



US00D815564S

(12) **United States Design Patent**
Gunnarson

(10) **Patent No.:** **US D815,564 S**
(45) **Date of Patent:** **** Apr. 17, 2018**

(54) **VEHICLE, TOY REPLICA AND/OR OTHER REPLICA**

(71) Applicant: **Volvo Car Corporation**, Gothenburg (SE)

(72) Inventor: **Anders Gunnarson**, Kullavik (SE)

(73) Assignee: **Volvo Car Corporation**, Gothenburg (SE)

(**) Term: **15 Years**

(21) Appl. No.: **29/583,120**

(22) Filed: **Nov. 2, 2016**

(30) **Foreign Application Priority Data**

May 3, 2016 (EM) 003107838

(51) **LOC (11) Cl.** **12-08**

(52) **U.S. Cl.**
USPC **D12/91**

(58) **Field of Classification Search**
USPC D12/86, 90-92, 88; D21/421, 433, 434;
296/181.1, 181.5
CPC B62D 35/00; B62D 25/00; B62D 25/06;
B62D 33/00
See application file for complete search history.

(56) **References Cited**

U.S. PATENT DOCUMENTS

D540,215 S *	4/2007	Date	D12/91
D559,737 S *	1/2008	Bischoff	D12/91
D579,823 S *	11/2008	Choi	D12/91
D687,739 S *	8/2013	Roura	D12/91
D688,978 S *	9/2013	Badstuebner	D12/91
D706,173 S *	6/2014	Seller Sirvent	D12/92
D710,256 S *	8/2014	Garand	D12/91
D711,779 S *	8/2014	Badstuebner	D12/91
D711,780 S *	8/2014	Badstuebner	D12/91

D711,781 S *	8/2014	Badstuebner	D12/91
D711,782 S *	8/2014	Witowski	D12/91
D711,783 S *	8/2014	Badstuebner	D12/91
D715,190 S *	10/2014	Garand	D12/91
D715,691 S *	10/2014	Badstuebner	D12/91
D719,064 S *	12/2014	Bischoff	D12/91
D730,777 S *	6/2015	Nurnberger	D12/92
D733,003 S *	6/2015	Bischoff	D12/91
D735,078 S *	7/2015	Tamiya	D12/91

(Continued)

Primary Examiner — Melody N Brown

(74) *Attorney, Agent, or Firm* — Snyder, Clark, Lesch & Chung, LLP

(57) **CLAIM**

The ornamental design of a vehicle, toy replica and/or other replica, as shown in the figures and described.

DESCRIPTION

FIG. 1 is a front perspective view of a vehicle, toy replica and/or other replica illustrating the design of the present invention;

FIG. 2 is a front view of the vehicle, toy replica and/or other replica of FIG. 1;

FIG. 3 is a right-side view of the vehicle, toy replica and/or other replica of FIG. 1;

FIG. 4 is a rear perspective of the vehicle, toy replica and/or other replica of FIG. 1;

FIG. 5 is a rear view of the vehicle, toy replica and/or other replica of FIG. 1;

FIG. 6 is a left-side view of the vehicle, toy replica and/or other replica of FIG. 1;

FIG. 7 is a top view of the of vehicle, toy replica and/or other replica of FIG. 1; and,

FIG. 8 is a bottom view of the vehicle, toy replica and/or other replica of FIG. 1.

In the figures, shading represents contour and not any particular color. Structure that is not part of the claimed design is represented in the figures by broken lines.

1 Claim, 8 Drawing Sheets



(56)

References Cited

U.S. PATENT DOCUMENTS

D737,175 S *	8/2015	Telaak	D12/92
D739,305 S *	9/2015	Gunnarson	D12/91
D756,849 S *	5/2016	Garcia Lopez	D12/92
D763,135 S *	8/2016	Baste	D12/91
D767,448 S *	9/2016	Leu	D12/92
D780,066 S *	2/2017	Sterner	D12/91
D798,193 S *	9/2017	Potter	D12/91

* cited by examiner

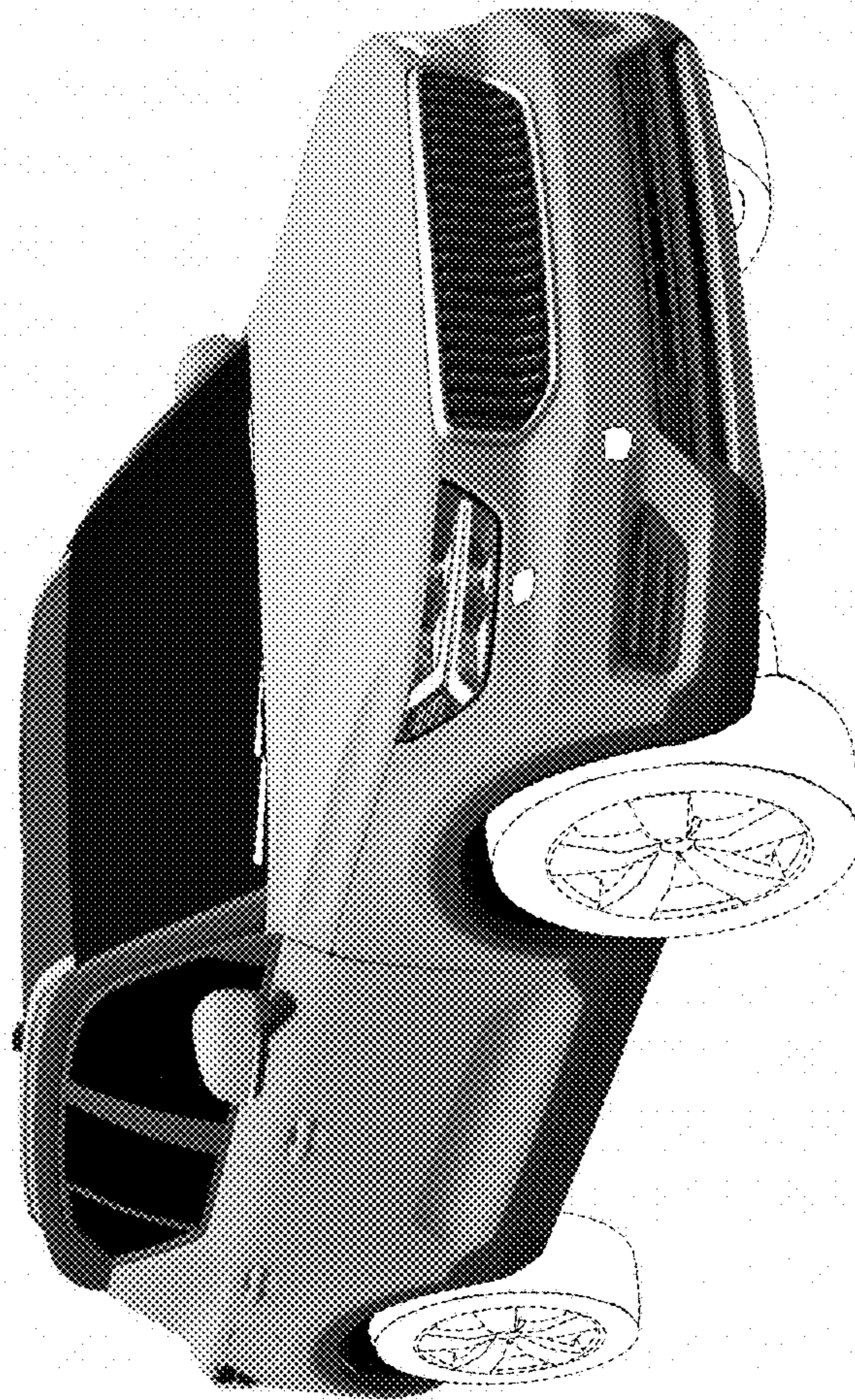


FIG. 1

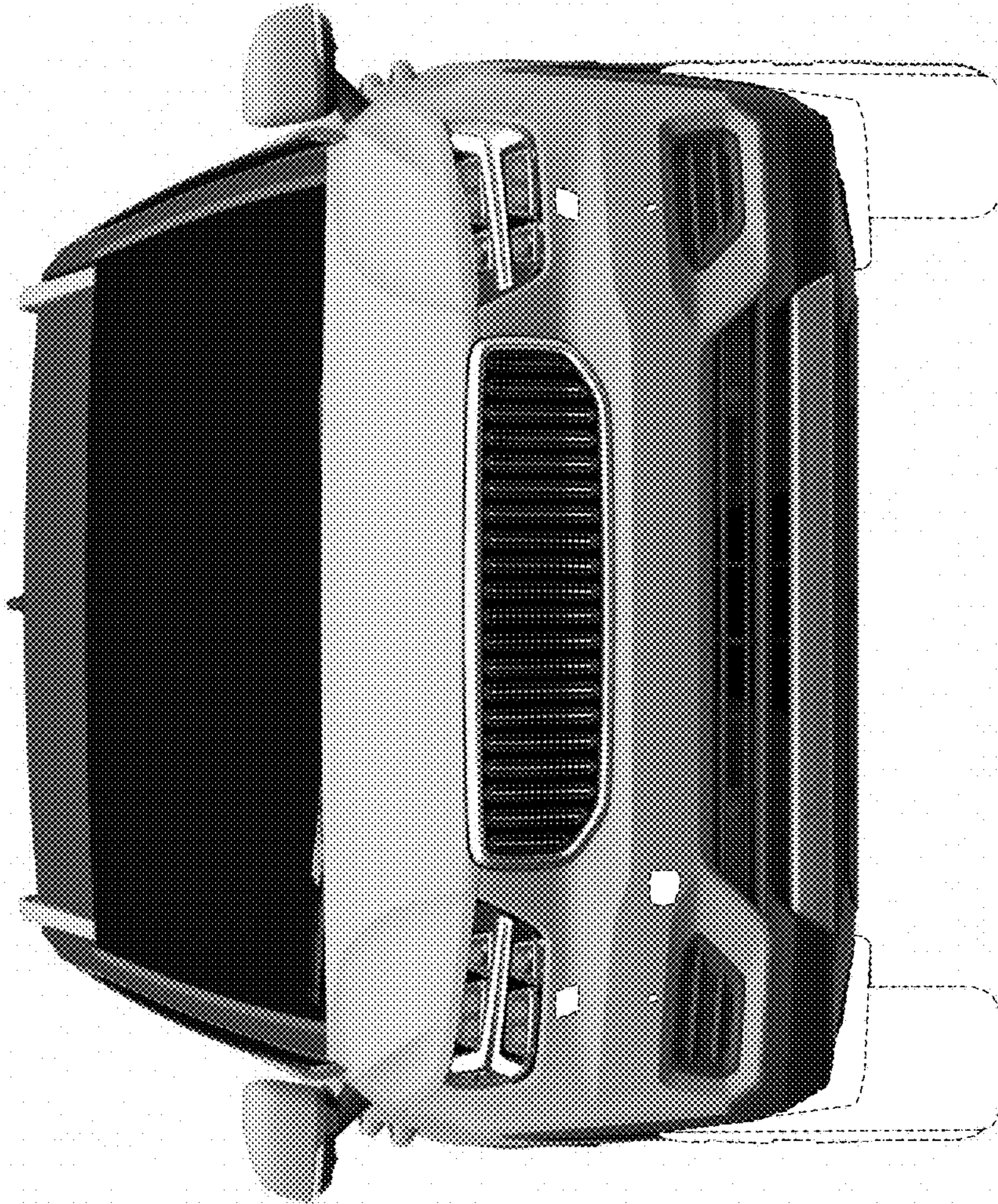


FIG. 2

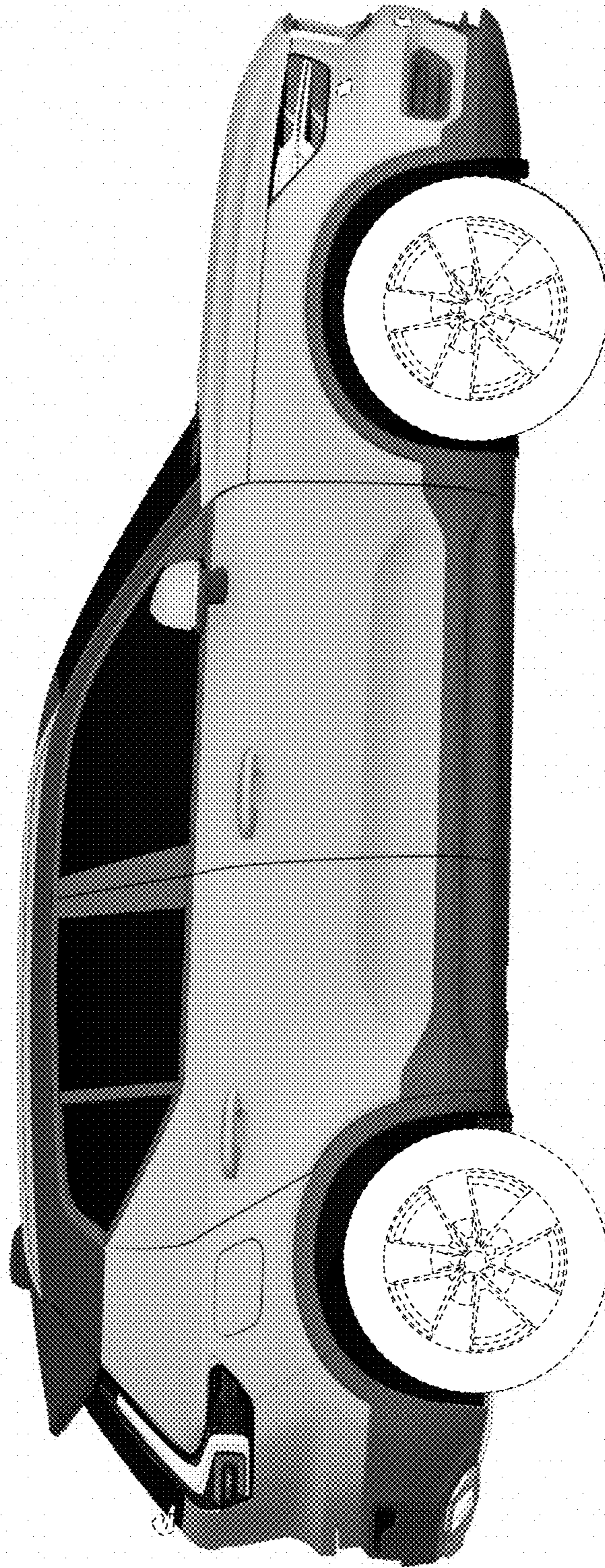


FIG. 3



FIG. 4

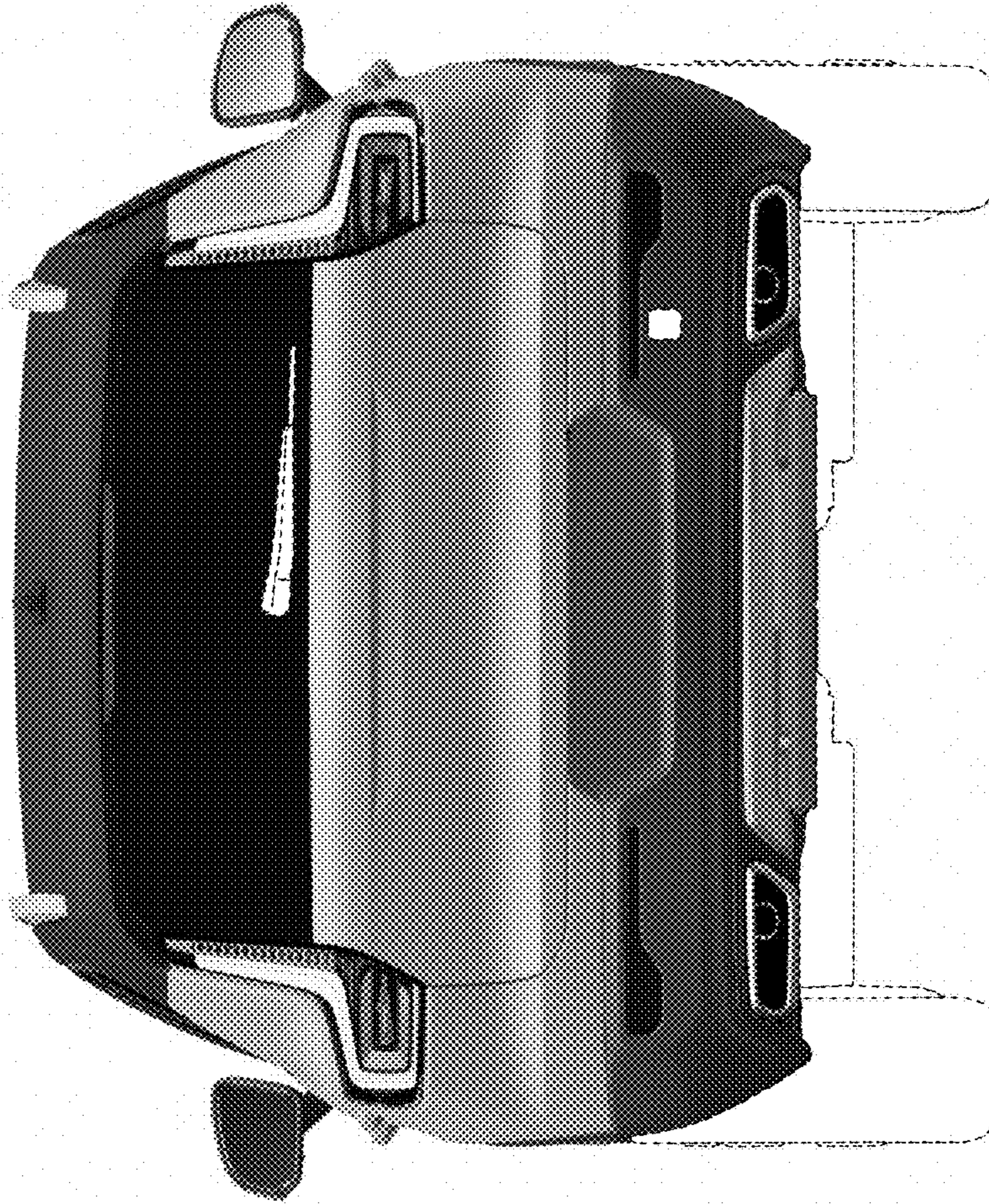


FIG. 5

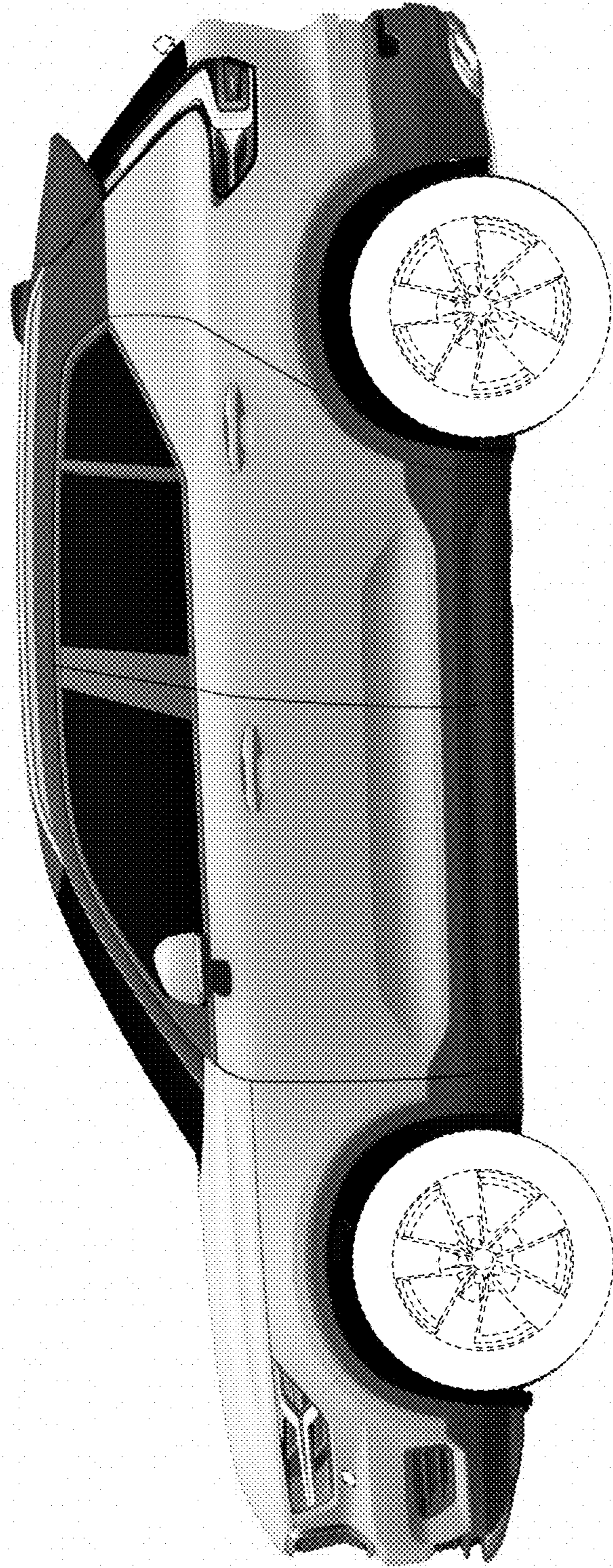


FIG. 6

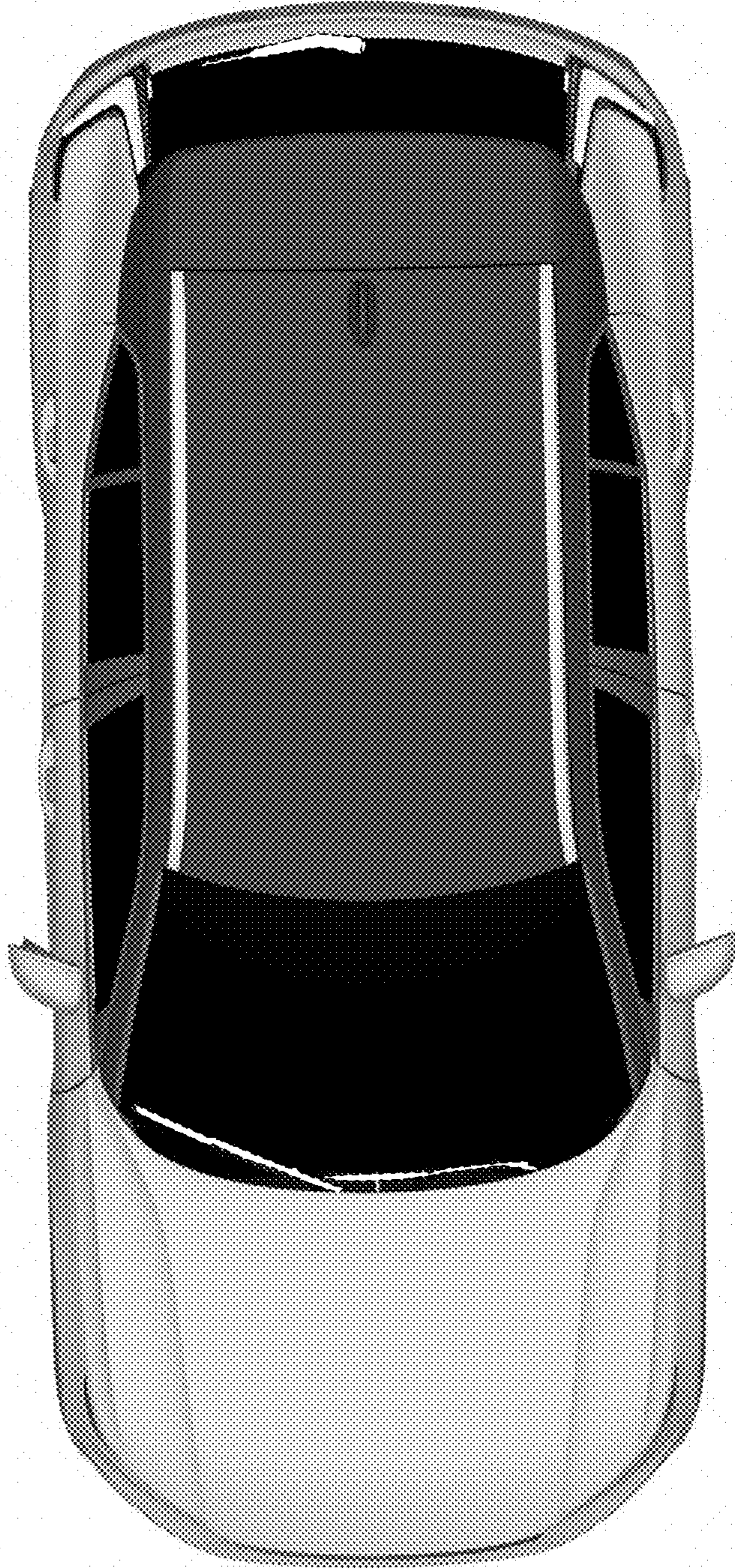


FIG. 7

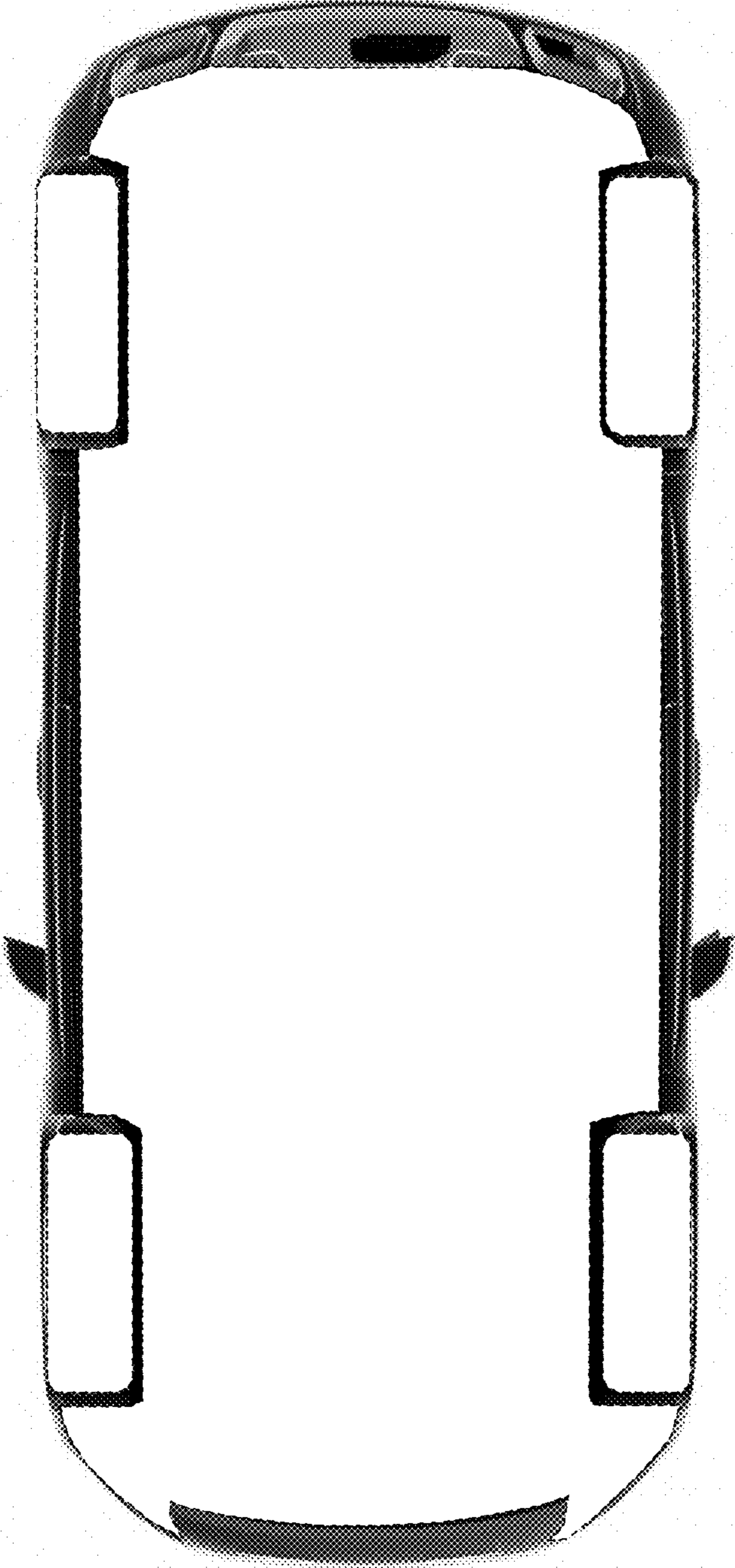


FIG. 8