



US00D815562S

(12) **United States Design Patent** (10) **Patent No.:** **US D815,562 S**  
**Schommer et al.** (45) **Date of Patent:** **\*\* Apr. 17, 2018**

- (54) **BUTTON AND BUCKLE ASSEMBLY** 4,292,692 A \* 10/1981 Moretti ..... A42B 3/145  
2/418
- (71) Applicants: **Richard Schommer**, Freedom, WI D434,344 S \* 11/2000 Nezu ..... D11/200  
(US); **Cynthia Schommer**, Freedom, WI (US) 6,711,787 B2 \* 3/2004 Jungkind ..... A43C 11/16  
24/68 SK
- (72) Inventors: **Richard Schommer**, Freedom, WI 6,966,102 B2 \* 11/2005 Shiue ..... A43C 11/14  
(US); **Cynthia Schommer**, Freedom, WI (US) 7,350,385 B1 \* 4/2008 Book ..... A44B 15/005  
206/37.5
- (\*\*) Term: **15 Years** 7,757,308 B2 7/2010 Oomae  
D639,707 S \* 6/2011 Caskey ..... D11/201  
8,235,321 B2 \* 8/2012 Chen ..... A43C 7/00  
24/68 SK
- (21) Appl. No.: **29/600,054** 2012/0096629 A1 4/2012 Swancutt et al.
- (22) Filed: **Apr. 10, 2017** 2012/0272433 A1 11/2012 Silver

\* cited by examiner

**Related U.S. Application Data**

- (63) Continuation of application No. 14/579,598, filed on Dec. 22, 2014.
- (51) **LOC (11) Cl.** ..... **02-07**
- (52) **U.S. Cl.**  
USPC ..... **D11/200**
- (58) **Field of Classification Search**  
USPC ..... D11/1-2, 200-201, 206-210, 214-218;  
24/163 R, 169-171, 173, 177-179, 191,  
24/194-195, 197, 200, 614-616, 625,  
24/198, 578.11, 578.1, 163 K, 114,  
24/68 SK, 578.13, 640; D2/853, 624  
CPC ..... A44B 11/26; A44B 11/25; A44B 11/06;  
A44B 11/266; A44B 11/04; A44B 11/01;  
A44B 11/001; A44B 11/10; A43C 11/14  
See application file for complete search history.

*Primary Examiner* — Ralf Seifert

(74) *Attorney, Agent, or Firm* — Aaron R. Cramer;  
Cramer Patent & Design, PLLC

(57) **CLAIM**

The ornamental design for a button and buckle assembly, as shown and described.

**DESCRIPTION**

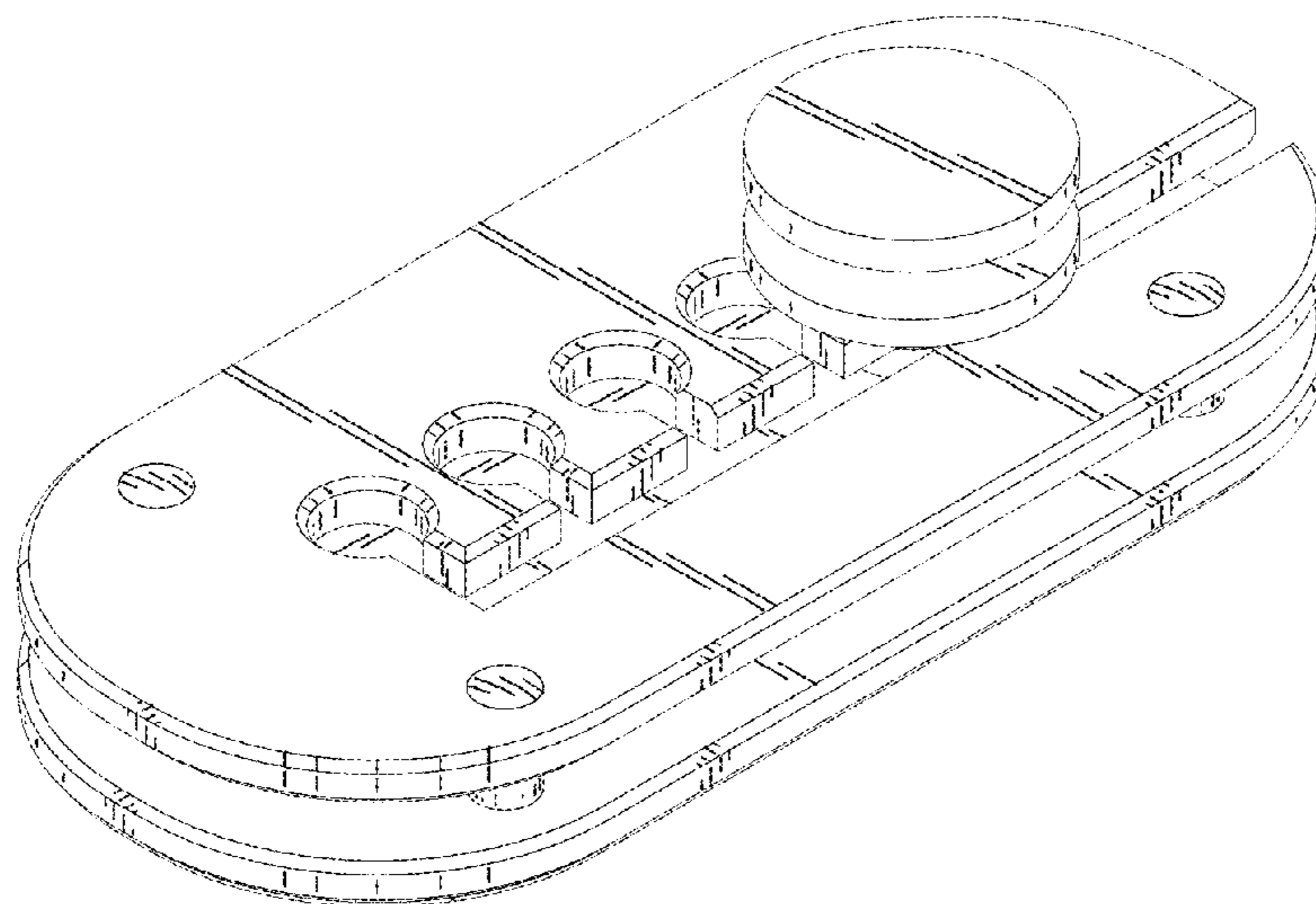
FIG. 1 is a perspective top front left view of a button and buckle assembly with the button engaged with the buckle, showing our new design;  
 FIG. 2 is a perspective top front left view of a button and buckle assembly with the button disengaged from the buckle;  
 FIG. 3 is a perspective bottom rear right view thereof;  
 FIG. 4 is a front elevation view thereof;  
 FIG. 5 is a rear elevation view thereof;  
 FIG. 6 is a left elevation view thereof;  
 FIG. 7 is a right elevation view thereof;  
 FIG. 8 is a top plan view thereof; and,  
 FIG. 9 is a bottom plan view thereof.

(56) **References Cited**

**U.S. PATENT DOCUMENTS**

- 2,583,992 A 1/1952 Bouteloup
- 2,674,742 A 4/1954 Cantil
- 3,296,667 A \* 1/1967 Streule ..... A43C 11/14  
24/105

**1 Claim, 9 Drawing Sheets**



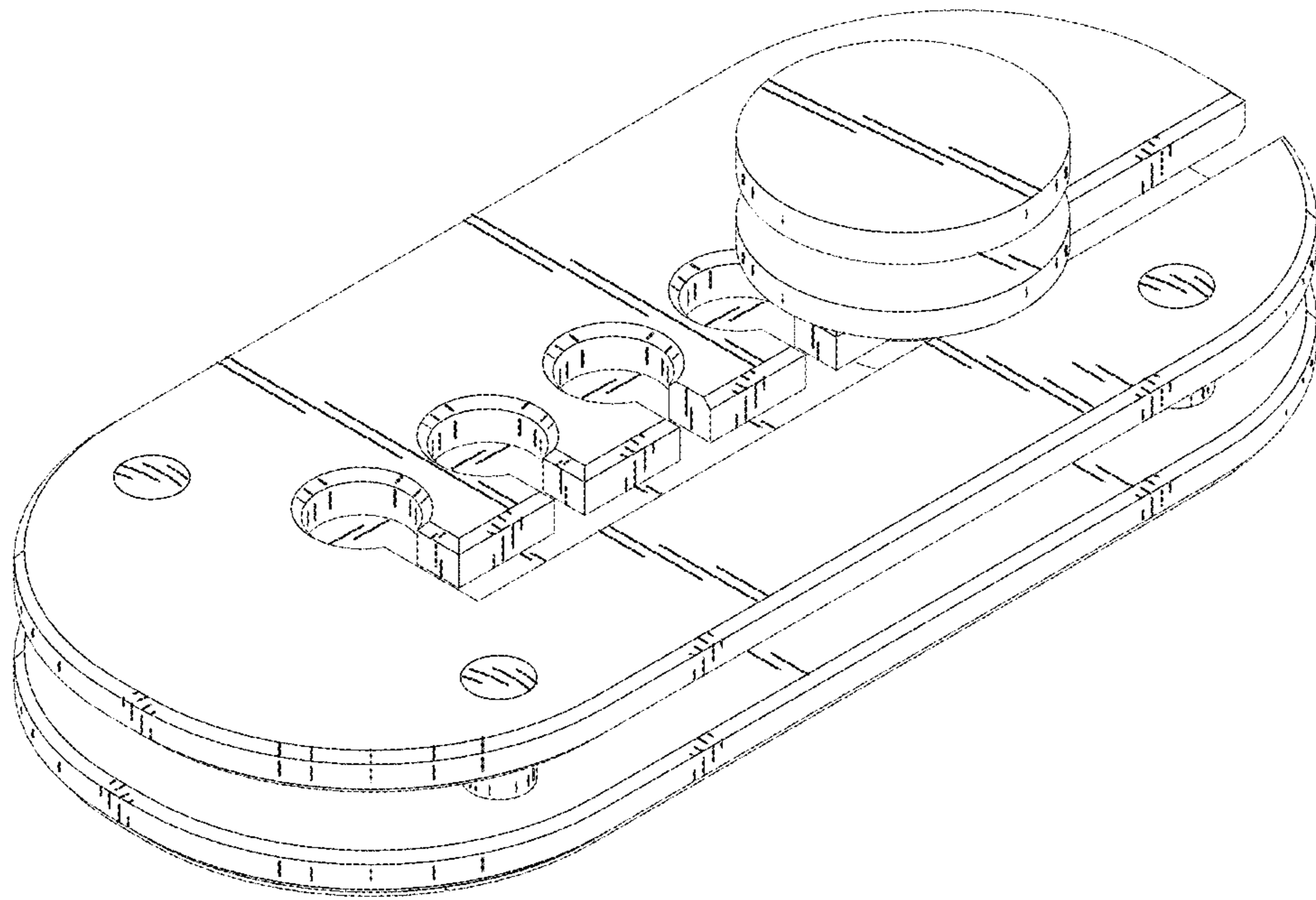


FIG. 1

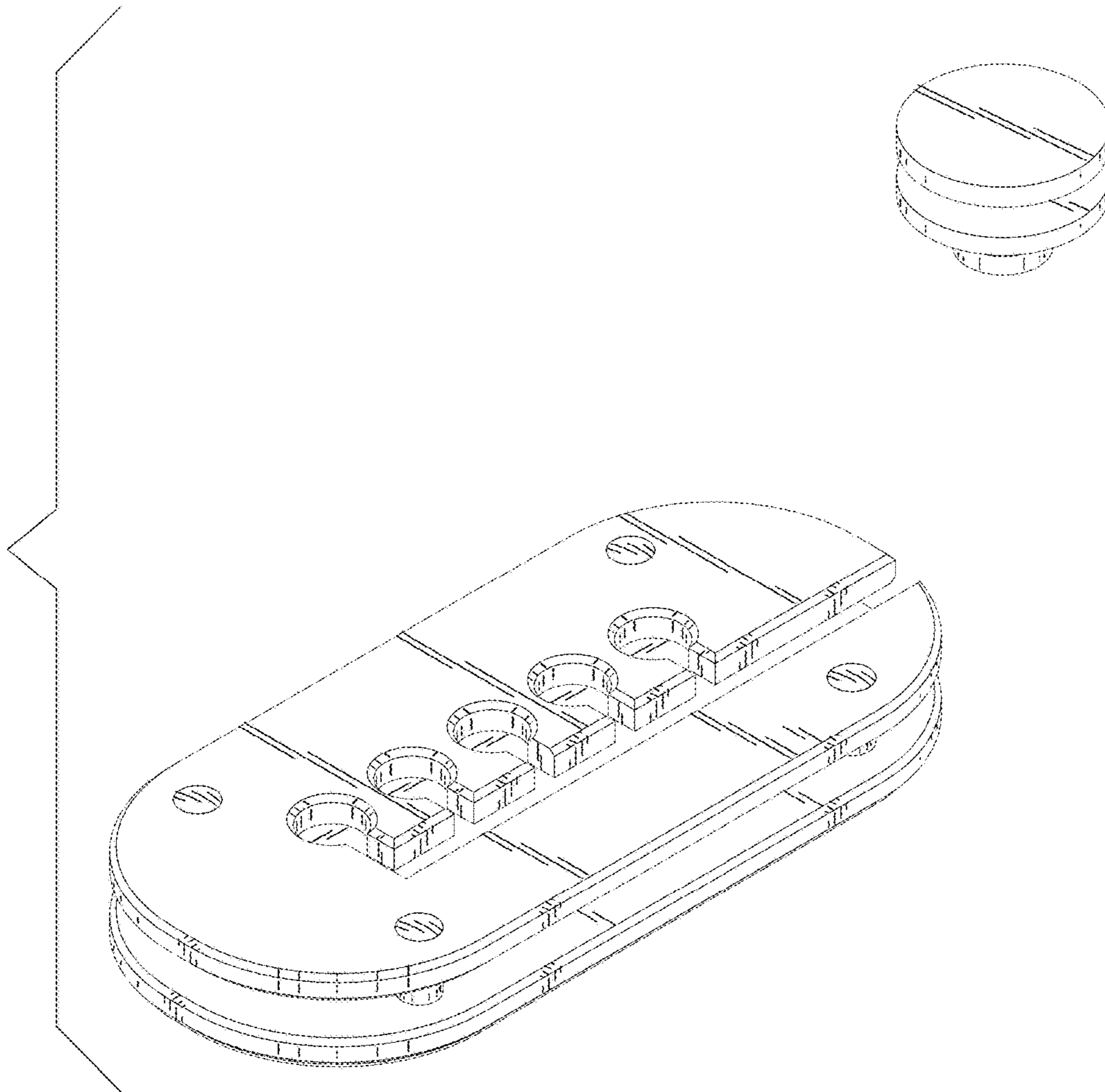


FIG. 2

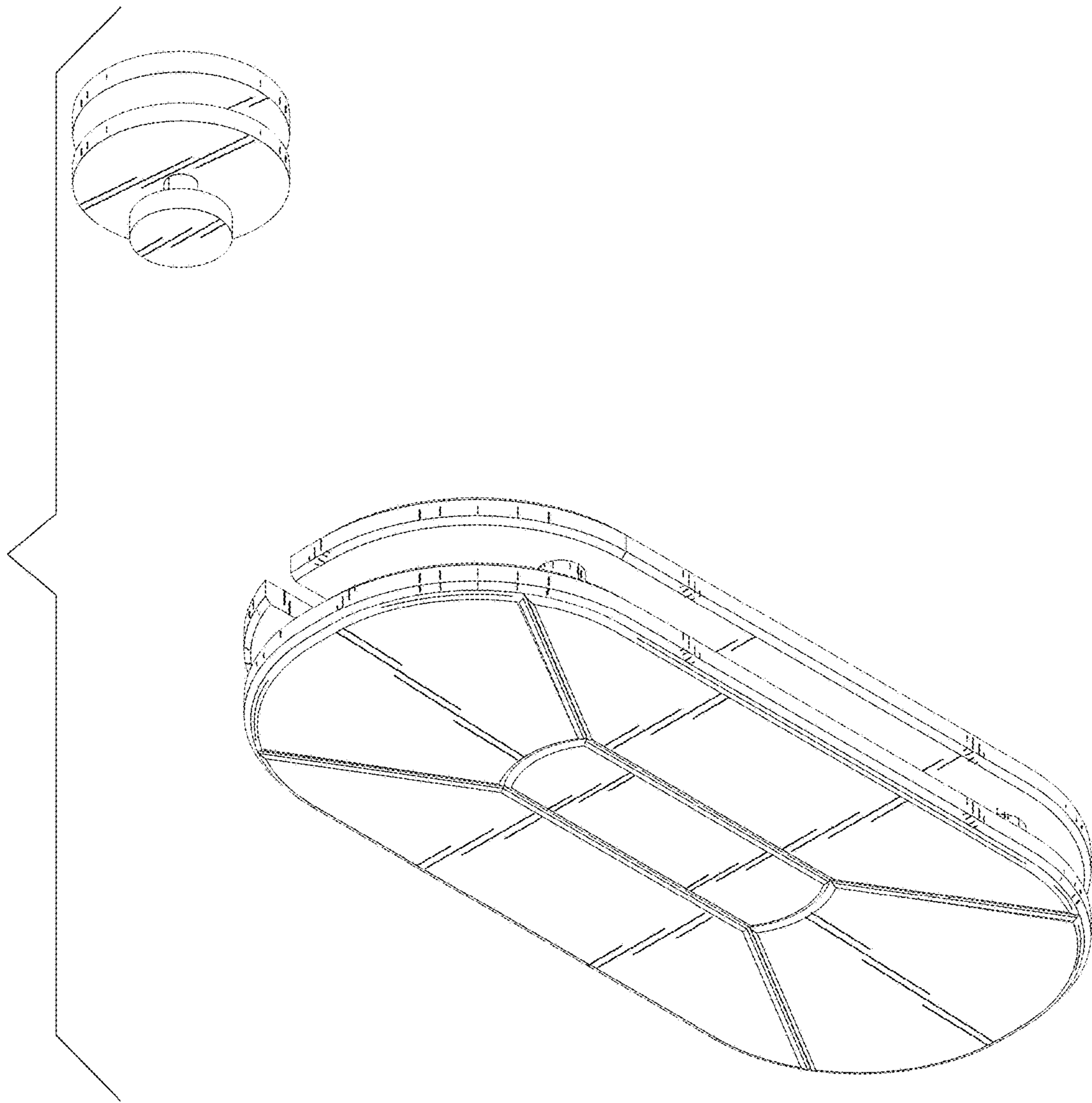


FIG. 3

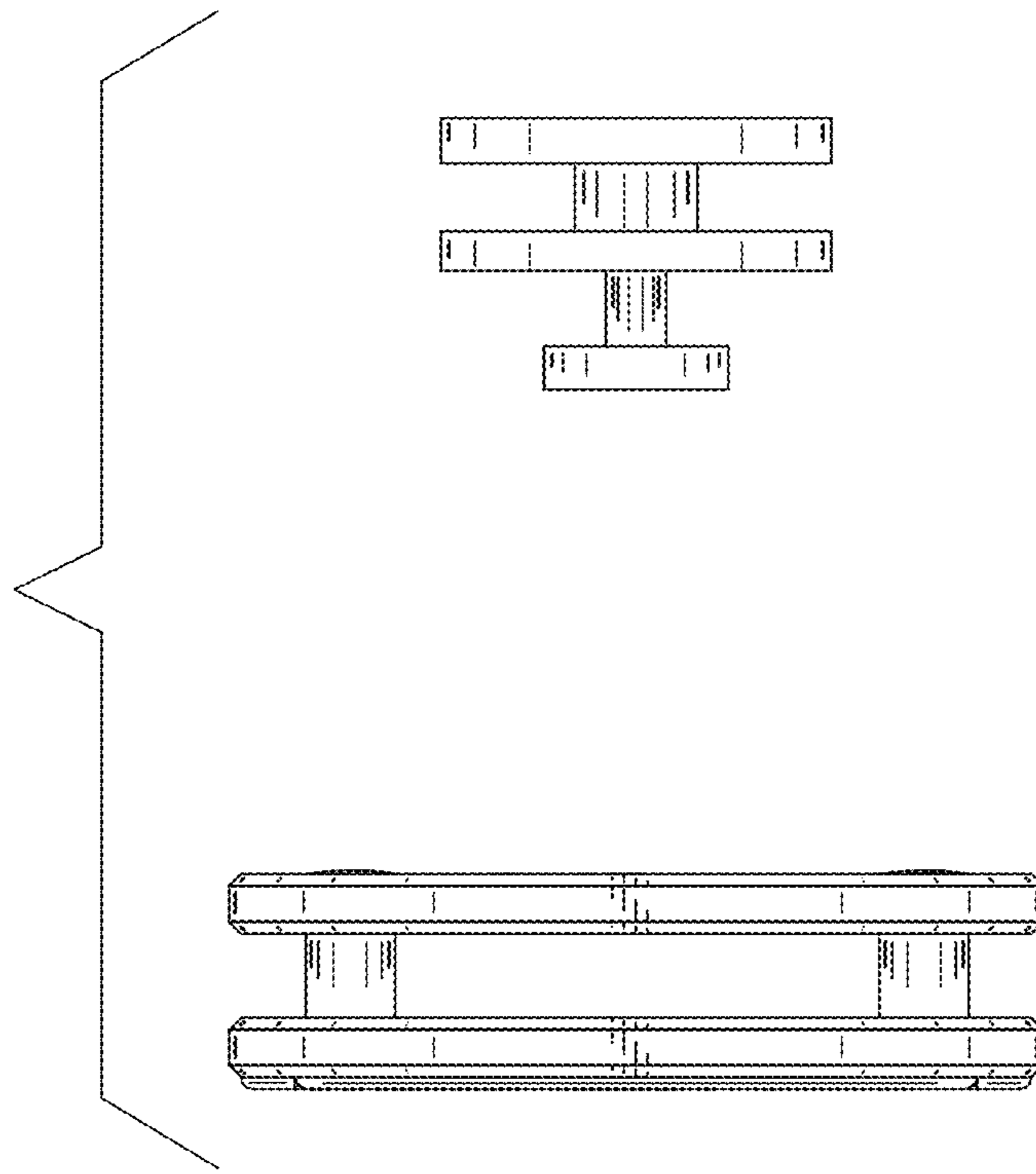


FIG. 4



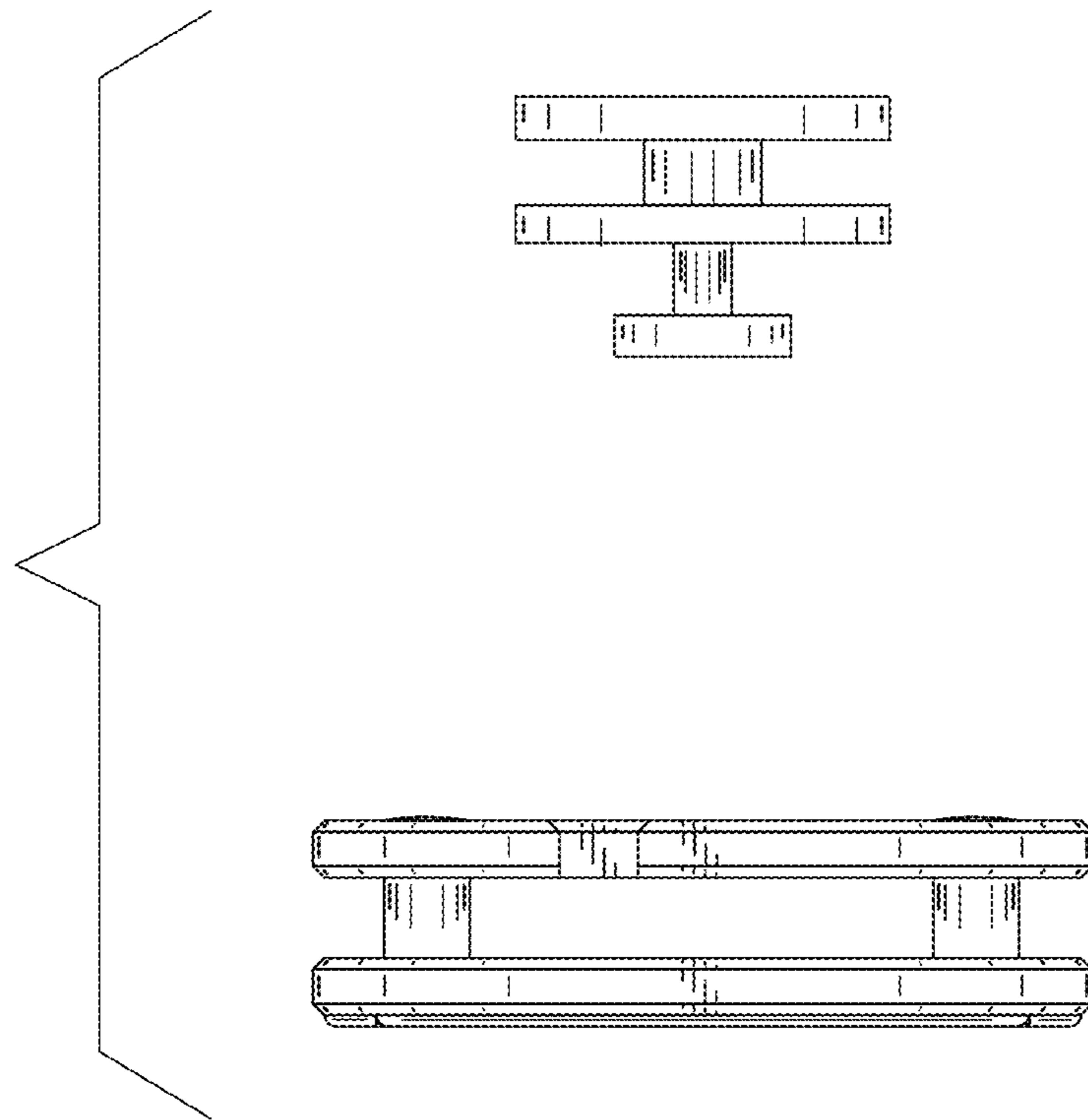


FIG. 5

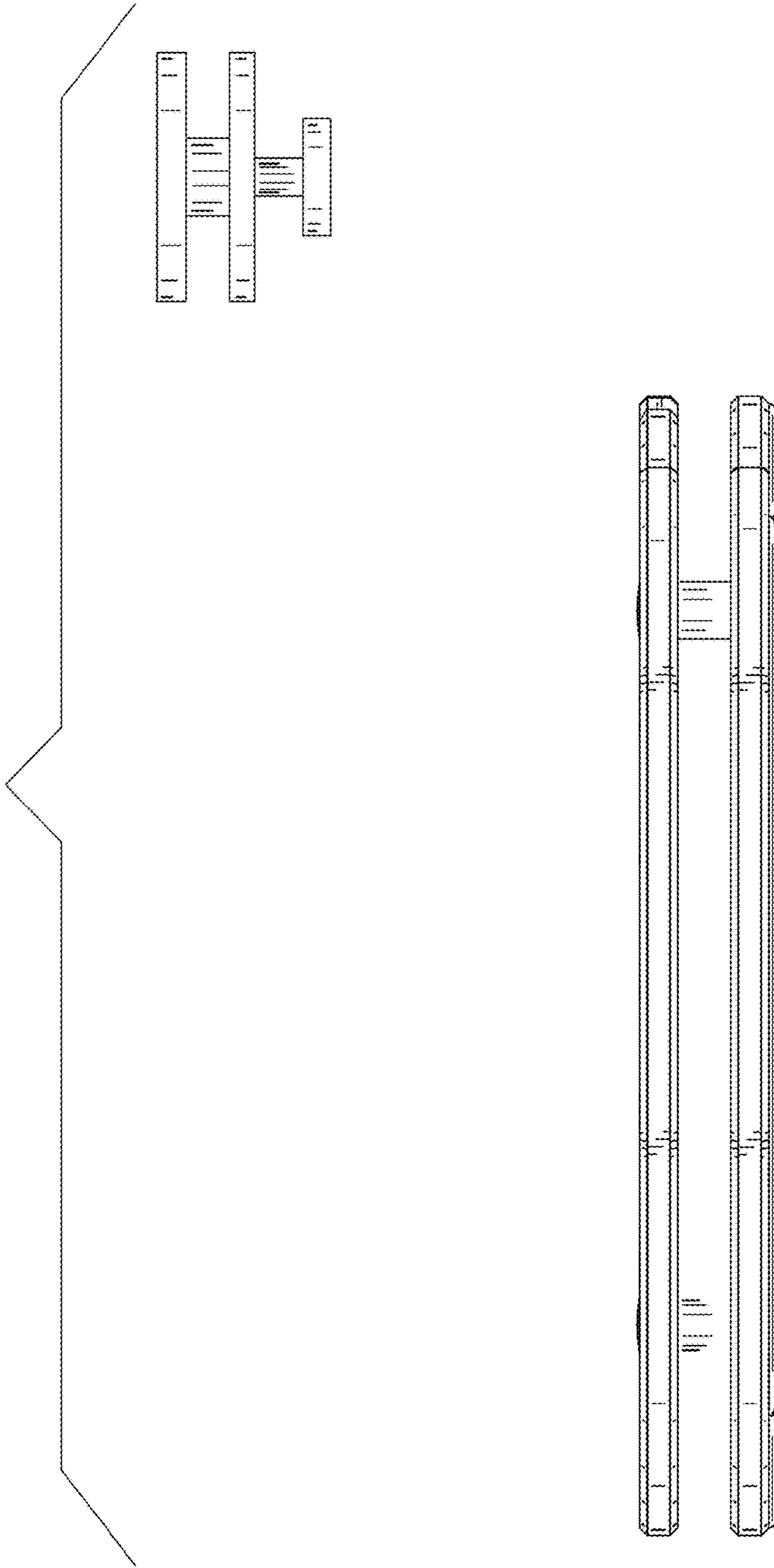


FIG. 6

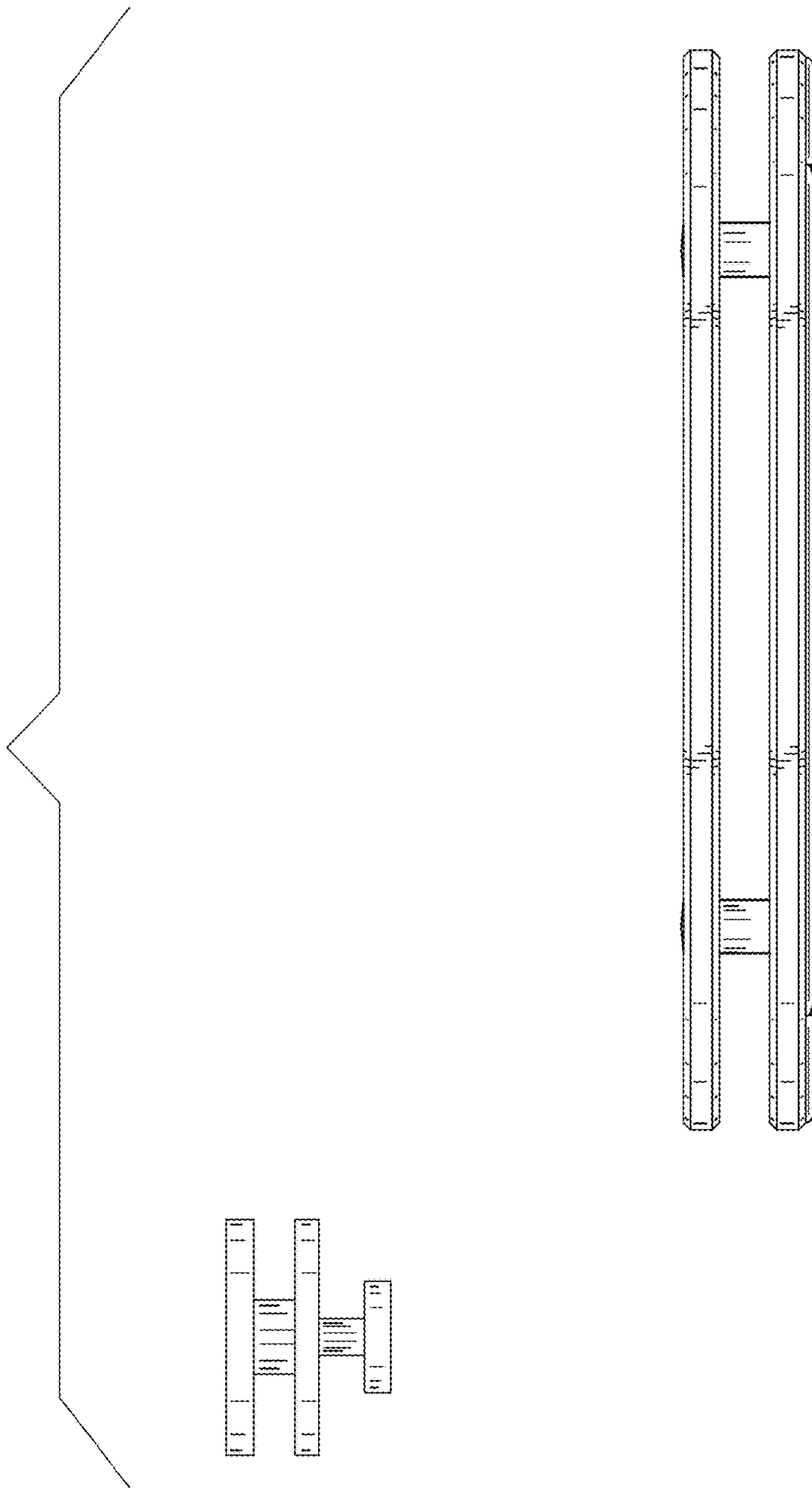


FIG. 7



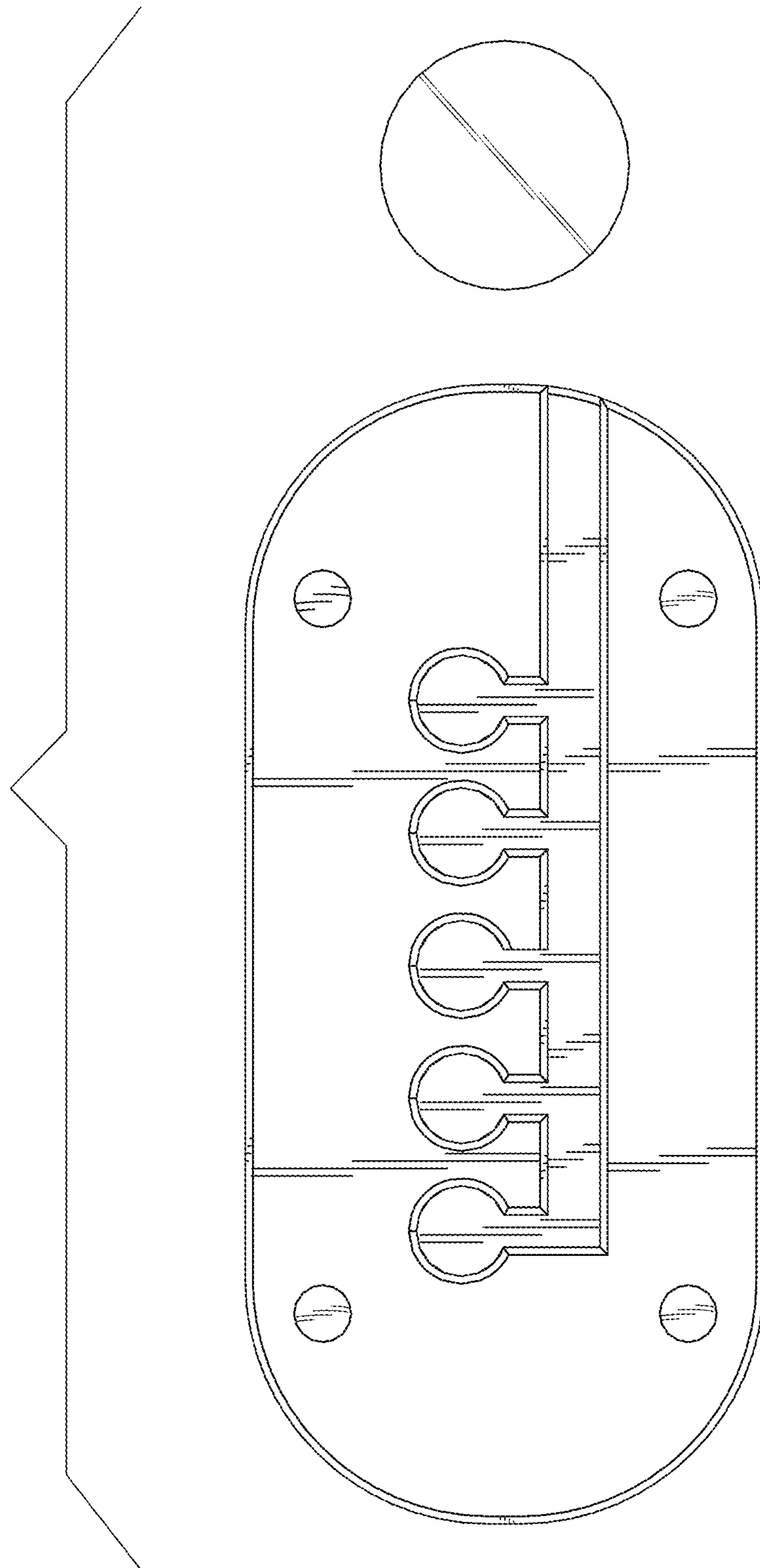


FIG. 8

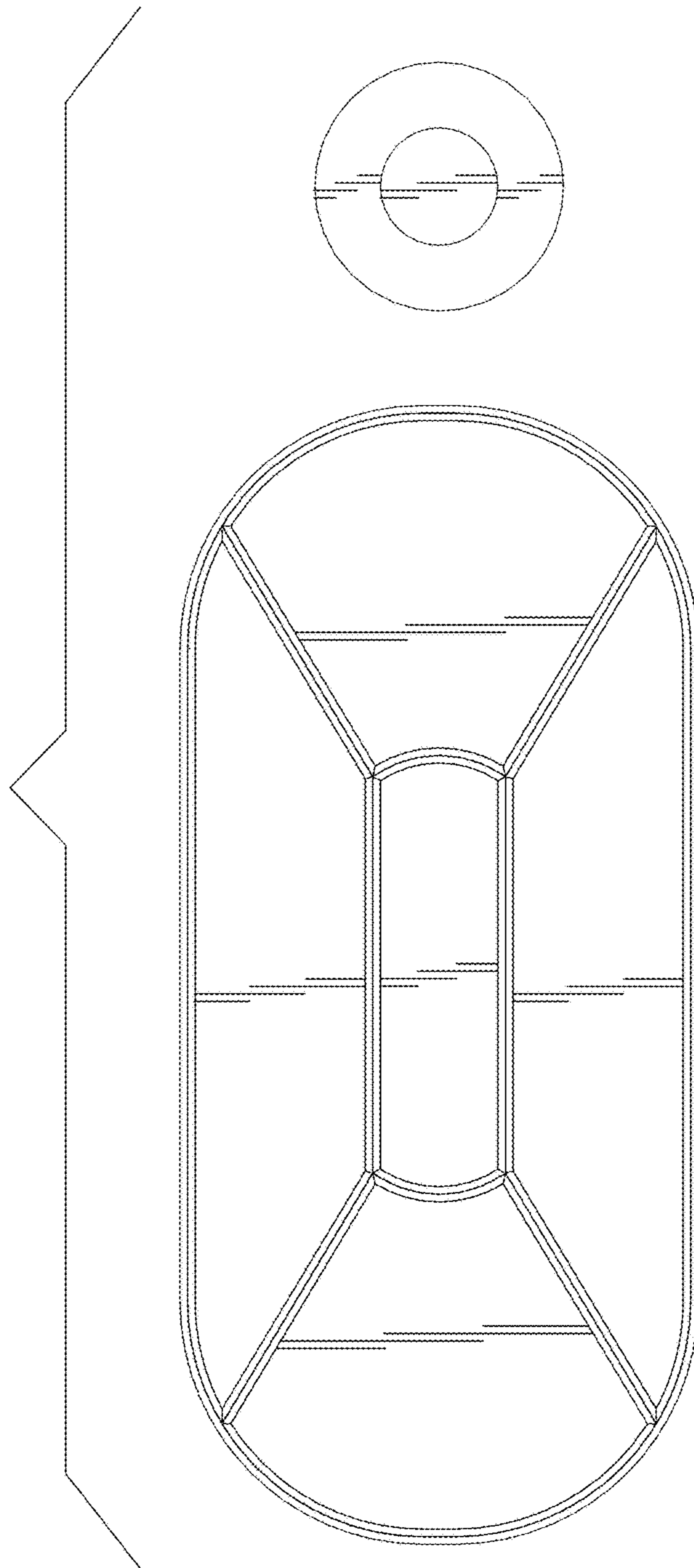


FIG. 9