



US00D815561S

(12) **United States Design Patent**  
**Fulop**

(10) **Patent No.:** **US D815,561 S**  
(45) **Date of Patent:** **\*\* Apr. 17, 2018**

(54) **BELT BUCKLE**

(71) Applicant: **Marino Avenue Inc.**, Brooklyn, NY (US)

(72) Inventor: **Isaac Fulop**, Brooklyn, NY (US)

(73) Assignee: **MARINO AVENUE INC.**, Brooklyn, NY (US)

(\*\*) Term: **15 Years**

(21) Appl. No.: **29/584,339**

(22) Filed: **Nov. 14, 2016**

(51) **LOC (11) Cl.** ..... **02-07**

(52) **U.S. Cl.**  
USPC ..... **D11/200**

(58) **Field of Classification Search**  
USPC ..... D11/200–219, 1–2; 24/163 R, 169–171, 24/173, 177–179, 191, 194–195, 197, 24/200, 614–616, 625, 198, 630, 578.1, 24/163 K, 114; D8/16–20, 45, 105, 349, D8/363, 366, 370–377, 380–382, 356, D8/358, 359, 395, 578; D2/639; D3/24; D15/16; 242/118.7, 542.4, 160.4, 366, 242/400, 370, 400.1; D10/61, 62; 33/414, 413  
CPC ..... A44B 11/26; A44B 11/25; A44B 11/06; A45F 2200/0575; G01B 5/18; H02G 11/02; B65H 75/4476; B65H 2701/353; B65H 75/241; B65H 75/28; E04G 21/1825

See application file for complete search history.

(56) **References Cited**

**U.S. PATENT DOCUMENTS**

- 1,555,764 A \* 9/1925 Slote ..... A44B 11/2588  
24/614
- 2,855,650 A \* 10/1958 Cohen ..... A44B 11/06  
24/168
- 3,882,617 A \* 5/1975 Gagner ..... A44B 11/001  
24/163 K

(Continued)

**FOREIGN PATENT DOCUMENTS**

DE 29710677 U \* 11/1997 ..... A44B 11/00

**OTHER PUBLICATIONS**

Marino Avenue Men's Genuine Leather Ratchet Dress Belt, IslandPhotography.co.uk, [online], [site visited Nov. 7, 2017]. <URL: <http://www.islandphotography.co.uk/marino-avenue-marino-men-s-genuine-leather-ratchet-dress-belt-with-automatic-buckle-enclosed-in-an-elegant-gift-box-gxnc3gp3w>> (Year: 2017).\*

(Continued)

*Primary Examiner* — T. Chase Nelson

*Assistant Examiner* — Jonathan J. Han

(74) *Attorney, Agent, or Firm* — Amster, Rothstein & Ebenstein LLP

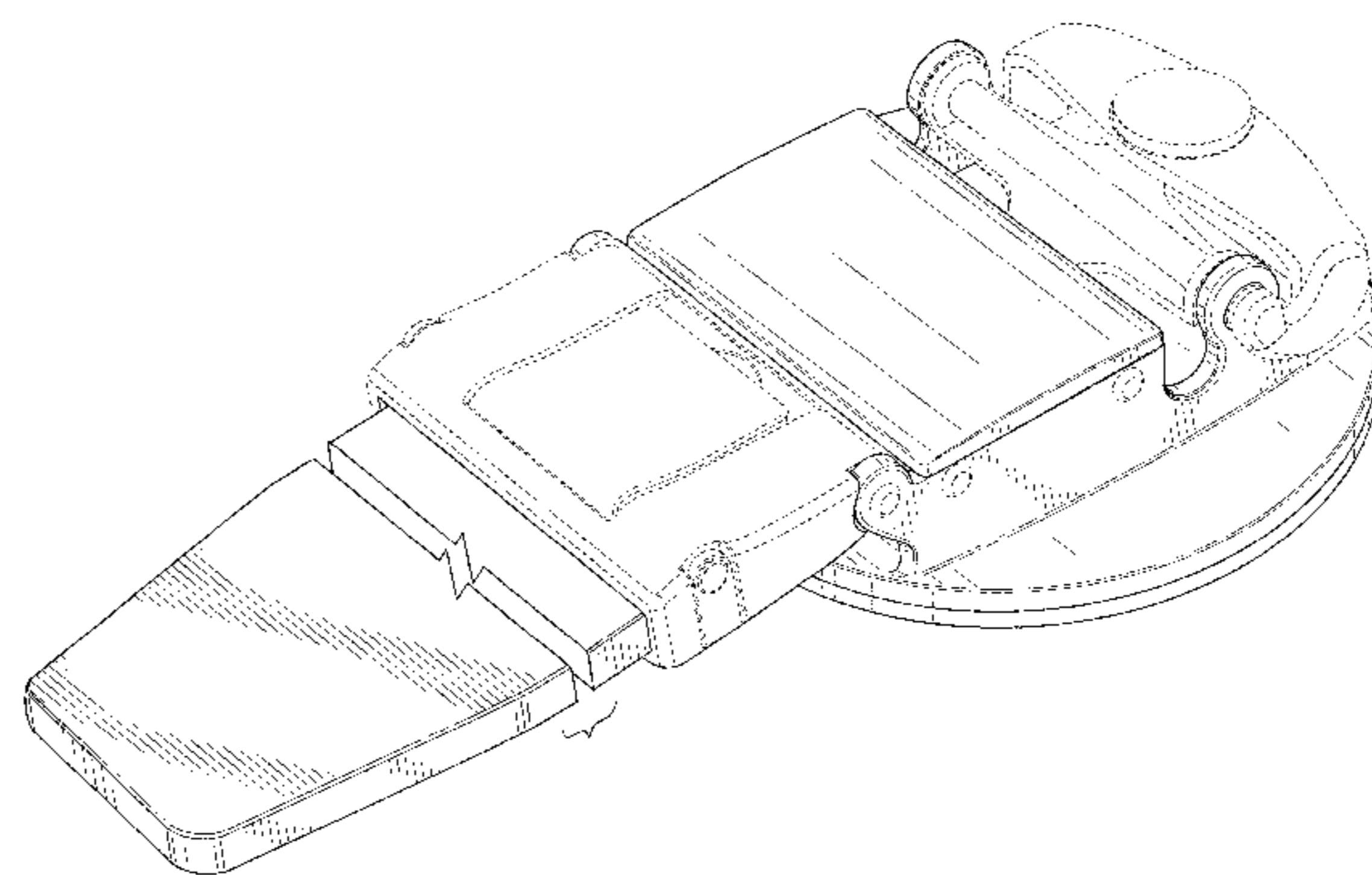
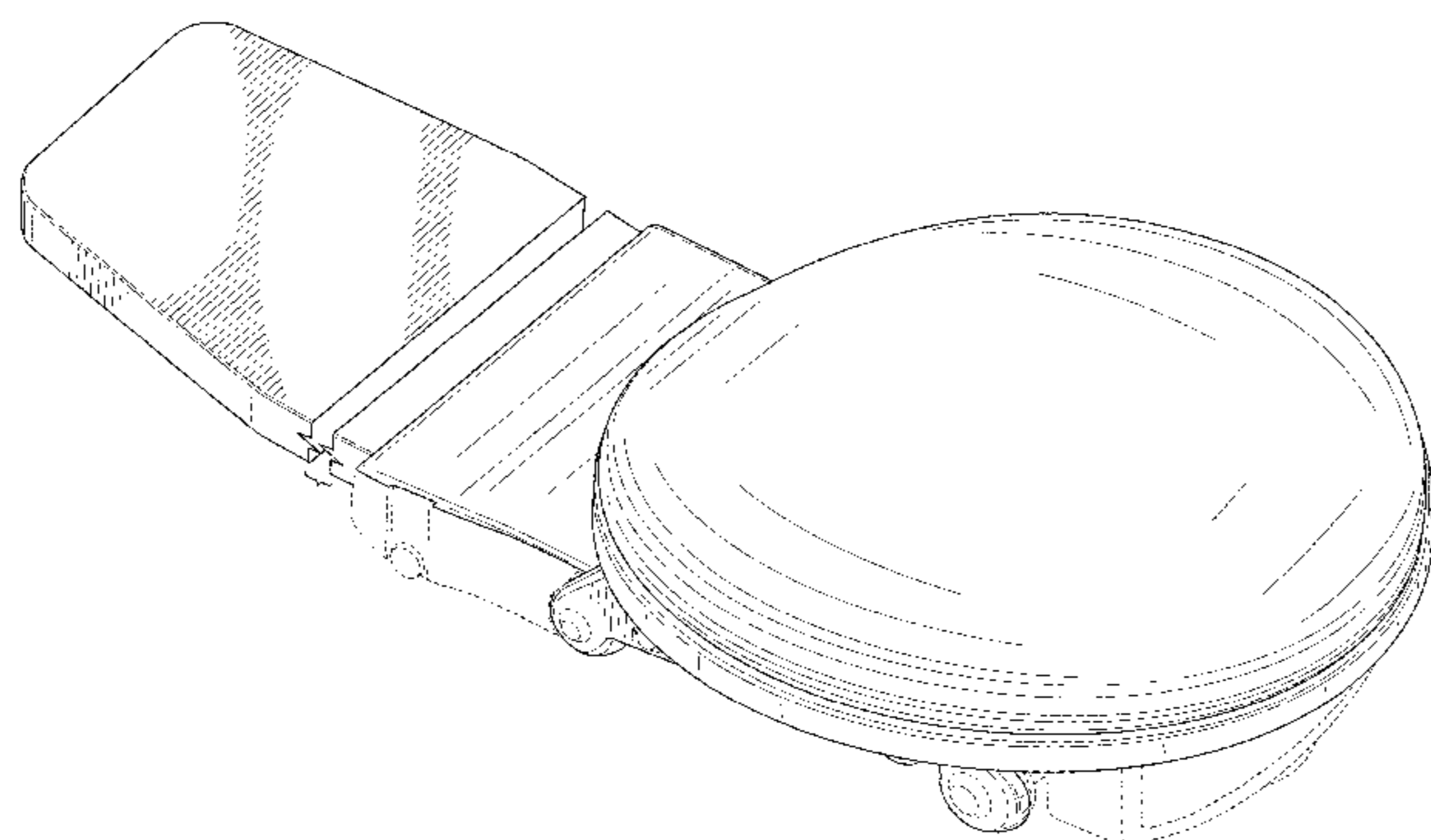
(57) **CLAIM**

The ornamental design for a belt buckle, as shown and described.

**DESCRIPTION**

FIG. 1 is a top perspective view of the belt buckle showing the present design.  
FIG. 2 is bottom perspective view thereof.  
FIG. 3 is a bottom plan view thereof.  
FIG. 4 is a top plan view thereof.  
FIG. 5 is a right side view thereof.  
FIG. 6 is a left side view thereof.  
FIG. 7 is a front view thereof; and,  
FIG. 8 is a rear view thereof.  
The portions of the design shown in broken lines are for the purpose of illustrating environment only and form no part of the claimed design. The pairs of break lines in the drawings indicate that any portion of the belt buckle between the break lines form no part of the claimed design.

**1 Claim, 7 Drawing Sheets**



(56)

References Cited

U.S. PATENT DOCUMENTS

4,377,939 A \* 3/1983 Reinsdorf ..... A44B 11/001  
 24/163 K  
 D287,187 S \* 12/1986 Olson ..... D11/218  
 D289,865 S \* 5/1987 Rosenwein ..... D11/222  
 4,665,591 A \* 5/1987 Servay ..... A44B 11/001  
 24/113 MP  
 4,972,557 A \* 11/1990 Williams ..... A44B 11/005  
 224/163  
 5,105,511 A \* 4/1992 Shahin ..... A44B 11/04  
 24/163 K  
 5,106,004 A \* 4/1992 Nguyen ..... A41F 9/002  
 224/152  
 D332,585 S \* 1/1993 Olson ..... D11/200  
 D340,679 S \* 10/1993 Chen ..... D11/232  
 5,282,297 A \* 2/1994 Angus ..... A44B 11/001  
 24/163 K  
 D348,420 S \* 7/1994 Edsall ..... D11/200  
 5,410,780 A \* 5/1995 Silagy ..... A44B 11/02  
 24/163 K  
 D360,168 S \* 7/1995 Kelleghan ..... D11/216  
 D448,323 S \* 9/2001 Enneguess ..... D11/232  
 D454,317 S \* 3/2002 Enneguess, III ..... D11/232  
 6,360,391 B1 \* 3/2002 Goodall ..... A44B 11/005  
 224/163  
 D463,757 S \* 10/2002 Enneguess, III ..... D11/232

D567,709 S \* 4/2008 Cho ..... D11/216  
 D623,986 S \* 9/2010 Krakoff ..... D11/200  
 D632,612 S \* 2/2011 Shani ..... D11/216  
 D676,358 S \* 2/2013 Zieger ..... D11/231  
 D676,618 S \* 2/2013 Kalbach ..... D30/152  
 D705,696 S \* 5/2014 Hicks, Jr. .... D11/201  
 D727,204 S \* 4/2015 Laatz ..... D11/216  
 D748,012 S \* 1/2016 Laatz ..... D11/216  
 D748,532 S \* 2/2016 Ricci ..... D11/230  
 D776,568 S \* 1/2017 Taylor ..... D11/216  
 D785,500 S \* 5/2017 Ricci ..... D11/233

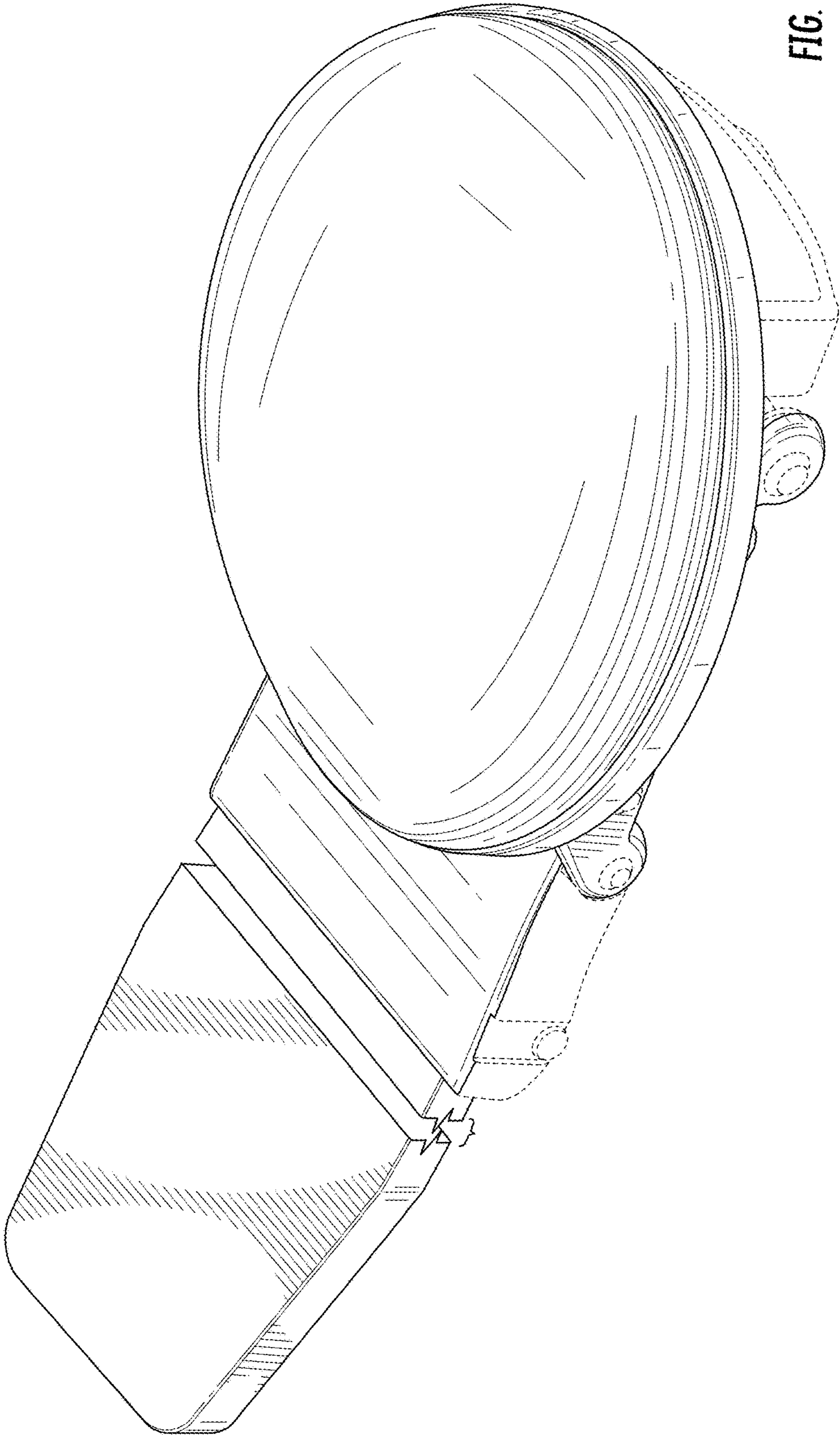
OTHER PUBLICATIONS

Seablue and Green Round Fused Glass Belt Buckle, CustomMade.com, [online], [site visited Nov. 7, 2017]. <URL: <https://www.custommade.com/seablue-and-green-round-fused-glass-belt-buckle/by/avalglassart/>> (Year: 2017).\*

40mm Round Black (solid brass) Belt Buckle, BuckleBox.co.uk, [online], [site visited Nov. 7, 2017]. <URL: <https://www.bucklebox.co.uk/40mm-round-blank-solid-brass-belt-buckle-outer-diameter-60mm--display-stand-product-code-hk5-1177-p.asp>> (Year: 2017).\*

Mission Belt Co., "Automatic Belt", Aug. 12, 2012, [online] <<https://missionbelt.com/blogs/mbco/15865008-automatic-belt>>, retrieved Nov. 11, 2016.

\* cited by examiner



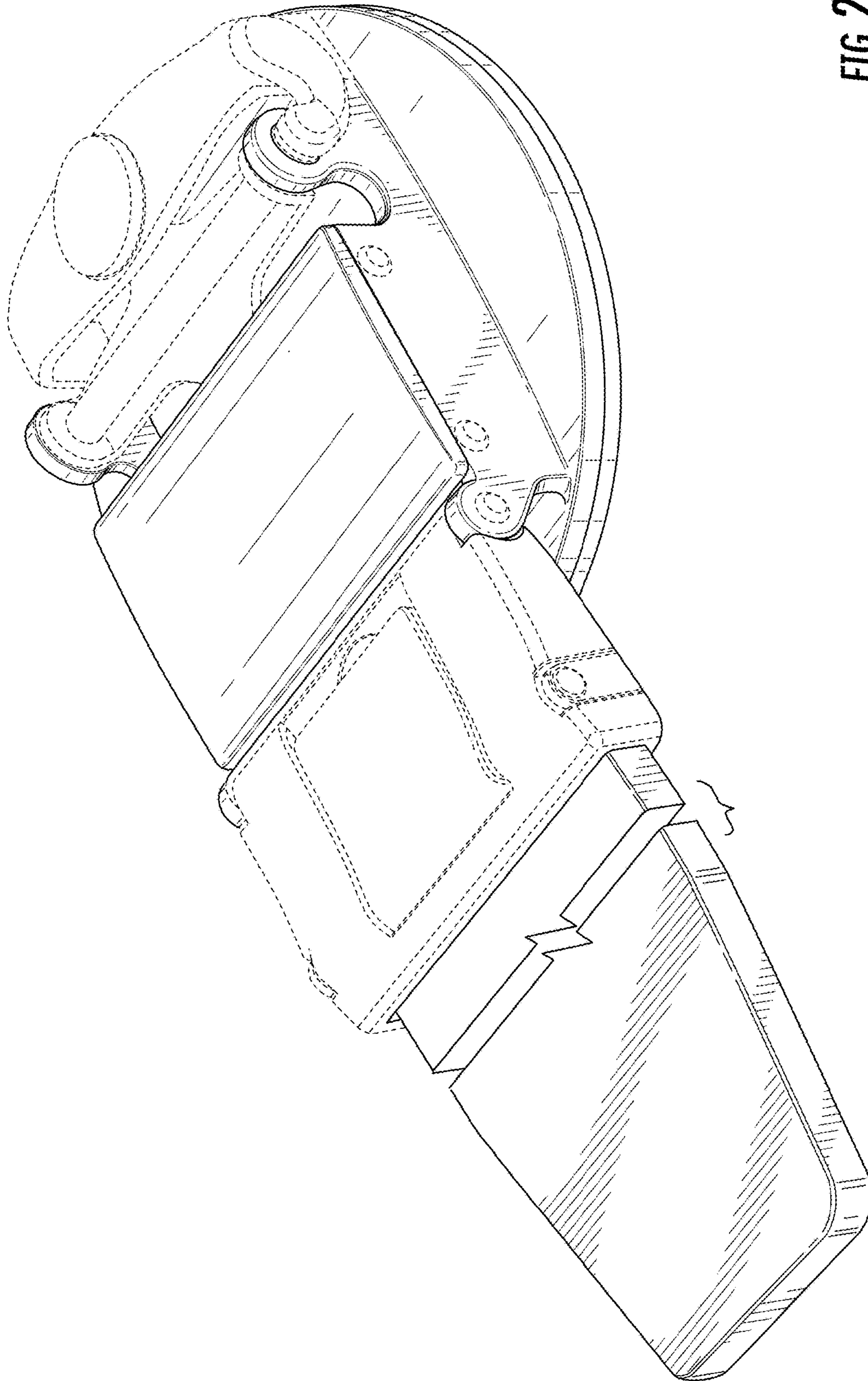


FIG. 2

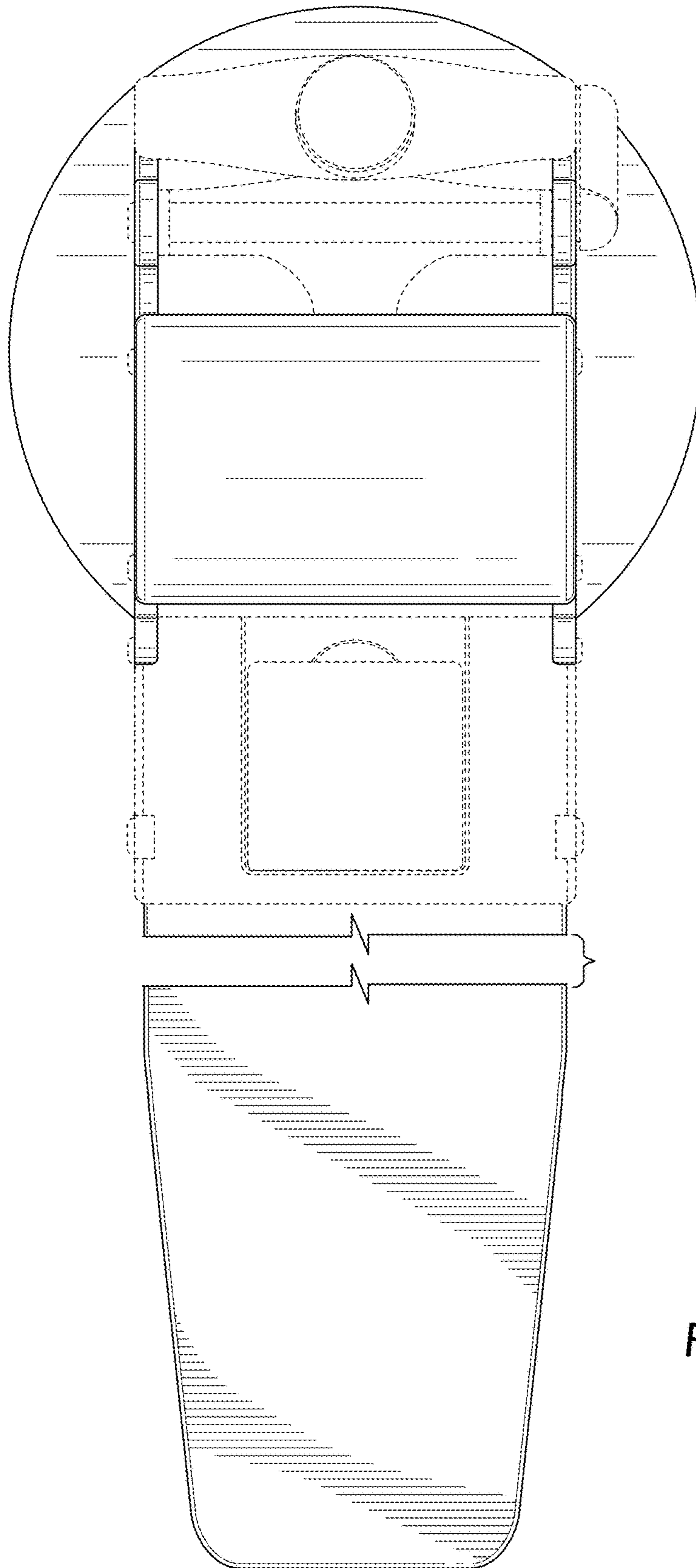


FIG. 3

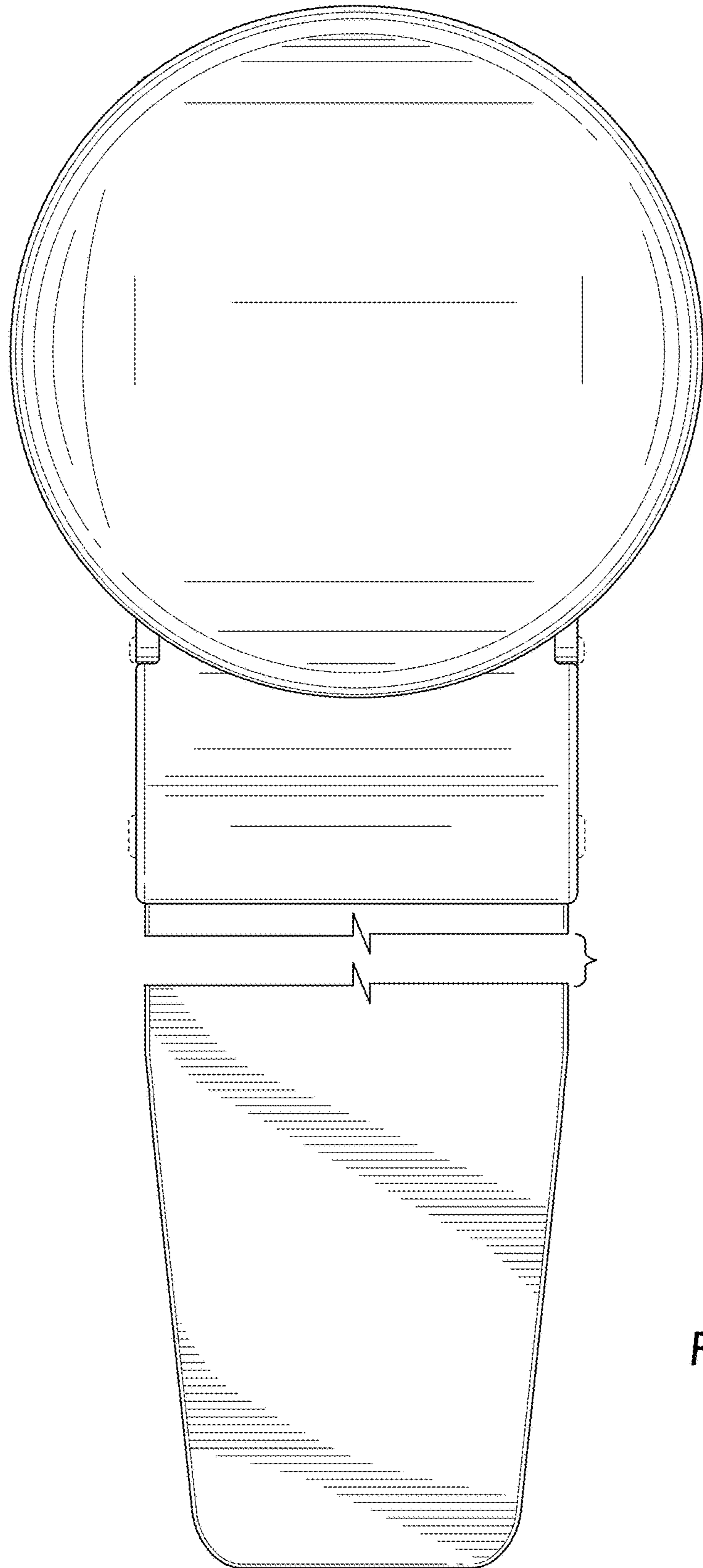


FIG. 4

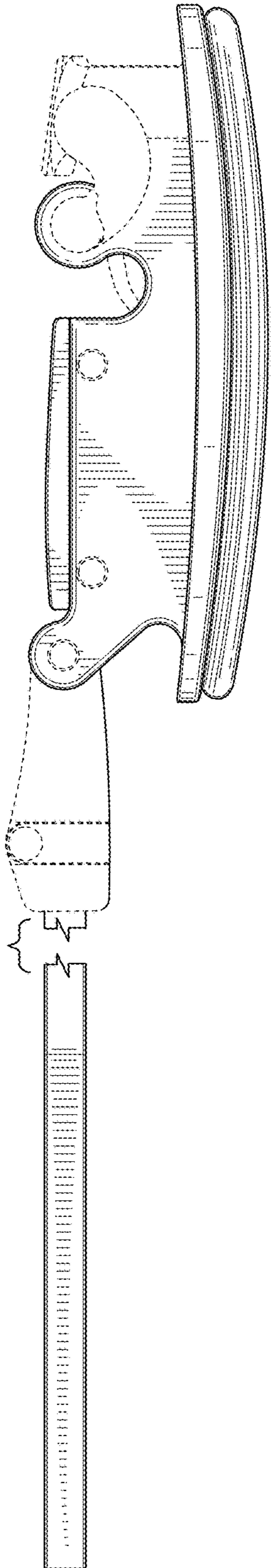


FIG. 5

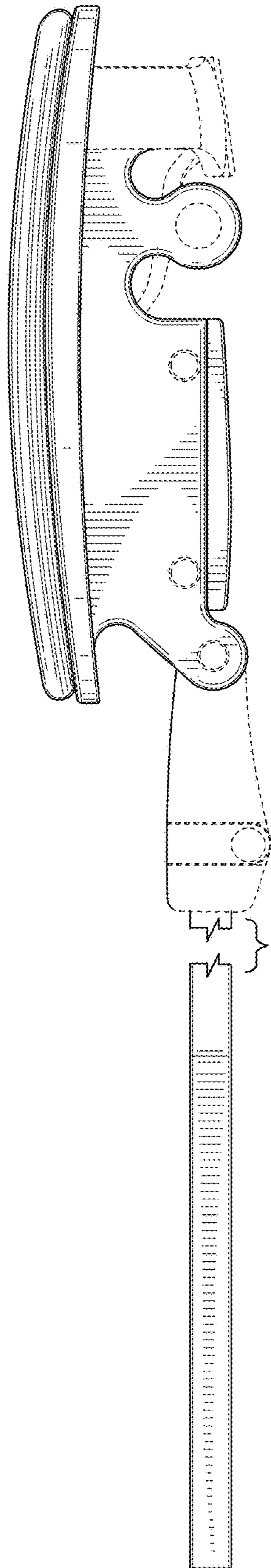
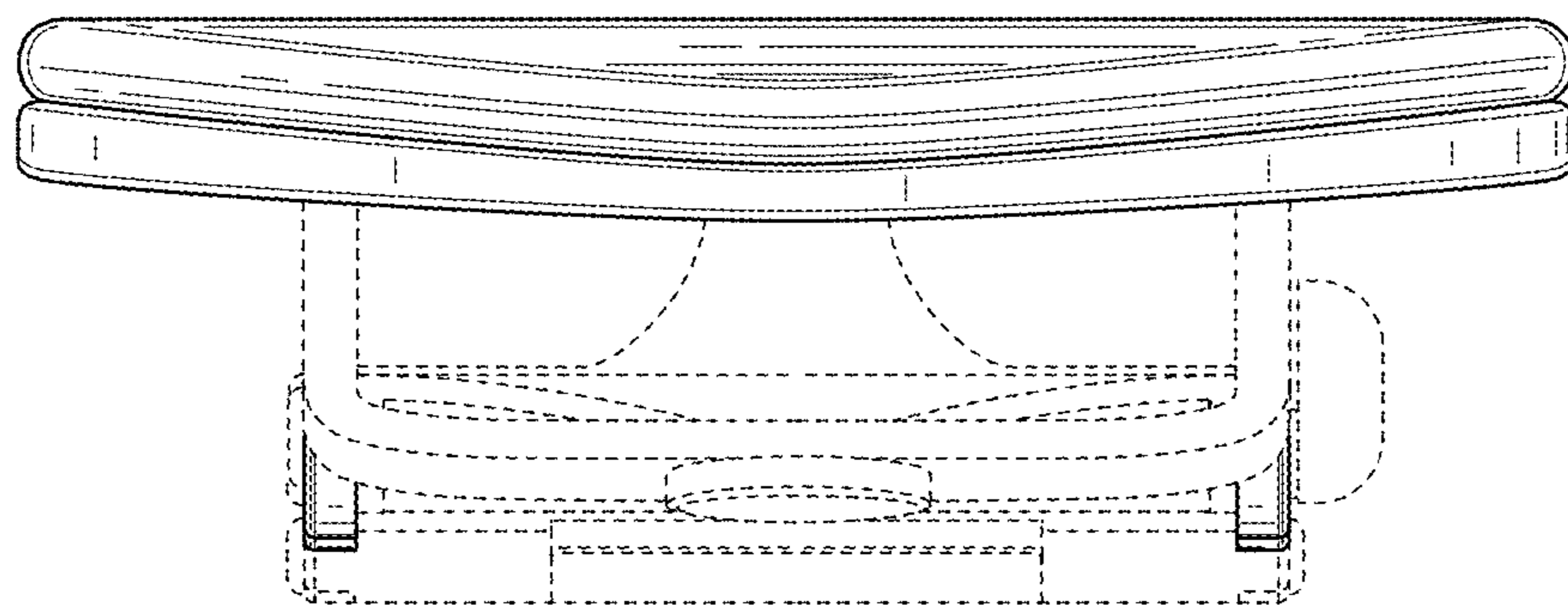
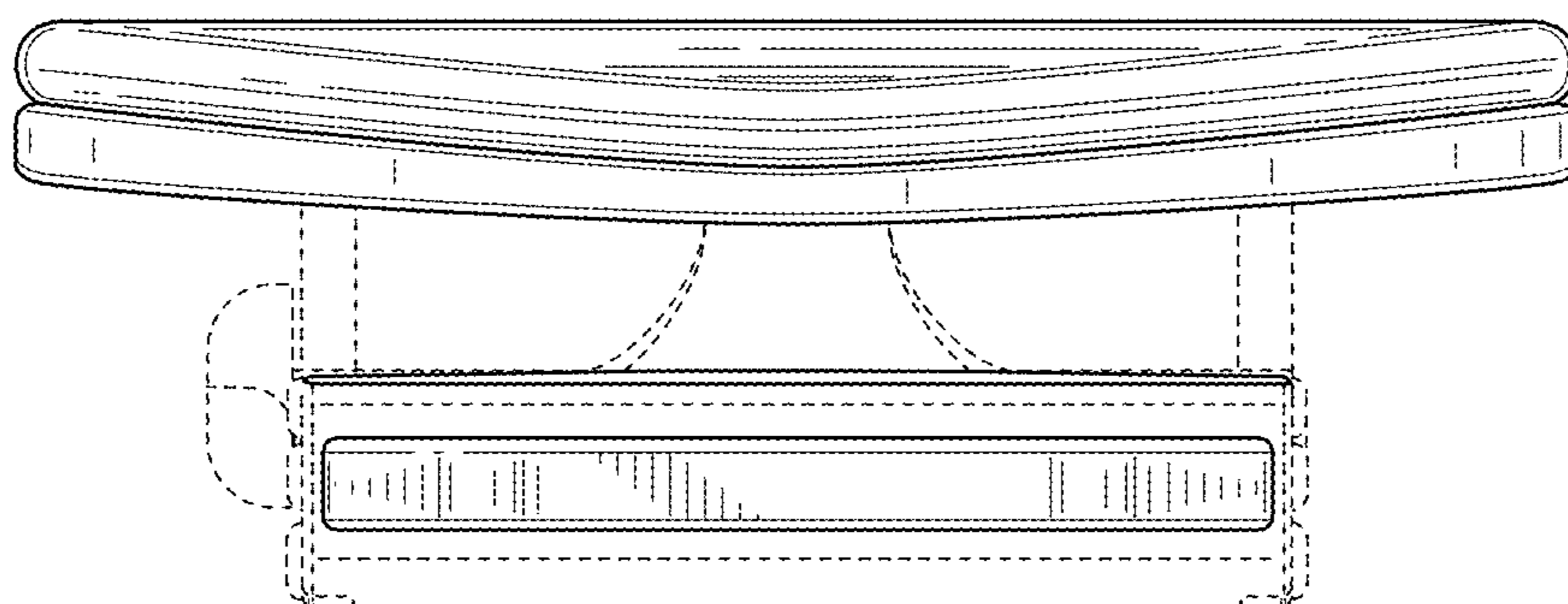


FIG. 6





**FIG. 7**



**FIG. 8**