

US00D815560S

(12) **United States Design Patent** (10) **Patent No.:** **US D815,560 S**
Lo (45) **Date of Patent:** **** Apr. 17, 2018**

(54) **PLANT HOLDER**

(71) Applicant: **Di-Ying Lo**, Taipei (TW)

(72) Inventor: **Di-Ying Lo**, Taipei (TW)

(**) Term: **15 Years**

(21) Appl. No.: **29/575,558**

(22) Filed: **Aug. 26, 2016**

(51) **LOC (11) Cl.** **11-02**

(52) **U.S. Cl.**
USPC **D11/143**; D11/164

(58) **Field of Classification Search**
USPC D11/143-146, 152, 164; D8/1, 349, 354;
D7/620; 47/59 R, 64, 60, 61, 39, 41.01,
47/41.12, 41.14, 44
CPC A01G 29/00; A01G 9/122; A01G 17/04;
A01C 11/02; A45F 3/44; F16B 15/06
See application file for complete search history.

(56) **References Cited**

U.S. PATENT DOCUMENTS

- 3,755,962 A * 9/1973 Walters A01C 11/02
102/385
- 3,821,863 A * 7/1974 Chan A01C 21/00
47/48.5
- 3,914,900 A * 10/1975 Bigelow A01G 13/0268
428/913
- D243,614 S * 3/1977 Russo D25/126
- 4,195,809 A * 4/1980 Morrison E01C 23/01
249/205
- 4,289,058 A * 9/1981 Paskert F16B 15/06
411/349
- D262,093 S * 12/1981 Bush 52/687
- D272,473 S * 1/1984 Larsson D25/133
- D273,091 S * 3/1984 Kurosaki D8/382
- 4,870,781 A * 10/1989 Jones A01G 29/00
248/27.8
- 5,060,417 A * 10/1991 Court A01G 5/04
248/27.8

- D325,678 S * 4/1992 Niles D7/619.1
- D325,870 S * 5/1992 Niles D8/1
- 5,279,072 A * 1/1994 Garbo A01G 5/04
47/39
- D360,980 S * 8/1995 Noniewicz D8/354
- D365,169 S * 12/1995 Fillipp D21/718
- D379,416 S * 5/1997 Adams D21/840

(Continued)

OTHER PUBLICATIONS

SOTOGO 10 Pack Plant Device (via amazon.com), available Sep. 4, 2017, [online], [site visited Oct. 29, 2017]. Available from internet, <URL: https://www.amazon.com/dp/B0749HZ84Z/ref=dp_sp_detail?psc=1 (Year: 2017).*

(Continued)

Primary Examiner — Cathron C Brooks
Assistant Examiner — W. A. Teddy Falloway

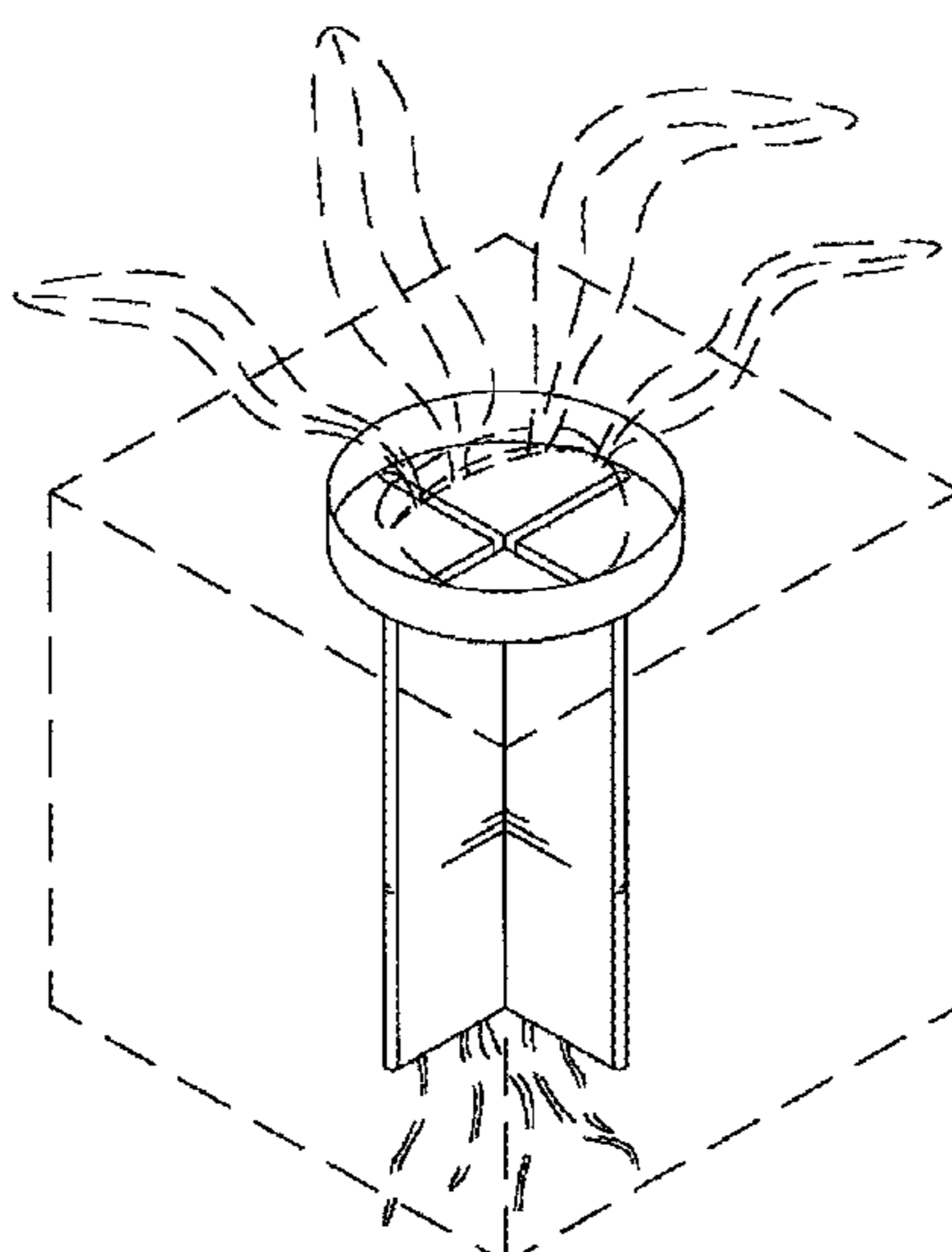
(57) **CLAIM**

The ornamental design for a plant holder, as shown and described.

DESCRIPTION

FIG. 1 is a perspective view of a plant holder showing my new design;
FIG. 2 is a front elevation view thereof;
FIG. 3 is a rear elevation view thereof;
FIG. 4 is a left side elevation view thereof;
FIG. 5 is a right side elevation view thereof;
FIG. 6 is a top plan view thereof;
FIG. 7 is a bottom plan view thereof; and,
FIG. 8 is a perspective view of the plant holder in a usage condition.
The broken lines shown in the drawings illustrate environmental structure and form no part of the claimed design.

1 Claim, 5 Drawing Sheets



(56)

References Cited

U.S. PATENT DOCUMENTS

5,632,464 A * 5/1997 Aberle E04H 12/2269
 248/530
 D396,383 S * 7/1998 Hanson D7/620
 D401,124 S * 11/1998 Rose D8/1
 D402,862 S * 12/1998 Rose D8/1
 D403,930 S * 1/1999 Gotoh D8/1
 D415,018 S * 10/1999 Uhler D21/840
 D416,514 S * 11/1999 Koo D11/130
 6,216,387 B1 * 4/2001 Stoller A01G 29/00
 47/48.5
 6,243,986 B1 * 6/2001 Crowley A01G 27/006
 47/48.5
 6,263,614 B1 * 7/2001 Koo A01G 5/04
 47/41.13
 D491,029 S * 6/2004 Atkins D8/1
 D493,205 S * 7/2004 Combes D21/840
 D516,947 S * 3/2006 Giampavolo D11/146
 D550,484 S * 9/2007 Bonatti D8/349
 D572,625 S * 7/2008 Doan D11/146
 7,469,865 B2 * 12/2008 Mayorga B05B 15/065
 239/276
 D602,990 S * 10/2009 Magera D20/22
 D623,961 S * 9/2010 Maccario D9/428
 8,091,277 B1 * 1/2012 Hajianpour A01G 9/02
 47/41.14
 D657,633 S * 4/2012 Butler D7/620
 D682,054 S * 5/2013 Gary D8/1

D705,013 S * 5/2014 Audibert D7/620
 8,763,332 B2 * 7/2014 Shadwell E04D 5/145
 411/531
 D718,992 S * 12/2014 McCord D8/1
 D731,867 S * 6/2015 Paternostro D8/1
 D752,952 S * 4/2016 Barz D8/349
 D770,238 S * 11/2016 Lundwall D7/620
 2002/0066226 A1 * 6/2002 Zayeratabat A01G 9/122
 47/44
 2011/0226916 A1 * 9/2011 Leung A01G 1/08
 248/156
 2011/0233361 A1 * 9/2011 Hull A45F 3/44
 248/311.2
 2014/0020293 A1 * 1/2014 Raffaele A01G 9/02
 47/66.7
 2017/0172072 A1 * 6/2017 Jablonski A01G 9/128

OTHER PUBLICATIONS

Bottle Top Watering Spikes Review, available Sep. 5, 2013, [online], [site visited Oct. 29, 2017]. Available from internet, <URL: <https://www.love2learnallotmenting.co.uk/equipment/bottle-top-watering-spikes-review/10642> (Year: 2013).*

Plant Nanny Watering Spikes, available Oct. 29, 2017, [online], [site visited Oct. 29, 2017]. Available from internet, <URL: <http://www.leevalley.com/us/wood/page.aspx?p=62803&cat=2,2280,54307&ap=1> (Year: 2017).*

* cited by examiner

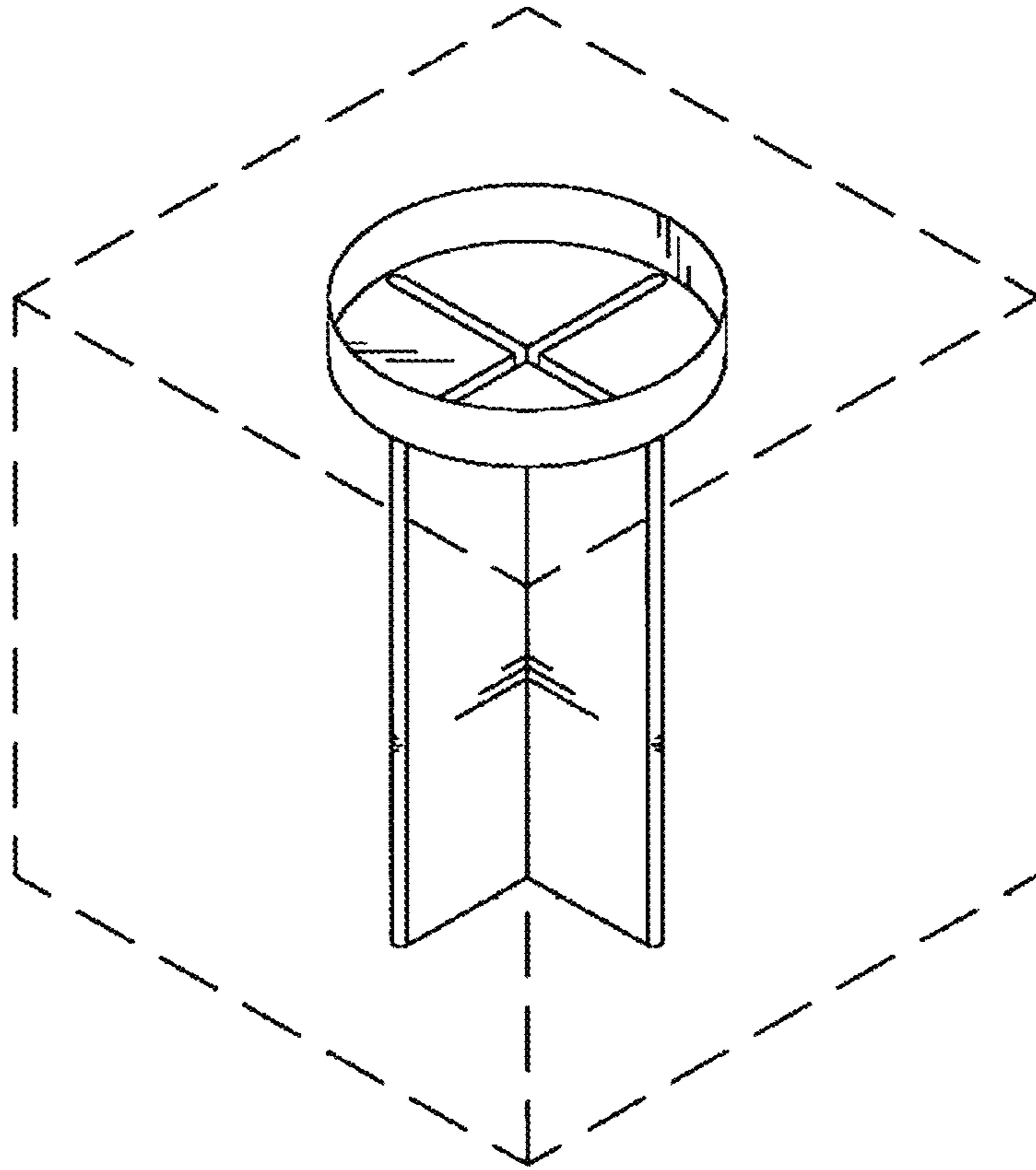


FIG. 1

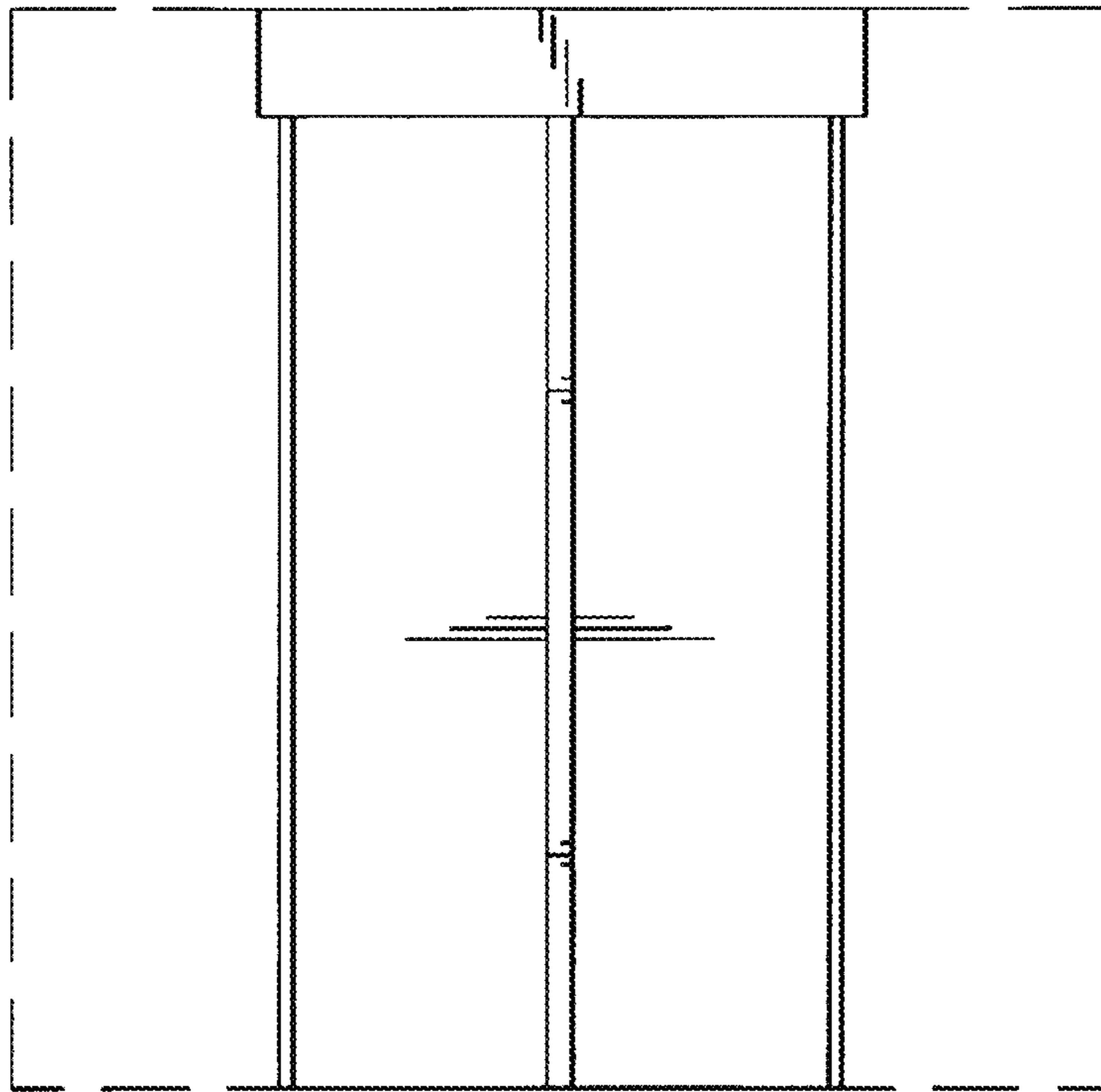


FIG. 2

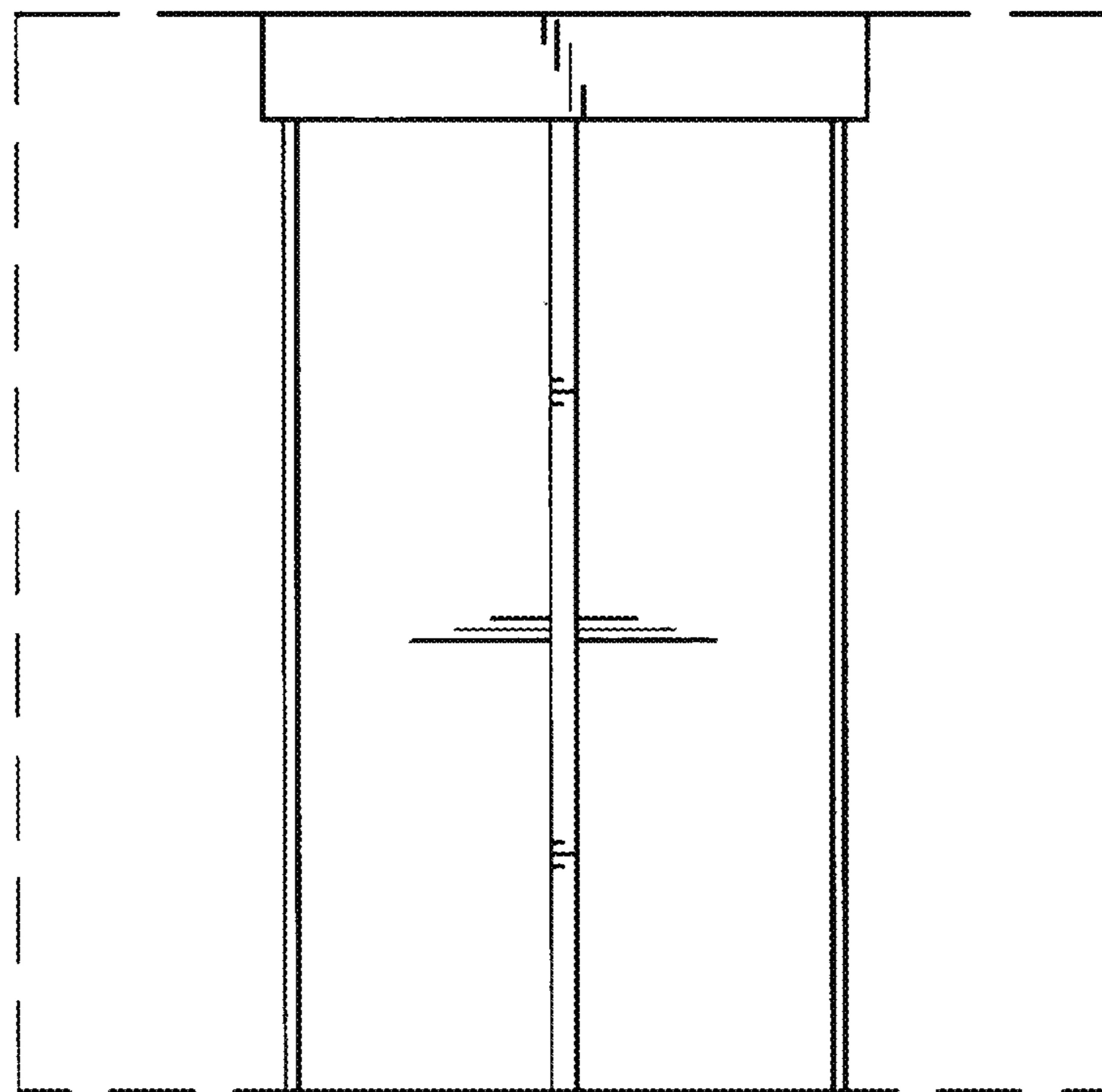


FIG. 3

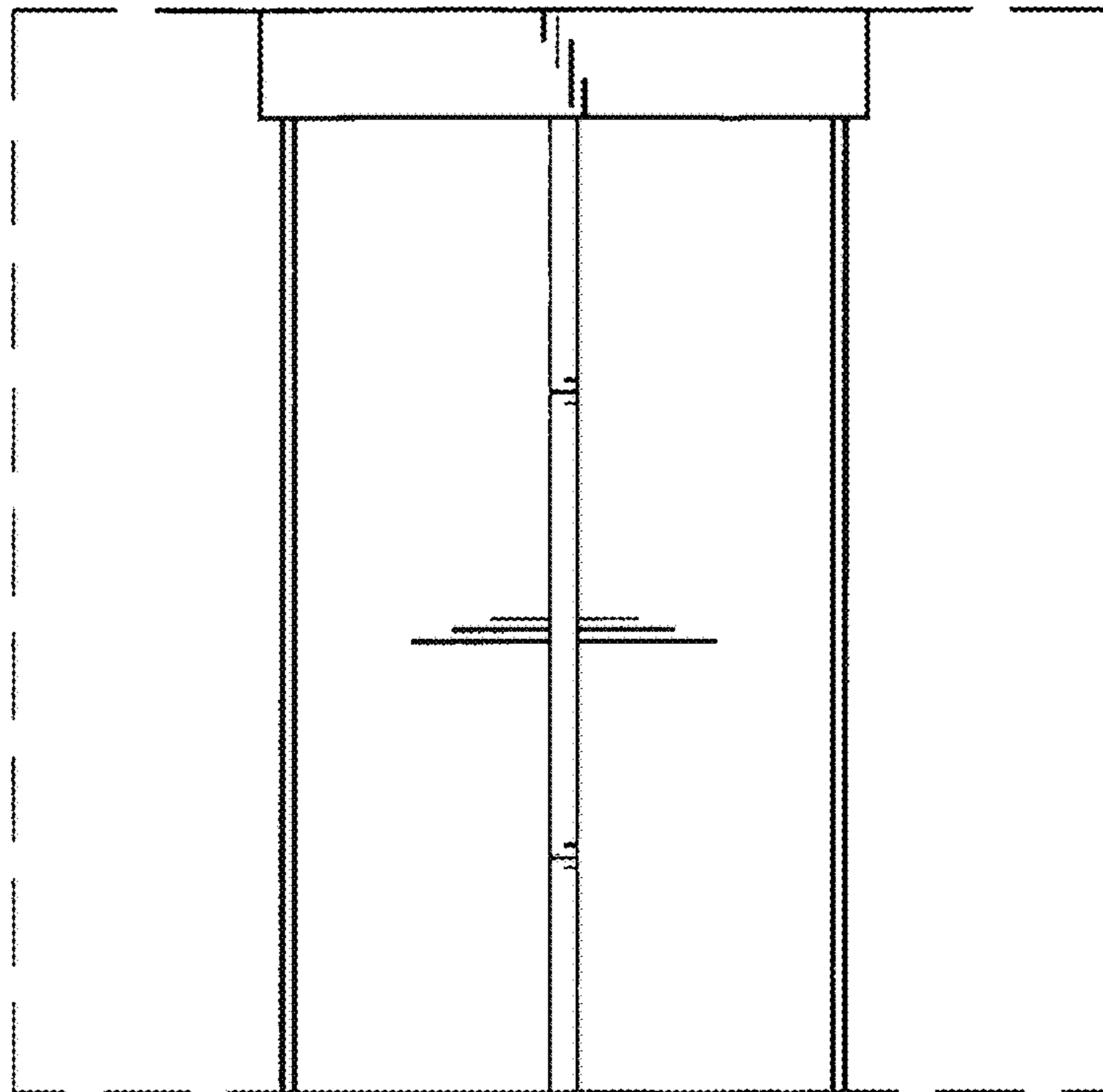


FIG. 4

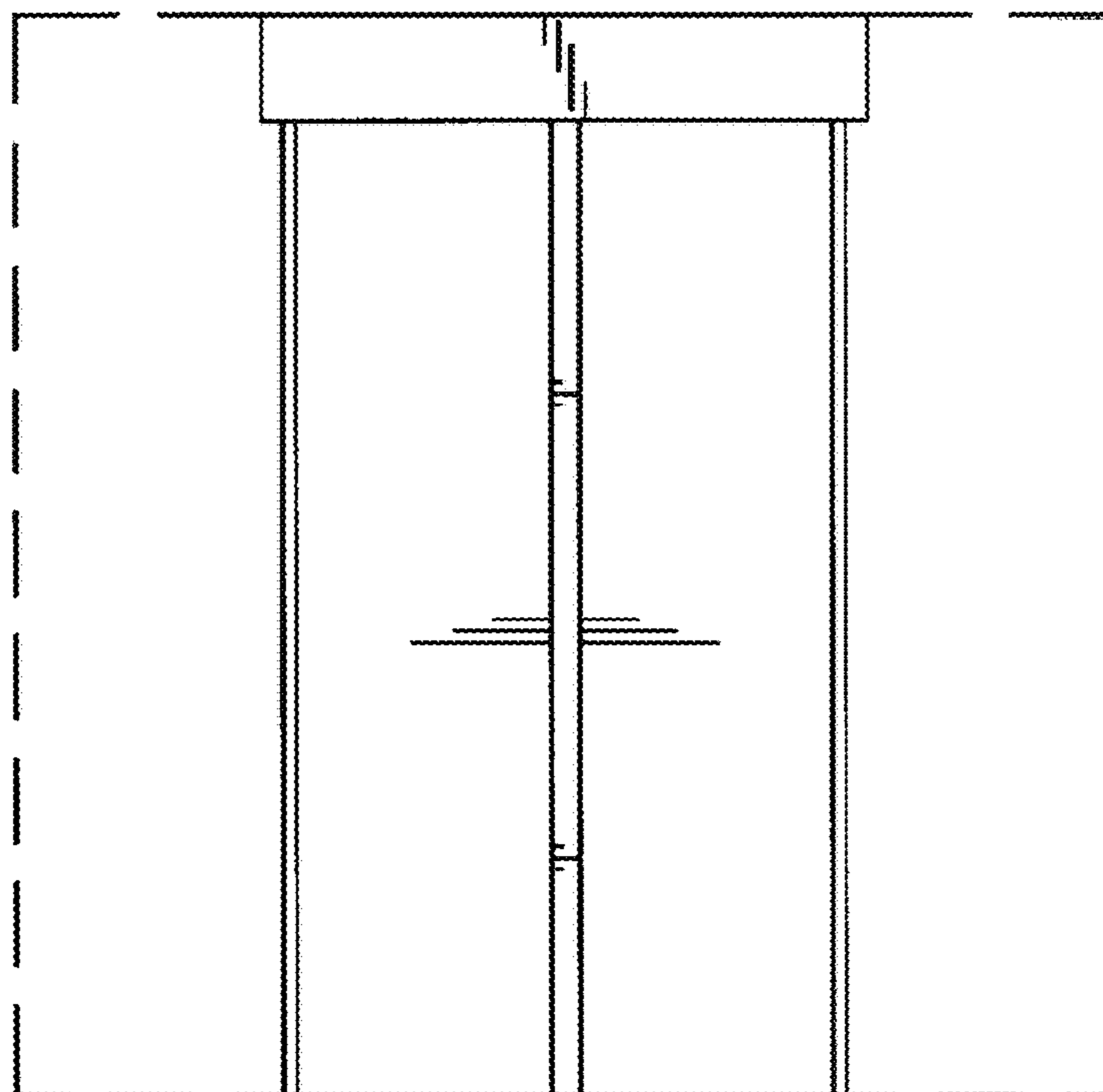


FIG. 5

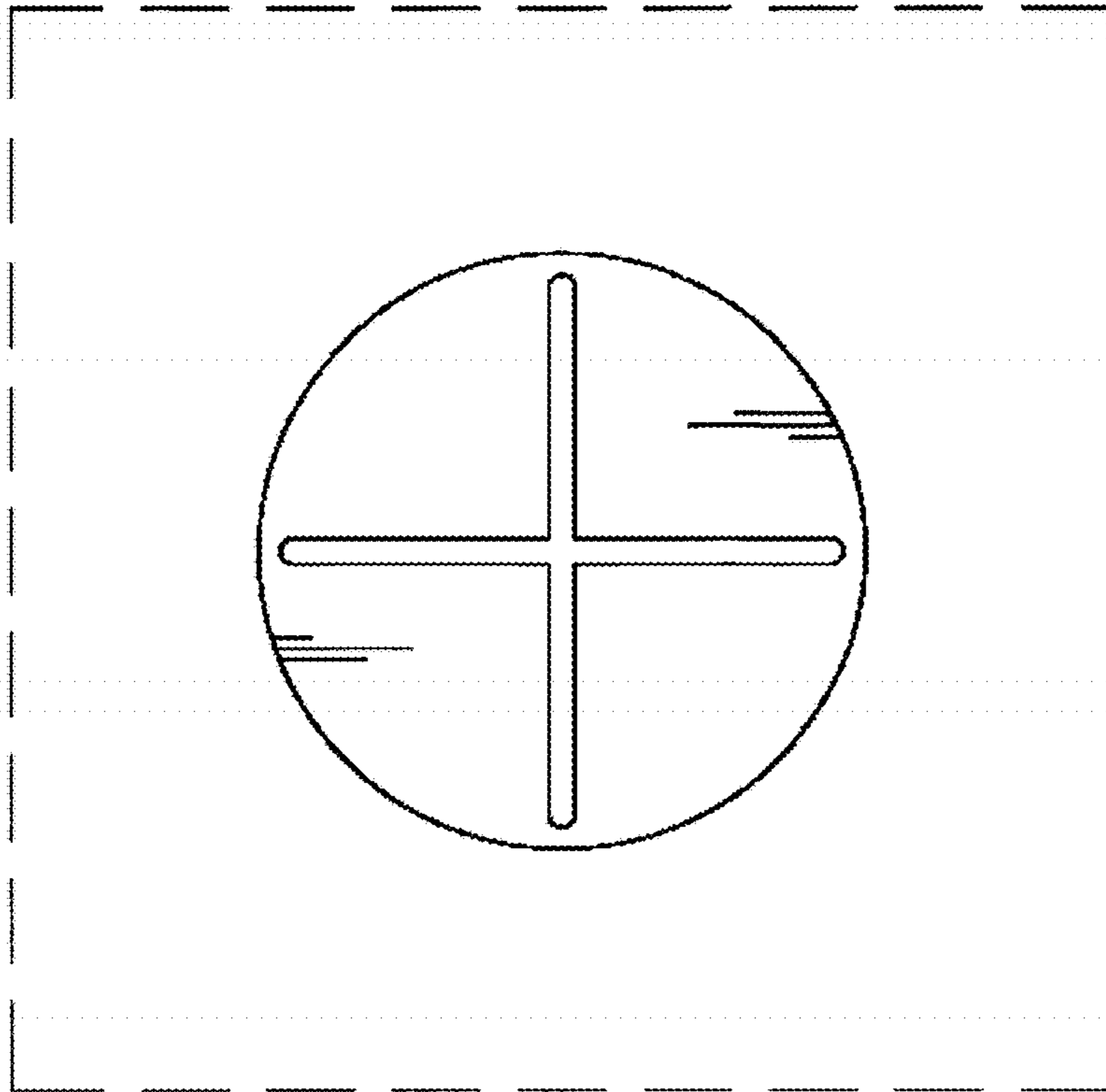


FIG. 6

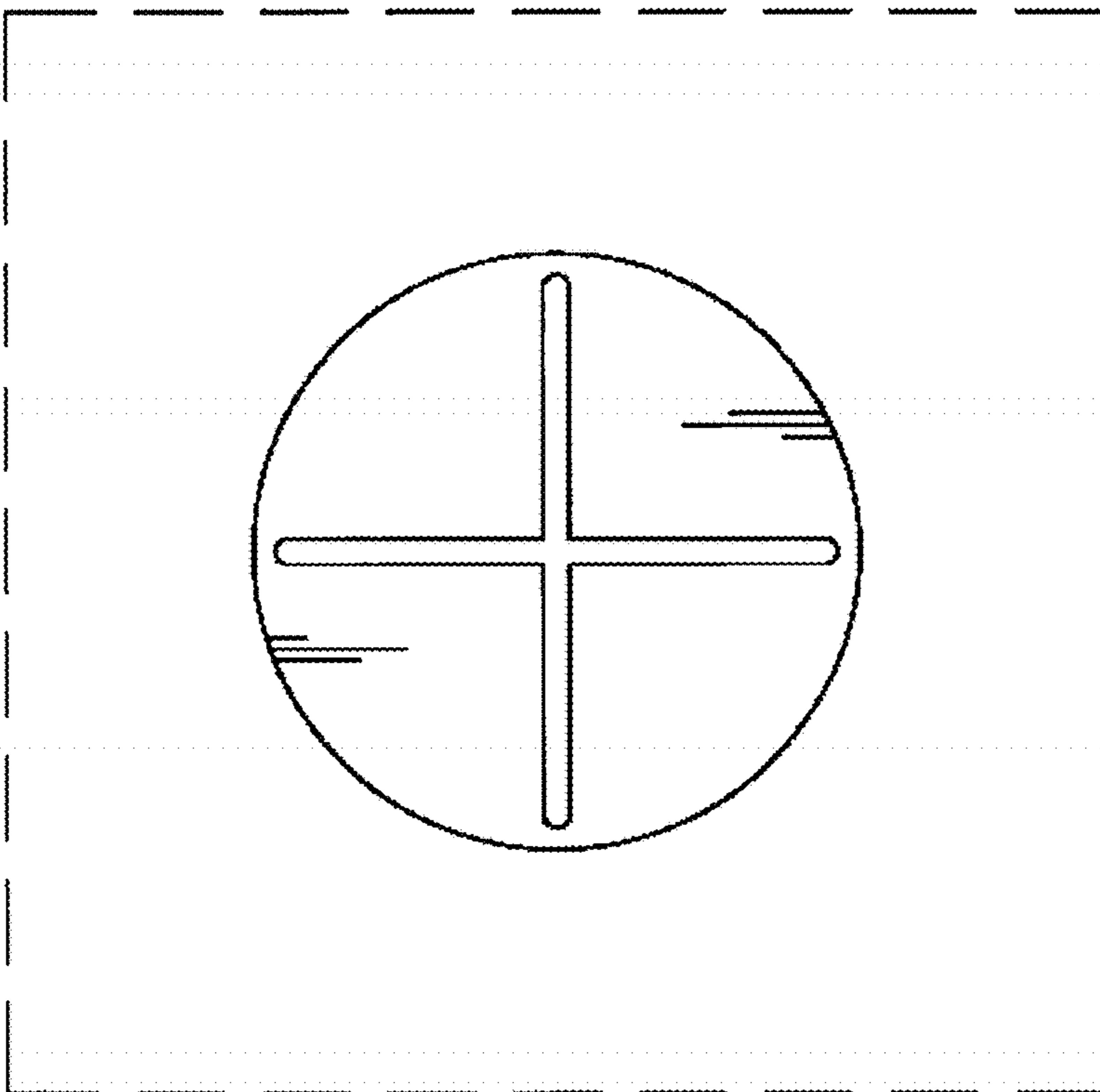


FIG. 7

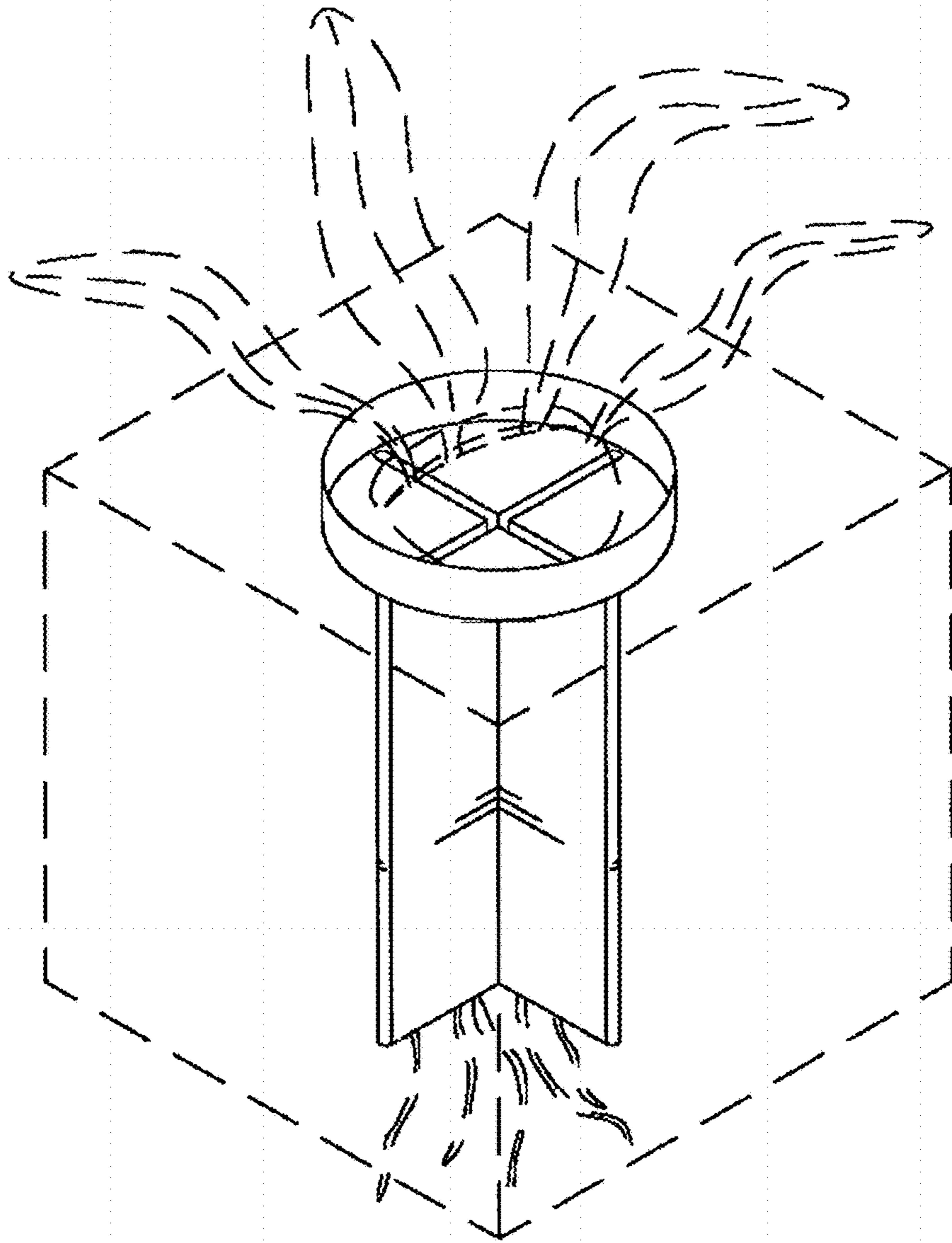


FIG. 8