



US00D815559S

(12) **United States Design Patent**  
**Yep**

(10) **Patent No.:** **US D815,559 S**

(45) **Date of Patent:** **\*\* Apr. 17, 2018**

- (54) **SETTING FOR A RING**
- (71) Applicant: **Mau Koung Yep**, Tortola (VG)
- (72) Inventor: **Mau Koung Yep**, Tortola (VG)
- (\*\*) Term: **15 Years**
- (21) Appl. No.: **29/587,045**
- (22) Filed: **Dec. 9, 2016**
- (51) **LOC (11) Cl.** ..... **11-01**
- (52) **U.S. Cl.**  
USPC ..... **D11/91**
- (58) **Field of Classification Search**  
USPC .... D11/1-26, 34-37, 40-43, 45, 47, 63, 67,  
D11/79, 80, 85, 86, 89-92  
CPC ..... A44C 17/00; A44C 17/001; A44C 17/002;  
A44C 17/003; A44C 17/005; A44C  
17/006; A44C 17/007; A44C 17/008;  
A44C 17/0216; A44C 17/0233; A44C  
17/0241; A44C 17/025; A44C 17/0258;  
A44C 17/0266; A44C 17/0275; A44C  
17/0283; A44C 17/0291; A44C 17/04;  
A44C 17/043; A44C 17/046; A44C 9/00;  
A44C 9/0007; A44C 9/0015; A44C  
9/0023; A44C 9/003; A44C 9/0038; A44C  
9/0046; A44C 9/0053; A44C 9/0061;  
A44C 13/00; A44C 1/00; A44C 7/00;  
A44C 7/001; A44C 7/002; A44C 7/003;  
A44C 7/004; A44C 7/005; A44C 7/006;  
A44C 7/007; A44C 7/008; A44C 7/009  
See application file for complete search history.

D409,518 S *	5/1999	Ho	.....	D11/91
D485,205 S *	1/2004	Yuan	.....	D11/90
D505,093 S *	5/2005	Kothari	.....	D11/91
D508,867 S *	8/2005	Shum	.....	D11/91
D549,612 S *	8/2007	Kothari	.....	A44C 17/046 D11/91
D569,758 S *	5/2008	Dholakiya	.....	D11/91
D618,132 S *	6/2010	Wong	.....	D11/91
D632,207 S *	2/2011	Gurfinkel	.....	D11/91
D634,230 S *	3/2011	Arlanda	.....	D11/1
D641,651 S *	7/2011	Kothari	.....	D11/91
D642,087 S *	7/2011	Kothari	.....	D11/91
D643,327 S *	8/2011	Kothari	.....	11/91
D647,423 S *	10/2011	Khimavat	.....	11/91
D648,650 S *	11/2011	Roehl	.....	D11/91
D648,651 S *	11/2011	Sin	.....	11/91
D650,308 S *	12/2011	Roehl	.....	D11/91

(Continued)

*Primary Examiner* — Cynthia Ramirez  
*Assistant Examiner* — Llorellys Martinez-Rivera  
 (74) *Attorney, Agent, or Firm* — Michael J. Feigin, Esq.;  
 Feigin and Fridman LLC

(57) **CLAIM**

The ornamental design for a setting for a ring, as shown and described.

**DESCRIPTION**

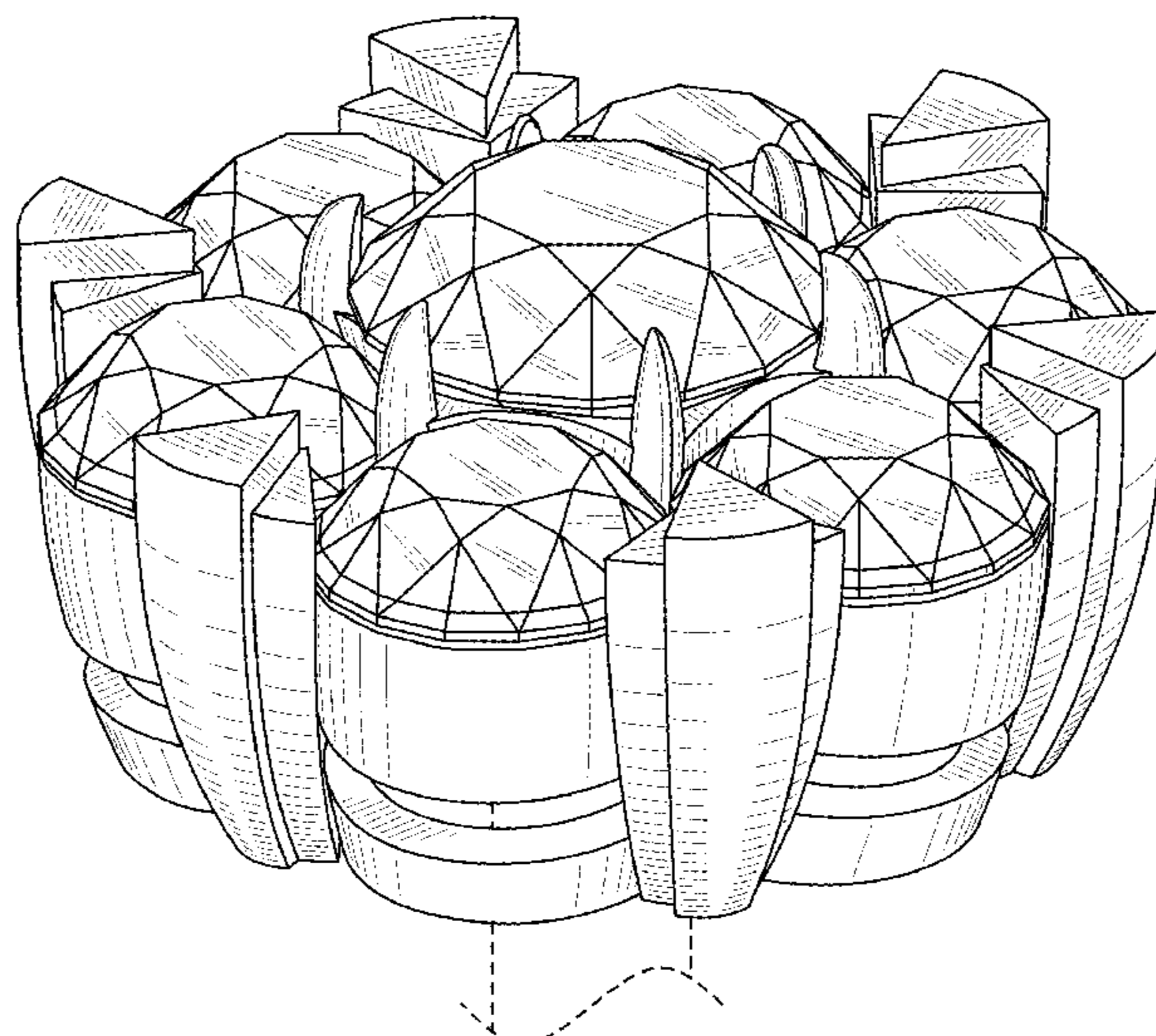
FIG. 1 shows a top perspective view of a setting for a ring. FIG. 2 shows a bottom perspective view of the setting for a ring. FIG. 3 shows a top plan view of the setting for a ring. FIG. 4 shows a bottom plan view of the setting for a ring. FIG. 5 shows a front side elevation view of the setting for a ring, the back side being a mirror image thereof; and, FIG. 6 shows a left side elevation view of the setting for an inner ring, the right side being a mirror image thereof. The broken lines shown in FIGS. 1, 2, and 4 through 6 illustrate environmental subject matter only and form no part of the claimed design.

**1 Claim, 6 Drawing Sheets**

(56) **References Cited**

U.S. PATENT DOCUMENTS

D131,903 S *	4/1942	Roskin	.....	D11/91
D131,904 S *	4/1942	Roskin	.....	D11/92
D131,906 S *	4/1942	Roskin	.....	D11/92
D383,085 S *	9/1997	Nyqvist	.....	11/90



(56)

**References Cited**

## U.S. PATENT DOCUMENTS

D654,394	S	*	2/2012	Kothari	.....	11/91
D680,026	S	*	4/2013	Wong	.....	D11/91
D680,896	S	*	4/2013	Wong	.....	D11/91
D680,897	S	*	4/2013	Li	.....	D11/91
D680,898	S	*	4/2013	Dholakiya	.....	11/91
D684,886	S	*	6/2013	Wein	.....	D11/91
D693,726	S	*	11/2013	Kothari	.....	D11/91
D697,451	S	*	1/2014	Dholakiya	.....	D11/91
D697,831	S	*	1/2014	Dholakiya	.....	D11/91
D703,090	S	*	4/2014	Dholakiya	.....	D11/91
D703,091	S	*	4/2014	Dholakiya	.....	D11/91
D709,403	S	*	7/2014	Sanghvi	.....	D11/91
D712,302	S	*	9/2014	Dholakiya	.....	D11/91
D712,303	S	*	9/2014	Dholakiya	.....	D11/91
D714,182	S	*	9/2014	Doran	.....	D11/92
D718,181	S	*	11/2014	Kothari et al.	.....	D11/92
D747,666	S	*	1/2016	Yatsugi-Kang	.....	11/43
D755,665	S	*	5/2016	Krainz	.....	D11/91
D776,560	S	*	1/2017	Doshi	.....	11/91
D782,934	S	*	4/2017	Riviere	.....	D11/42
D789,235	S	*	6/2017	Krainz	.....	11/91
D791,012	S	*	7/2017	Krainz	.....	11/91

\* cited by examiner

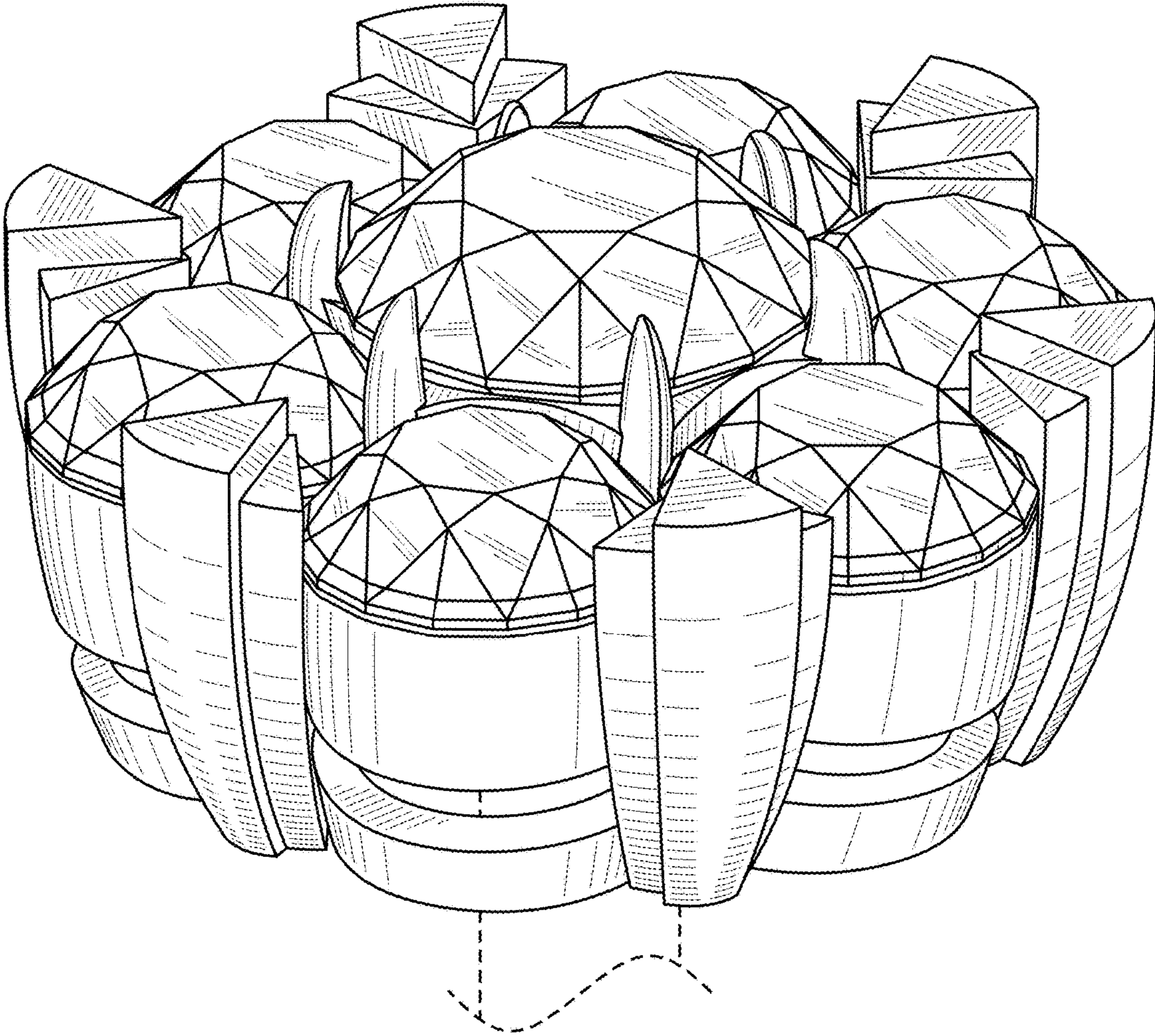


FIG. 1

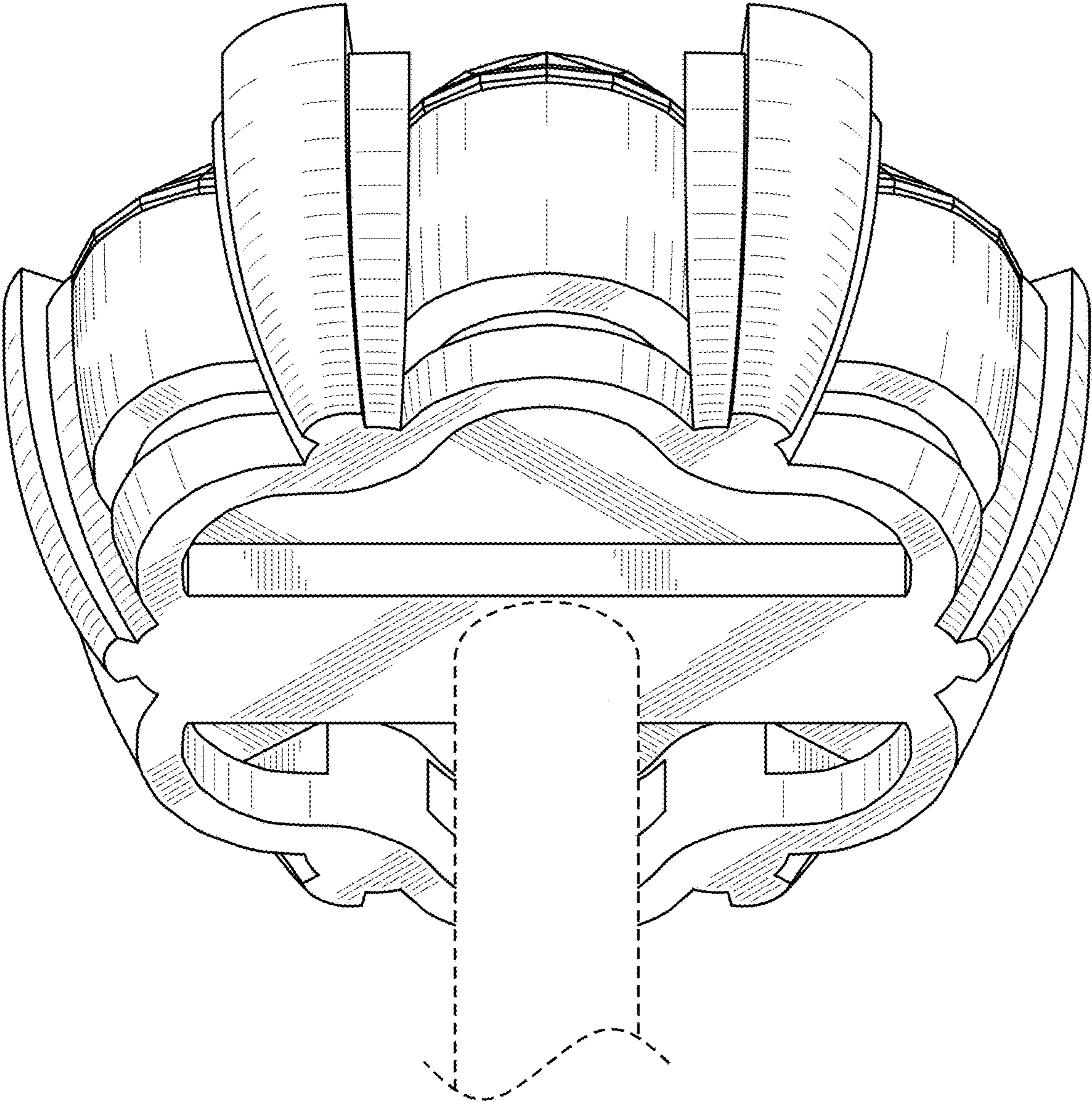


FIG. 2

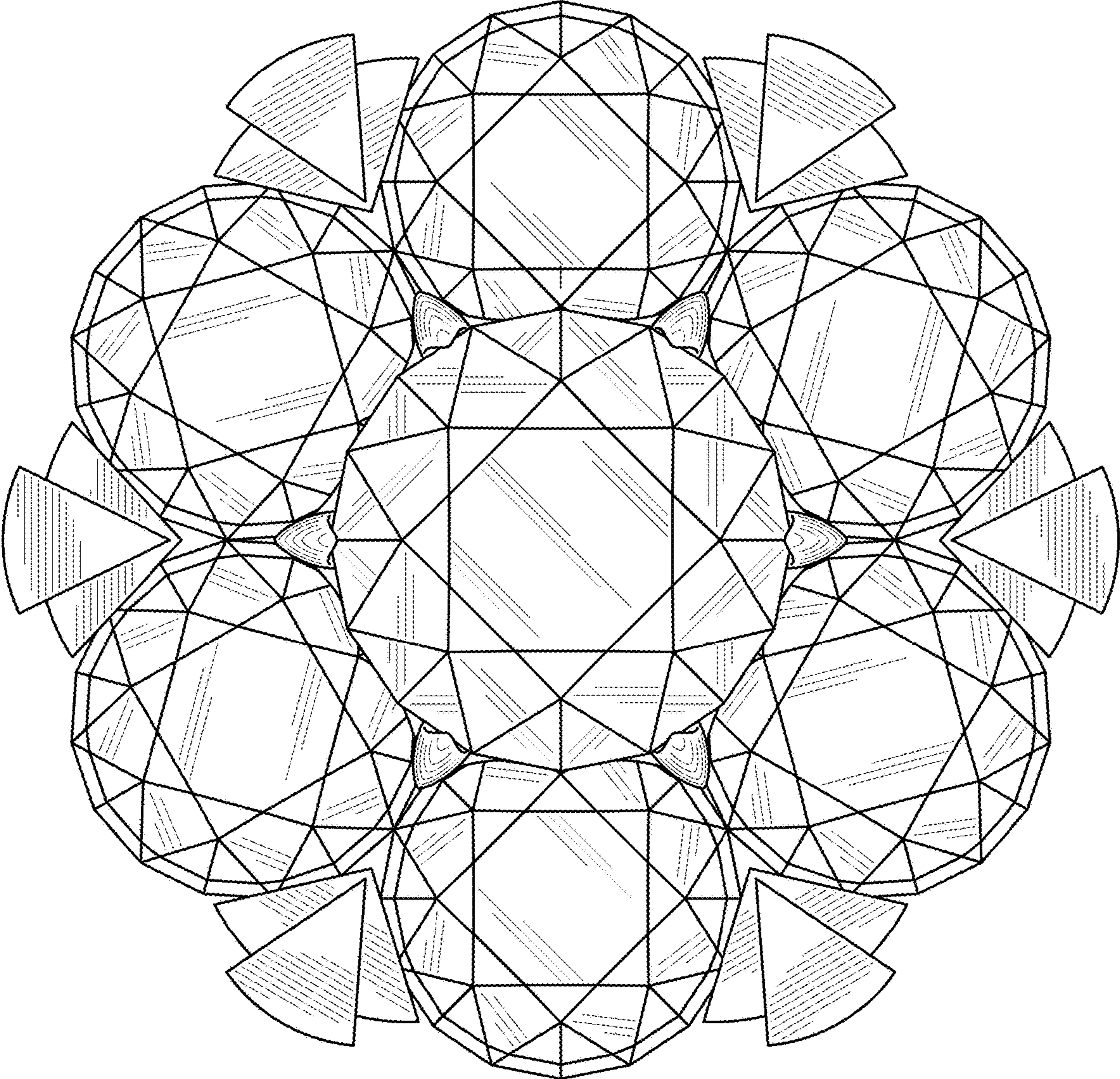


FIG. 3

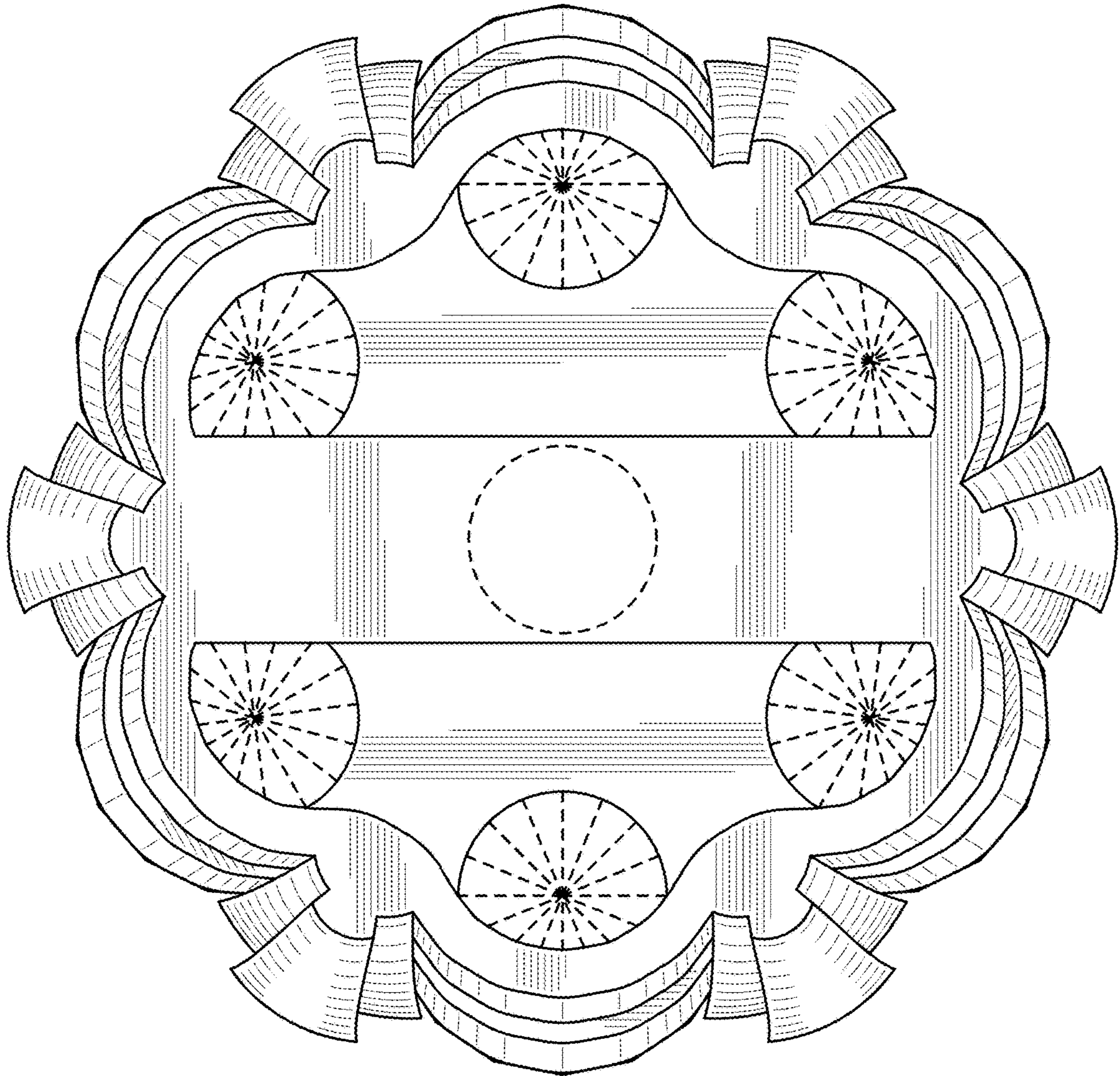


FIG. 4

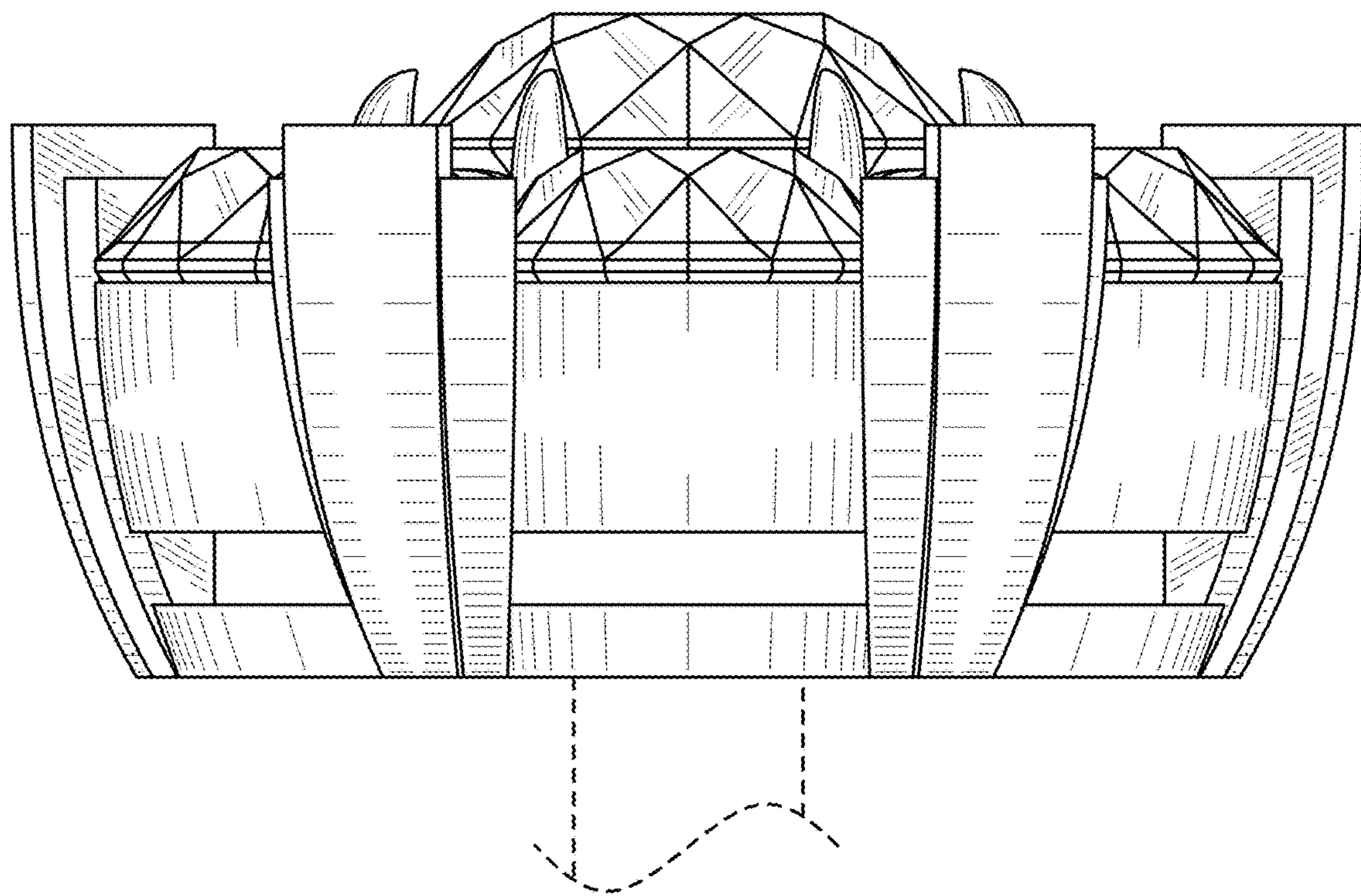


FIG. 5

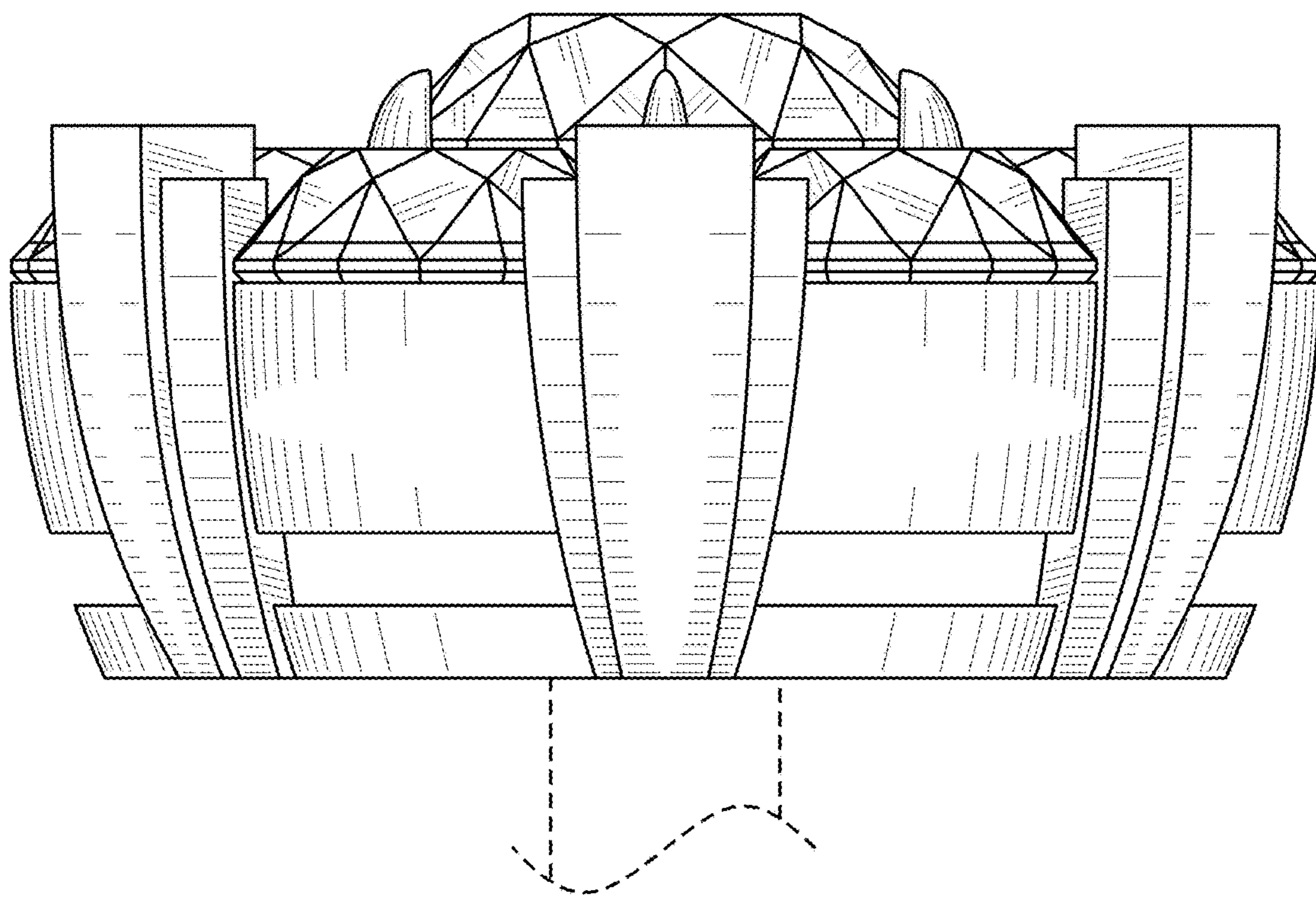


FIG. 6