



US00D815558S

(12) **United States Design Patent**  
**Rydlewicz**

(10) **Patent No.:** **US D815,558 S**

(45) **Date of Patent:** **\*\* Apr. 17, 2018**

(54) **CUSHION CUT GEMSTONE**

(71) Applicant: **WORLDWIDE DIAMOND TRADEMARKS LTD.**, Vancouver (CA)

(72) Inventor: **Roni Rydlewicz**, Brussels (BE)

(73) Assignee: **WORLDWIDE DIAMOND TRADEMARKS LTD.**, Vancouver (CA)

(\*\*) Term: **15 Years**

(21) Appl. No.: **29/586,779**

(22) Filed: **Dec. 7, 2016**

(51) **LOC (11) Cl.** ..... **11-01**

(52) **U.S. Cl.**  
USPC ..... **D11/90**

(58) **Field of Classification Search**  
USPC ..... D11/1-2, 26-29, 89-92; 63/26-28, 32  
CPC ..... A44C 17/00; A44C 17/01; A44C 17/005;  
A44C 17/007; A44C 17/008  
See application file for complete search history.

(56) **References Cited**

**U.S. PATENT DOCUMENTS**

D469,035 S \* 1/2003 Yuan ..... D11/90  
D644,142 S \* 8/2011 Rydlewicz ..... D11/90

D662,852 S \* 7/2012 Botha ..... D11/90  
D674,314 S \* 1/2013 Siman-Tov ..... D11/90  
D675,954 S \* 2/2013 Forster ..... D11/90  
D686,105 S \* 7/2013 Hodara ..... D11/90  
D789,238 S \* 6/2017 Sporn ..... D11/90

\* cited by examiner

*Primary Examiner* — Ralf T Seifert

(74) *Attorney, Agent, or Firm* — Scarinci & Hollenbeck

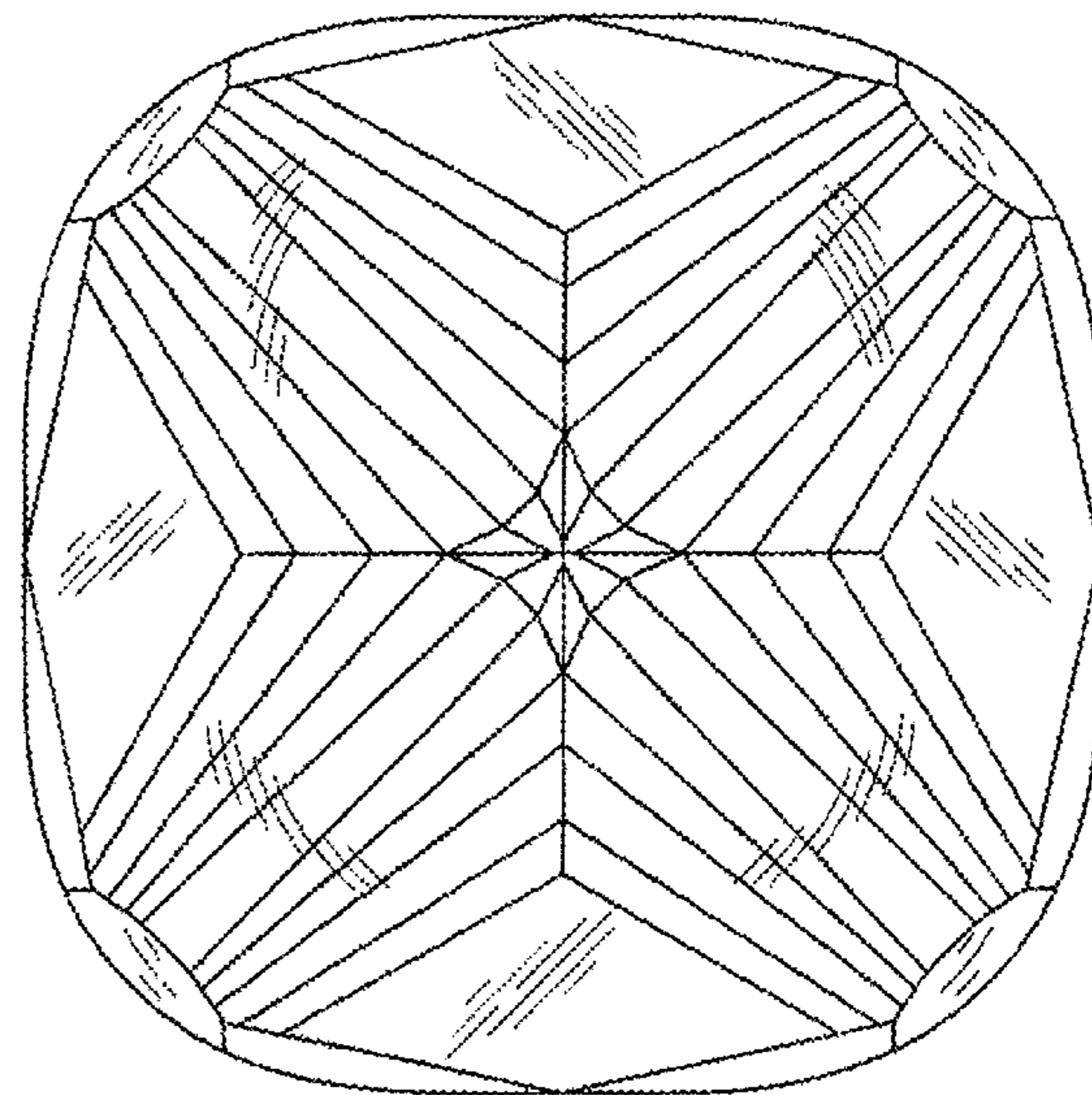
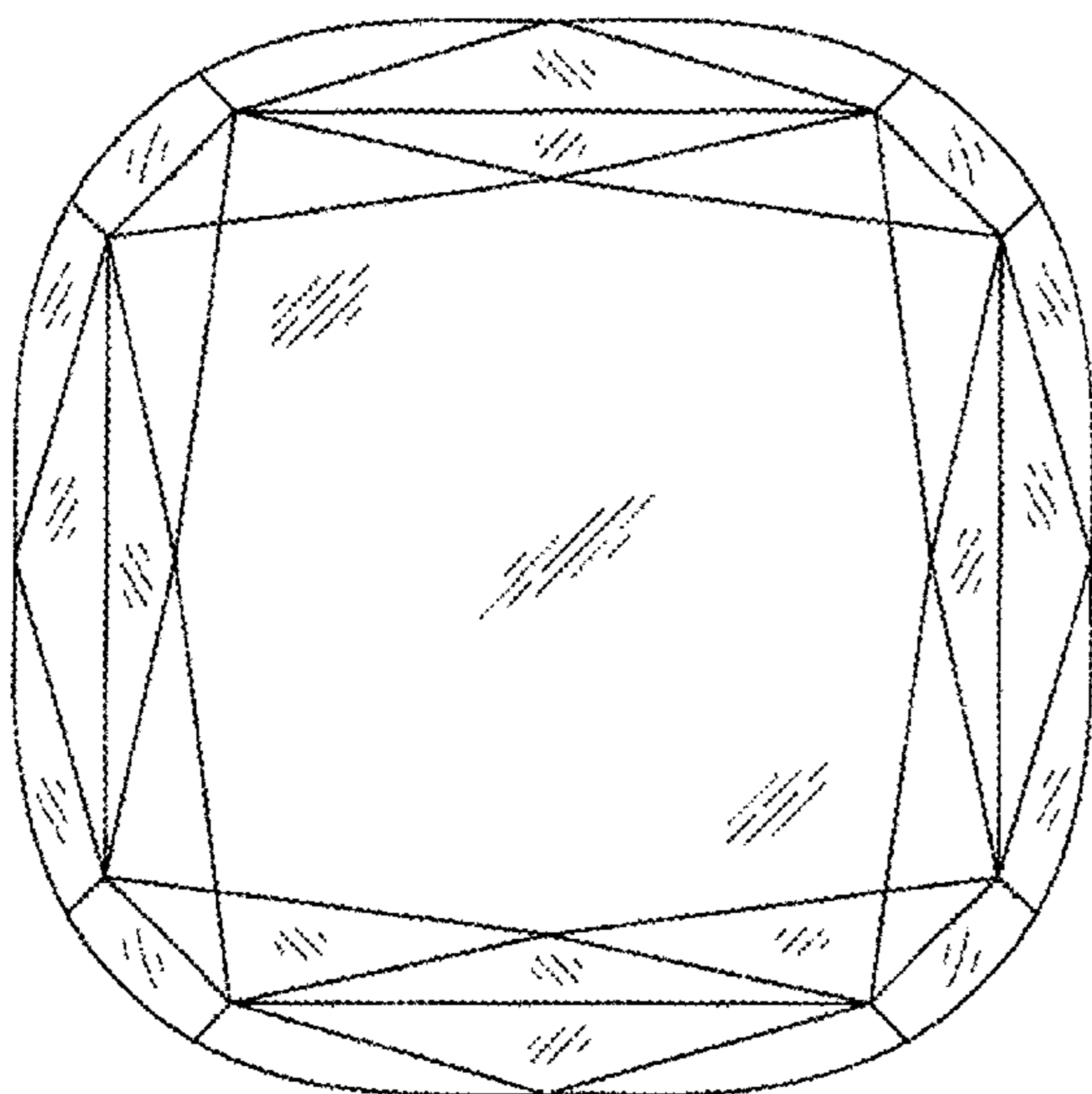
(57) **CLAIM**

The ornamental design for a cushion cut gemstone, as shown and described.

**DESCRIPTION**

FIG. 1 is a perspective view of a cushion cut gemstone showing my new design;  
FIG. 2 is a front elevational view thereof;  
FIG. 3 is a rear view thereof;  
FIG. 4 is a right side view thereof;  
FIG. 5 is a left side view thereof;  
FIG. 6 is a top view thereof; and,  
FIG. 7 is a bottom view thereof.

**1 Claim, 5 Drawing Sheets**



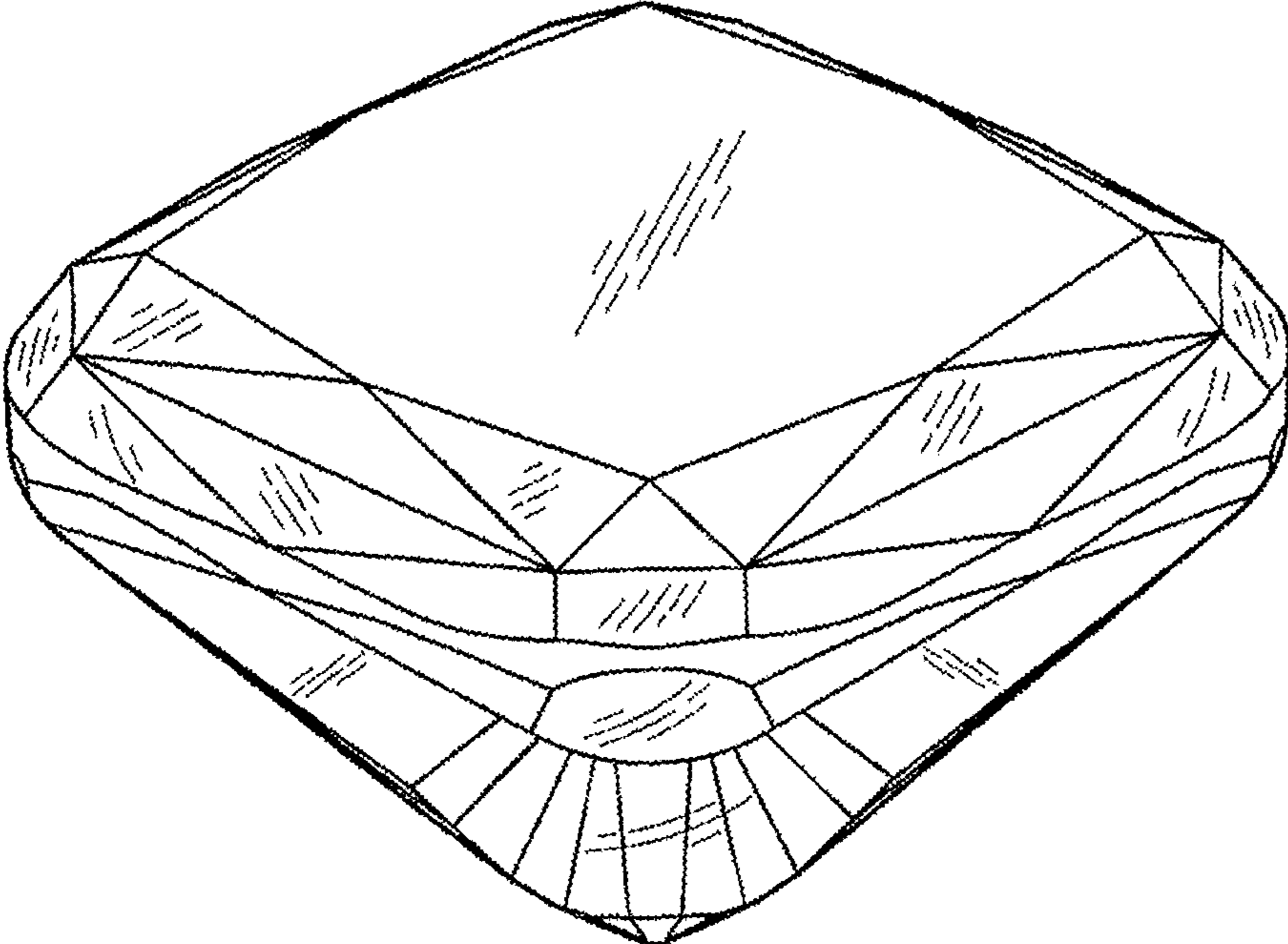


FIG. 1

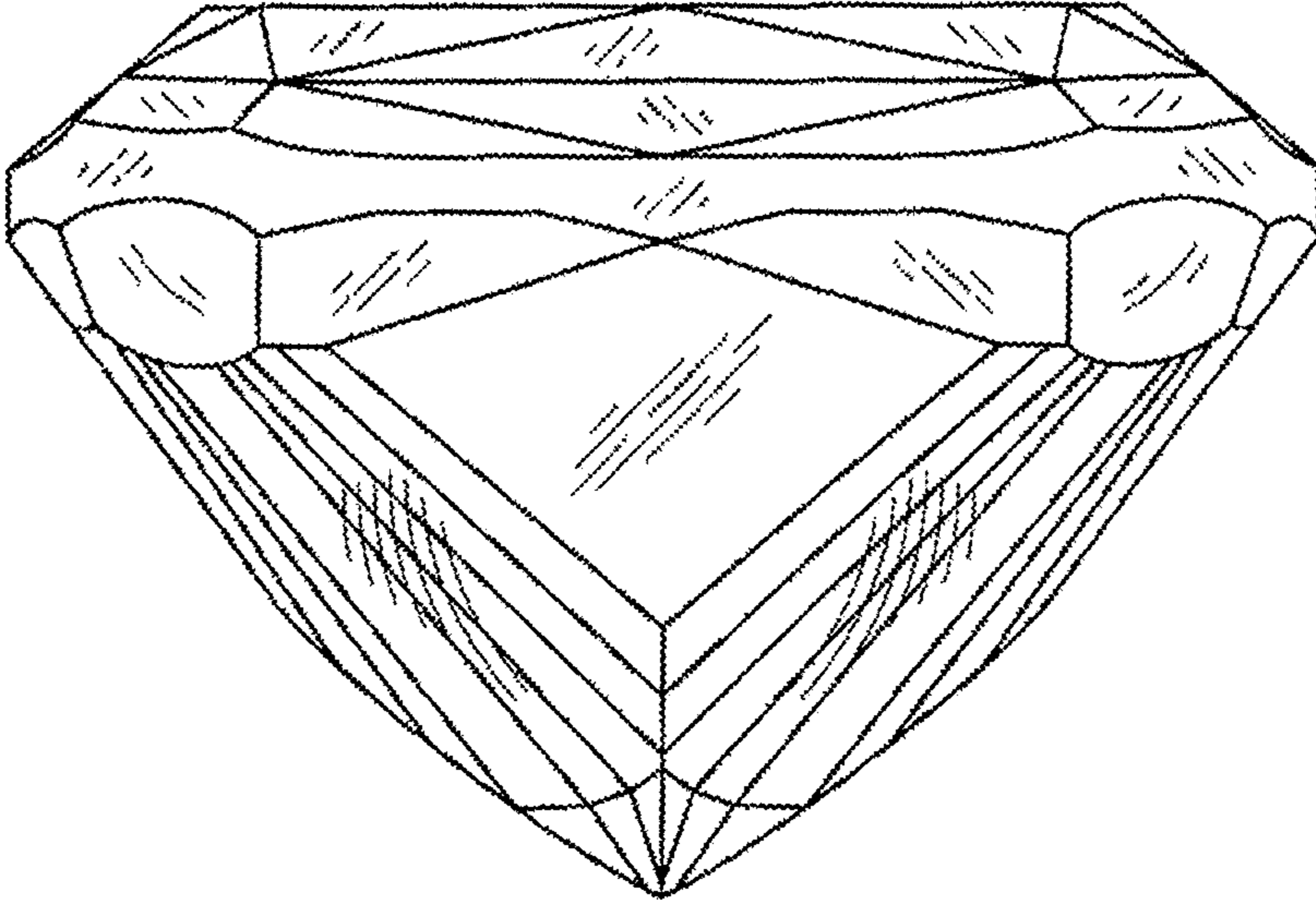


FIG. 2

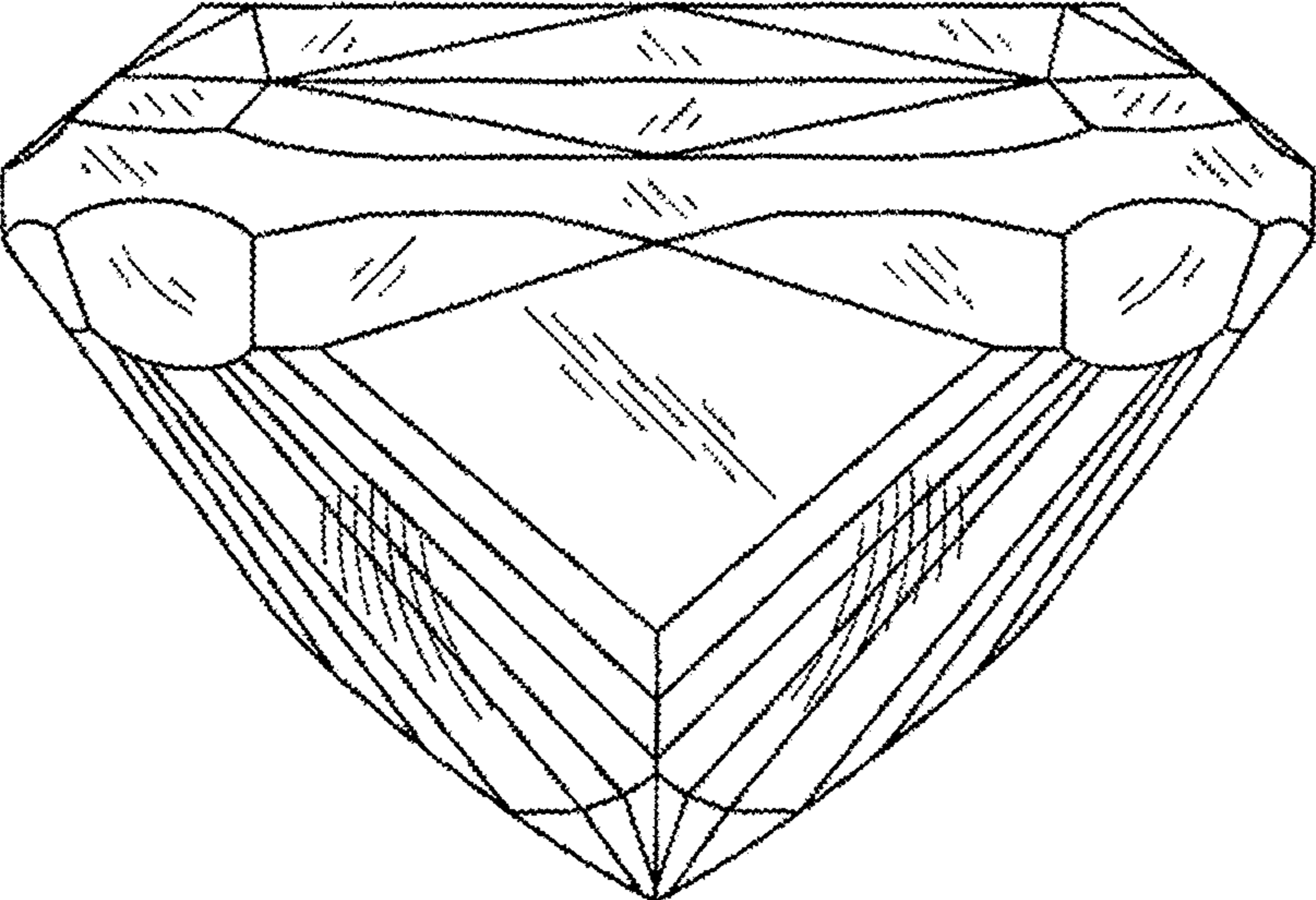


FIG. 3

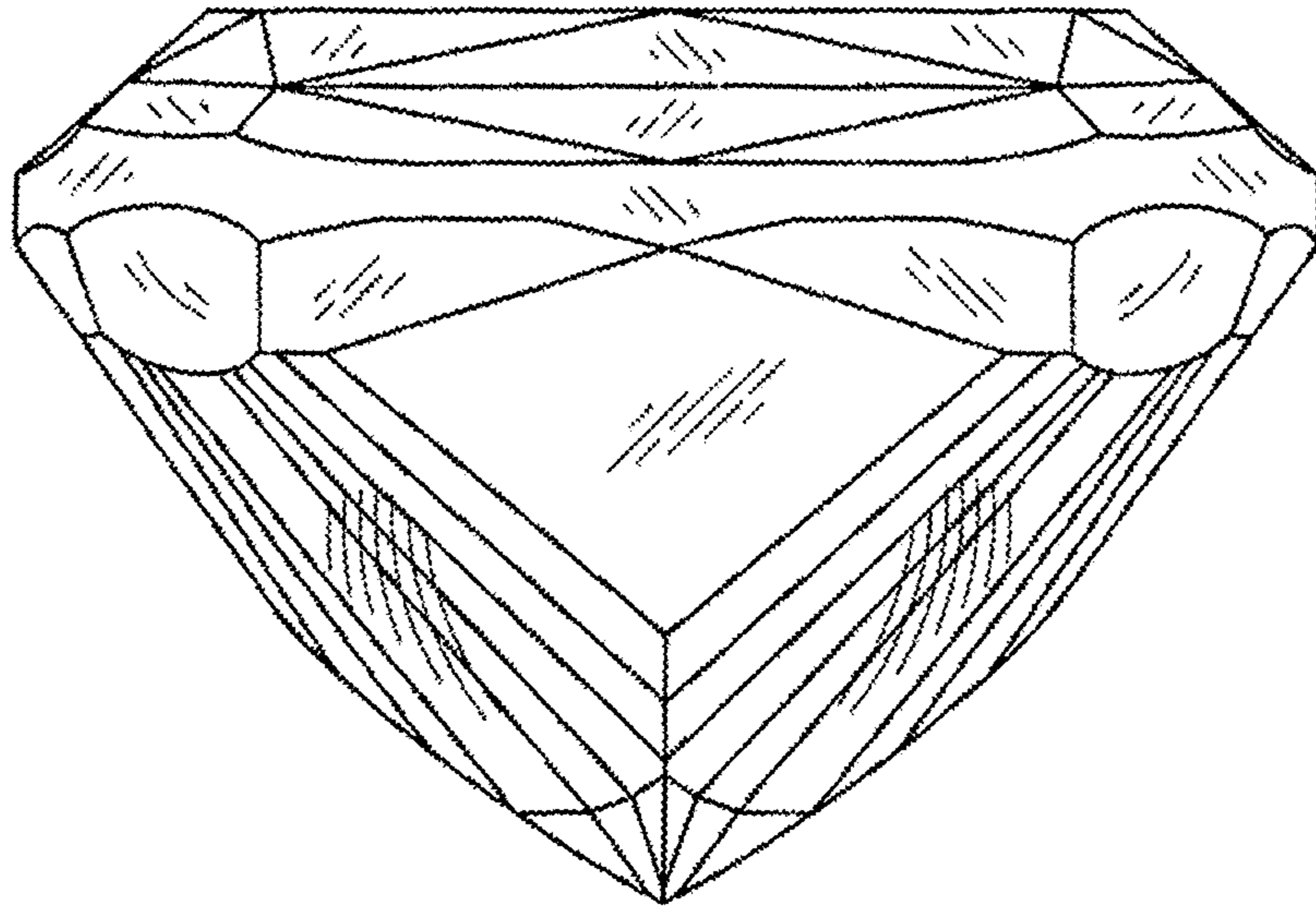


FIG. 4

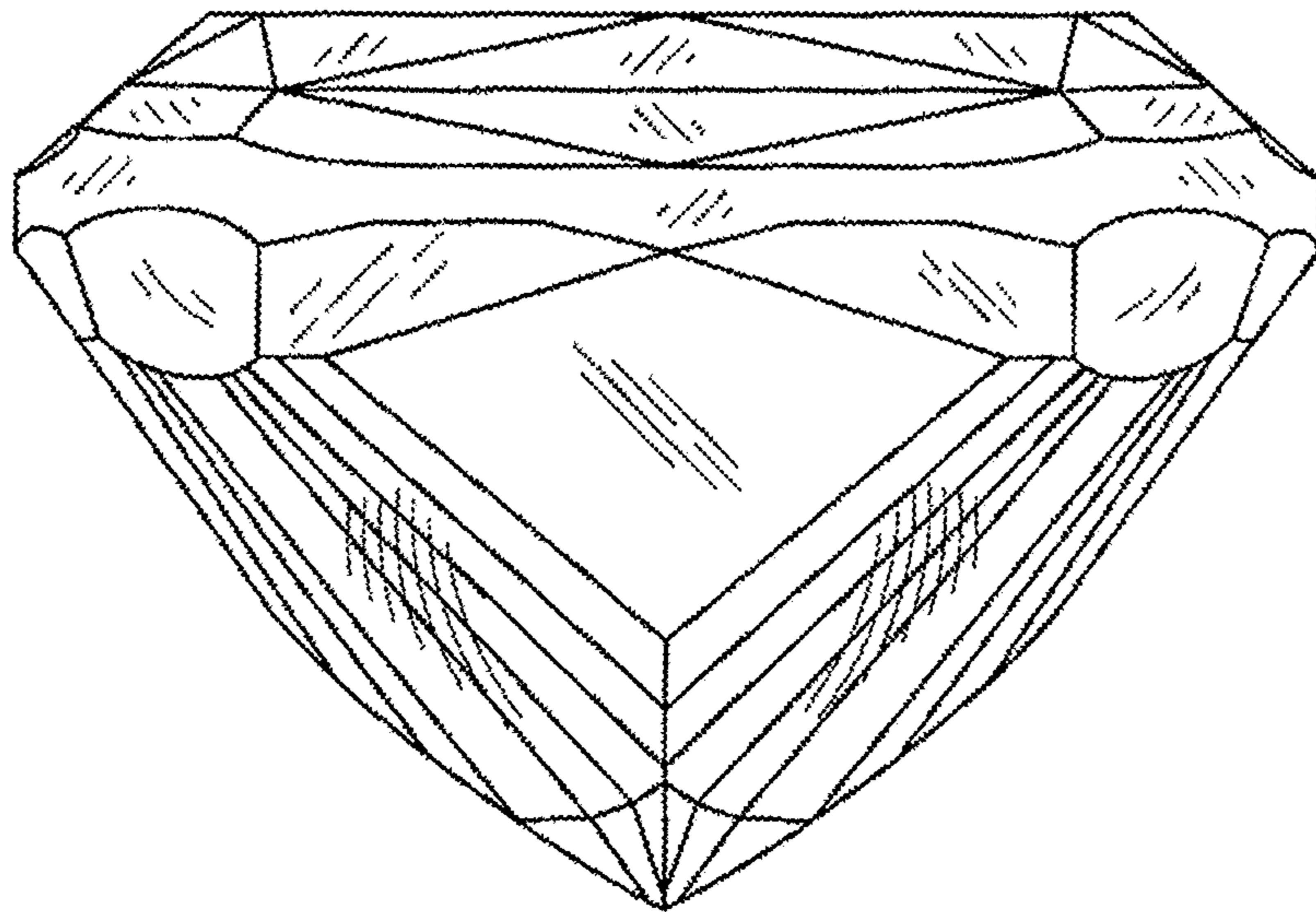


FIG. 5

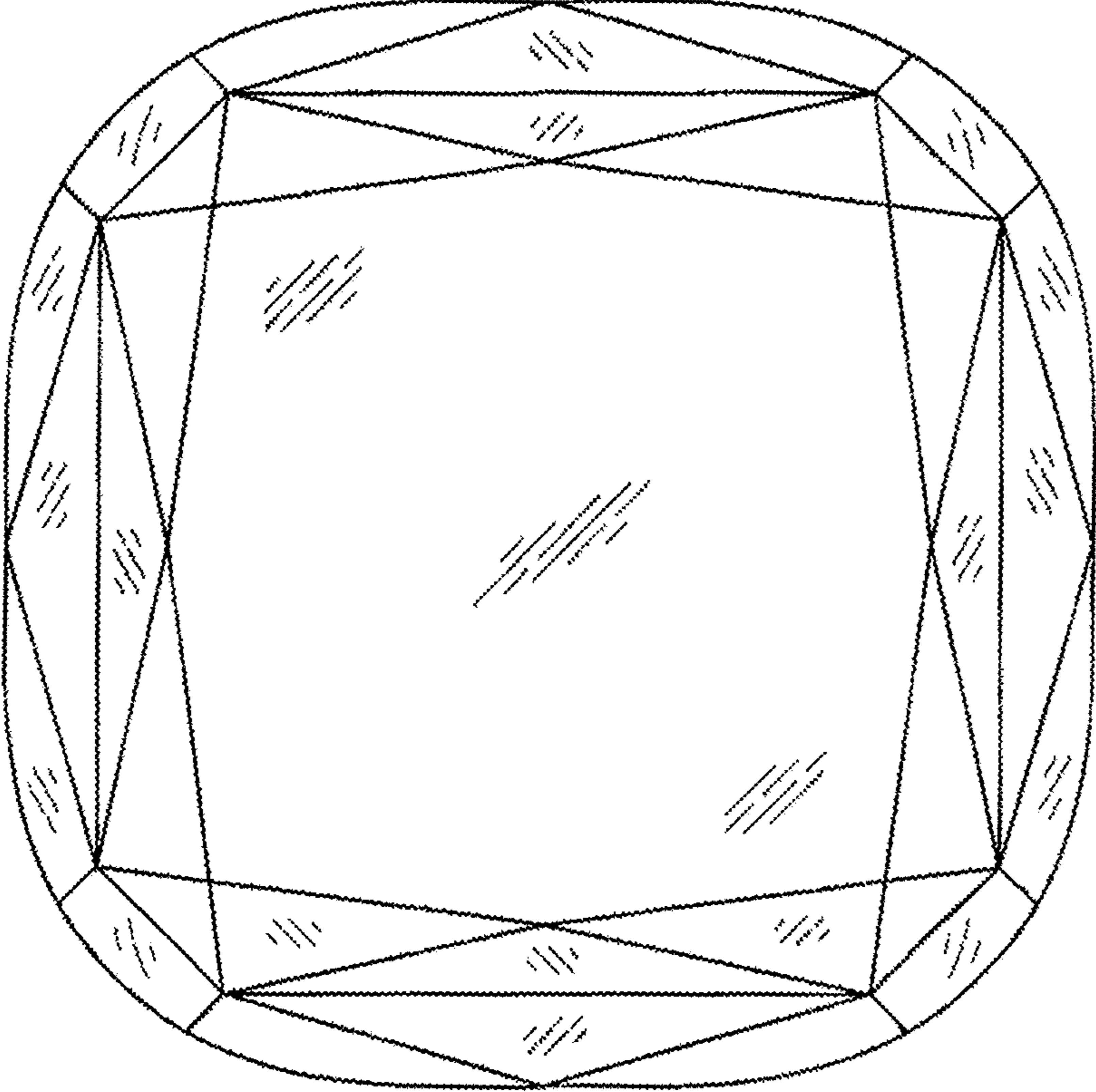


FIG. 6

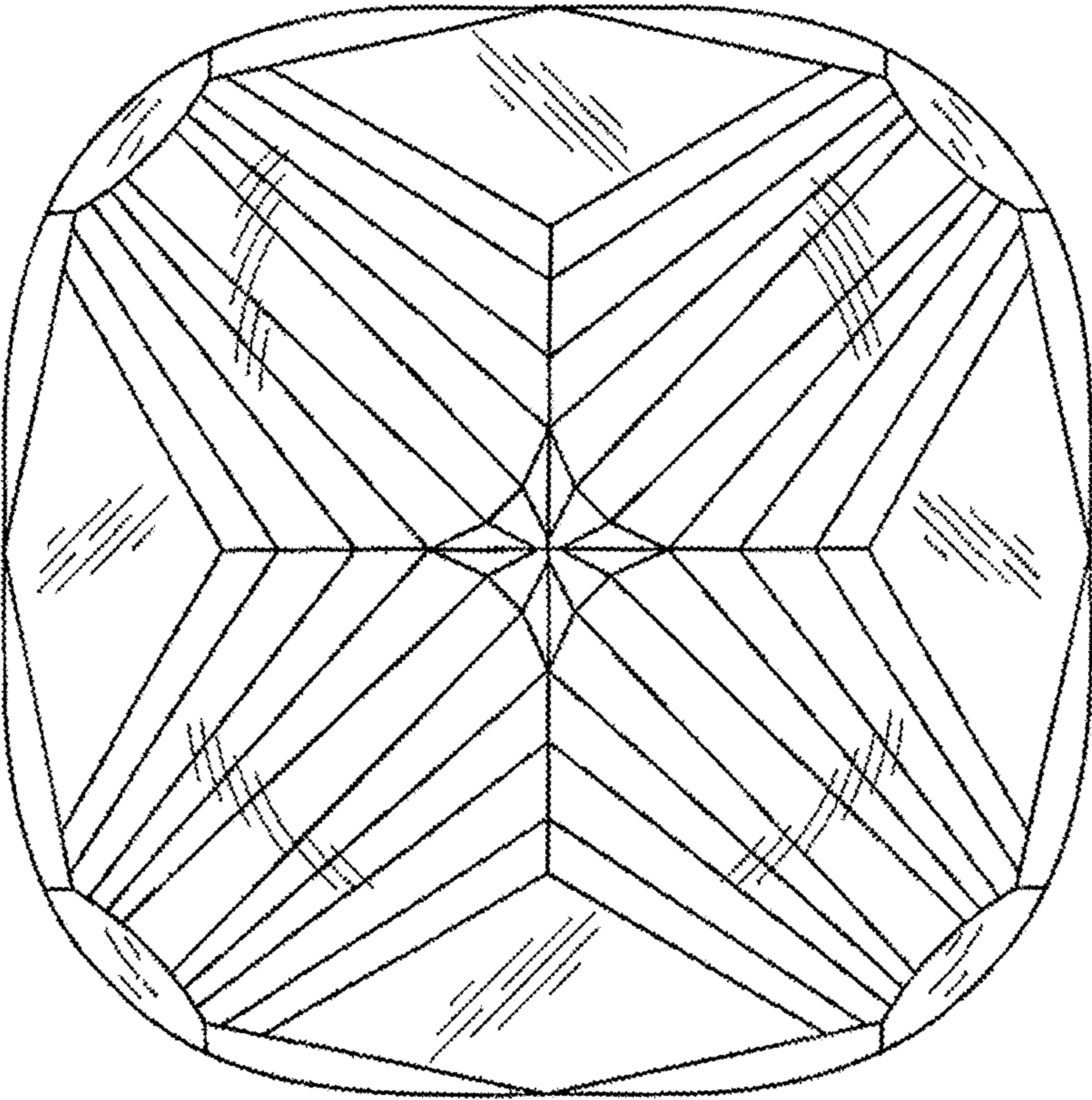


FIG. 7