



US00D81552S

(12) **United States Design Patent**
Gilman et al.

(10) **Patent No.:** **US D815,552 S**
(45) **Date of Patent:** **** Apr. 17, 2018**

(54) **CHANNEL MARKER**

(71) Applicant: **Gilman Corporation**, Gilman, CT (US)

(72) Inventors: **Elizabeth A. Gilman**, Gilman, CT (US); **Richard L. Gilman**, Gilman, CT (US)

(73) Assignee: **GILMAN CORPORATION**, Gilman, CT (US)

(**) Term: **15 Years**

(21) Appl. No.: **29/537,474**

(22) Filed: **Aug. 26, 2015**

(51) **LOC (11) Cl.** **10-05**

(52) **U.S. Cl.**
USPC **D10/107**

(58) **Field of Classification Search**
USPC D10/107
CPC B63B 22/00; G01V 1/38
See application file for complete search history.

(56) **References Cited**

U.S. PATENT DOCUMENTS

- 4,669,989 A * 6/1987 Havlick B63B 22/00
441/1
- D362,641 S * 9/1995 Testerman, II D10/107
- D451,044 S * 11/2001 Campman D10/107
- D475,313 S * 6/2003 Baker D10/107
- 8,593,905 B2 * 11/2013 Gagliardi G01V 1/38
114/140

D784,175 S * 4/2017 Covelli D10/107

* cited by examiner

Primary Examiner — George D. Kirschbaum

(74) *Attorney, Agent, or Firm* — Cantor Colburn LLP

(57) **CLAIM**

We claim, an ornamental design for a channel marker, as shown and described.

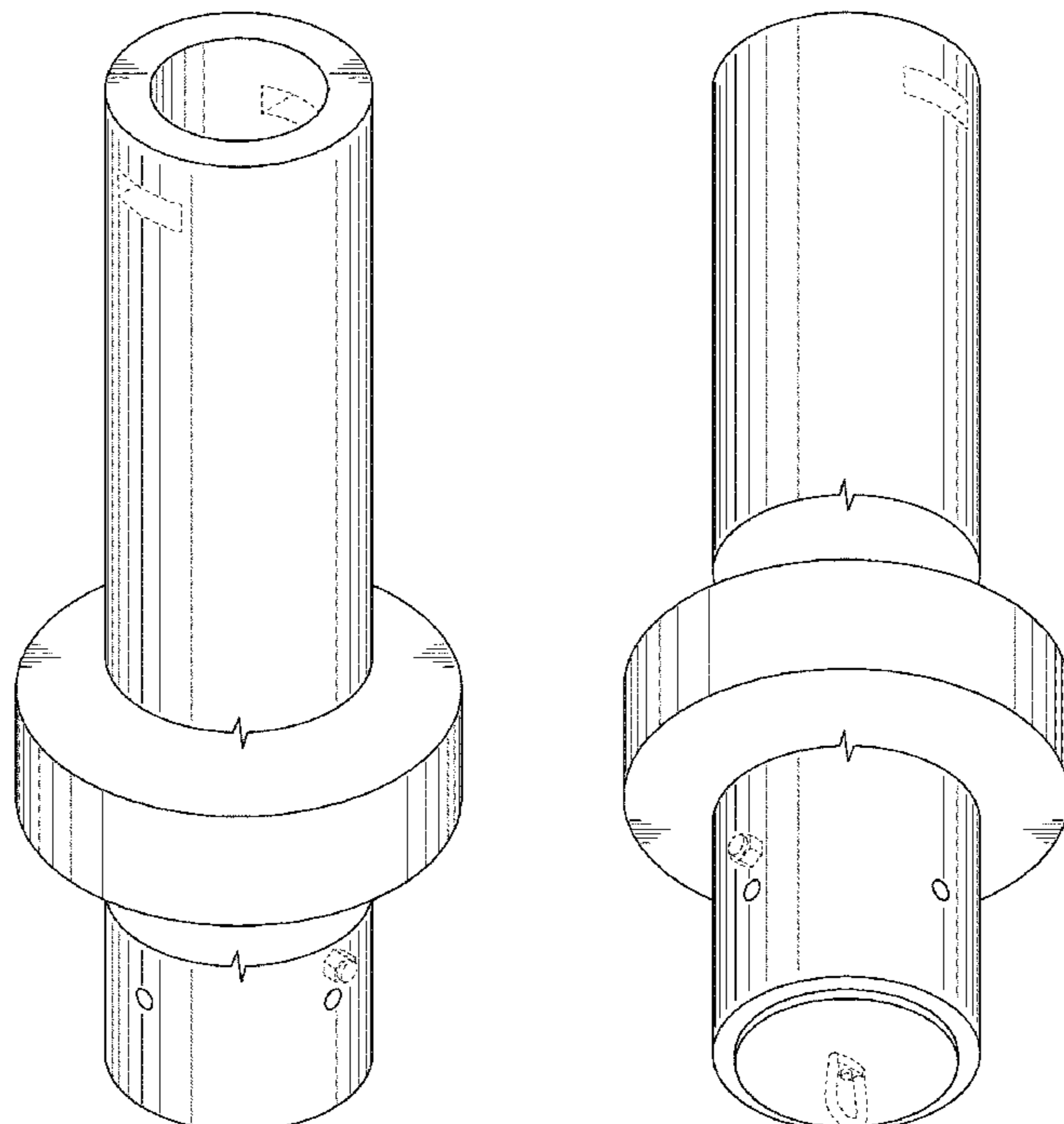
DESCRIPTION

FIG. 1 is a top perspective view of a channel marker, showing our design in another embodiment;
 FIG. 2 is a bottom perspective view of the embodiment of FIG. 1;
 FIG. 3 is a front elevation view of the embodiment of FIG. 1;
 FIG. 4 is a rear elevation view of the embodiment of FIG. 1;
 FIG. 5 is a left side elevation view of the embodiment of FIG. 1;
 FIG. 6 is a right side elevation view of the embodiment of FIG. 1;
 FIG. 7 is a top plan view of the embodiment of FIG. 1; and,
 FIG. 8 is a bottom plan view of the embodiment of FIG. 1.
 References to “top,” “bottom,” “front,” “rear,” “right,” and “left” in the Figure Descriptions are not meant to require any specific orientation of the article as viewed.

The dashed lines shown in the drawings represent portions of the article that form no part of the claimed design and are intended to delimit subject matter from unclaimed subject matter.

The body of the channel marker is shown with a symbolic break in its length and width. The appearance of any portion of the article between the break lines forms no part of the claimed design.

1 Claim, 4 Drawing Sheets



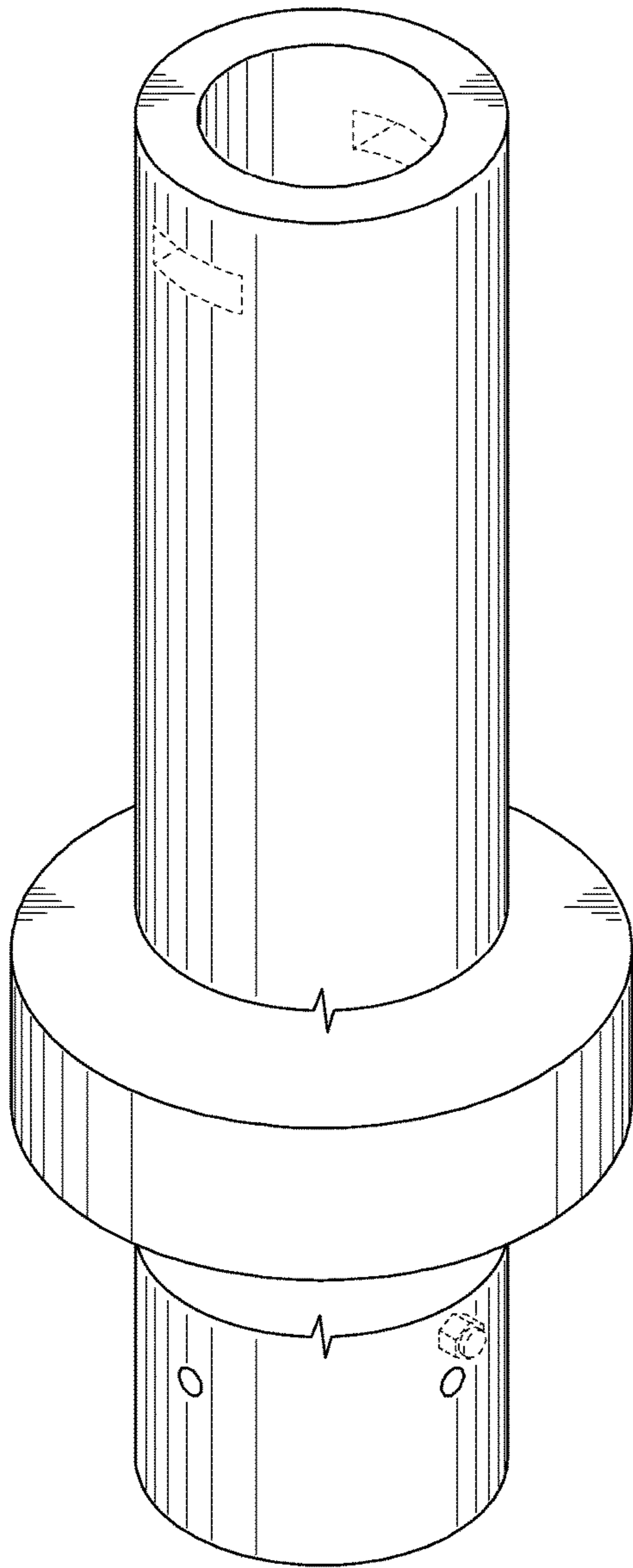


FIG. 1

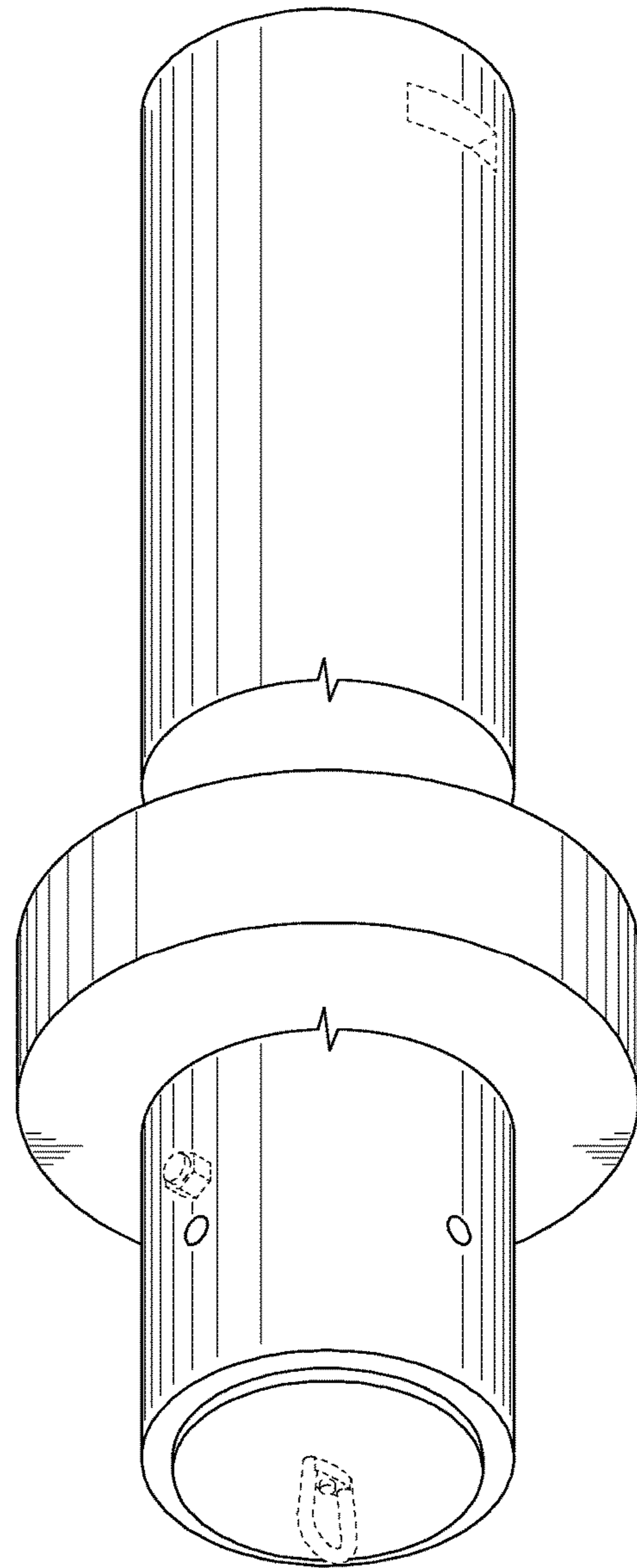


FIG. 2

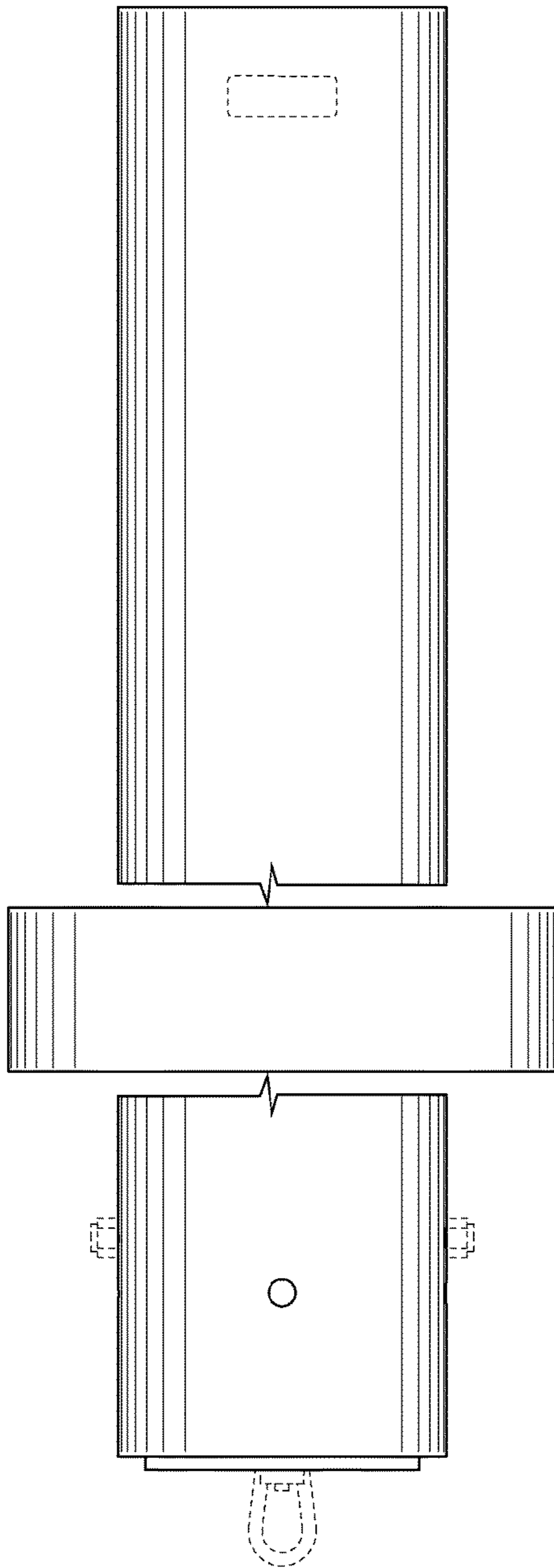


FIG. 3

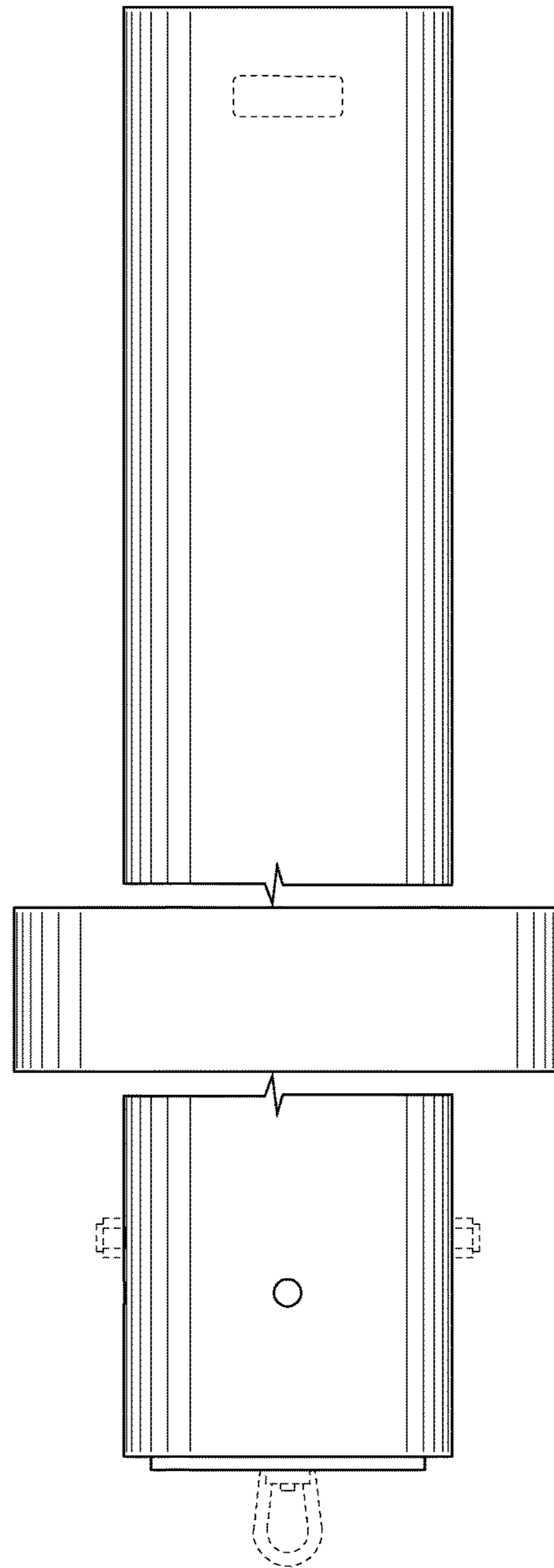


FIG. 4

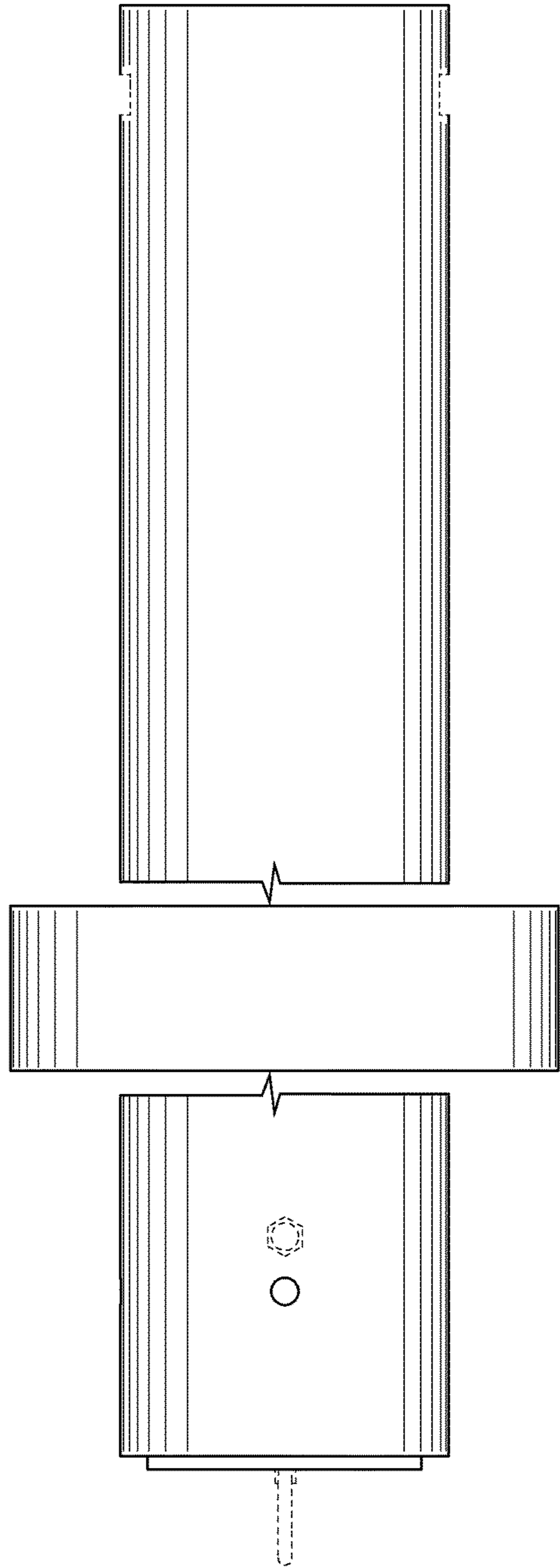


FIG. 5

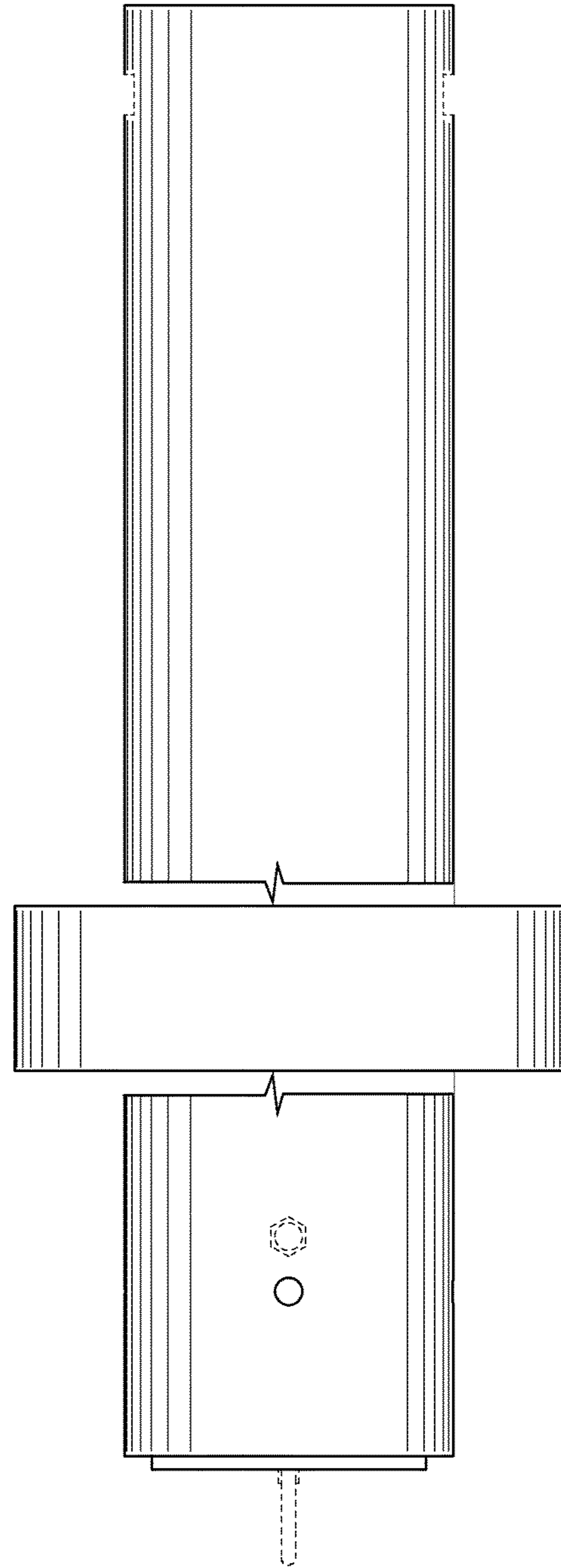


FIG. 6

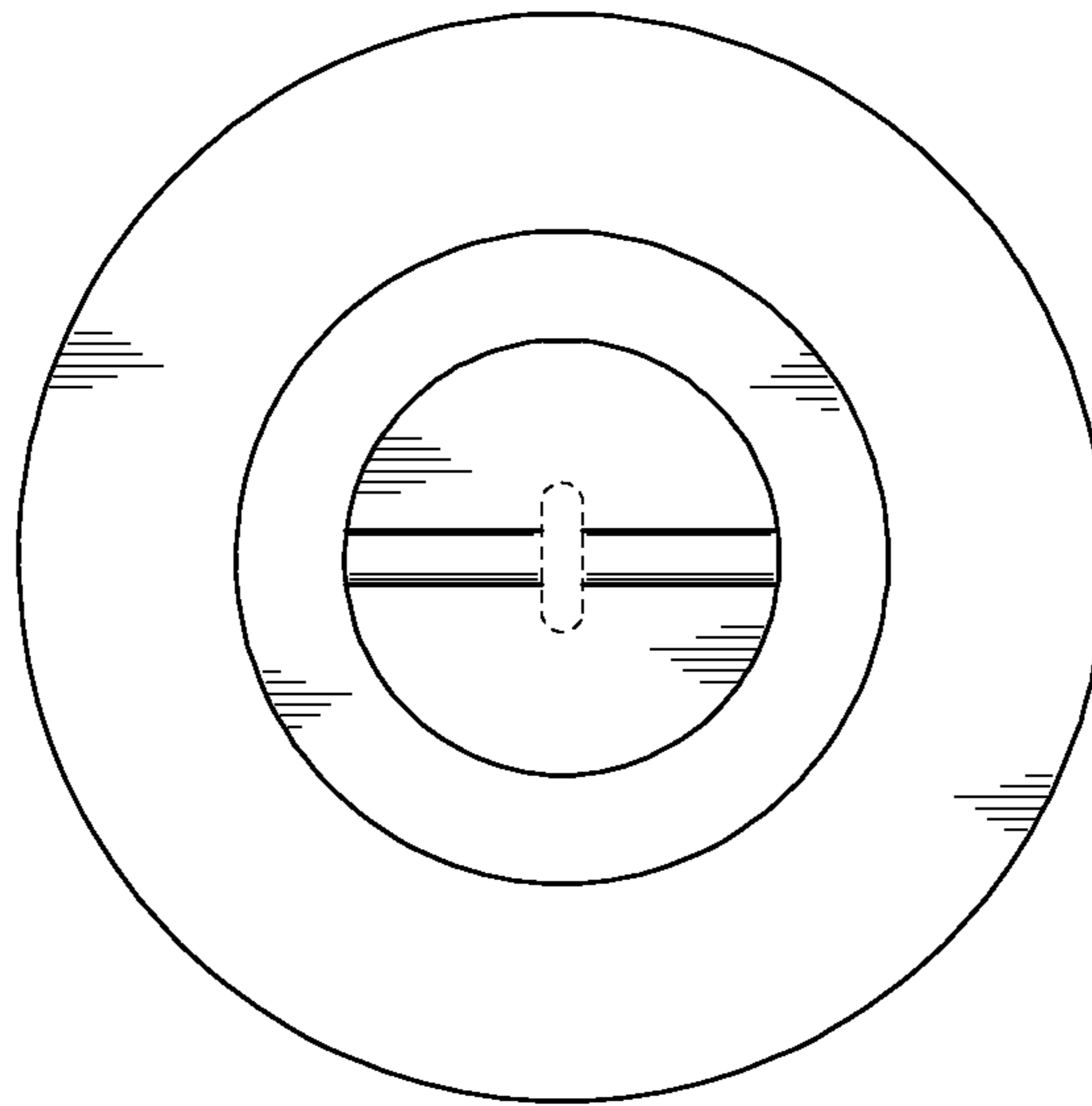


FIG. 7

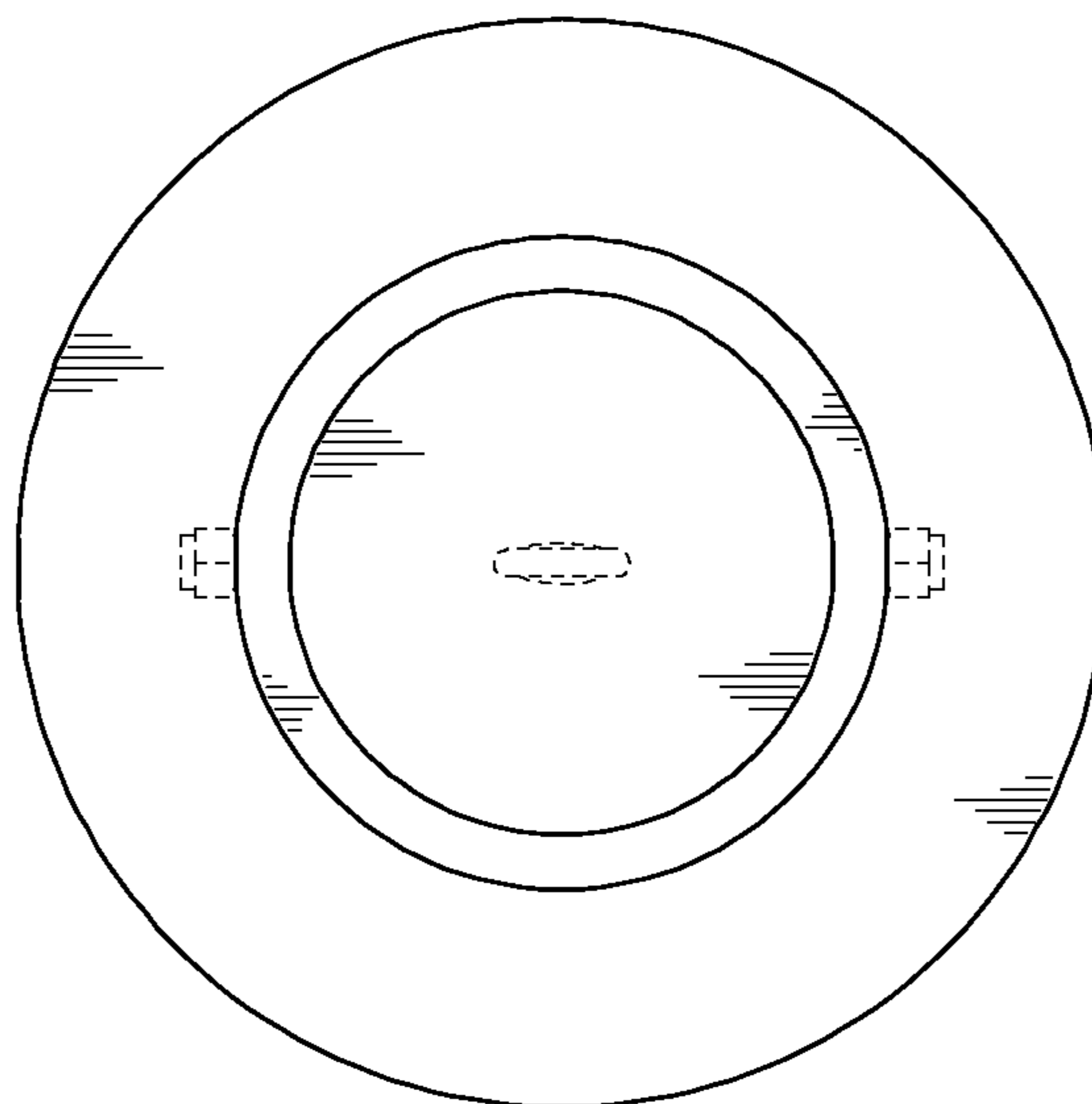


FIG. 8