



US00D815551S

(12) **United States Design Patent** (10) **Patent No.:** **US D815,551 S**
Taylor et al. (45) **Date of Patent:** **** Apr. 17, 2018**

- (54) **PERSONAL EMERGENCY ALERTING DEVICE**
- (71) Applicant: **Inovonics Wireless Corporation**,
Louisville, CO (US)
- (72) Inventors: **Harry B. Taylor**, Lafayette, CO (US);
Todd Stanley, Broomfield, CO (US);
Sean Lewis, Denver, CO (US);
Christian Huber, Louisville, CO (US);
Daryl Burkhard, Erie, CO (US); **Carol Markert**, Thornton, CO (US); **Rashid Al-hamoodah**, Longmont, CO (US);
Floyd Nishi, Erie, CO (US); **Mark Jarman**, Louisville, CO (US); **Don Commare**, Brighton, CO (US);
Michael Slack, Louisville, CO (US);
Eric Roth, Louisville, CO (US)
- (73) Assignee: **INOVONICS WIRELESS CORPORATION**, Louisville, CO (US)
- (**) Term: **15 Years**
- (21) Appl. No.: **29/534,728**
- (22) Filed: **Jul. 30, 2015**
- (51) **LOC (11) Cl.** **10-05**
- (52) **U.S. Cl.**
USPC **D10/104.1**
- (58) **Field of Classification Search**
USPC D10/104.1, 104.2, 65

(Continued)

(56) **References Cited**

U.S. PATENT DOCUMENTS

- 4,491,970 A * 1/1985 LaWhite H04B 1/0343
455/100
- D596,514 S * 7/2009 Luzar D10/65

(Continued)

OTHER PUBLICATIONS

Medical Alert, Image of "Cellular PERS Pendant" as pictured on website page for "Medical Alert Systems & Services," retrieved from <http://www.medicalalert.com/personal-emergency-products.html> on Nov. 9, 2015.

(Continued)

Primary Examiner — George D. Kirschbaum
(74) *Attorney, Agent, or Firm* — Snyder, Clark, Lesch & Chung, LLP

(57) **CLAIM**

The ornamental design for the personal emergency alerting device, as shown and described.

DESCRIPTION

FIG. 1 is an isometric top view of a wrist-mounted personal emergency alerting device in accordance with an exemplary embodiment of the design;

FIG. 2 is a bottom view of the wrist-mounted personal emergency alerting device of FIG. 1;

FIG. 3 is a top view of the wrist-mounted personal emergency alerting device of FIG. 1;

FIG. 4 is a right side view of the wrist-mounted personal emergency alerting device of FIG. 1;

FIG. 5 is a left side view of the wrist-mounted personal emergency alerting device of FIG. 1;

FIG. 6 is a front view of the wrist-mounted personal emergency alerting device of FIG. 1;

FIG. 7 is a back view of the wrist-mounted personal emergency alerting device of FIG. 1;

FIG. 8 is an isometric top view of a wrist-mounted personal emergency alerting device;

FIG. 9 is a top view of the wrist-mounted personal emergency alerting device of FIG. 8;

FIG. 10 is a bottom view of the wrist-mounted personal emergency alerting device of FIG. 8;

FIG. 11 is a left side view of the wrist-mounted personal emergency alerting device of FIG. 8;

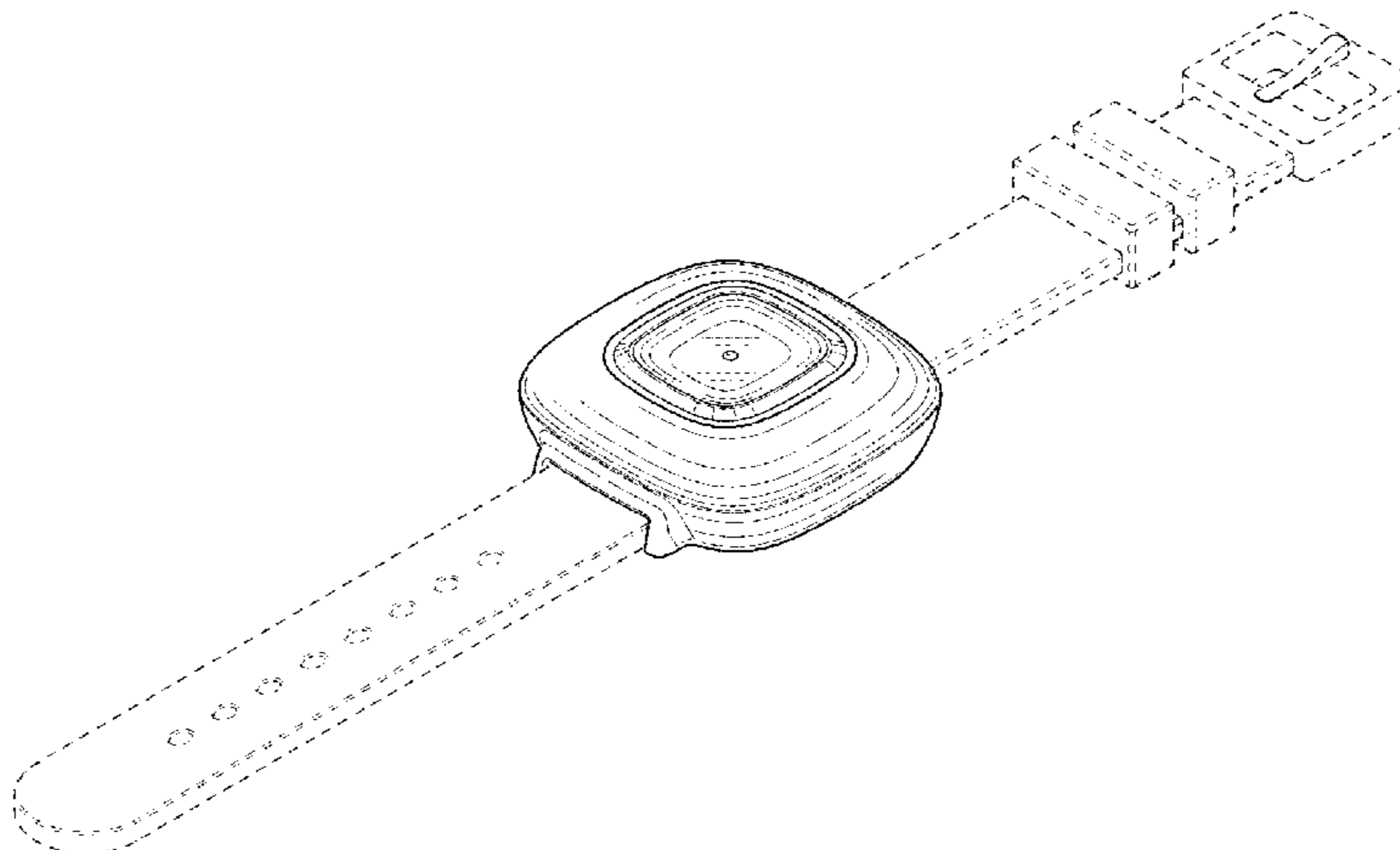
FIG. 12 is a right side view of the wrist-mounted personal emergency alerting device of FIG. 8;

FIG. 13 is a front view of the wrist-mounted personal emergency alerting device of FIG. 8; and,

FIG. 14 is a back view of the wrist-mounted personal emergency alerting device of FIG. 8.

The broken line showing of a wrist band is included for the purpose of illustrating portions of the "article" and forms no part of the claimed design.

1 Claim, 8 Drawing Sheets



(58) **Field of Classification Search**

CPC H04B 1/0343; A61B 5/0205
See application file for complete search history.

(56) **References Cited**

U.S. PATENT DOCUMENTS

D679,618	S	*	4/2013	Dumas	D10/104.2
D683,251	S	*	5/2013	Dumas	D10/104.2
D708,534	S	*	7/2014	Martin	D10/104.1
D711,758	S	*	8/2014	Heath	D10/104.1
D746,709	S	*	1/2016	Heath	D10/104.2
D755,657	S	*	5/2016	Xu	D10/104.1
D777,592	S	*	1/2017	Benoit	D10/104.1
2006/0006998	A1	*	1/2006	Carlson	A61B 5/0205 340/539.12

OTHER PUBLICATIONS

Medical Alert, Image of “Cellular PERS Wristband—Black” as pictured on website page for “Medical Alert Systems & Services,” retrieved from <http://www.medicalalert.com/personal-emergency-products.html> on Nov. 9, 2015.

Medical Alert, Image of “Cellular PERS Wristband—White” as pictured on website page for “Medical Alert Systems & Services,” retrieved from <http://www.medicalalert.com/personal-emergency-products.html> on Nov. 9, 2015.

Medical Alert, Website page for “Medical Alert Systems & Services,” retrieved from <http://www.medicalalert.com/personal-emergency-products.html> on Nov. 9, 2015.

* cited by examiner

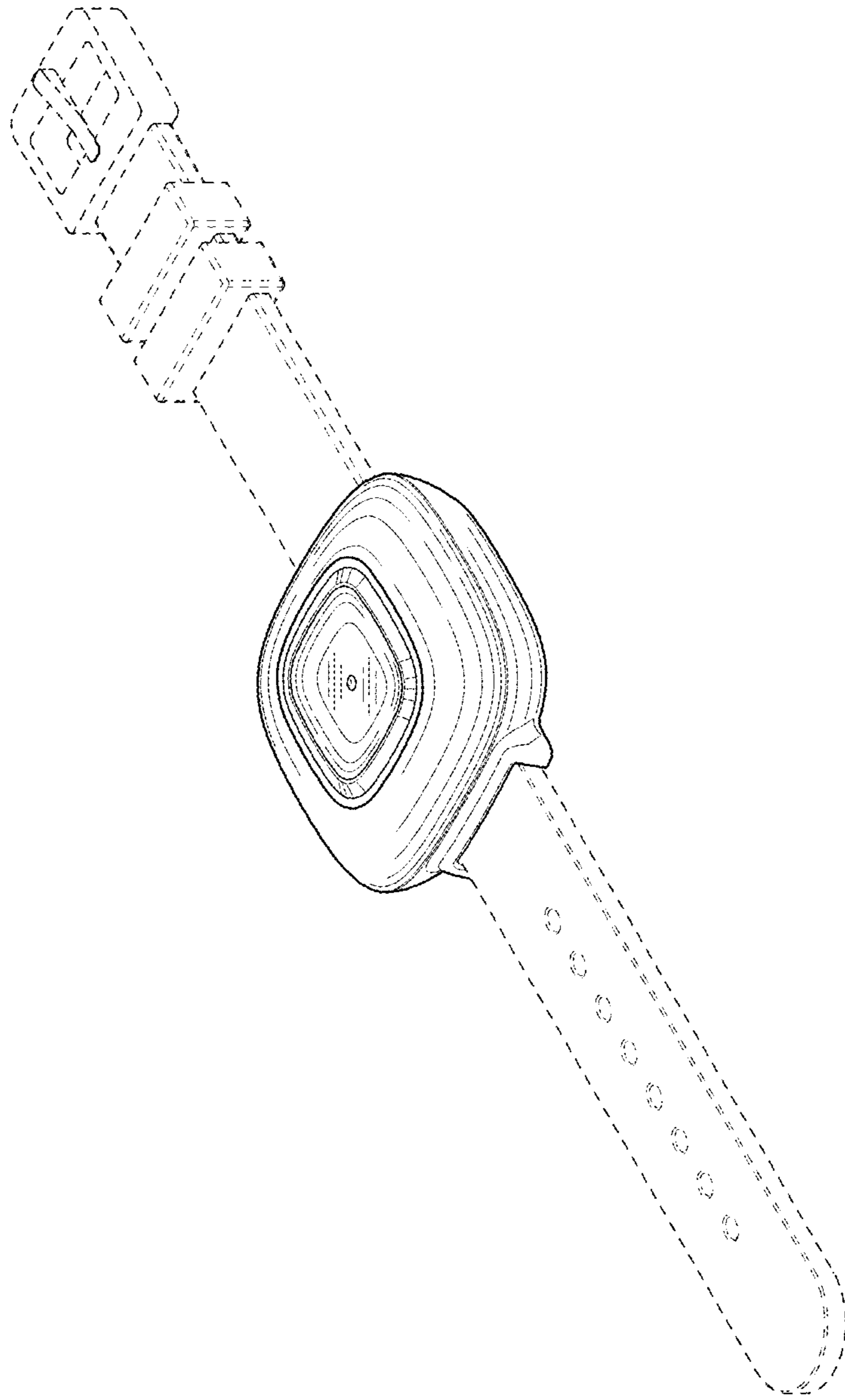


FIG. 1

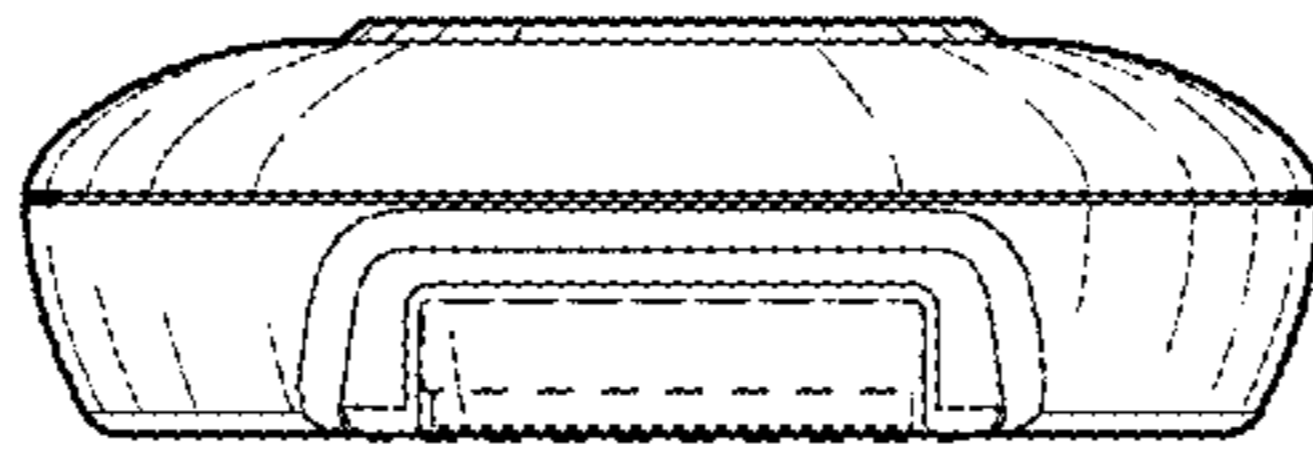


FIG. 2

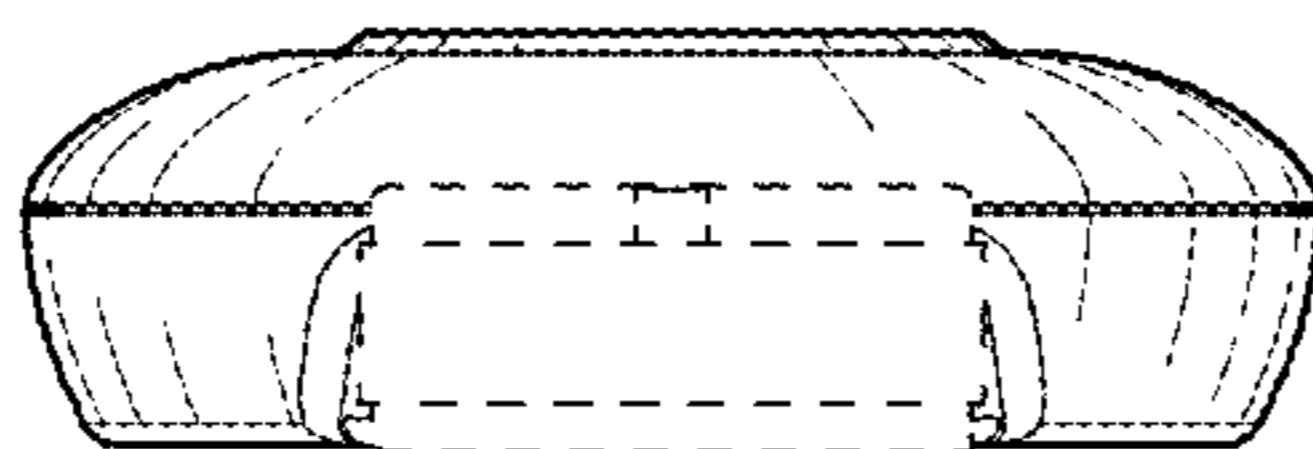


FIG. 3

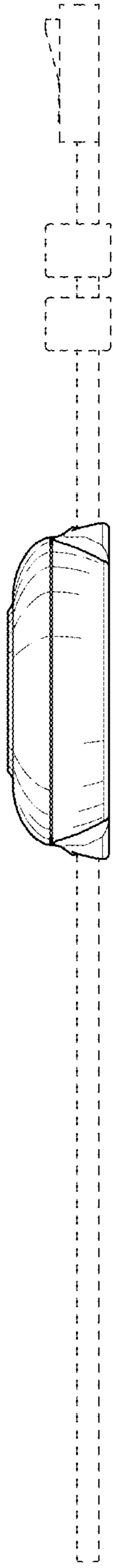


FIG. 4

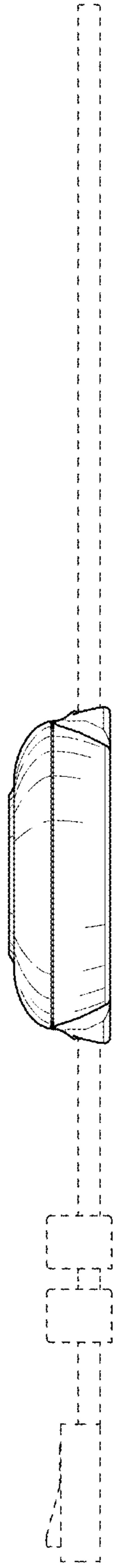


FIG. 5

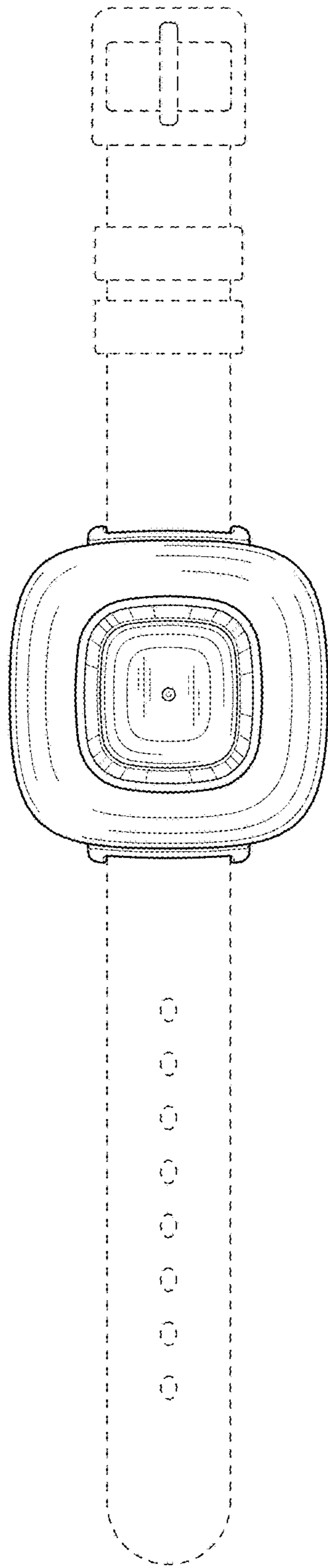


FIG. 6

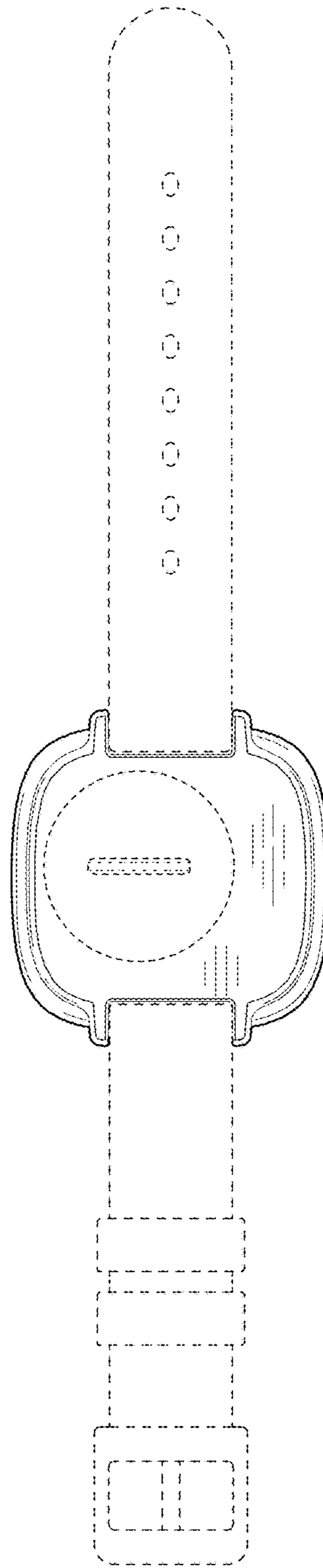


FIG. 7

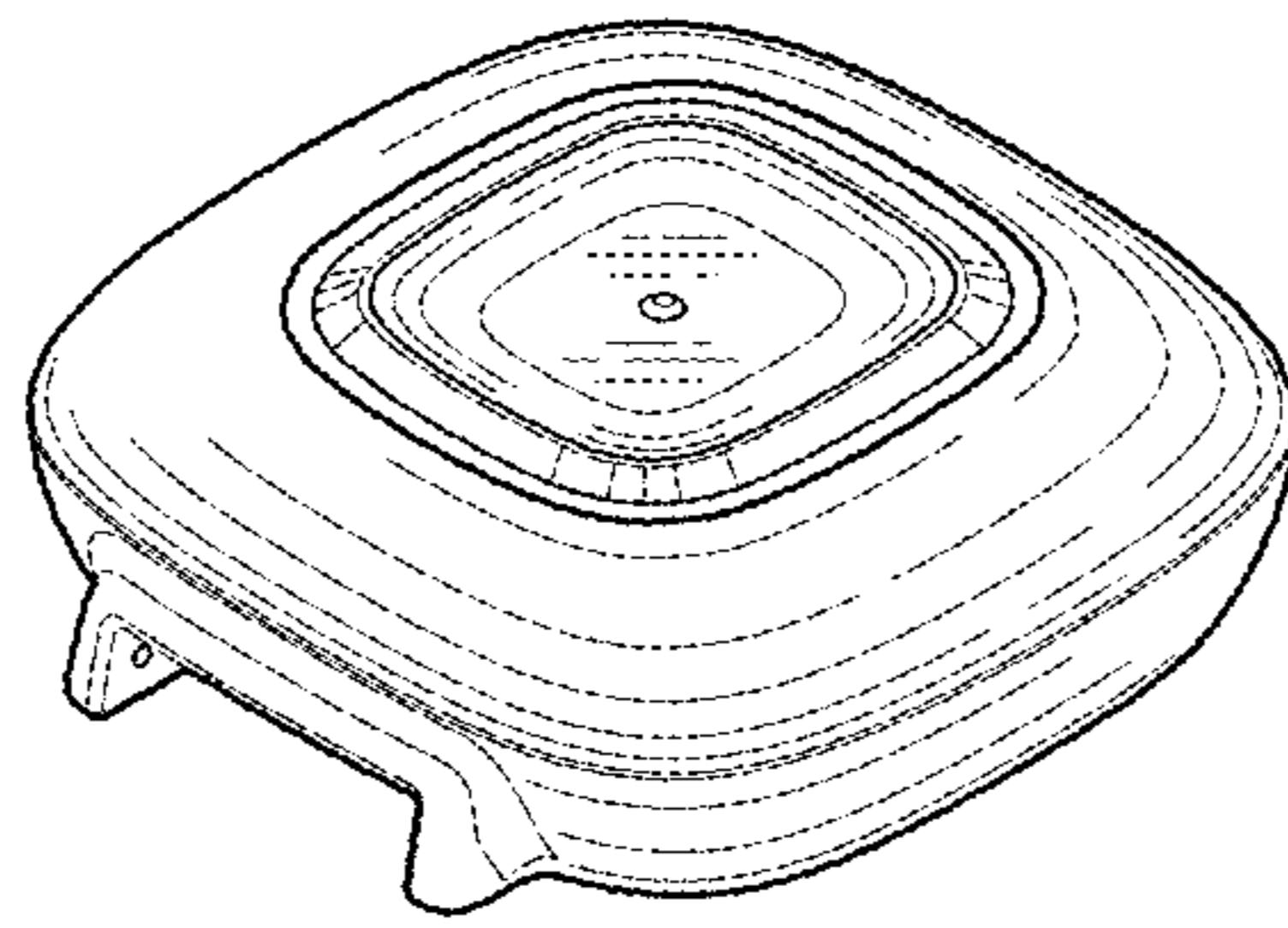


FIG. 8

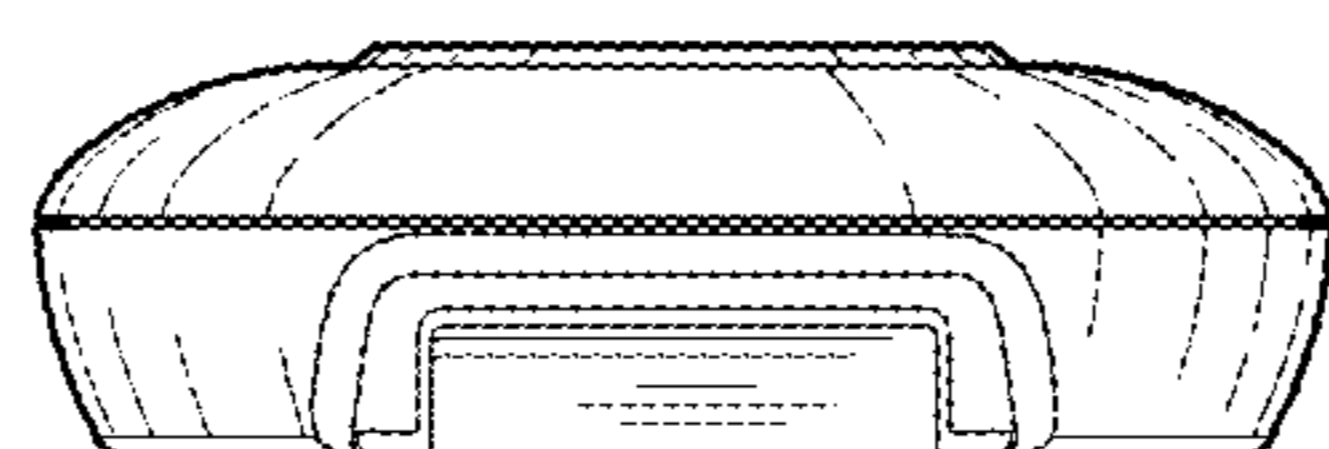


FIG. 9

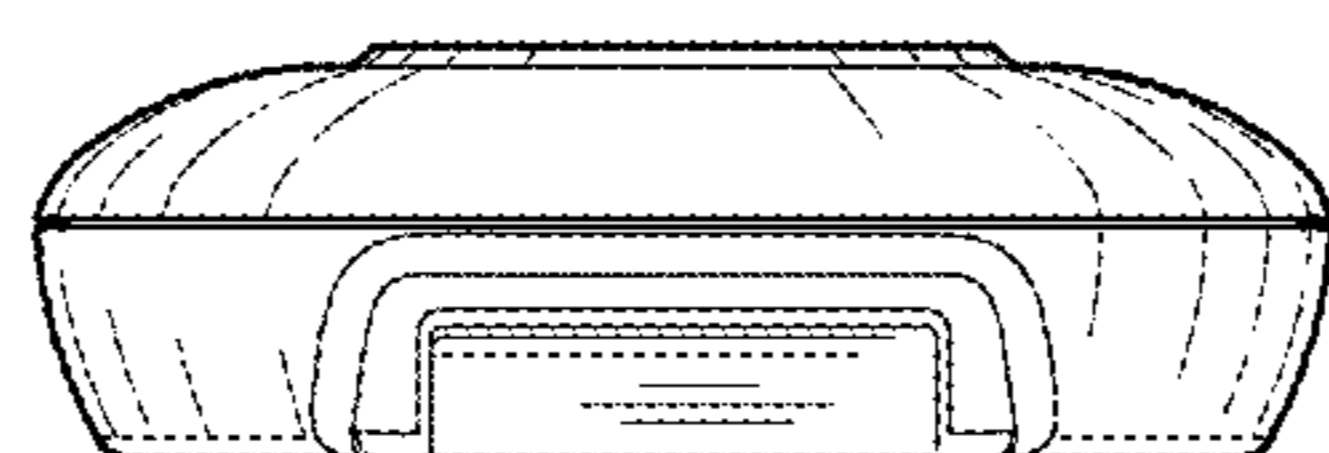


FIG. 10

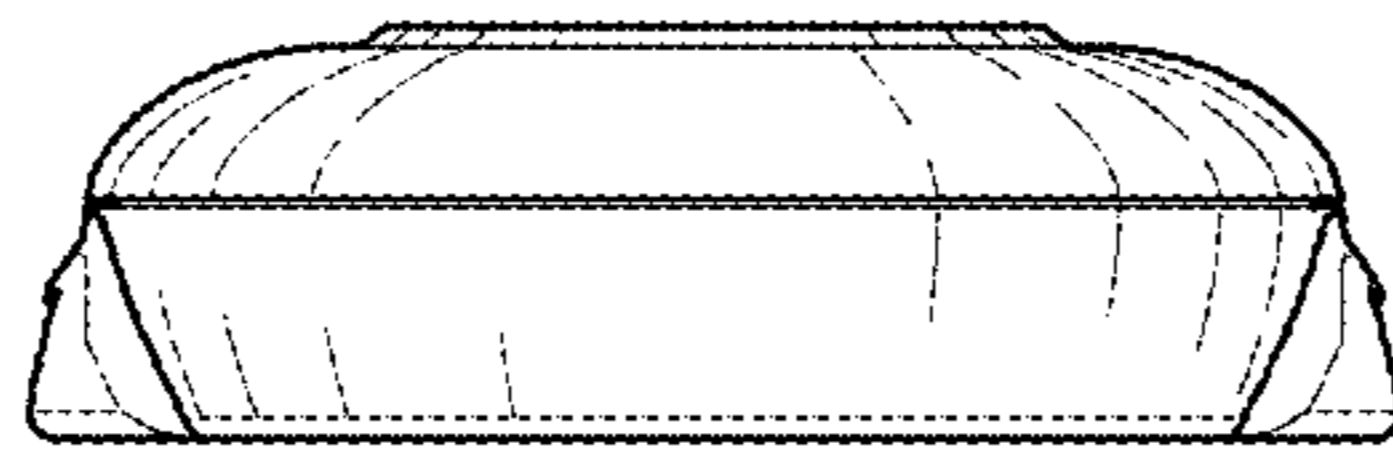


FIG. 11

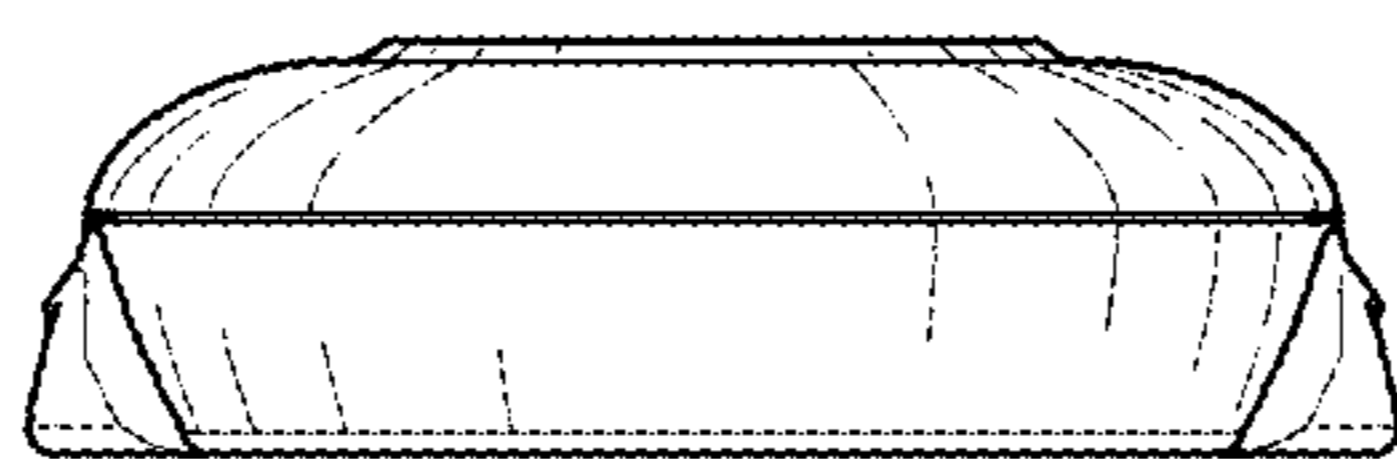


FIG. 12

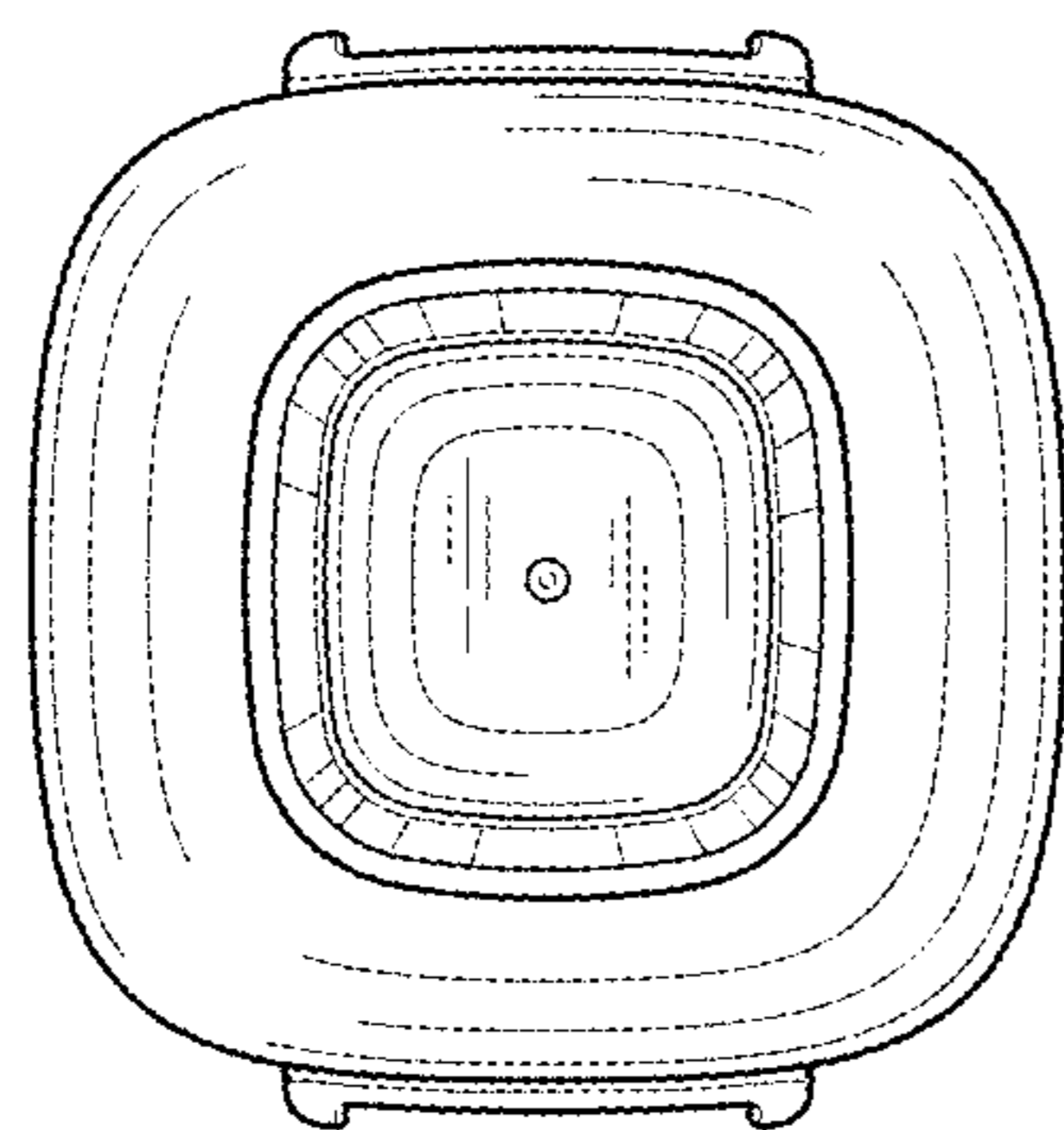


FIG. 13

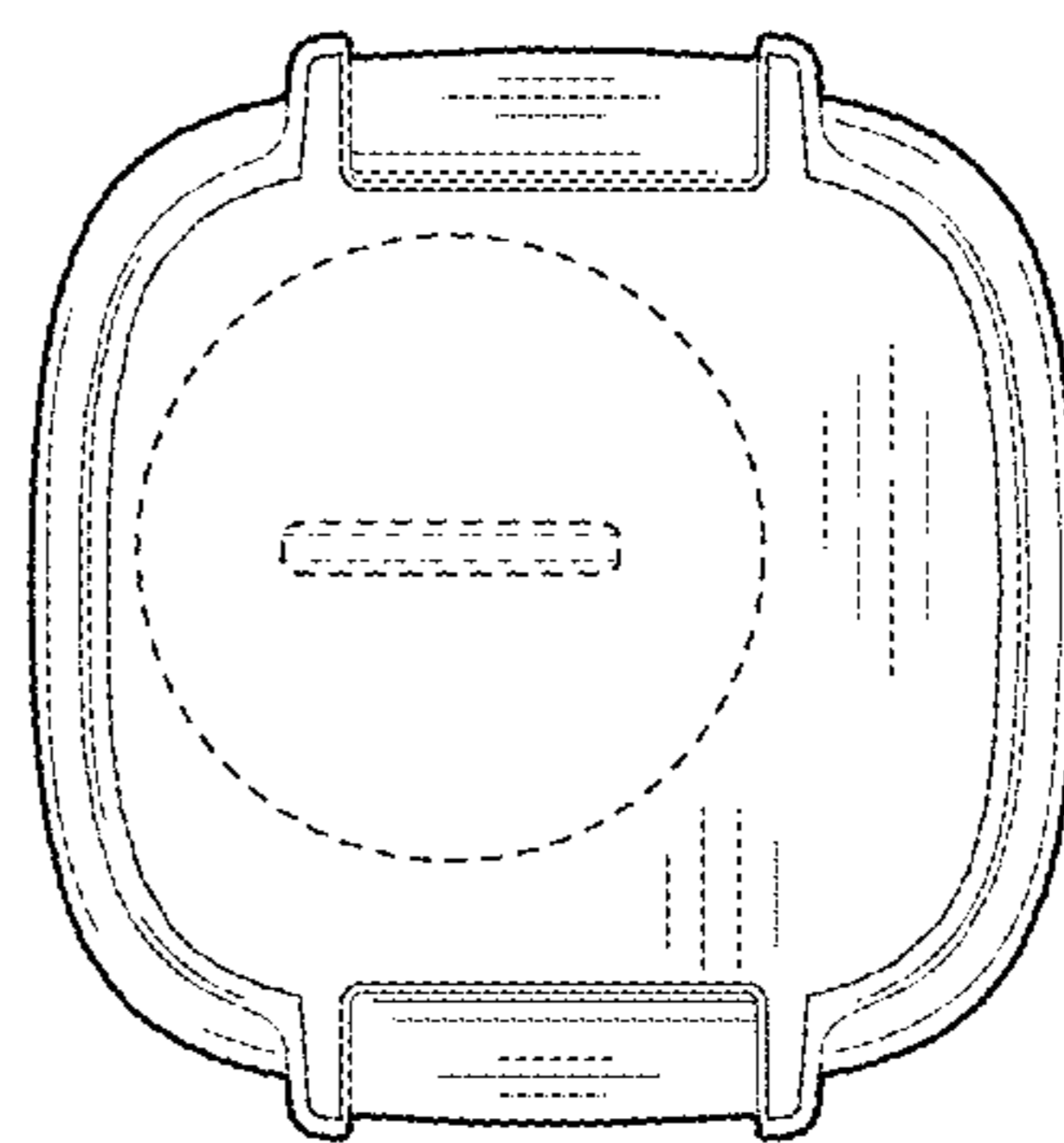


FIG. 14