



US00D815549S

(12) **United States Design Patent**
Sullivan

(10) **Patent No.:** **US D815,549 S**

(45) **Date of Patent:** **** Apr. 17, 2018**

(54) **PICTURE HANGING TOOL**

(71) Applicant: **Scott Sullivan**, San Francisco, CA (US)

(72) Inventor: **Scott Sullivan**, San Francisco, CA (US)

(**) Term: **15 Years**

(21) Appl. No.: **29/584,732**

(22) Filed: **Nov. 16, 2016**

(51) **LOC (11) Cl.** **10-04**

(52) **U.S. Cl.**
USPC **D10/62; D10/65**

(58) **Field of Classification Search**
USPC D10/62, 65, 70
CPC A47G 1/16; A47G 1/1606; A47G 1/1613;
A47G 1/162; A47G 1/1626; A47G
1/1633; A47G 1/164; A47G 1/1646;
A47G 1/1653; A47G 1/166; A47G
1/1666; A47G 2001/1673; A47G 1/168;
A47G 1/1686; A47G 2001/1693; A47G
1/17; A47G 1/175; A47G 1/18; A47G
1/20; A47G 1/202; A47G 1/205; A47G
2001/207; A47G 1/21; A47G 1/215;
A47G 1/22; A47G 1/24; G01C 15/02

See application file for complete search history.

(56) **References Cited**

U.S. PATENT DOCUMENTS

D282,054	S	*	1/1986	Hoffman	248/544
D339,075	S	*	9/1993	Hindall	D10/65
6,971,184	B2	*	12/2005	Prevost	A47G 1/205 33/577
D513,575	S	*	1/2006	Carson	D8/16
D565,974	S	*	4/2008	Schapanski	D10/62
8,840,080	B1	*	9/2014	Gordon	F16M 13/02 248/216.4

* cited by examiner

Primary Examiner — Antoine Duval Davis

(57) **CLAIM**

The ornamental design for a picture hanging tool, as shown and described.

DESCRIPTION

FIG. 1 is a top front perspective view of a picture hanging tool showing my new design;
FIG. 2 is a front elevation view thereof;
FIG. 3 is a left side elevation view thereof, the right side elevation view being a mirror image thereof;
FIG. 4 is a rear elevation view thereof;
FIG. 5 is a top plan view thereof; and,
FIG. 6 is a bottom plan view thereof.

1 Claim, 2 Drawing Sheets

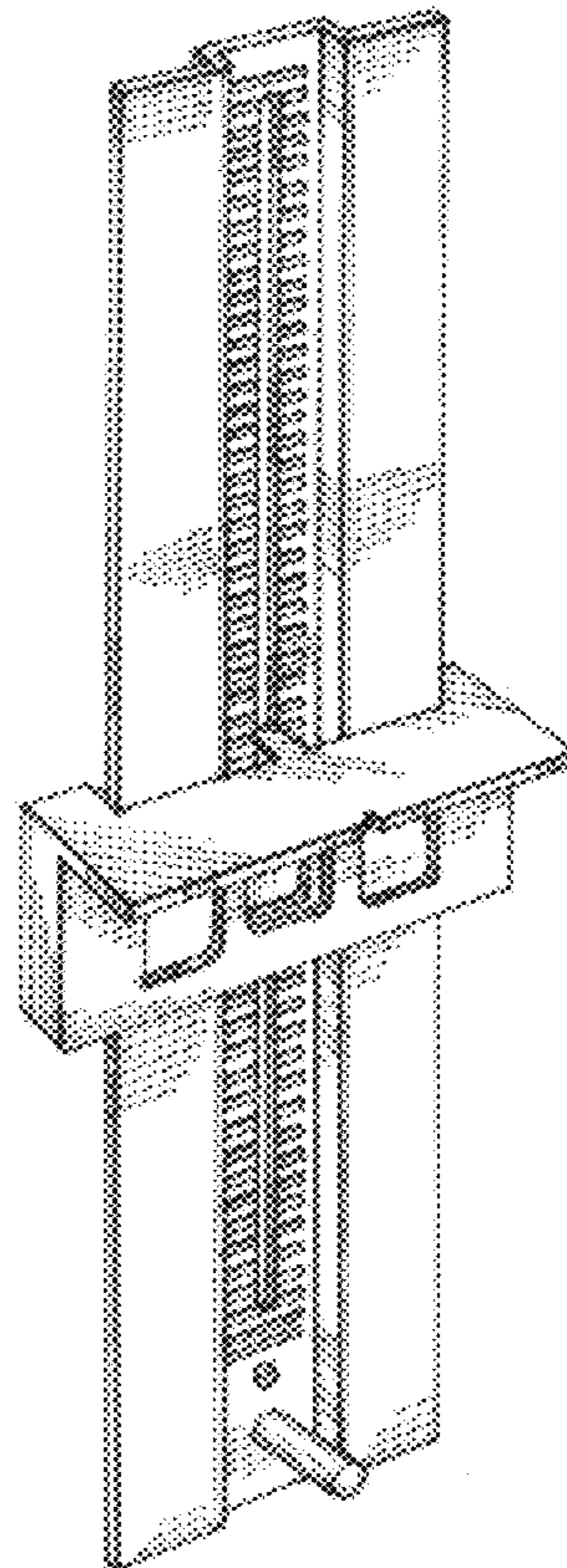


FIG 1

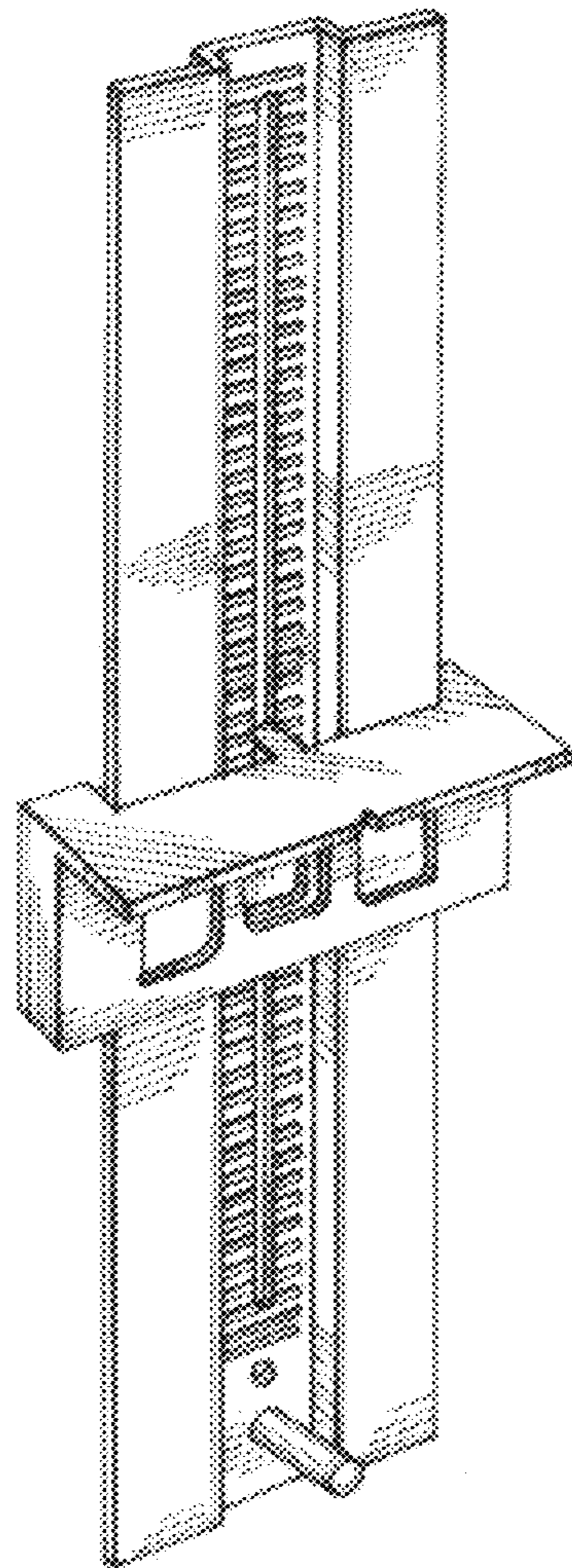


FIG 2

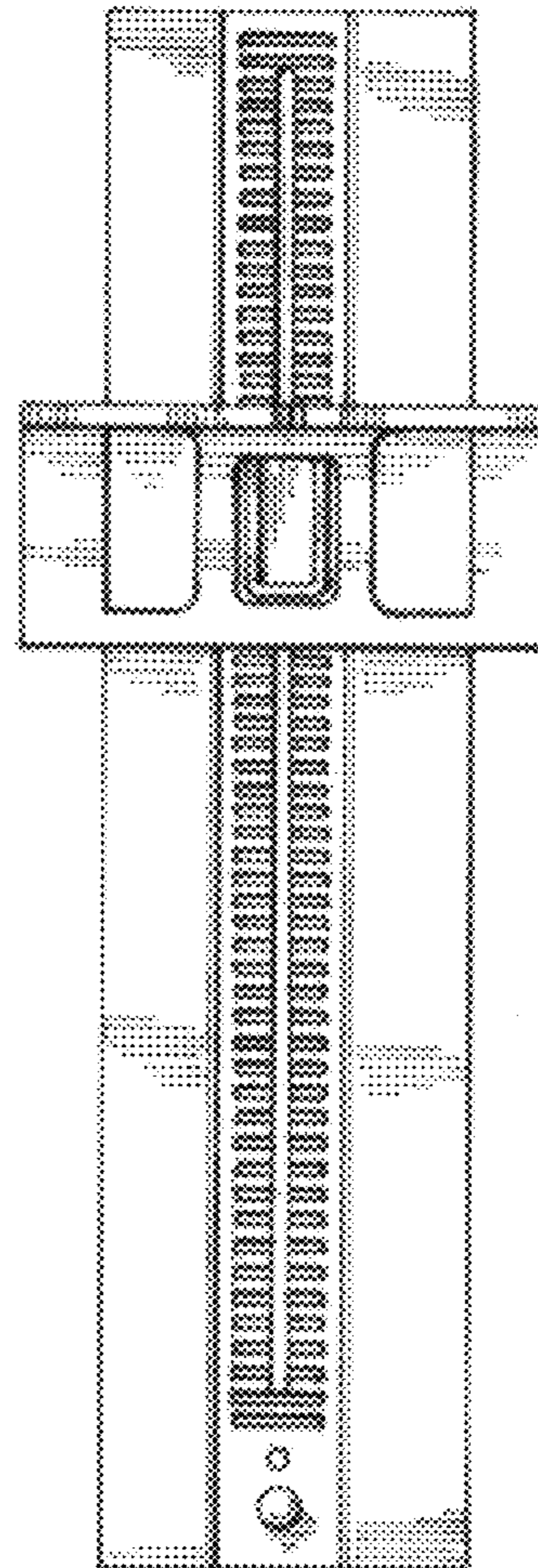


FIG 3



FIG 4

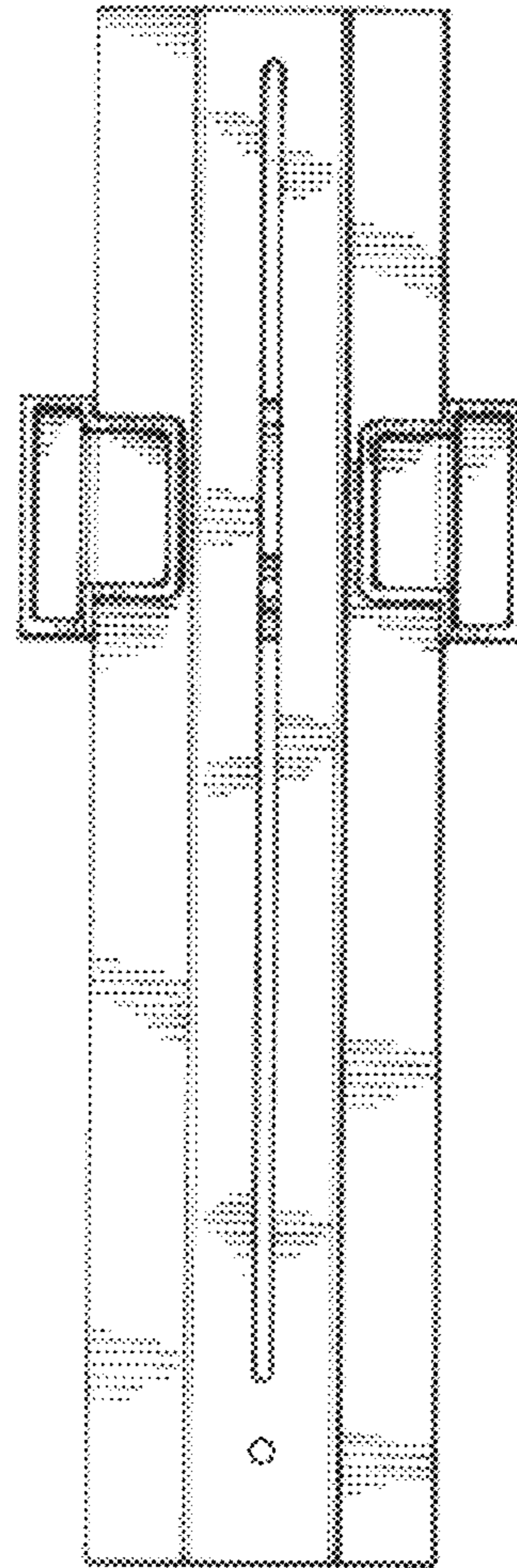


FIG 5



FIG 6

