



US00D815546S

(12) **United States Design Patent** (10) **Patent No.:** **US D815,546 S**
Edwards et al. (45) **Date of Patent:** **** Apr. 17, 2018**

(54) **PILL BOTTLE WITH CAP** 6,390,358 B1 * 5/2002 Stewart B65D 5/703
229/125.08
(71) Applicant: **Breeden Brothers, LLC**, Nashville, TN D460,352 S * 7/2002 Bried D9/422
(US) D519,038 S * 4/2006 Stoddard A47F 1/12
D9/733
(72) Inventors: **Duncan Edwards**, Bronx, NY (US); D534,794 S * 1/2007 Åkeson D27/175
Chuya Lee, New York, NY (US); **Tony** D554,986 S * 11/2007 Galesi D9/420
Breeden, Nashville, TN (US); **Joshua** D609,118 S * 2/2010 Woodworth D9/730
Breeden, Nashville, TN (US) D707,966 S * 7/2014 Settelmayer D3/276
2006/0251780 A1 * 11/2006 Sainz B65D 43/161
426/394
(73) Assignee: **Breeden Brothers, LLC**, Nashville, TN 2011/0101016 A1 * 5/2011 Luciano, Jr. A61J 7/0084
(US) 221/1
2016/0130071 A1 * 5/2016 Li B65D 83/0409
221/174
(**) Term: **15 Years** 2016/0264315 A1 * 9/2016 Downey B65D 65/403
2016/0355322 A1 * 12/2016 Burton, Jr. B65D 83/0805

(21) Appl. No.: **29/586,995**

(22) Filed: **Dec. 8, 2016**

(51) **LOC (11) Cl.** **09-01**

(52) **U.S. Cl.**
USPC **D9/730**

(58) **Field of Classification Search**
USPC D9/414, 430, 715, 721, 730-732;
D3/201, 203.1, 203.2, 273, 294; D7/601,
D7/602

CPC B65D 71/36; B65D 83/38; B65D 83/0805;
B65D 47/243; B65D 2571/0045; B65D
35/08; B65D 2575/586; B65D 83/00;
B65D 83/04; B65D 35/28; B65D
41/0485; B65D 83/20; B65D 83/68;
B65D 85/60; B65D 2231/00; B65D
2571/00444; B65D 51/249
See application file for complete search history.

(56) **References Cited**

U.S. PATENT DOCUMENTS

D430,025 S * 8/2000 Kelsey D9/432
D433,941 S * 11/2000 Kelsey D9/432

* cited by examiner

Primary Examiner — Lauren Calve

(74) *Attorney, Agent, or Firm* — Parker Ibrahim & Berg
LLP; Kenneth J. Heywood; Robert M. Amici

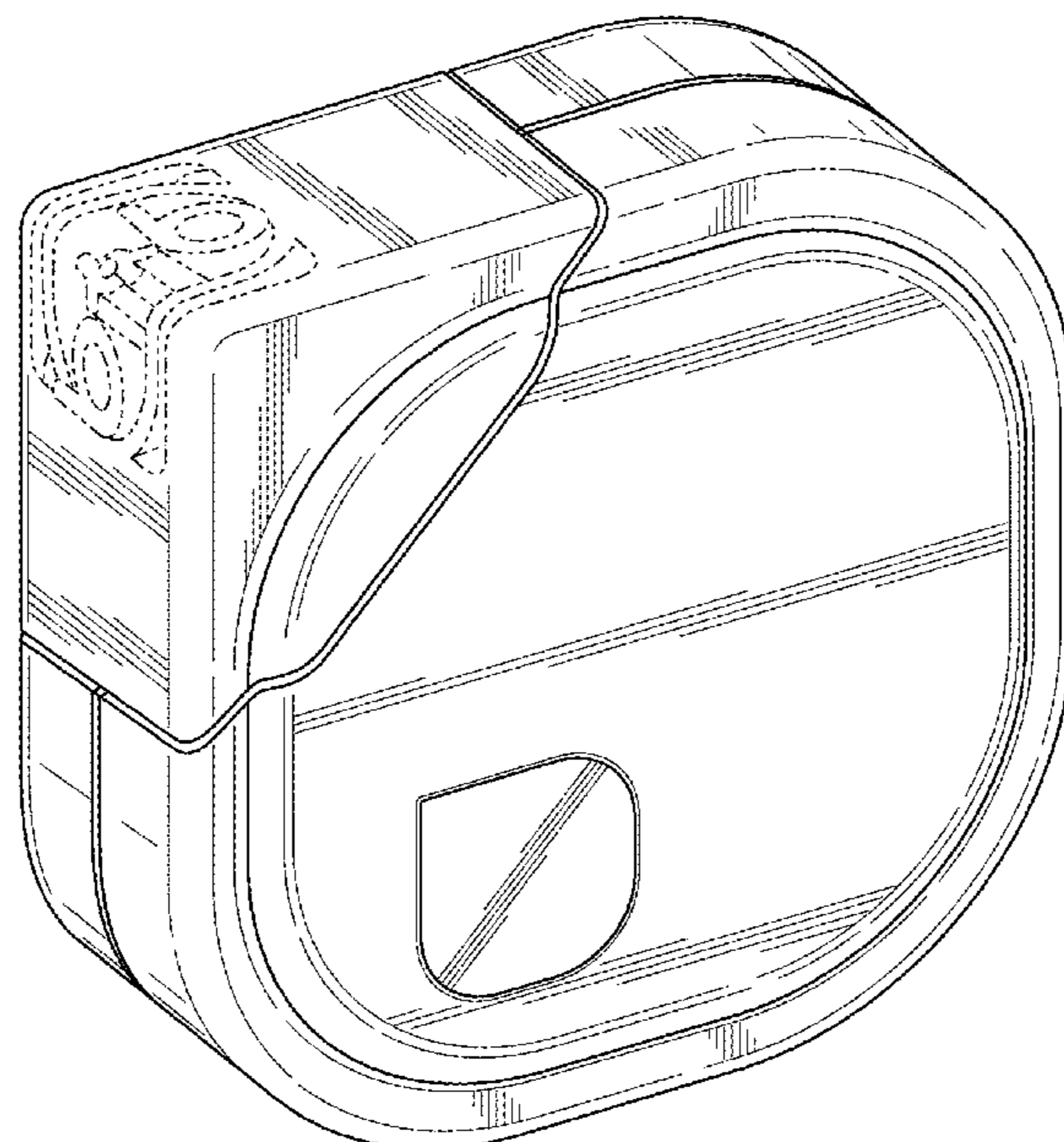
(57) **CLAIM**

The ornamental design for a pill bottle with cap, as shown
and described.

DESCRIPTION

FIG. 1 is a front perspective view of a pill bottle with cap
showing our new design;
FIG. 2 is a front view thereof;
FIG. 3 is a rear view thereof;
FIG. 4 is a left side view thereof;
FIG. 5 is a right side view thereof;
FIG. 6 is a top side view thereof; and,
FIG. 7 is a bottom side view thereof.
The broken lines shown represent unclaimed subject matter
and form no part of the claimed design.

1 Claim, 5 Drawing Sheets



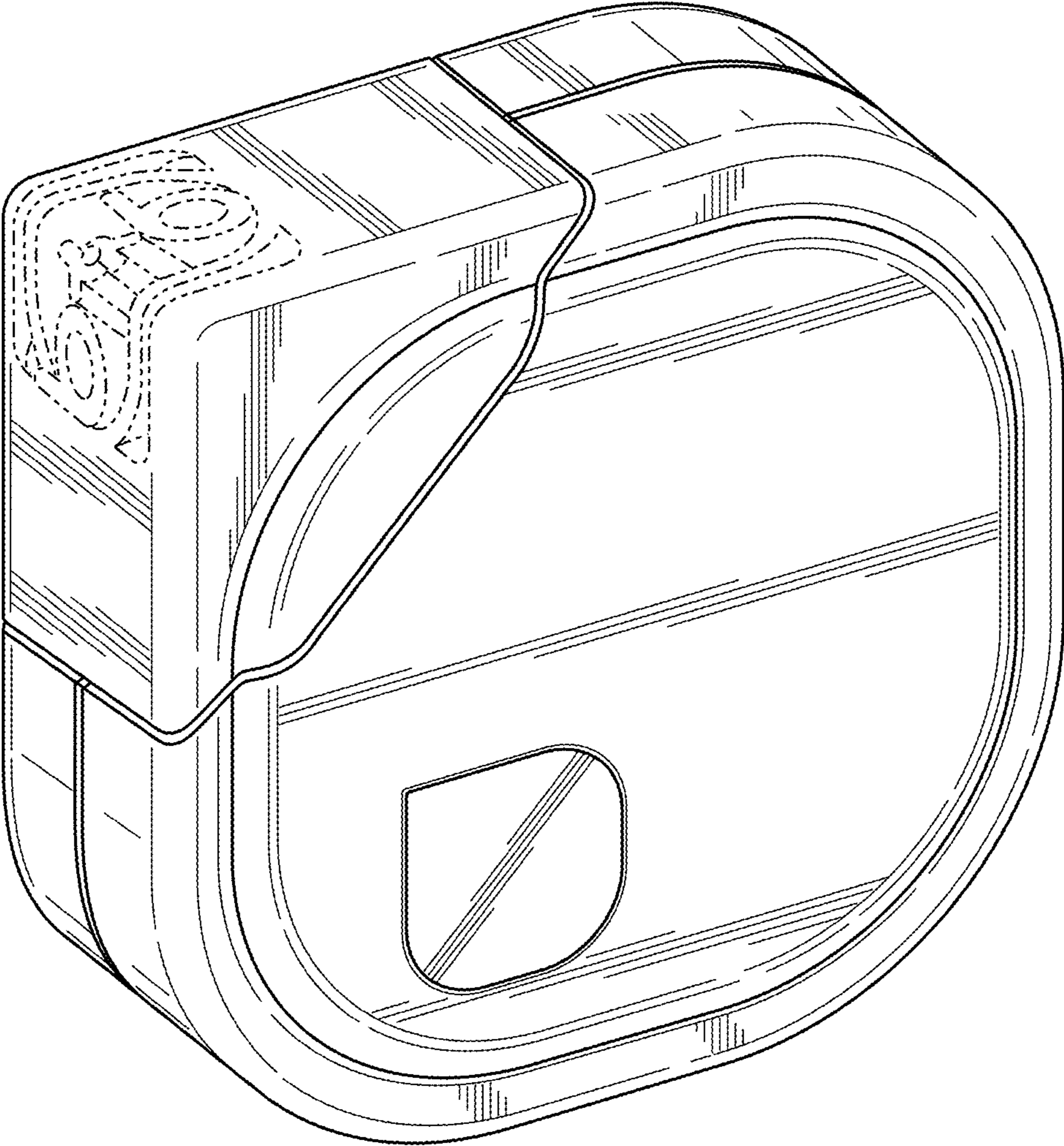


FIG. 1

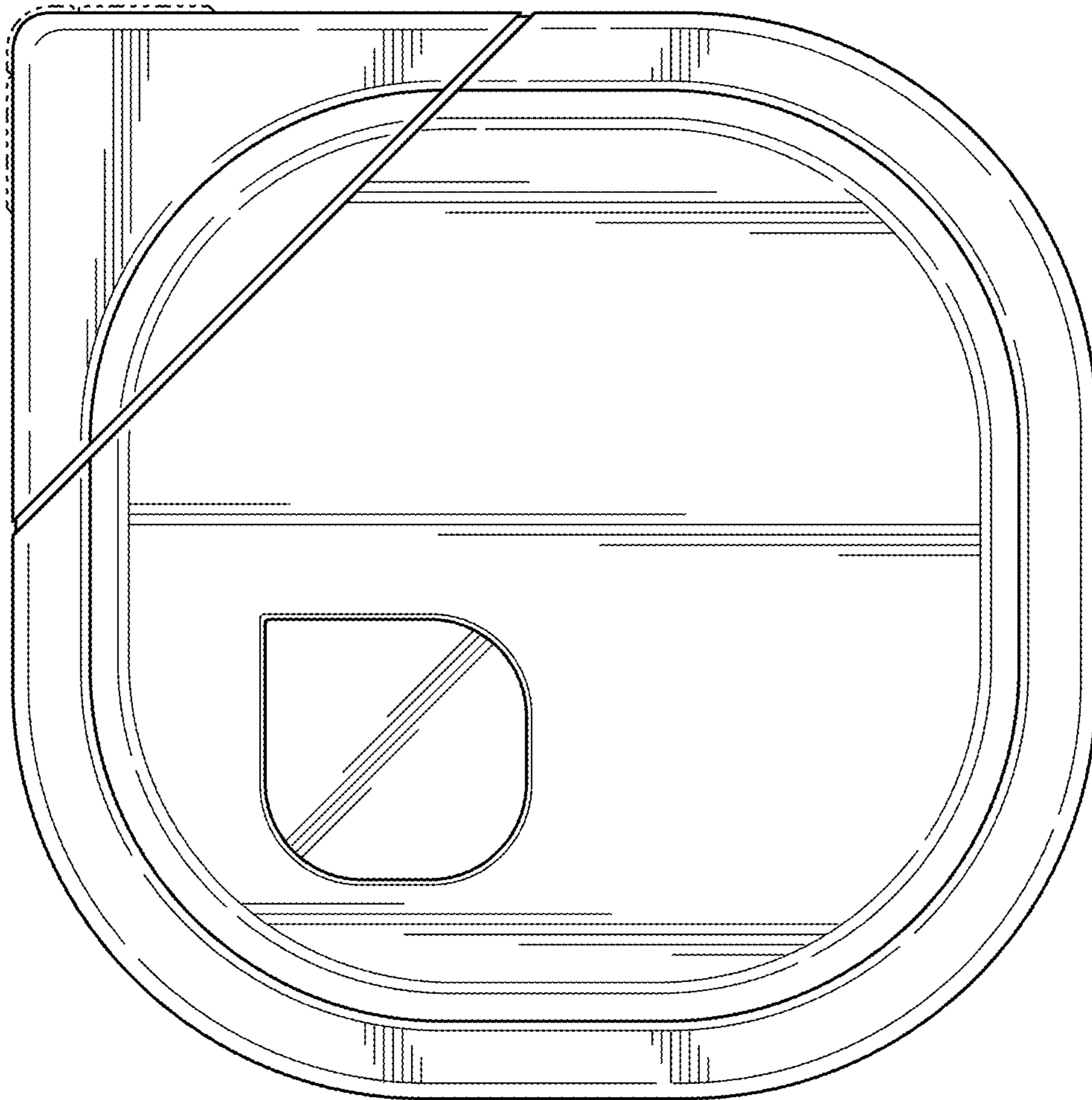


FIG. 2

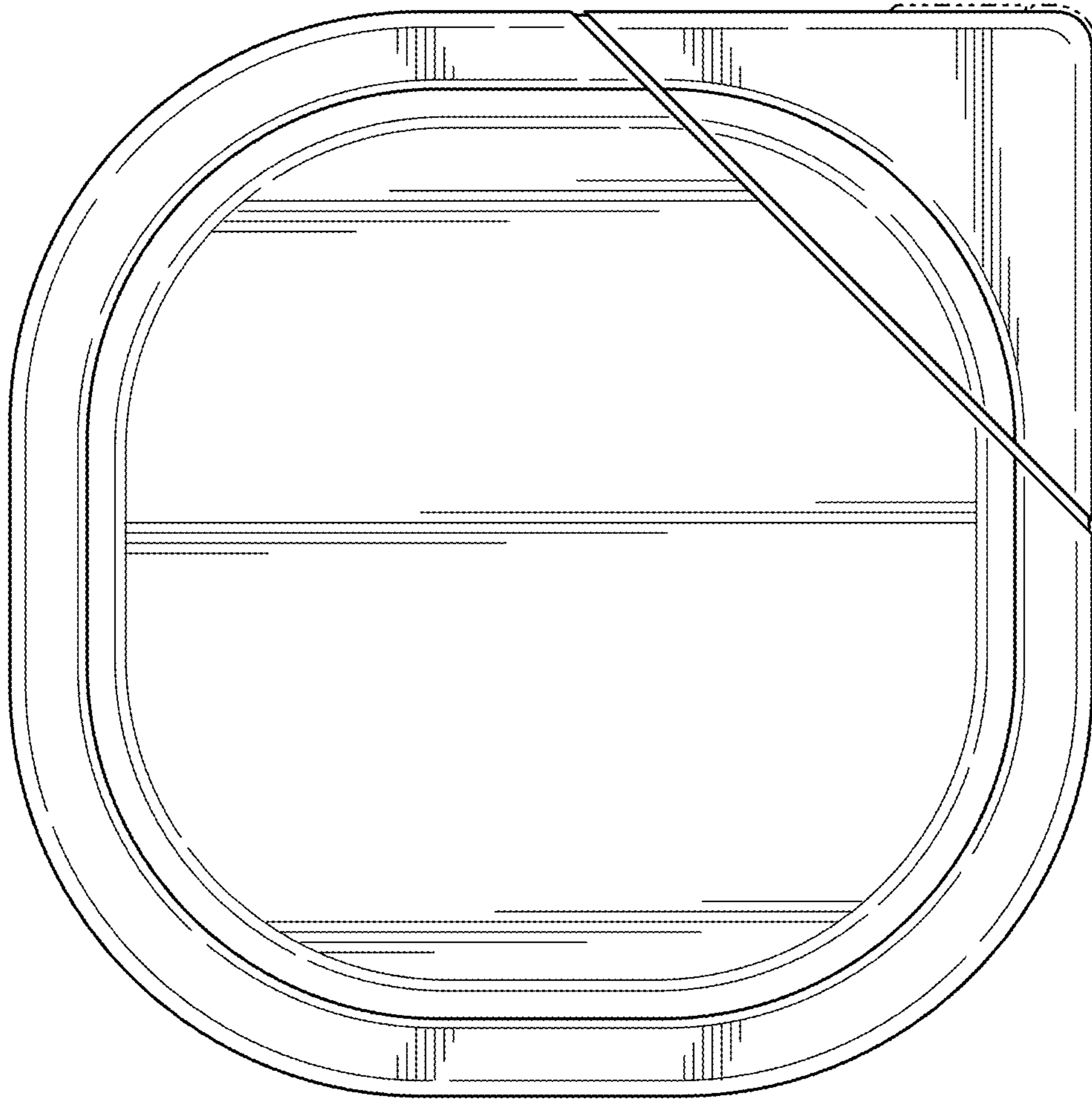


FIG. 3

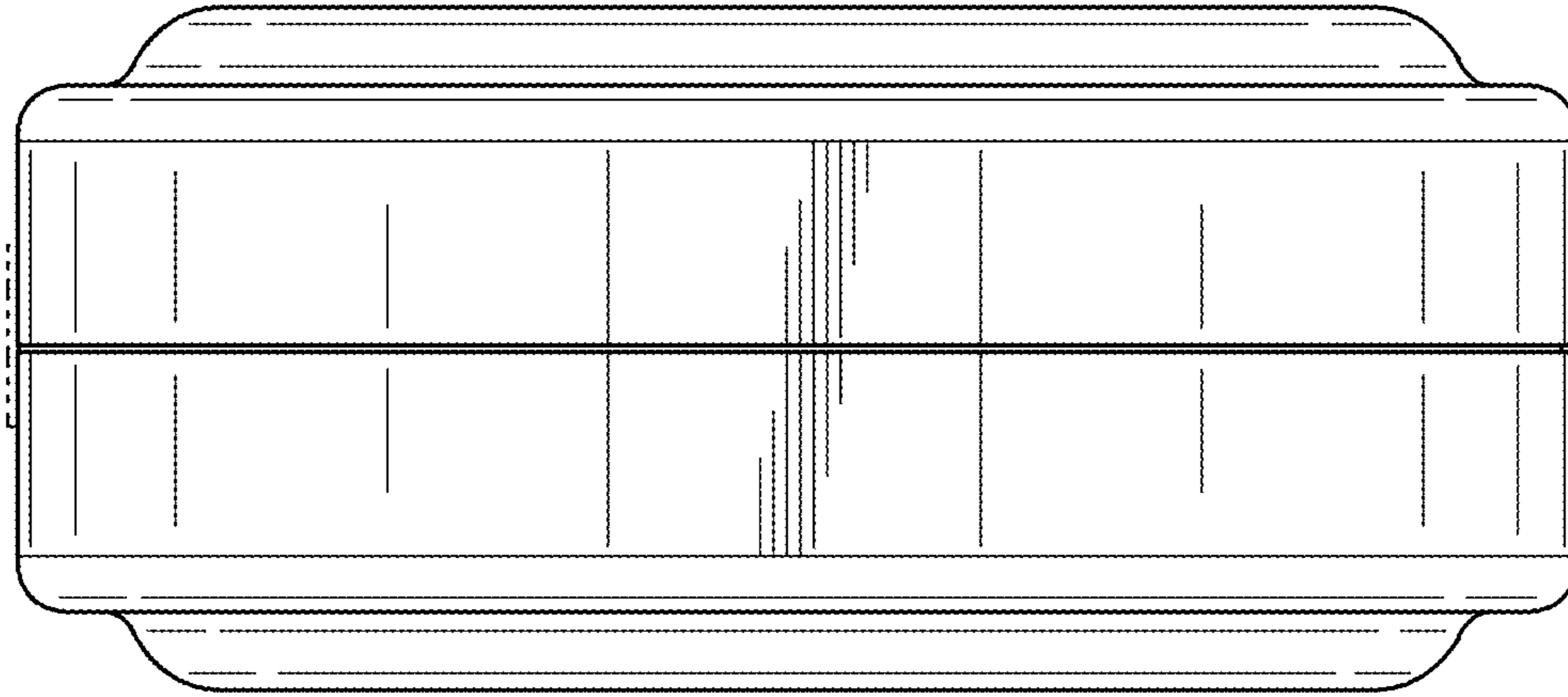


FIG. 5

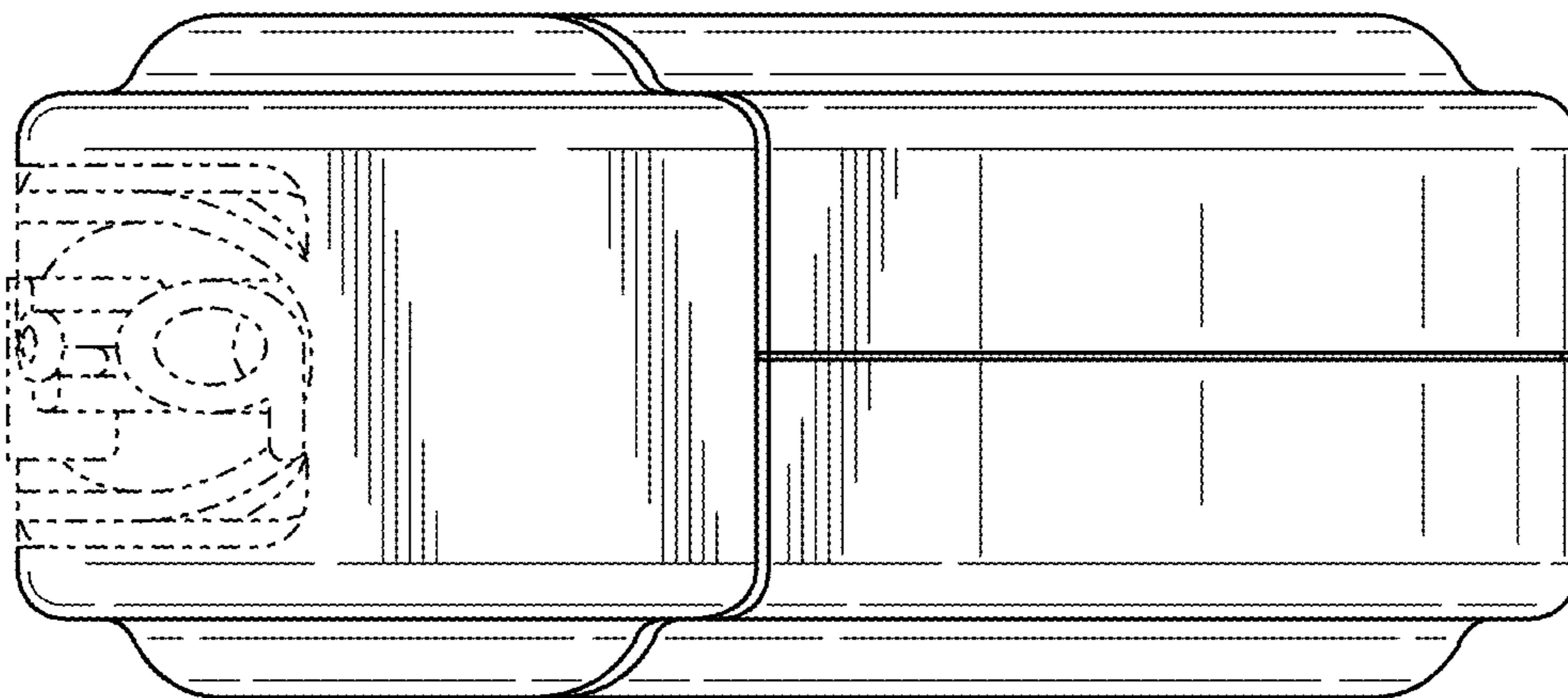


FIG. 4

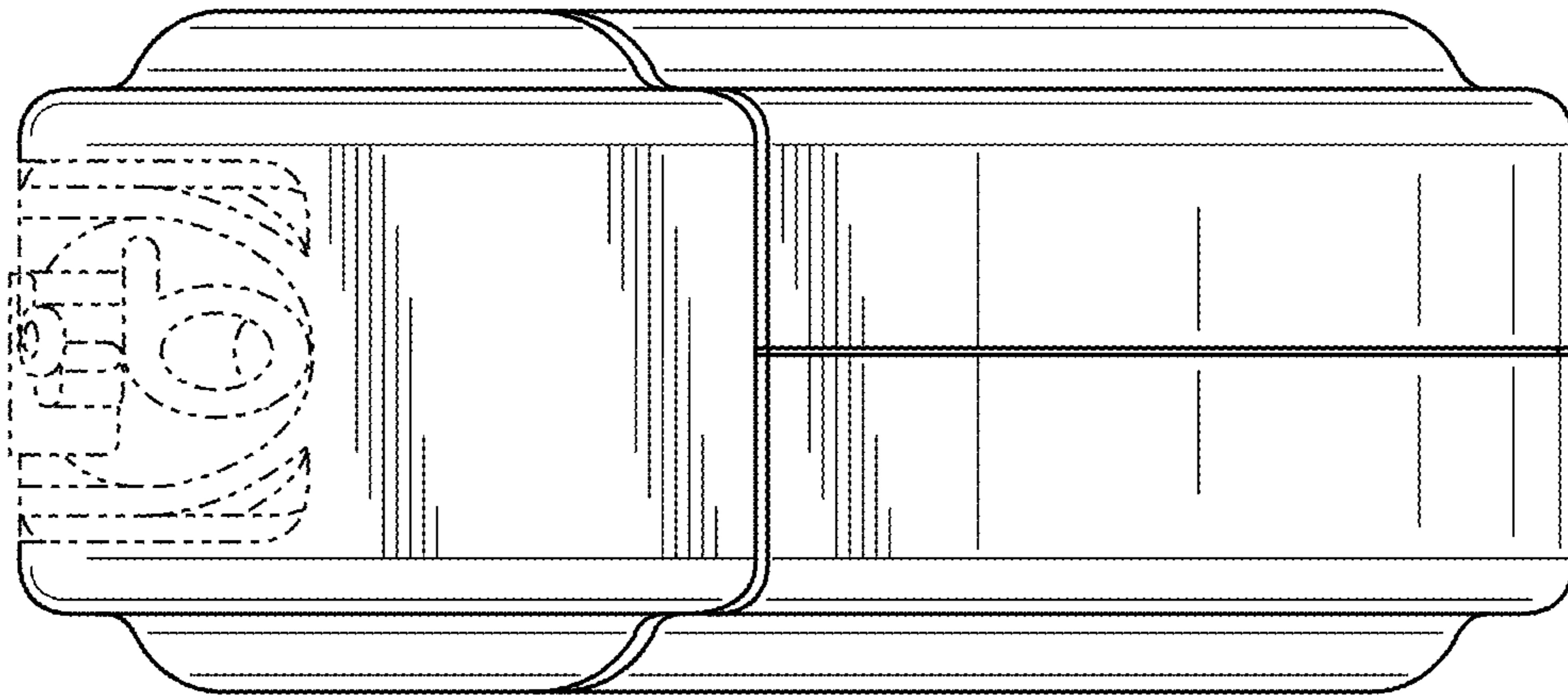


FIG. 6

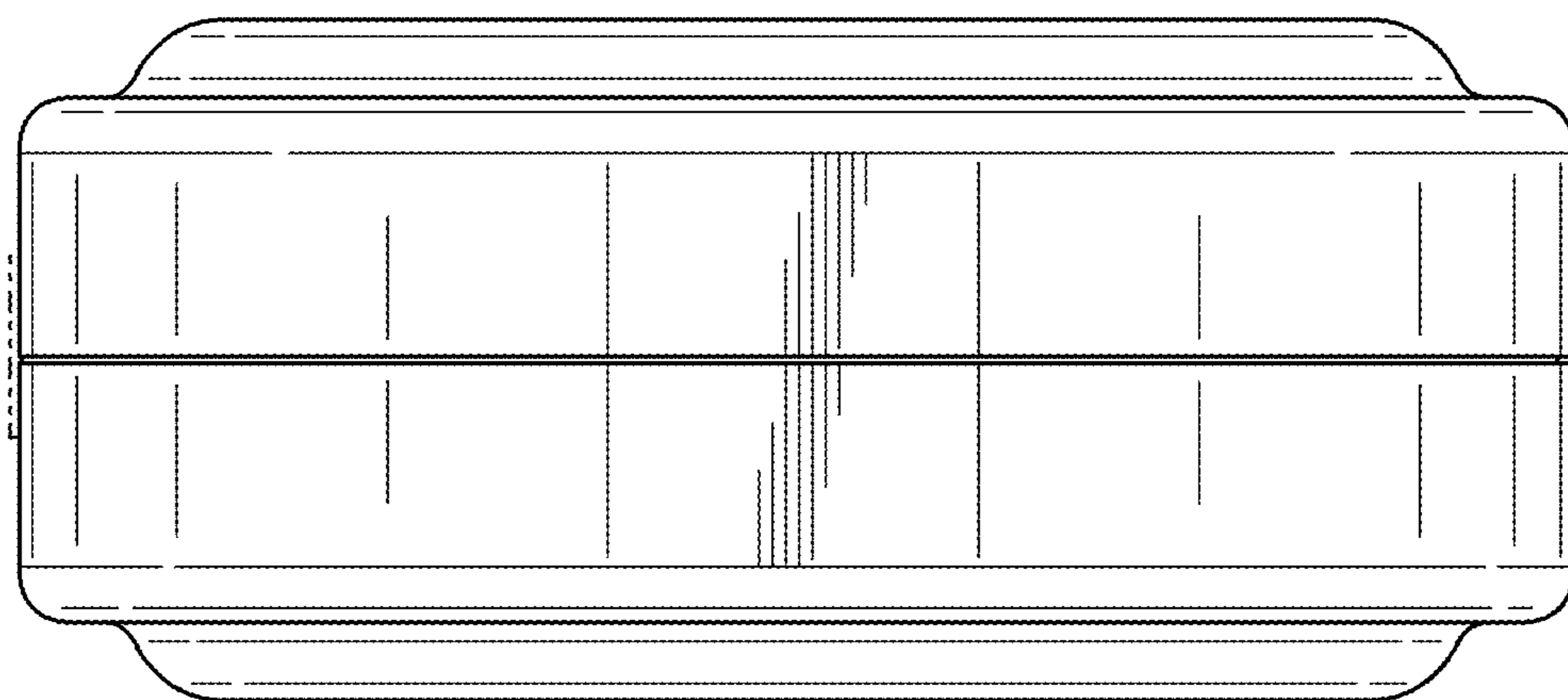


FIG. 7