



US00D815541S

(12) **United States Design Patent**  
**Harris et al.**

(10) **Patent No.:** **US D815,541 S**  
(45) **Date of Patent:** **\*\* Apr. 17, 2018**

(54) **CONTAINER**

(71) Applicant: **Owens-Brockway Glass Container Inc.**, Perrysburg, OH (US)

(72) Inventors: **Paul M Harris**, Napoleon, OH (US);  
**Douglas Laib**, Perrysburg, OH (US)

(73) Assignee: **Owens-Brockway Glass Container Inc.**, Perrysburg, OH (US)

(\*\*) Term: **15 Years**

(21) Appl. No.: **29/573,802**

(22) Filed: **Aug. 10, 2016**

(51) **LOC (11) Cl.** ..... **09-01**

(52) **U.S. Cl.**

USPC ..... **D9/574**; D9/563; D9/572; D9/544

(58) **Field of Classification Search**

USPC ..... D9/522, 530, 531, 543, 549, 558, 564,  
D9/565, 569, 572, 573, 574; 215/40, 44,  
215/200, 381-384, 396; 220/288, 662,  
220/669, 675, 752, 755, 771; 222/182,  
222/209; 426/115

CPC ..... B65D 1/02; B65D 1/0223; B65D 1/0246;  
B65D 5/46; B65D 41/00; B65D 41/02;  
B65D 41/04; B65D 2501/00; B65D  
2501/0009

See application file for complete search history.

(56) **References Cited**

**U.S. PATENT DOCUMENTS**

D53,666 S *	7/1919	Schwidetzky	.....	D9/522
D353,330 S *	12/1994	Kudo	.....	D9/522
D433,338 S *	11/2000	Blaakman	.....	D9/542
D548,606 S *	8/2007	Rica	.....	D9/544
D579,340 S *	10/2008	Dickman	.....	D9/558
D601,032 S *	9/2009	Rica	.....	D9/544

D626,423 S *	11/2010	Lauret	.....	D9/574
D642,478 S *	8/2011	Ehrmann	.....	D9/573
D706,137 S *	6/2014	Gonzalez Rodriguez	.....	D9/545

**OTHER PUBLICATIONS**

“Jen”, Spirit Collection, Saverglass, printed May 2014, p. 7, retrieved from < <http://www.saverglass.com/en/downloads> >. (Year: 2014).\*

\* cited by examiner

*Primary Examiner* — Derrick E Holland

*Assistant Examiner* — Janice Julia Patyk

(57) **CLAIM**

We claim the ornamental design for a container, as shown and described.

**DESCRIPTION**

FIG. 1 is a perspective view of a container in accordance with first embodiment of our new claimed design.

FIG. 2 is a top view of the container in FIG. 1.

FIG. 3 is a front view of the container in FIG. 1, the rear view being the same.

FIG. 4 is a bottom view of the container in FIG. 1.

FIG. 5 is a right side view of the container in FIG. 1, the left side view being the same.

FIG. 6 is a perspective view of a container in accordance with a second embodiment of our new claimed design.

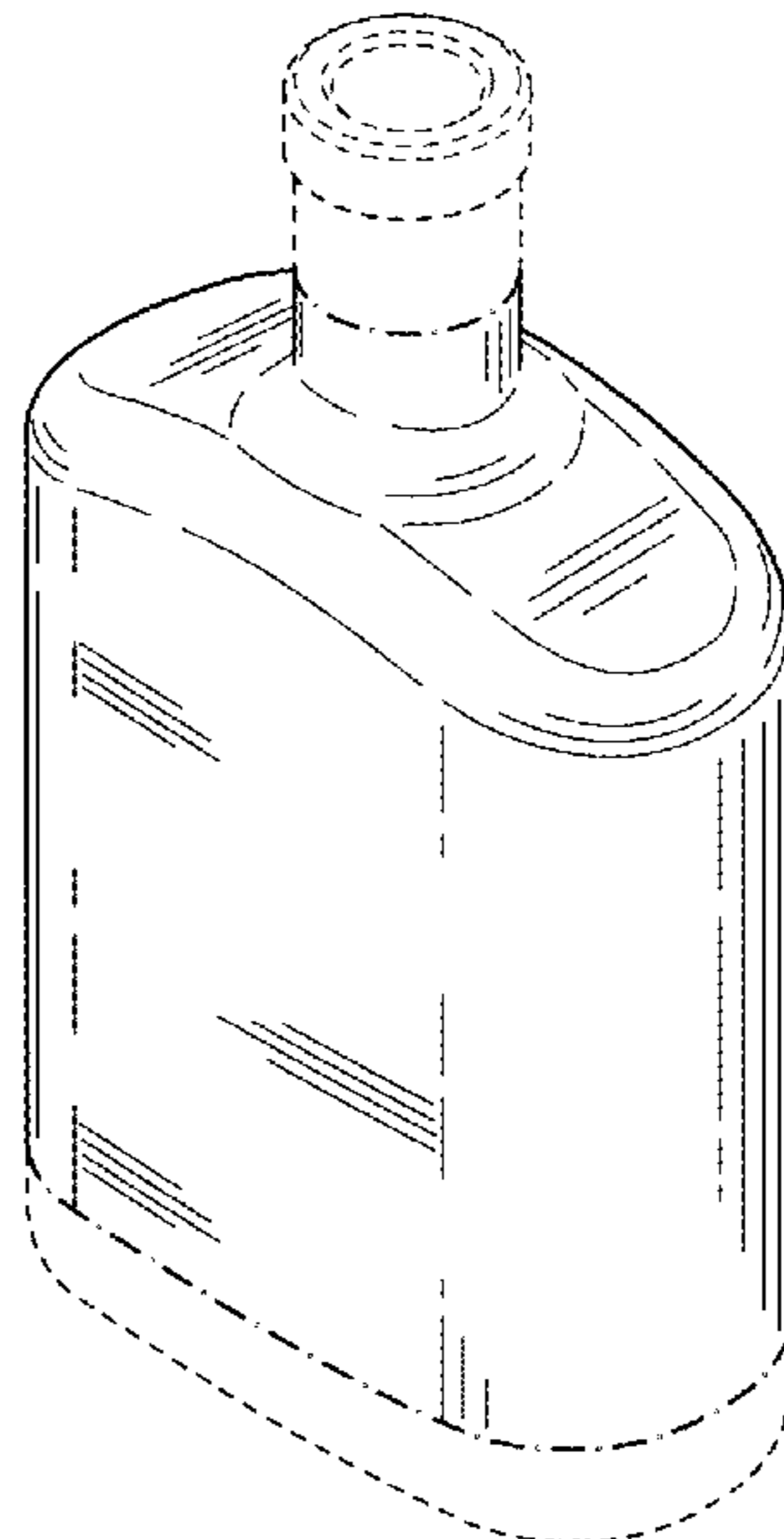
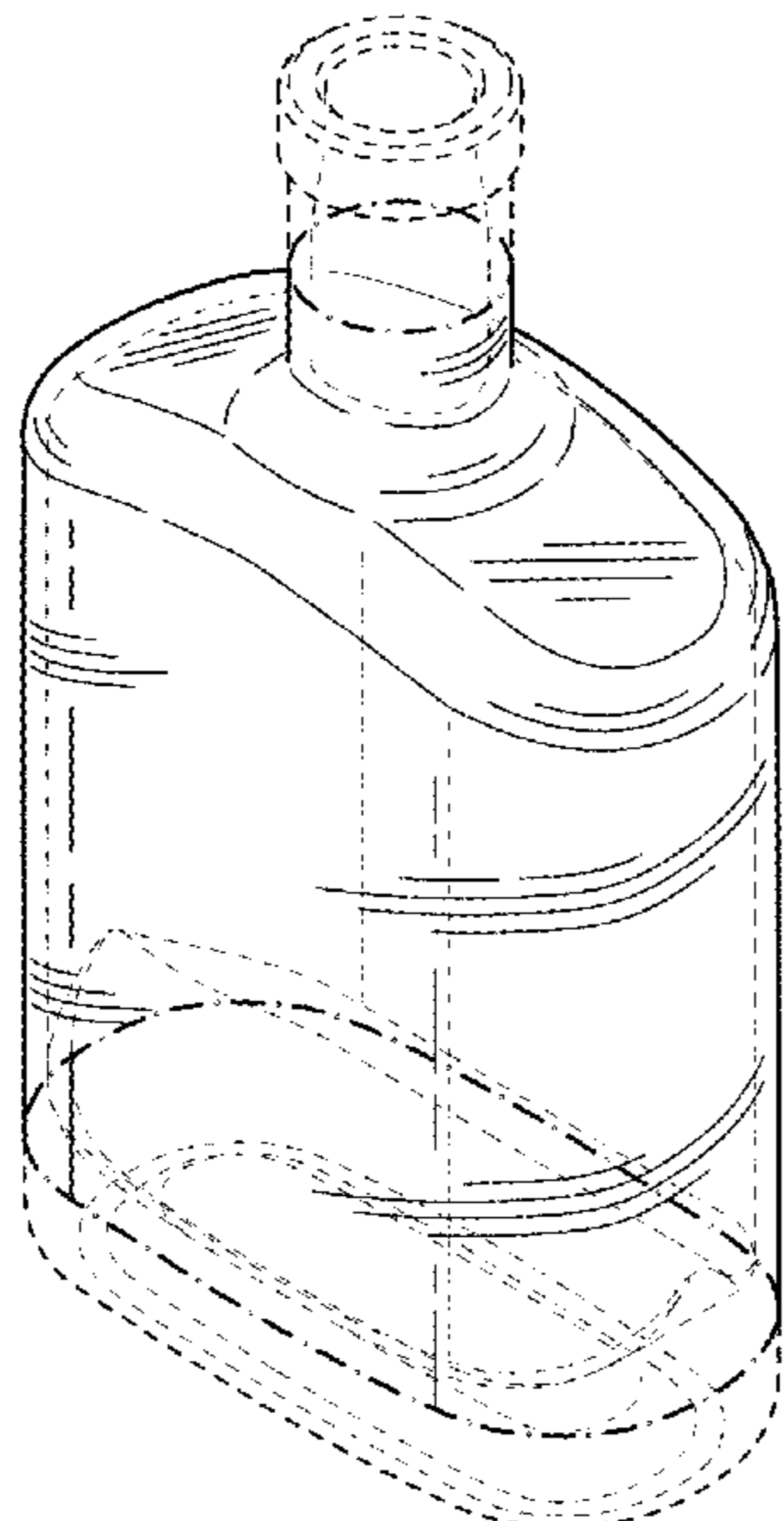
FIG. 7 is a top view of the container in FIG. 6.

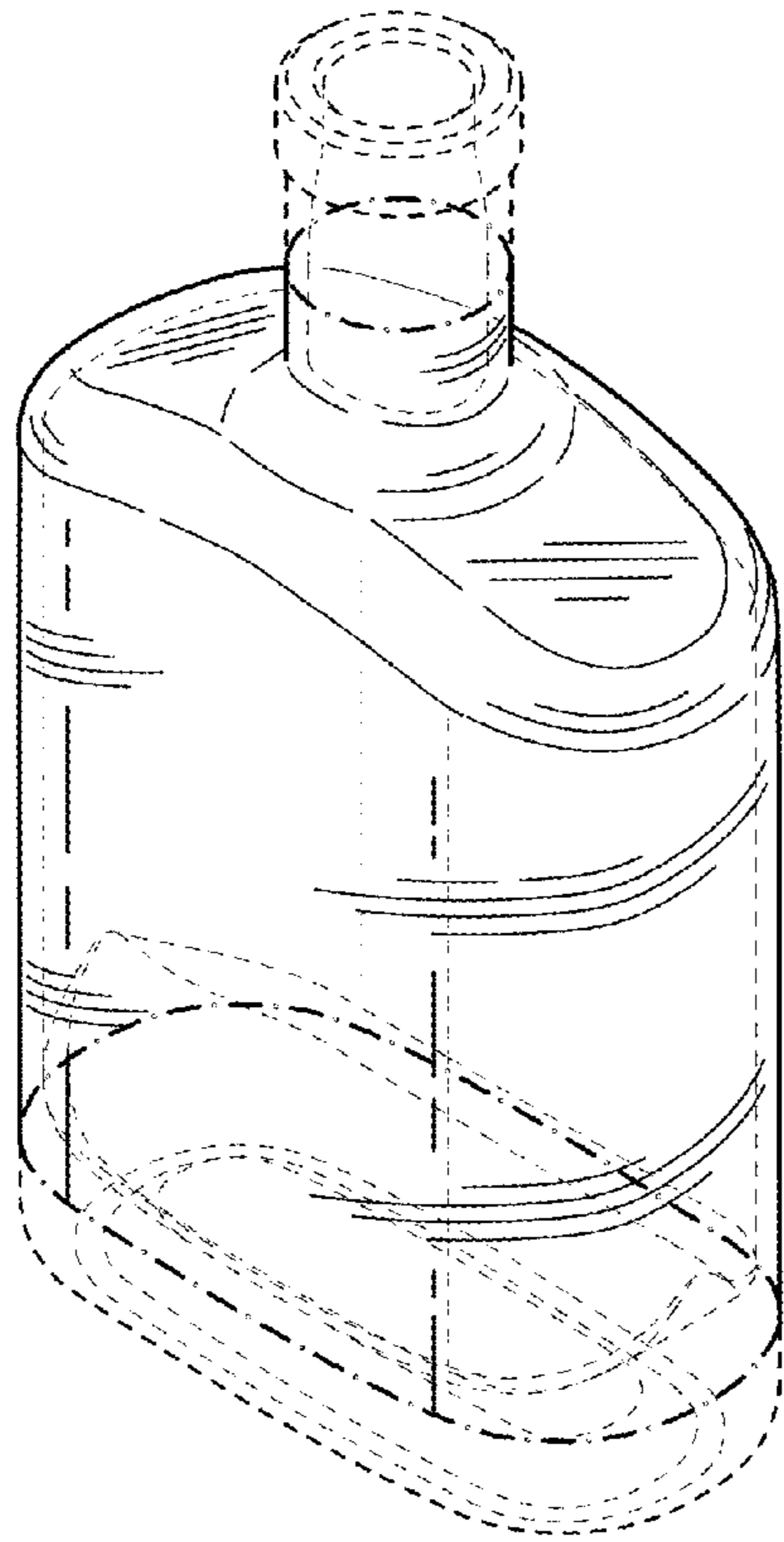
FIG. 8 is a front view of the container in FIG. 6, the rear view being the same.

FIG. 9 is a bottom view of the container in FIG. 6; and,

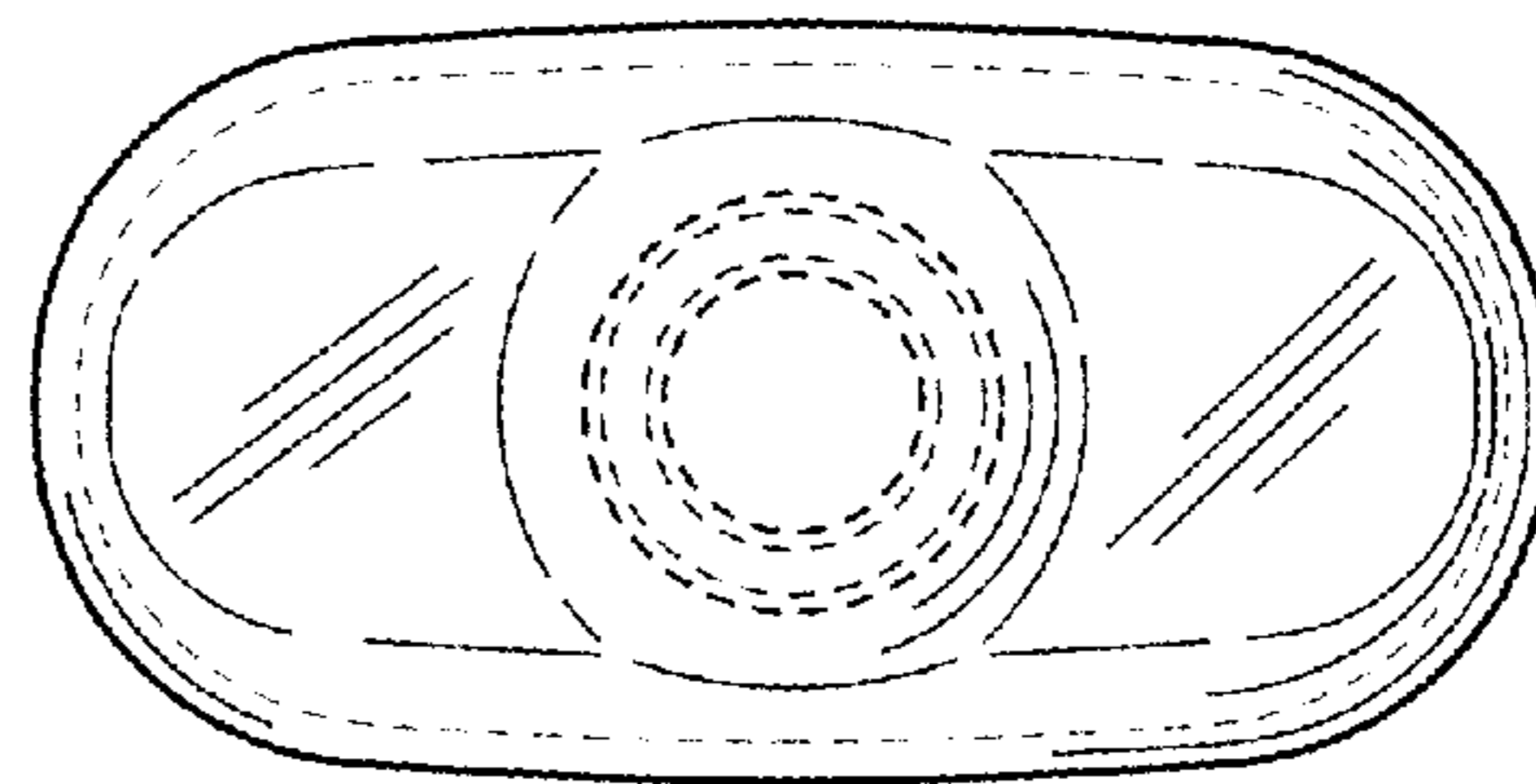
FIG. 10 is a right side view of the container in FIG. 6, the left side view being the same.

**1 Claim, 4 Drawing Sheets**

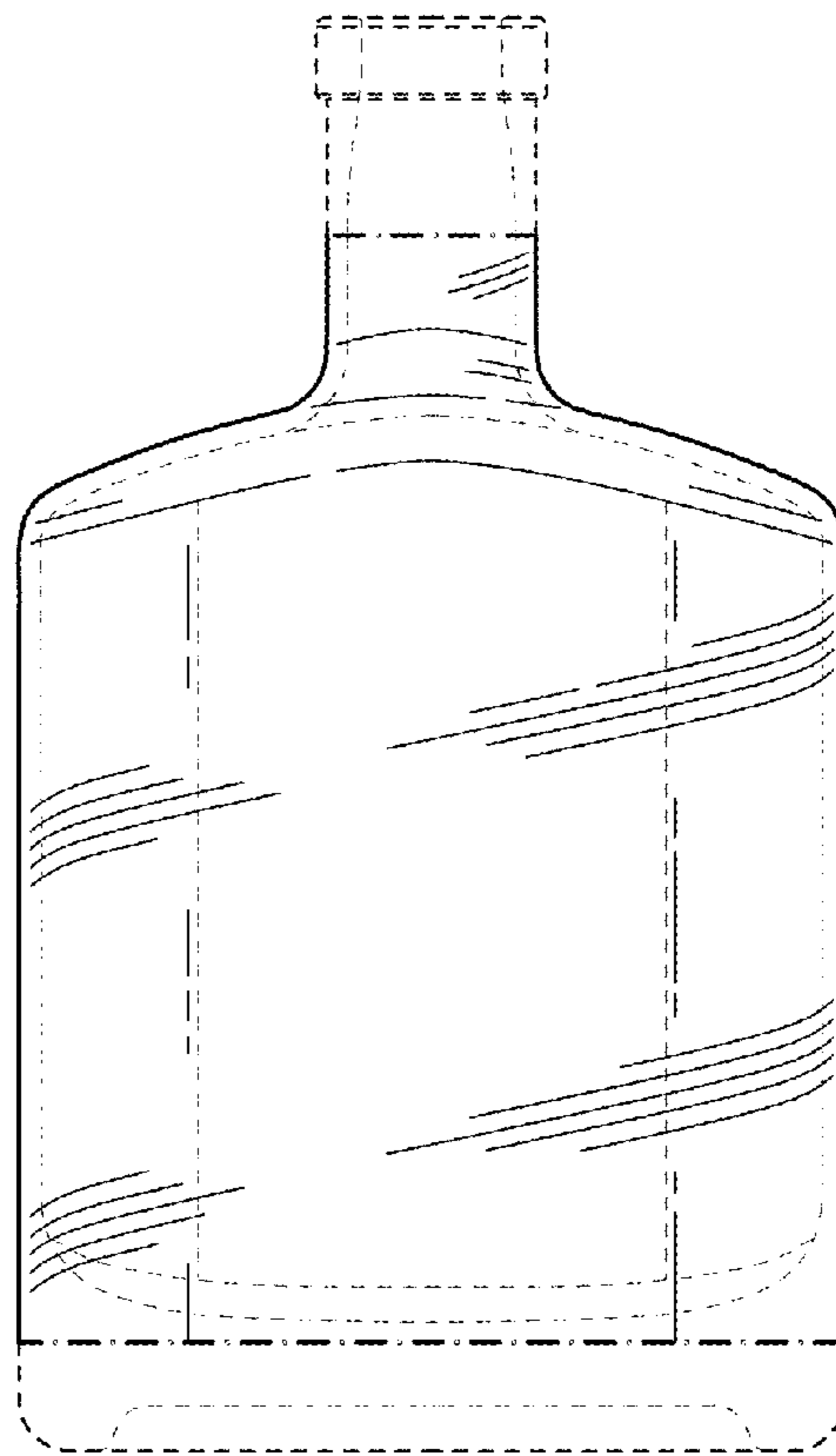




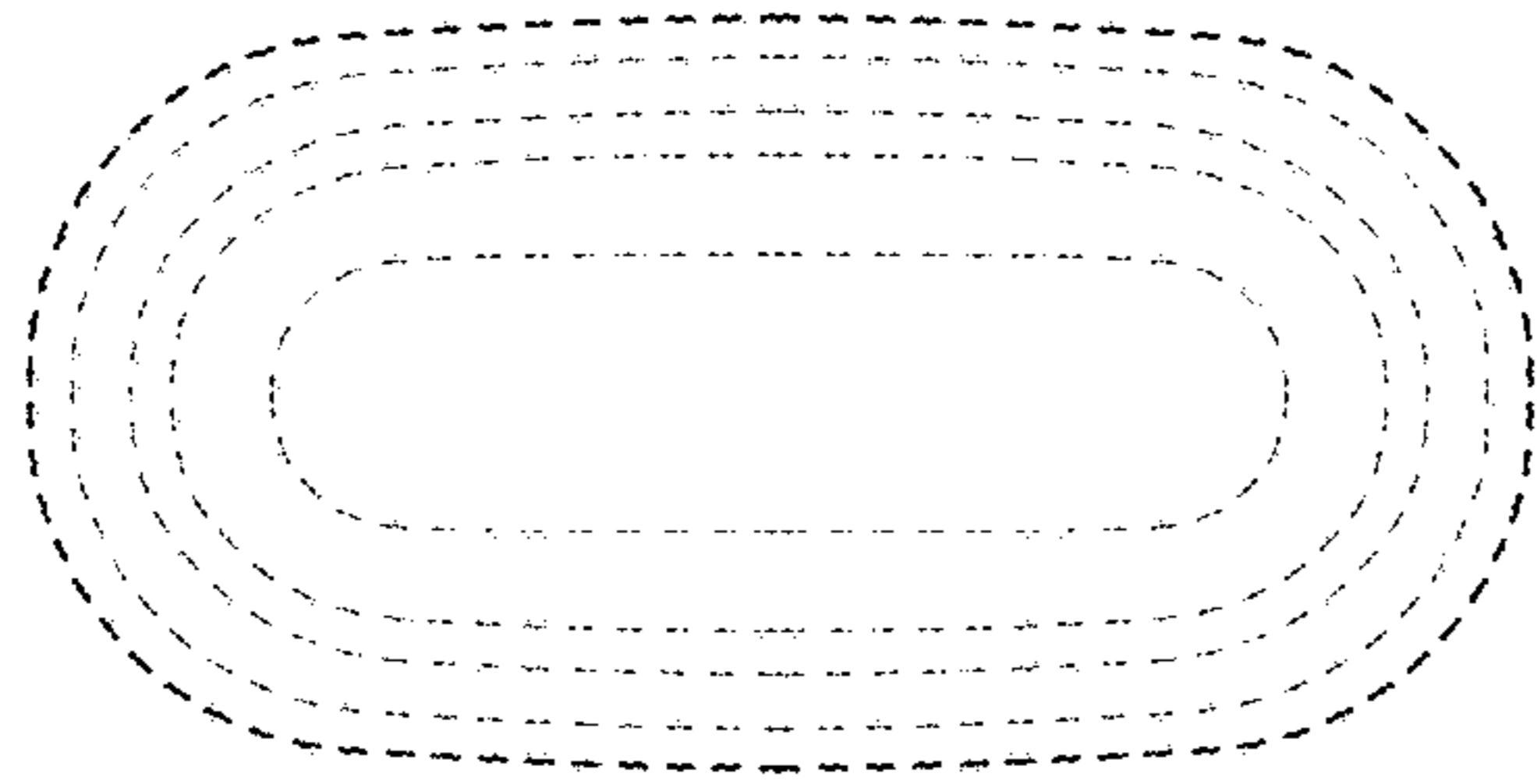
**FIG. 1**



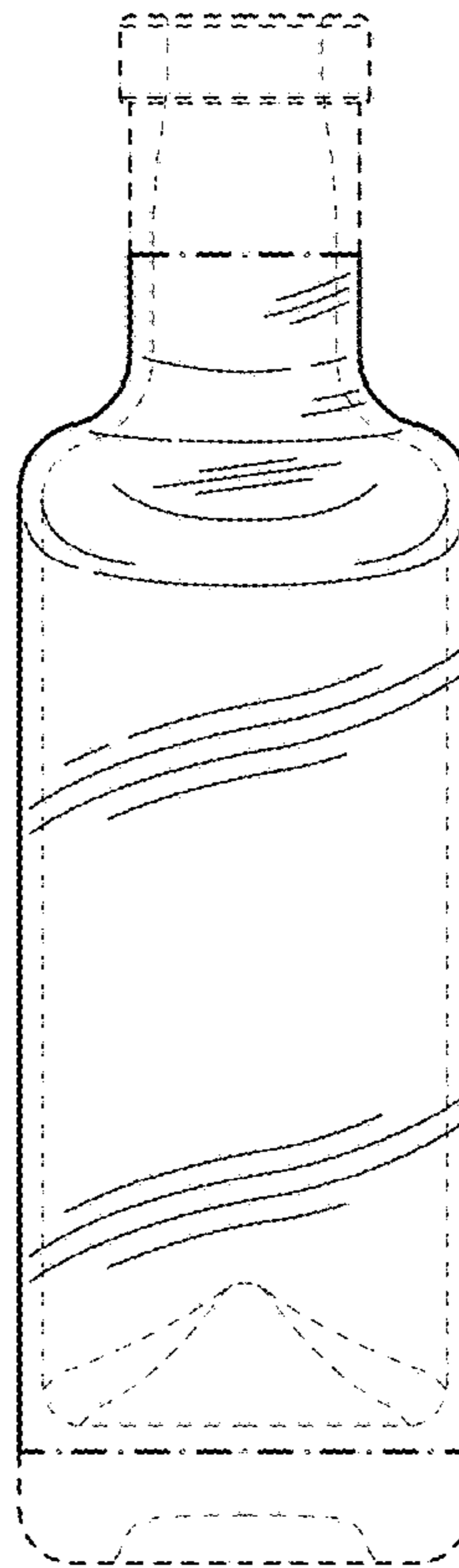
**FIG. 2**



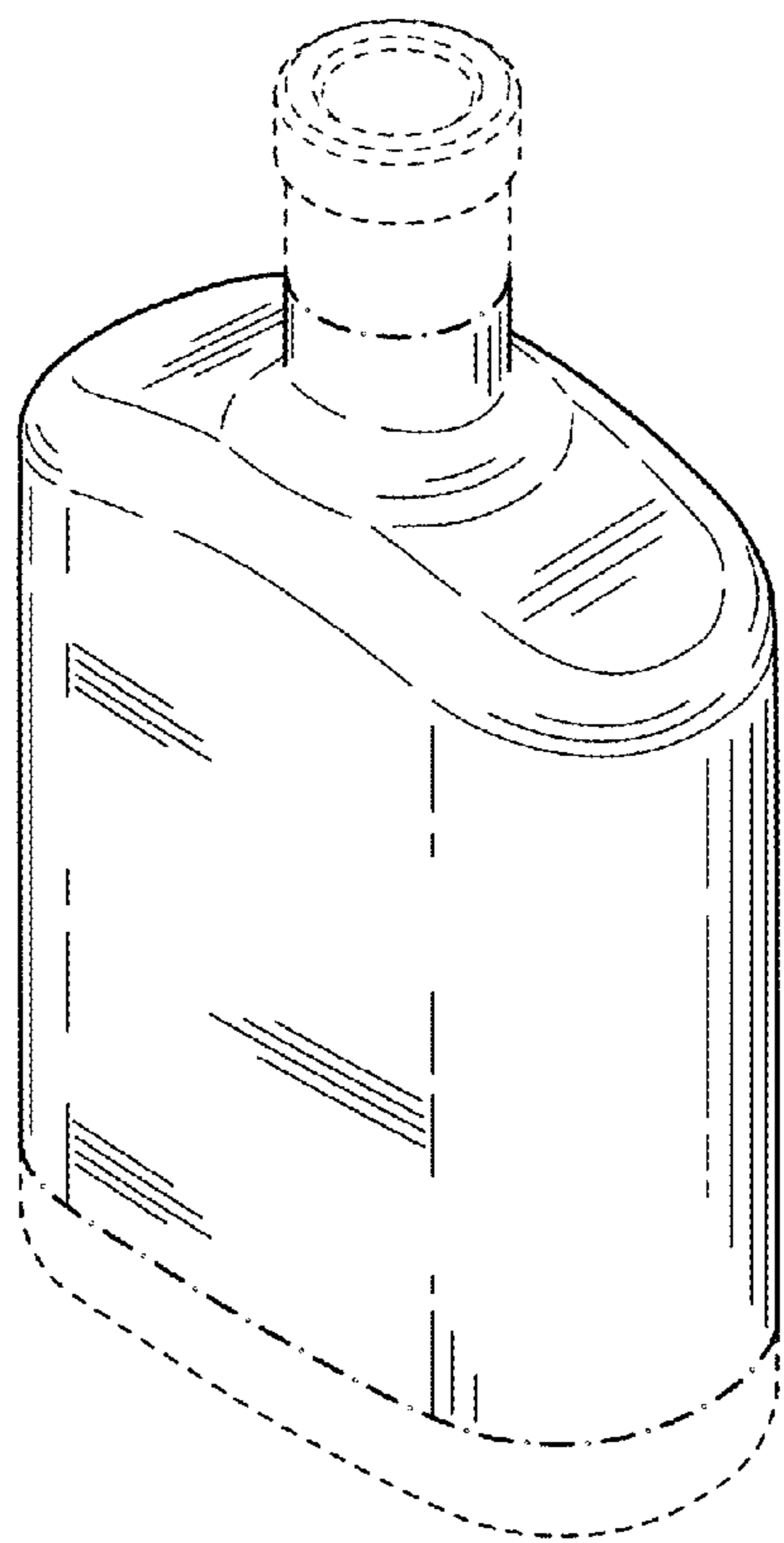
**FIG. 3**



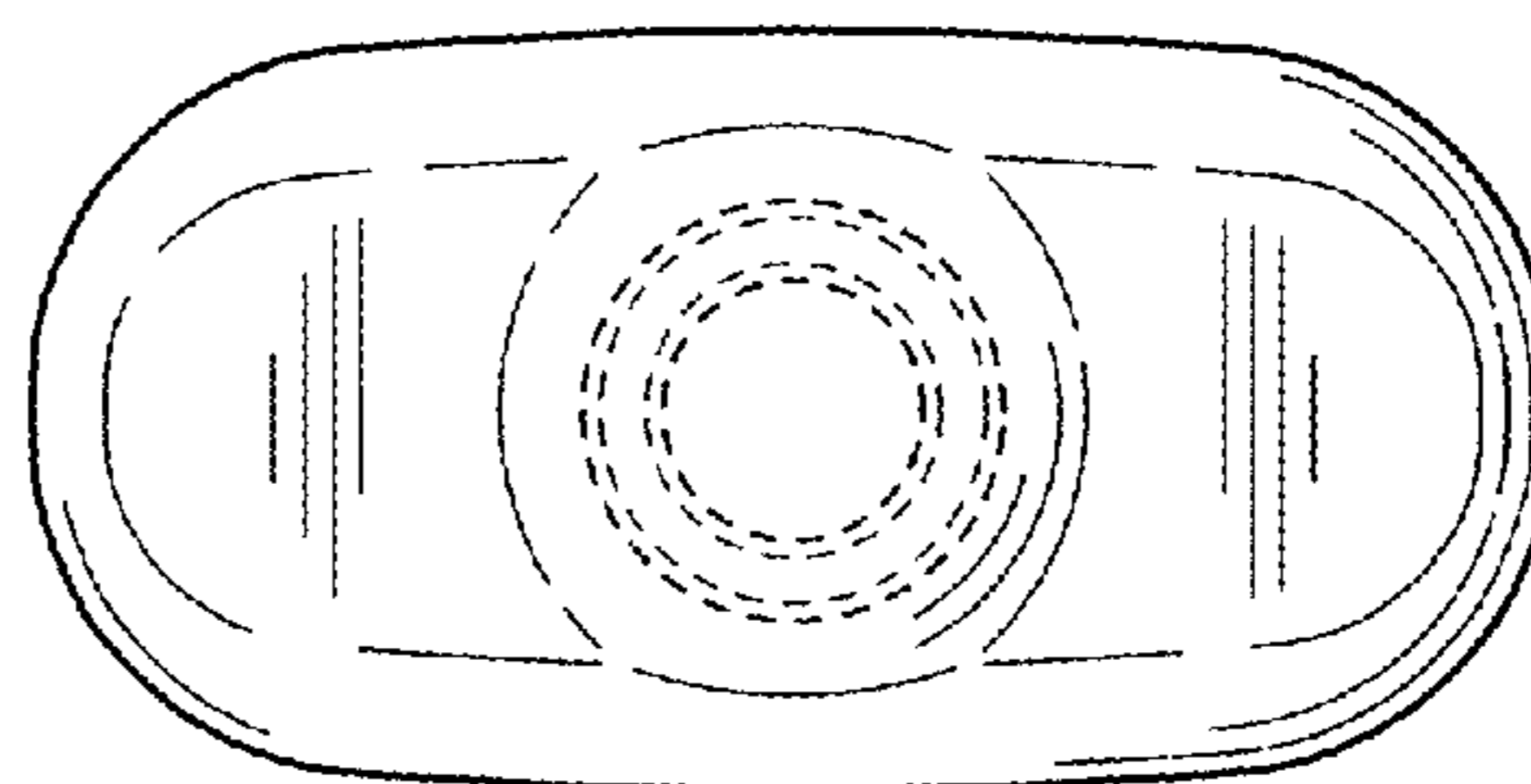
**FIG. 4**



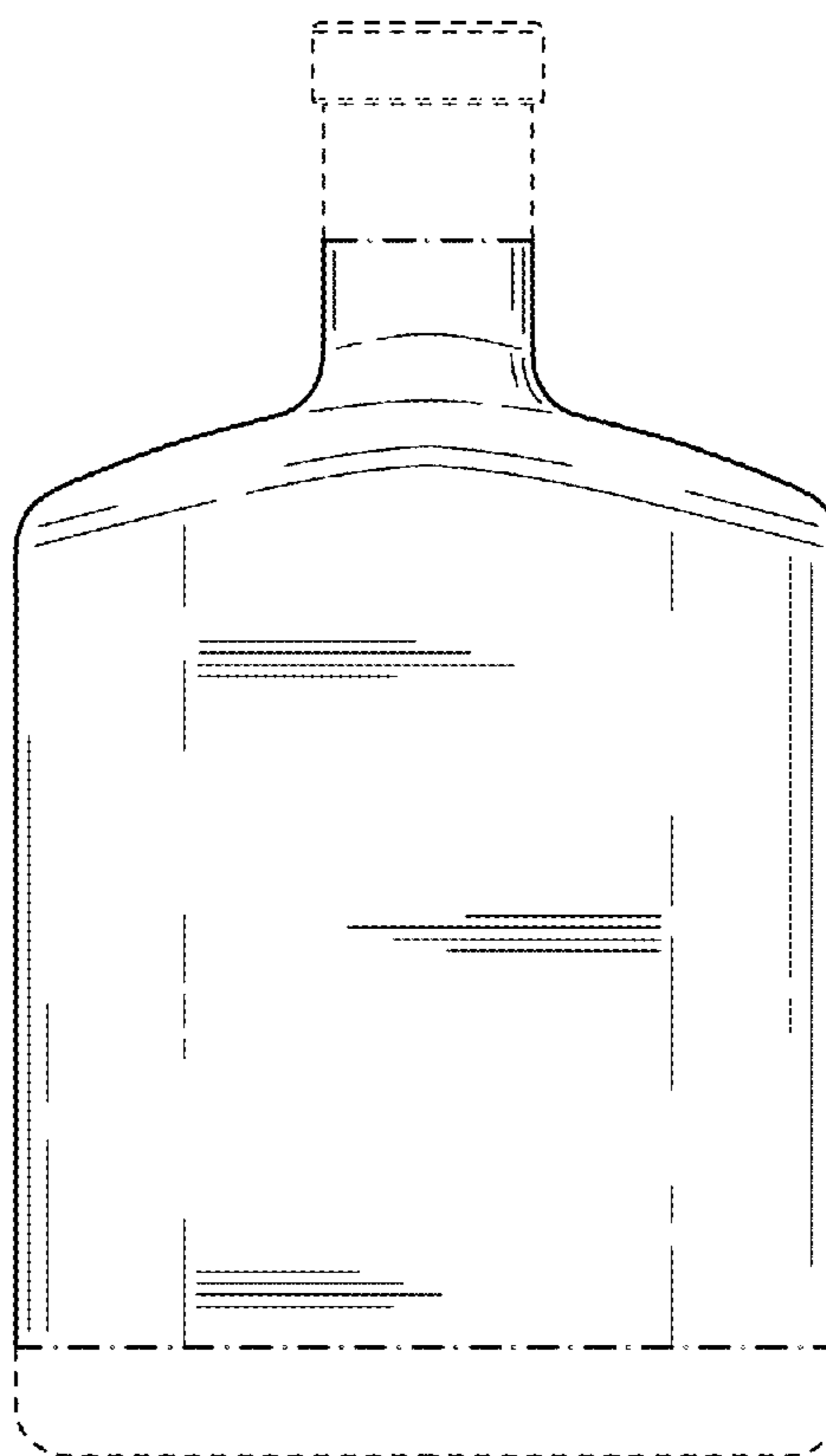
**FIG. 5**



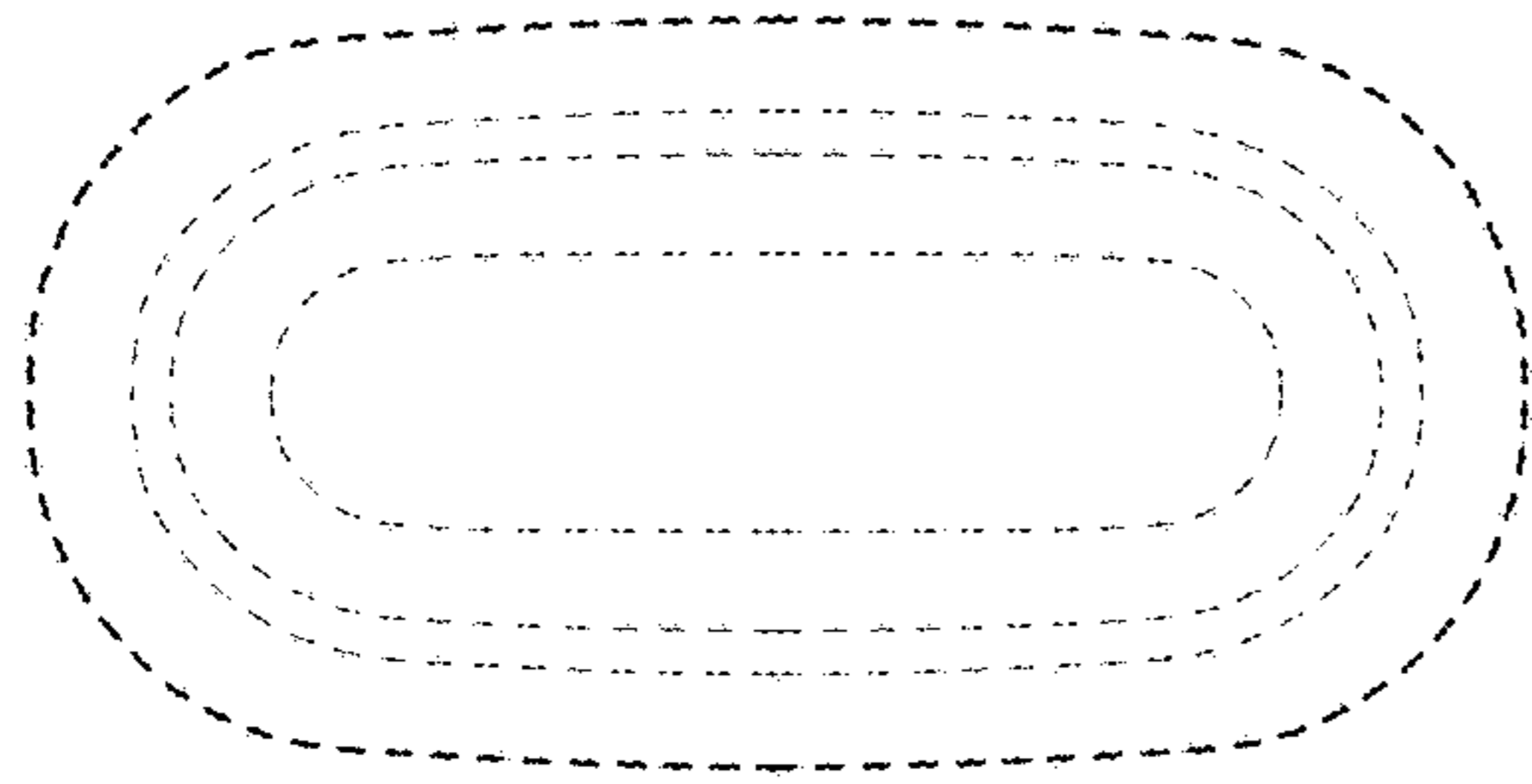
**FIG. 6**



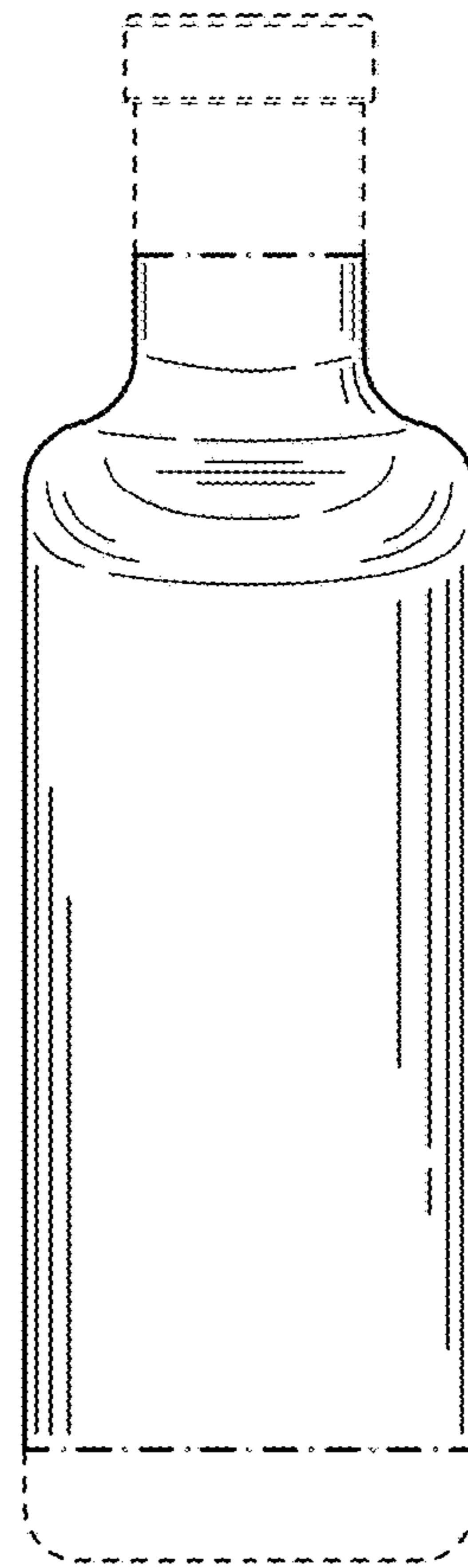
**FIG. 7**



**FIG. 8**



**FIG. 9**



**FIG. 10**