



US00D815538S

(12) **United States Design Patent**  
**Aran**

(10) **Patent No.:** **US D815,538 S**  
(45) **Date of Patent:** **\*\* Apr. 17, 2018**

(54) **BOTTLE**

(71) Applicant: **COMPAGNIE GERVAIS DANONE,**  
Paris (FR)

(72) Inventor: **Oriol Aran,** Barcelona (ES)

(73) Assignee: **COMPAGNIE GERVAISE DANONE,**  
Paris (FR)

(\*\*) Term: **15 Years**

(21) Appl. No.: **29/530,366**

(22) Filed: **Jun. 16, 2015**

(30) **Foreign Application Priority Data**

Dec. 16, 2014 (EM) ..... 002598276-0001

(51) **LOC (11) Cl.** ..... **09-01**

(52) **U.S. Cl.**  
USPC ..... **D9/539; D9/500; D9/520**

(58) **Field of Classification Search**

USPC ..... D9/500, 502-503, 516, 520, 530,  
D9/537-540, 549, 556-558, 715, 719  
CPC ..... B65D 1/00; B65D 1/02; B65D 1/0223;  
B65D 23/00; B65D 81/00; B65D  
2501/00; B65D 2501/0009

See application file for complete search history.

(56) **References Cited**

**U.S. PATENT DOCUMENTS**

D47,565 S \* 7/1915 O'Conner ..... D9/500  
D148,078 S \* 12/1947 Lelong ..... D9/505  
D170,754 S \* 11/1953 Hexel ..... D9/539  
D185,602 S \* 6/1959 Gonfreville ..... D9/500  
D453,004 S \* 1/2002 Hirata ..... D9/516

D485,169 S \* 1/2004 Singh ..... D19/162  
D497,549 S \* 10/2004 Maskell ..... D9/500  
D510,525 S \* 10/2005 Honkawa ..... D9/519  
D549,107 S \* 8/2007 Bourne ..... D9/538  
D550,088 S \* 9/2007 Lepoitevin ..... D9/537  
D573,468 S \* 7/2008 Pickford ..... D9/502  
D585,293 S \* 1/2009 Honkawa ..... D9/501  
D621,271 S \* 8/2010 Soni ..... D9/516  
D658,061 S \* 4/2012 Furlan ..... D9/454  
D705,660 S \* 5/2014 Colloud ..... D9/519  
D726,023 S \* 4/2015 Jouin ..... D9/614  
D749,423 S \* 2/2016 Daniel ..... D9/539  
D750,966 S \* 3/2016 Zhou ..... D9/520  
D779,959 S \* 2/2017 Price ..... D9/500

\* cited by examiner

*Primary Examiner* — Dana L Meyrow

(74) *Attorney, Agent, or Firm* — DLA Piper LLP (US);  
Gianni Minutoli

(57) **CLAIM**

The ornamental design for a bottle, as shown and described.

**DESCRIPTION**

FIG. 1 is a perspective view of a bottle showing my new design;

FIG. 2 is a front view of the bottle;

FIG. 3 is a rear view of the bottle;

FIG. 4 is a right side view of the bottle;

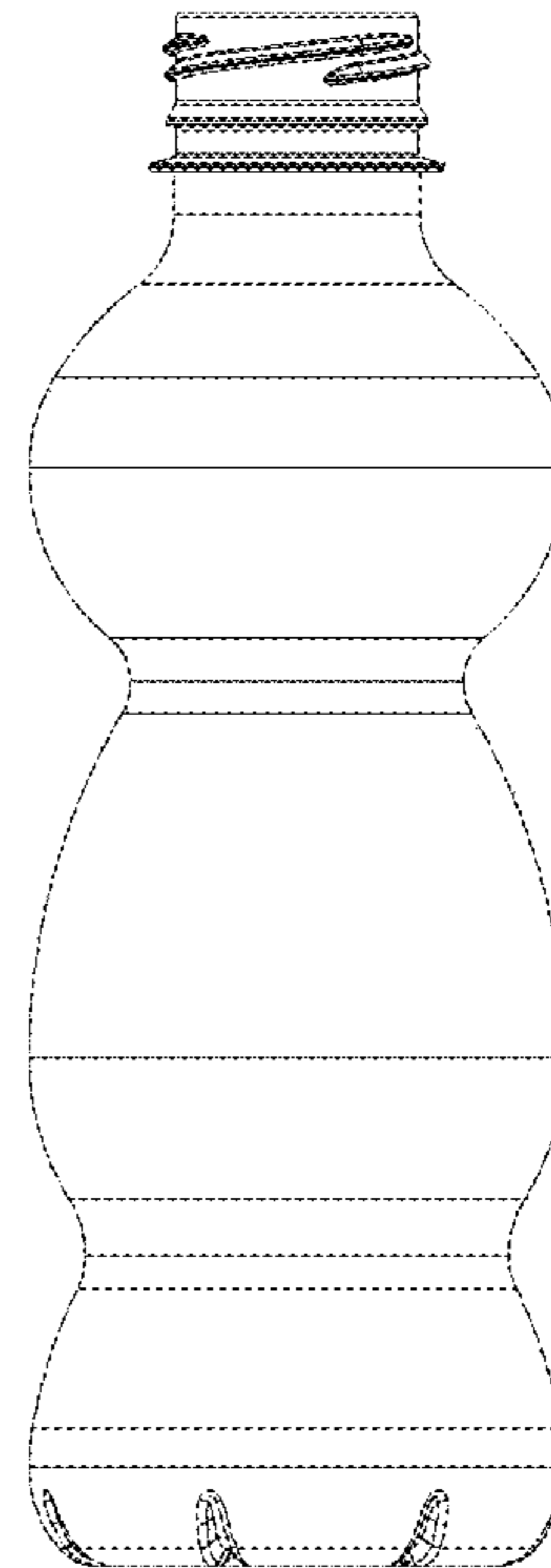
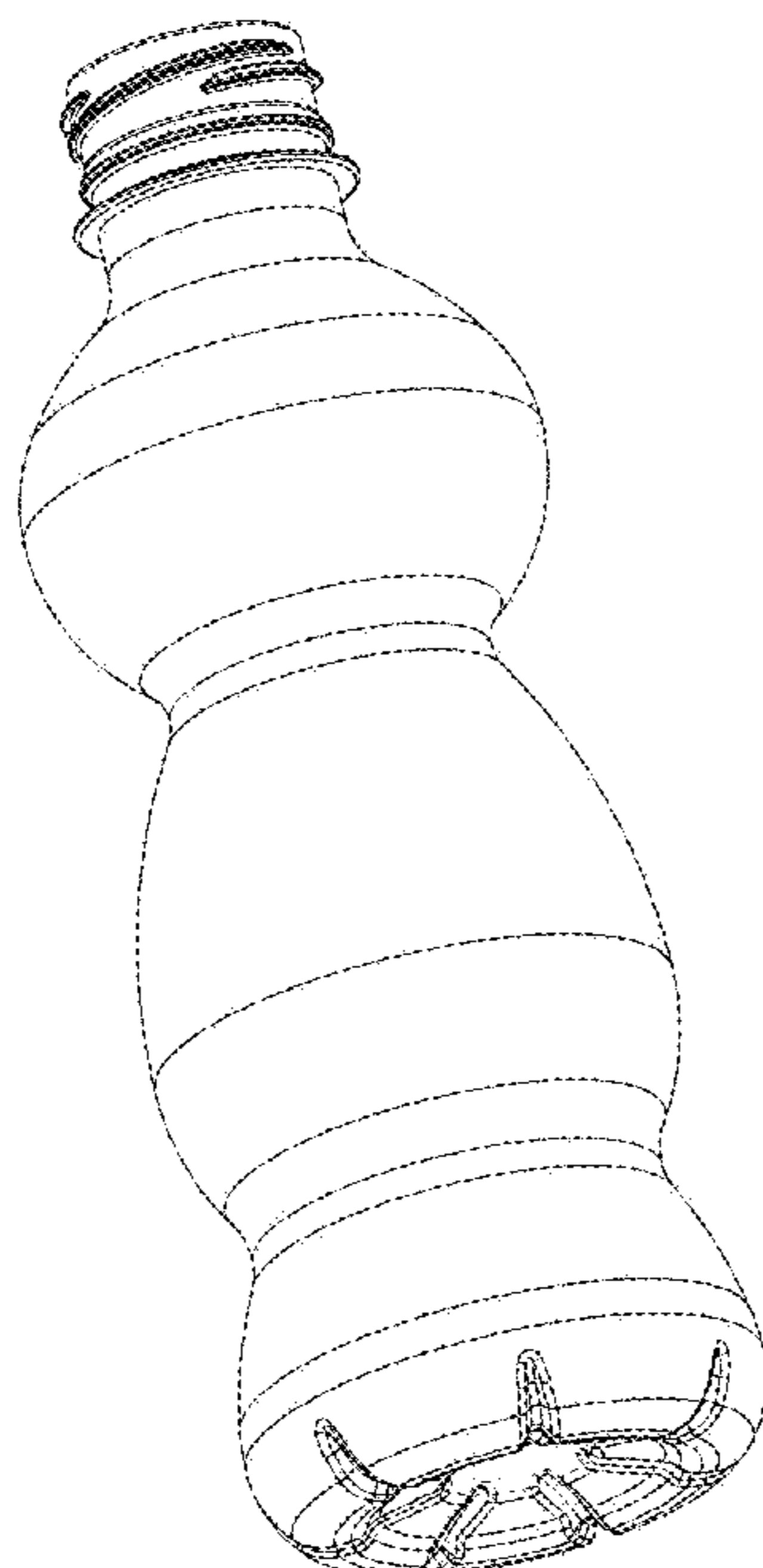
FIG. 5 is a left side view of the bottle;

FIG. 6 is a top view of the bottle shown at an enlarged scale;  
and,

FIG. 7 is a bottom view of the bottle shown at an enlarged scale.

The features shown in broken lines in the Figures form no part of the claimed design.

**1 Claim, 7 Drawing Sheets**



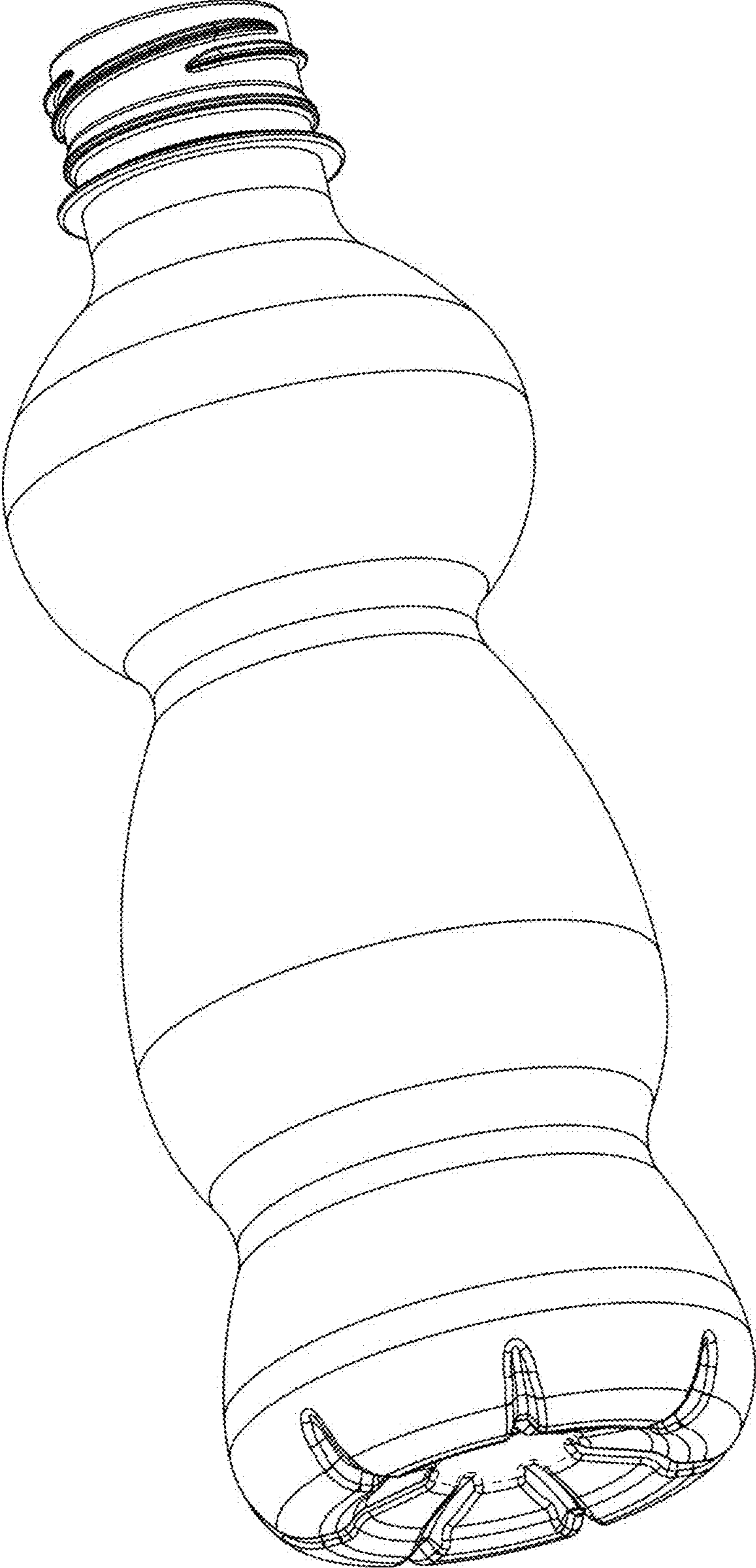


FIG. 1

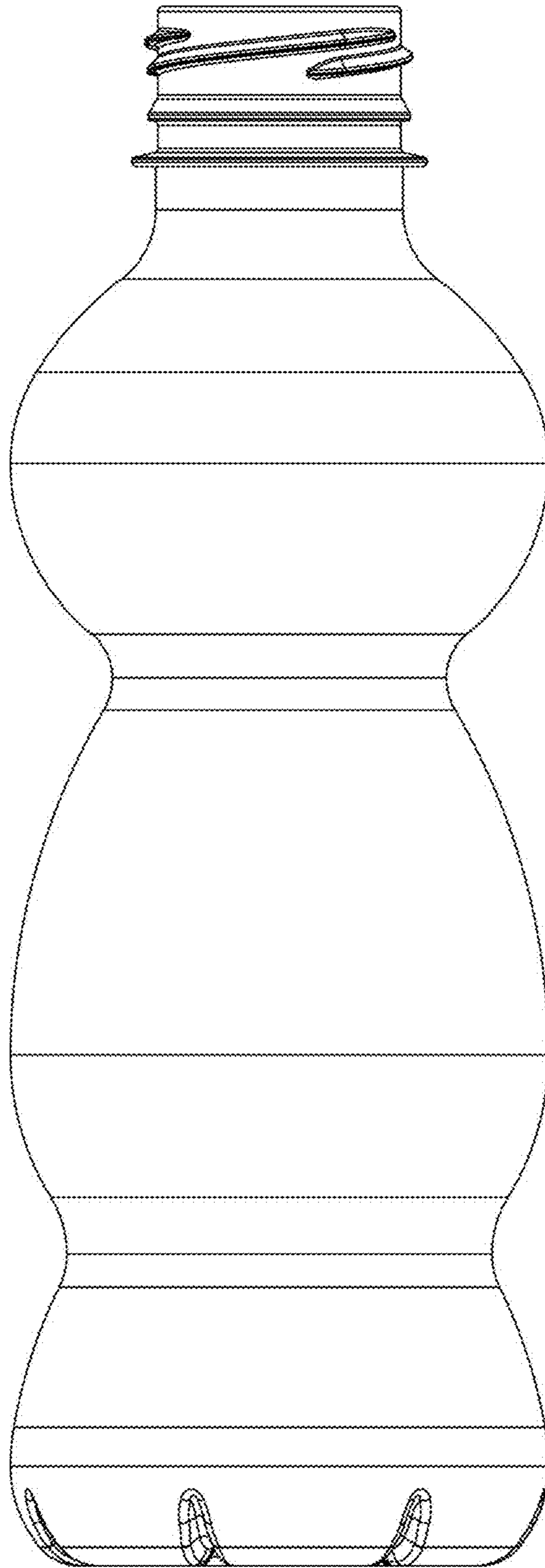


FIG. 2

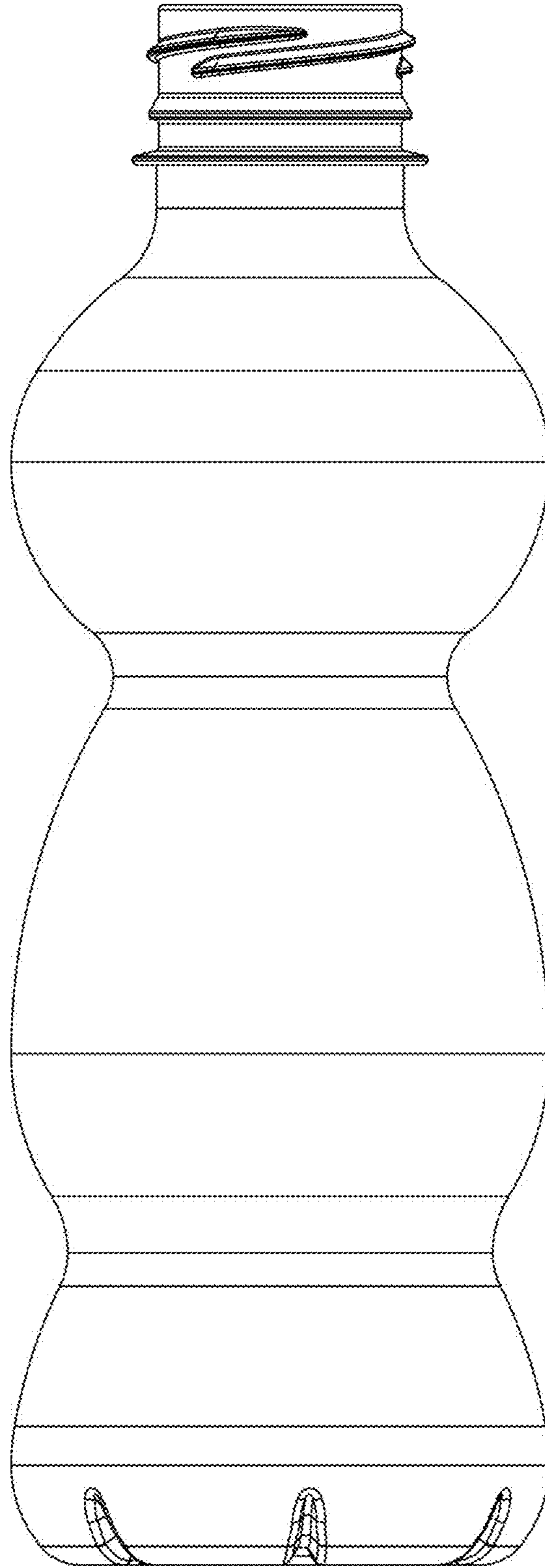


FIG. 3

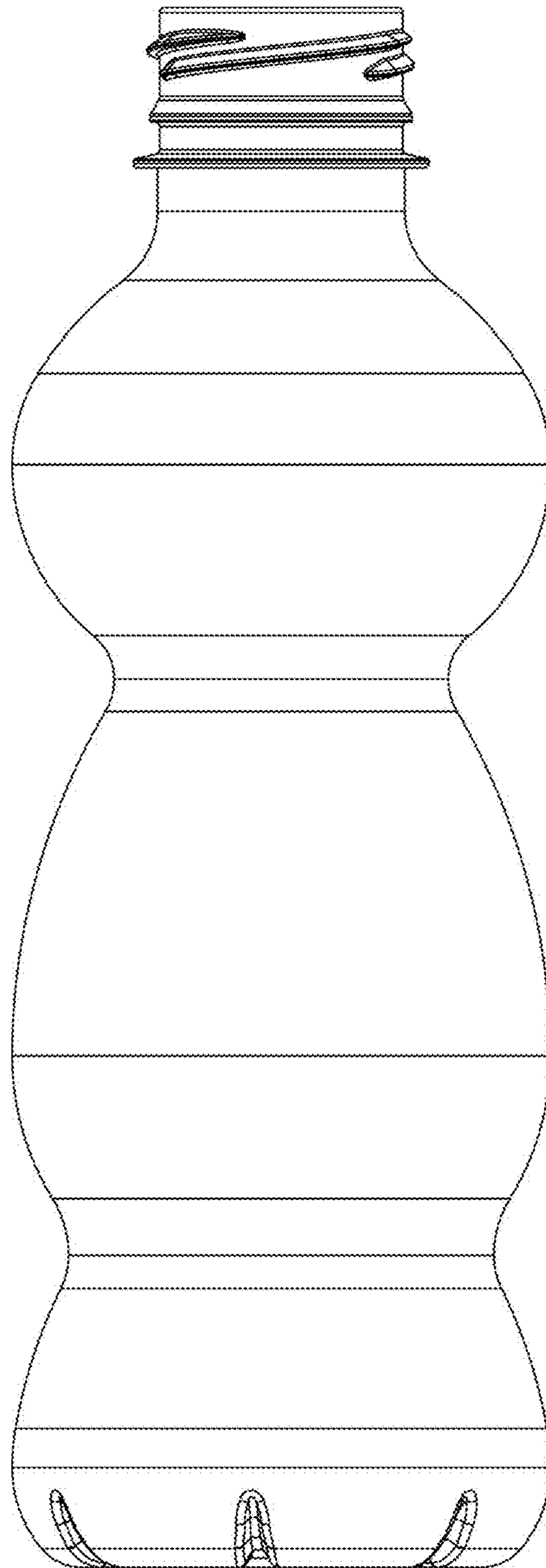


FIG. 4



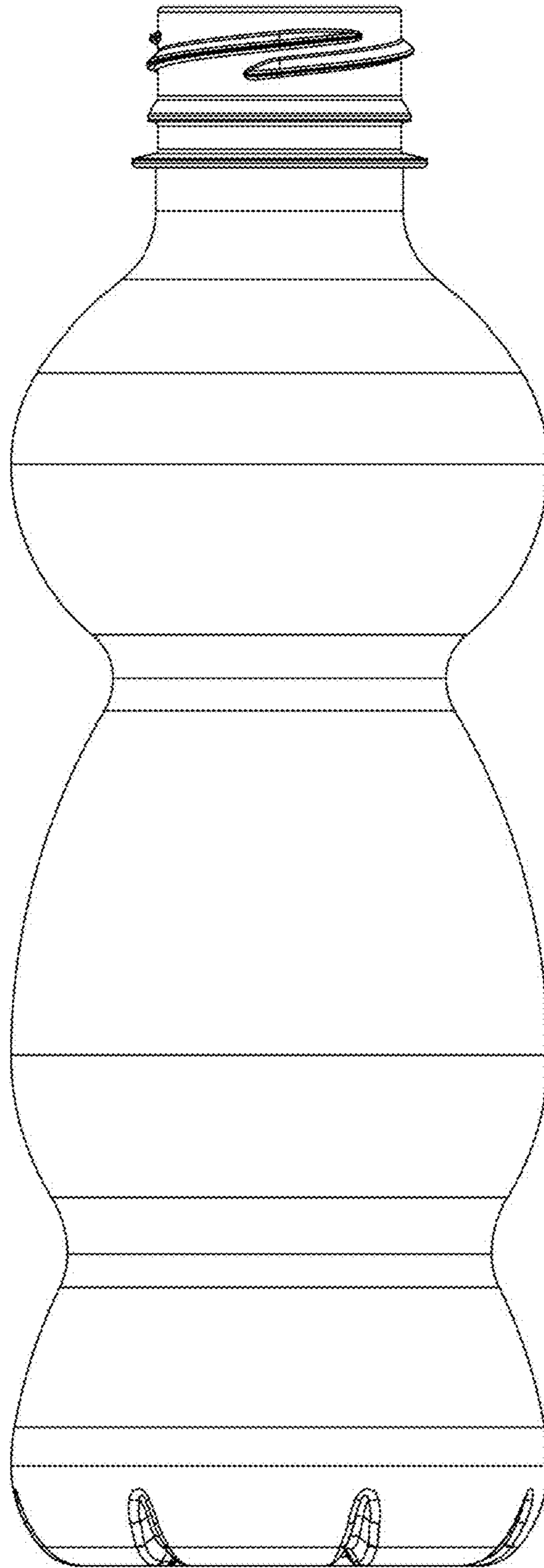


FIG. 5

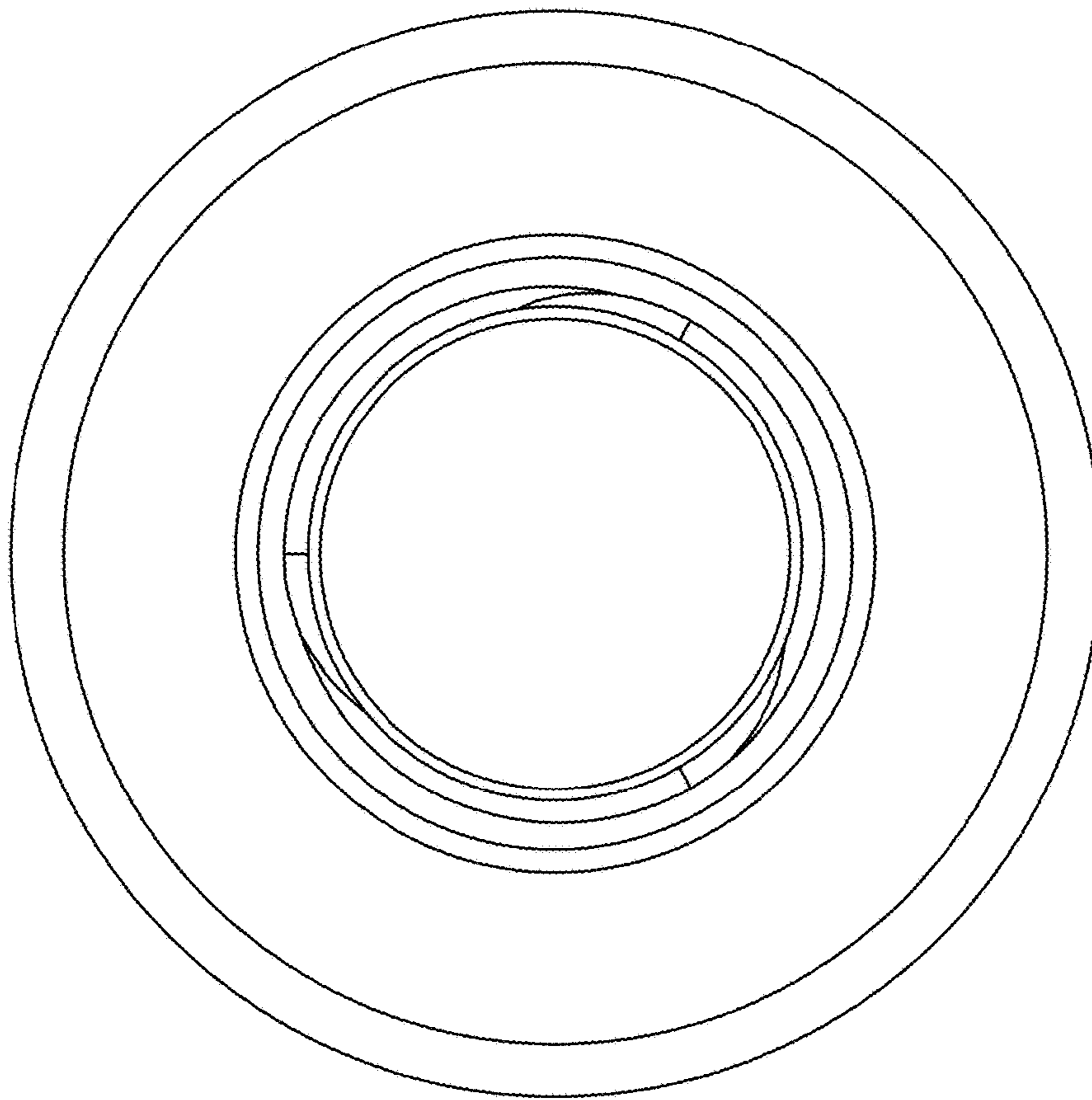


FIG. 6

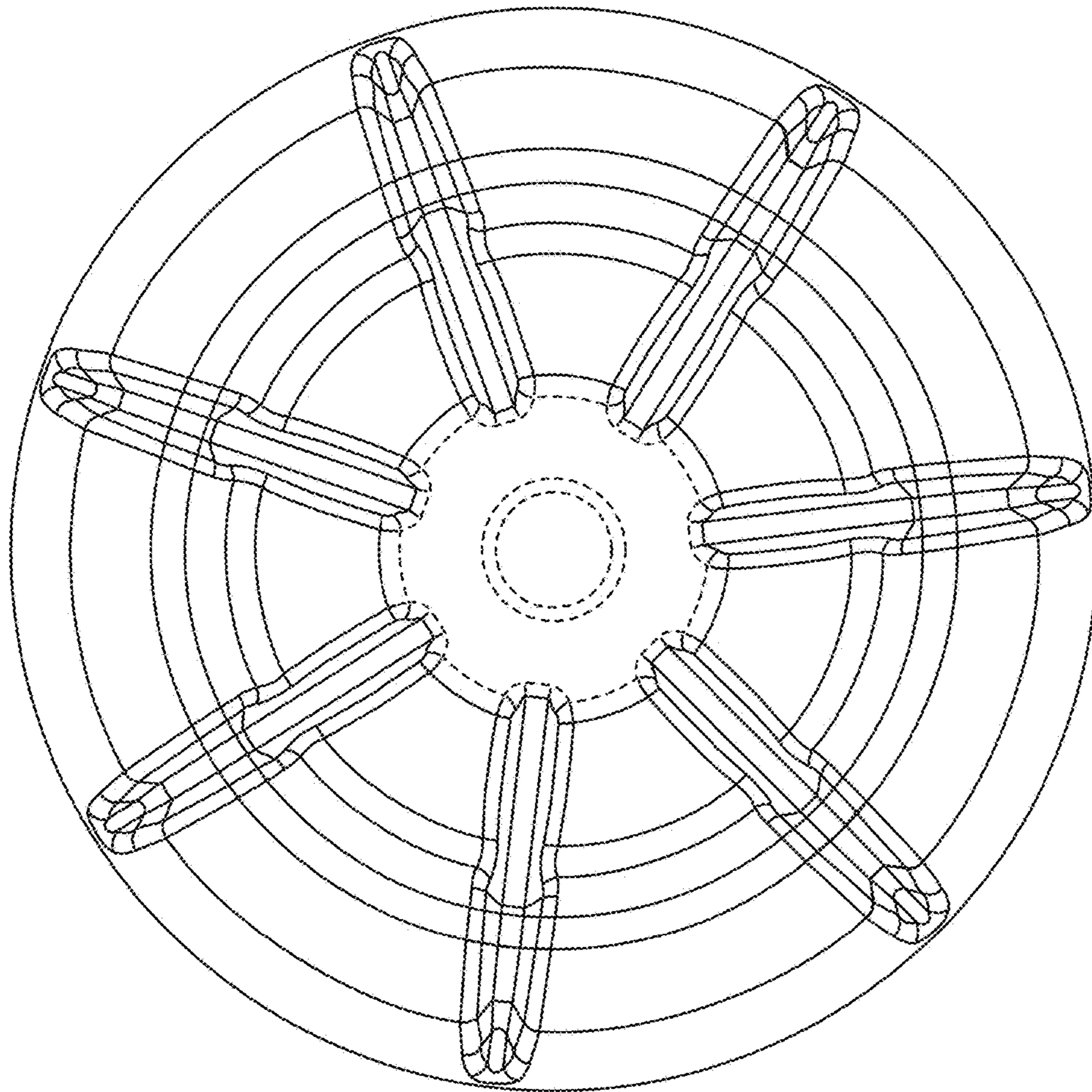


FIG. 7