



US00D815536S

(12) **United States Design Patent**  
**Liston**

(10) **Patent No.:** **US D815,536 S**  
(45) **Date of Patent:** **\*\* Apr. 17, 2018**

- (54) **CONTAINER**
- (71) Applicant: **CONTAINER LTD**, Hong Kong (HK)
- (72) Inventor: **Brenan Liston**, Sydney (AU)
- (73) Assignee: **CONTAINER LTD**, Des Voeux Road (HK)
- (\*\*) Term: **15 Years**
- (21) Appl. No.: **29/538,394**
- (22) Filed: **Sep. 3, 2015**
- (51) **LOC (11) Cl.** ..... **09-01**
- (52) **U.S. Cl.**  
USPC ..... **D9/529; D9/560; D9/573**
- (58) **Field of Classification Search**  
USPC ..... D7/629, 601, 602, 603, 604, 605, 612, D7/613, 614; D3/215, 218, 207, 312, D3/225-228, 219, 230, 201-206, 273, D3/274; 206/800, 811, 265, 268, 270; D27/172, 186, 187, 188, 189, 191, 192; D9/420-424, 432, 682-694, 529, 560, D9/573, 575; 221/198, 279  
CPC ..... A24F 13/14; A24F 15/12; A24F 15/00; A24F 47/008; A24F 27/04; A24F 27/10; B65D 85/1045; B65D 85/1054; B65D 5/66; B65D 5/88; B65D 85/10; B65F 2240/14; B65F 2230/15; B65F 1/1421  
See application file for complete search history.

- D301,837 S \* 6/1989 Peterson ..... D9/529
- D302,659 S \* 8/1989 Peterson ..... D9/529
- 5,044,550 A \* 9/1991 Lamm ..... B31B 7/00  
206/245
- D323,292 S \* 1/1992 Jones ..... D9/424
- D323,293 S \* 1/1992 Gutkowski ..... D9/529
- D324,998 S \* 3/1992 Klapwald ..... D9/447
- D352,242 S \* 11/1994 Crawford ..... D9/516
- D362,626 S \* 9/1995 Rossi ..... D9/529
- D364,344 S \* 11/1995 Shaw ..... D9/421
- 5,482,172 A \* 1/1996 Braddock ..... B65D 1/06  
215/237
- D367,605 S \* 3/1996 Moore ..... D9/529
- D367,608 S \* 3/1996 Stranders ..... D9/529
- D372,872 S \* 8/1996 Crawford ..... D9/449
- D383,062 S \* 9/1997 Gilels ..... D9/421
- D390,459 S \* 2/1998 King ..... D3/294
- D404,201 S \* 1/1999 Wennerstrom ..... D3/294
- D405,007 S \* 2/1999 Naas, Sr. .... D27/189
- D405,373 S \* 2/1999 Crawford ..... D9/529
- D412,279 S \* 7/1999 Brice ..... D7/629
- 5,954,213 A \* 9/1999 Gerhart ..... B65D 81/3288  
206/514
- D419,259 S \* 1/2000 Johnson ..... D27/175

(Continued)

*Primary Examiner* — Shannon Morgan  
(74) *Attorney, Agent, or Firm* — Ladas & Parry LLP

(57) **CLAIM**

I claim the ornamental design for a container, as shown and described.

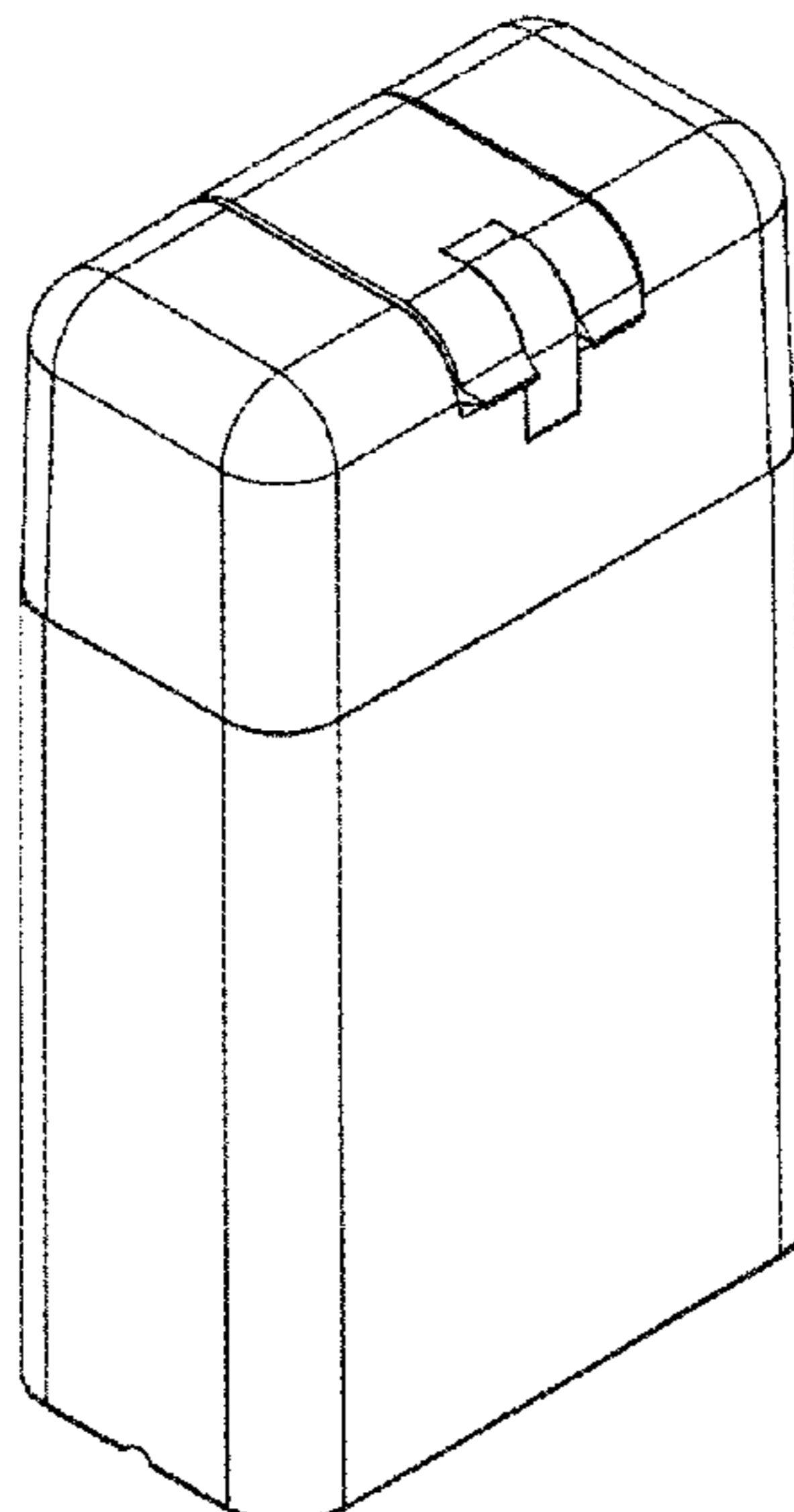
**DESCRIPTION**

FIG. 1 is a top plan view of container showing my new design;  
FIG. 2 is a left side elevational view thereof;  
FIG. 3 is a front elevational view thereof;  
FIG. 4 is a right-side elevational view thereof;  
FIG. 5 is a rear elevational view thereof;  
FIG. 6 is a front perspective view thereof; and,  
FIG. 7 is a rear perspective view thereof.

**1 Claim, 7 Drawing Sheets**

(56) **References Cited**  
U.S. PATENT DOCUMENTS

- D183,717 S \* 10/1958 Casler ..... D9/432
- 3,327,887 A \* 6/1967 Chalmers ..... B65D 85/10  
206/268
- D215,817 S \* 11/1969 Gorman ..... D9/687
- D223,544 S \* 5/1972 Basel ..... D7/612
- D265,459 S \* 7/1982 Picot ..... D9/448



(56)

References Cited

U.S. PATENT DOCUMENTS

D419,433 S *	1/2000	Conway	.....	D9/687	D618,544 S *	6/2010	Collins	.....	D9/420
D424,448 S *	5/2000	Weber	.....	D9/529	D618,545 S *	6/2010	Toinet	.....	D9/423
D449,782 S *	10/2001	Diaz	.....	D7/629	D624,816 S *	10/2010	Lutzig	.....	D27/187
6,349,866 B1 *	2/2002	Stewart	.....	B65D 5/703 220/259.1	D627,663 S *	11/2010	Kruetzkamp	.....	D9/687
D471,804 S *	3/2003	Staples	.....	D9/782	D642,929 S *	8/2011	Mansau	.....	D9/686
D472,772 S *	4/2003	Noble	.....	D7/629	D644,108 S *	8/2011	Vila Calvo	.....	D9/529
D491,456 S *	6/2004	Cagle	.....	D9/687	D653,535 S *	2/2012	Tearle	.....	D27/189
D500,641 S *	1/2005	Wolf	.....	D7/629	D657,240 S *	4/2012	England	.....	D9/432
D503,037 S *	3/2005	Terronez	.....	D3/215	D660,181 S *	5/2012	Nowacek	.....	D9/435
6,910,623 B2 *	6/2005	Stewart	.....	B65D 5/703 220/259.1	D670,570 S *	11/2012	Matsushita	.....	D9/529
D527,640 S *	9/2006	Cummings	.....	D9/529	D673,034 S *	12/2012	Villiers	.....	D9/420
D543,865 S *	6/2007	Walters	.....	D9/684	D675,915 S *	2/2013	Villiers	.....	D9/420
D556,056 S *	11/2007	Thomas	.....	D9/529	D675,916 S *	2/2013	Villiers	.....	D9/420
D573,474 S *	7/2008	Beam	.....	D9/423	D675,917 S *	2/2013	Holford	.....	D9/423
D579,325 S *	10/2008	Bray	.....	B65D 85/1045 D9/423	D675,918 S *	2/2013	Holford	.....	D9/423
D593,420 S *	6/2009	Augenbraun	.....	D9/529	D679,178 S *	4/2013	Villiers	.....	D9/420
D607,318 S *	1/2010	Collins	.....	B65D 85/1045 D9/423	D706,637 S *	6/2014	James	.....	D9/449
					D725,482 S *	3/2015	Stabinsky	.....	D9/685
					2007/0215631 A1 *	9/2007	Bendor	.....	A47K 10/42 221/63
					2011/0240494 A1 *	10/2011	Vecchi	.....	B65D 85/1045 206/273

\* cited by examiner

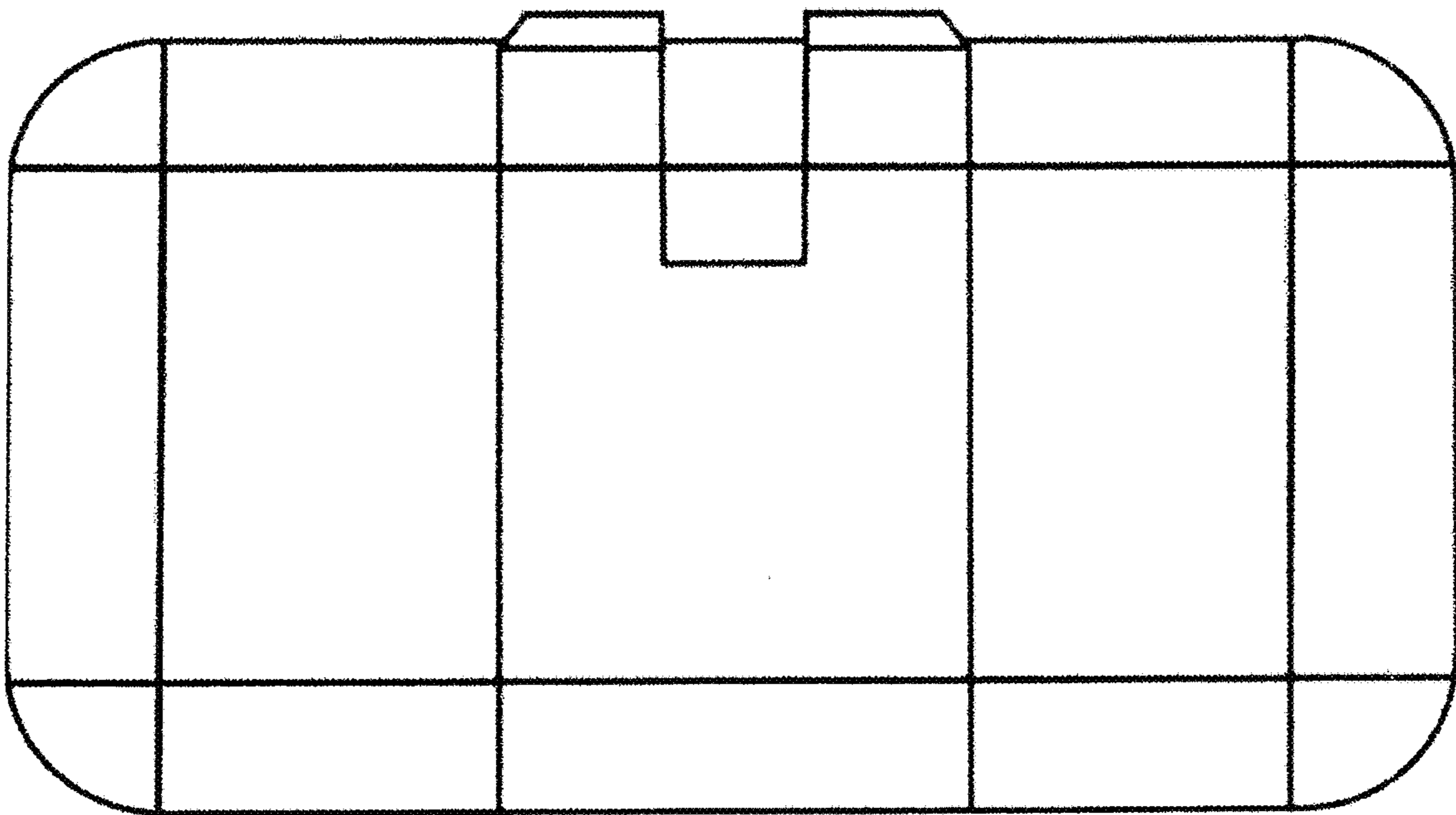


FIG. 1

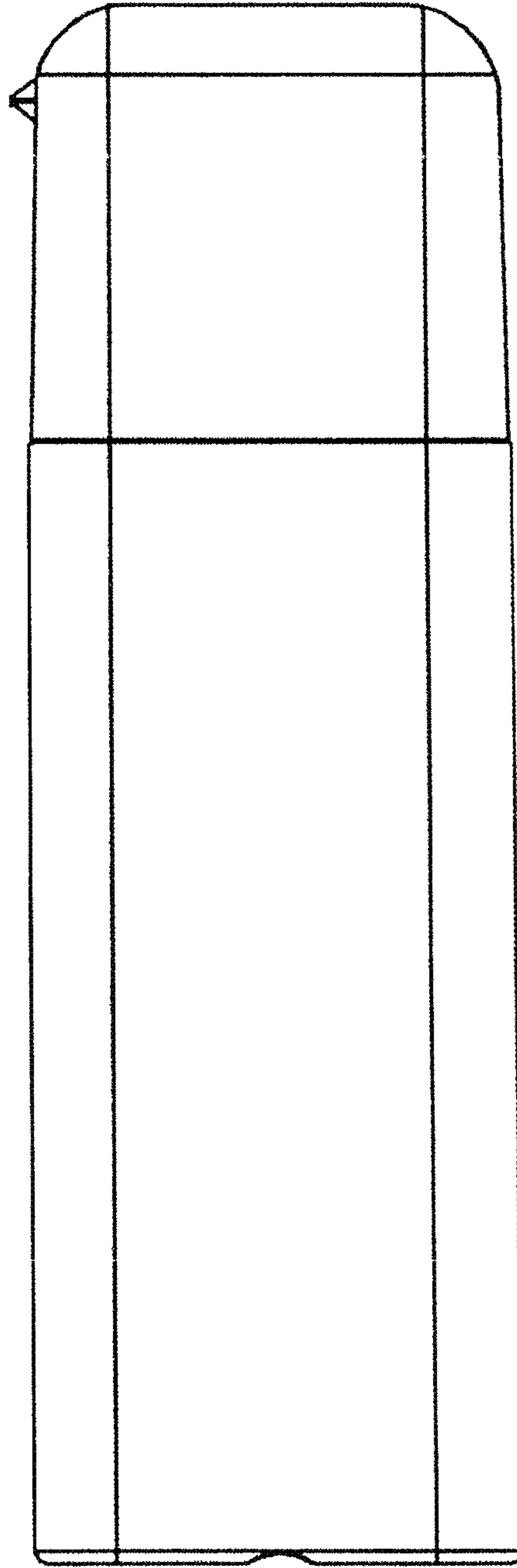


FIG. 2

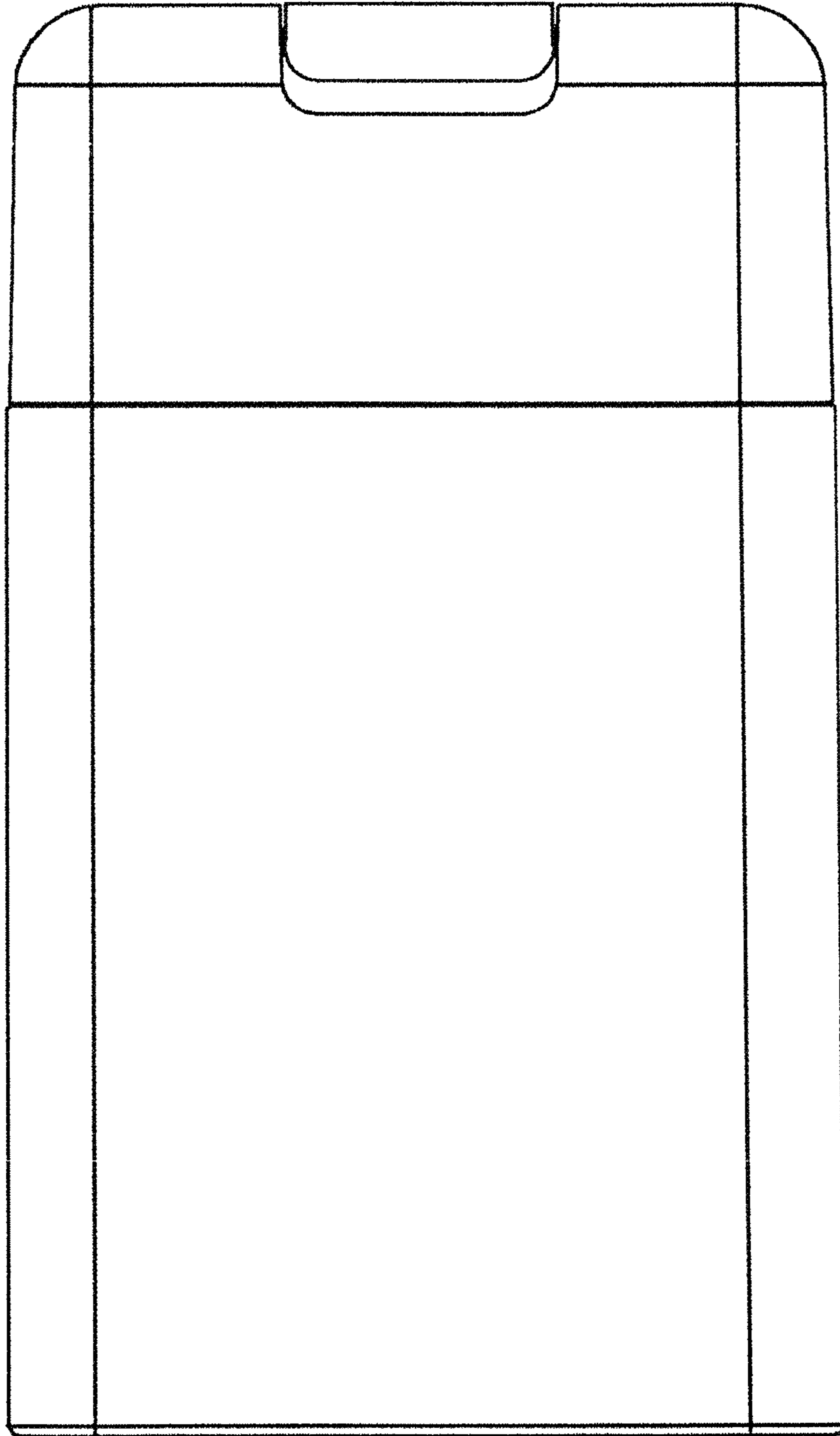


FIG. 3

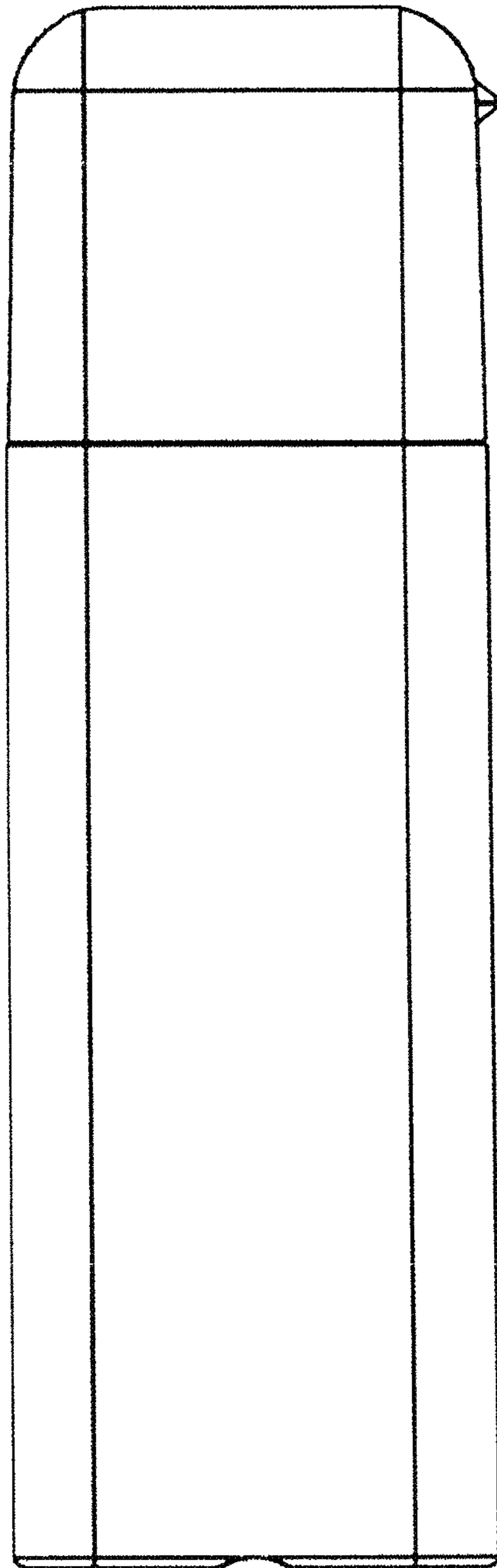


FIG. 4

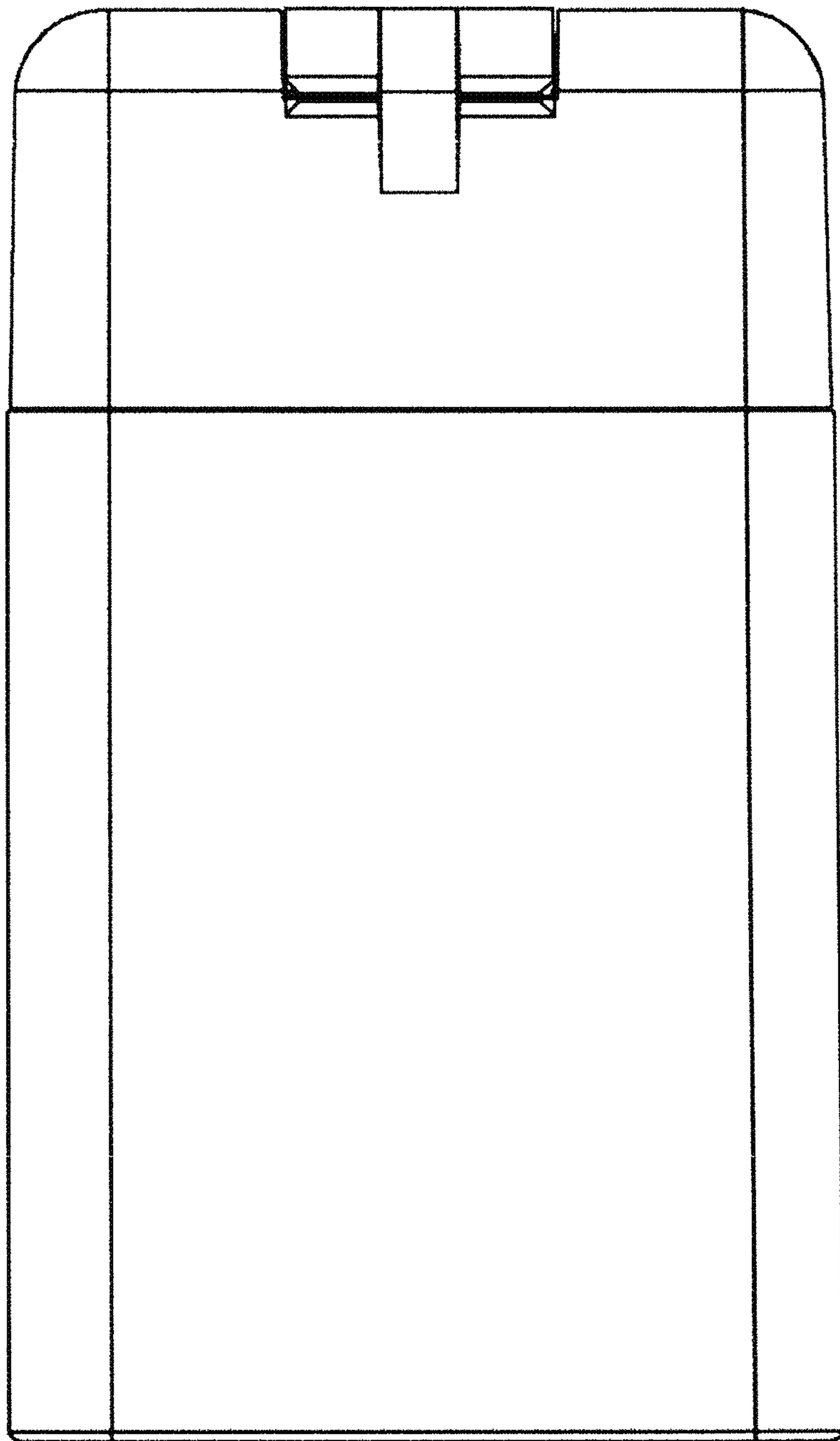


FIG. 5

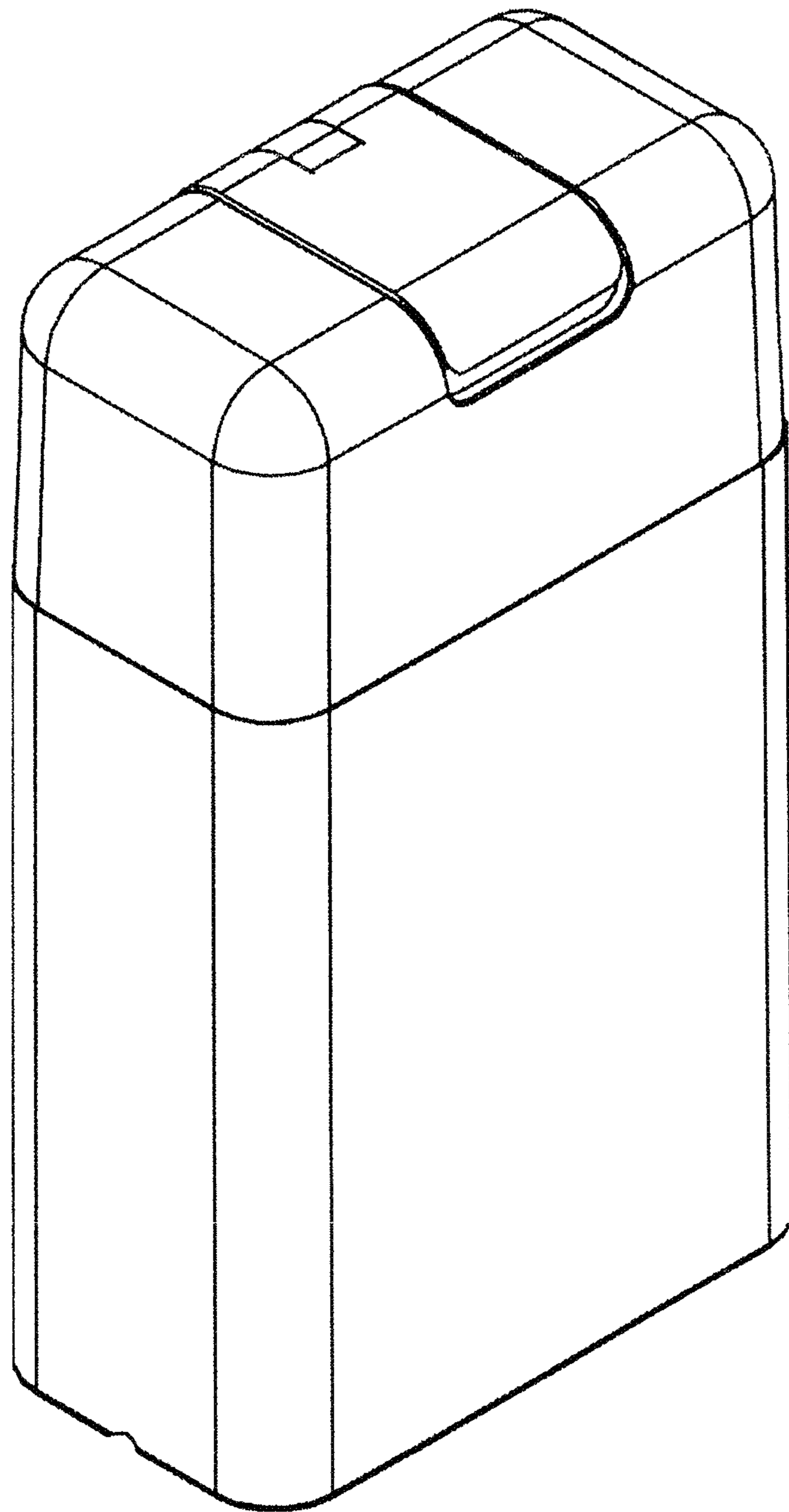


FIG. 6



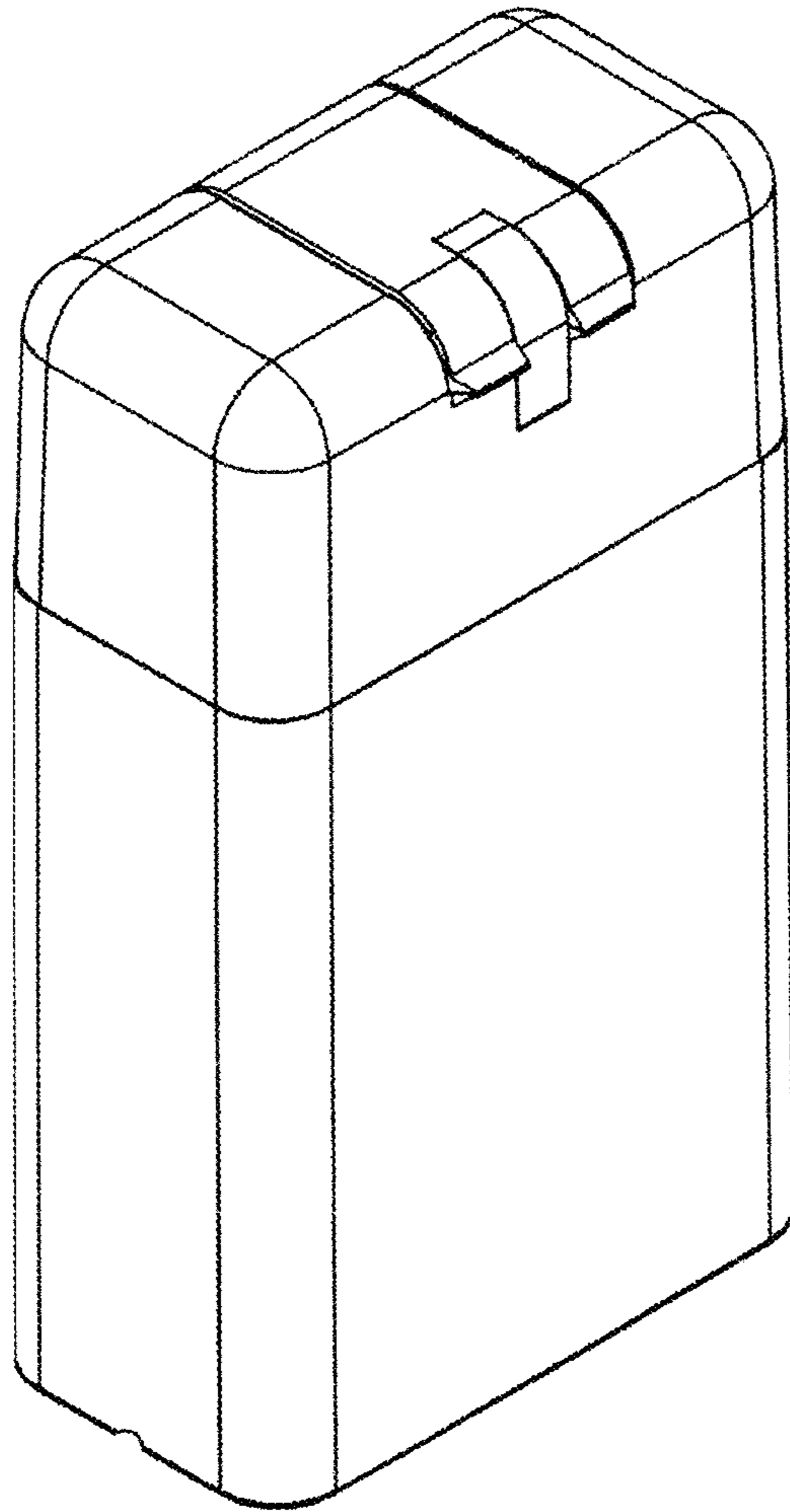


FIG. 7