



US00D815534S

(12) **United States Design Patent**  
**Hudson et al.**

(10) **Patent No.:** **US D815,534 S**

(45) **Date of Patent:** **\*\* Apr. 17, 2018**

(54) **STORAGE CONTAINER**

(71) Applicant: **THE SHERWIN-WILLIAMS COMPANY**, Cleveland, OH (US)

(72) Inventors: **Richard D. Hudson**, North Olmsted, OH (US); **James J. Johnson**, Akron, OH (US); **Gustavo A. Morales**, Brunswick, OH (US); **Edward Ray Goodwin**, Westlake, OH (US); **Michael C. Lambertson, Jr.**, Aurora, OH (US); **Charles T. Buckel, Jr.**, Valley City, OH (US)

(73) Assignee: **THE SHERWIN-WILLIAMS COMPANY**, Cleveland, OH (US)

(\*\*) Term: **15 Years**

(21) Appl. No.: **29/573,849**

(22) Filed: **Aug. 10, 2016**

(51) **LOC (11) Cl.** ..... **09-01**

(52) **U.S. Cl.**

USPC ..... **D9/527**; D9/575

(58) **Field of Classification Search**

USPC ..... D7/598, 600; D9/454, 516, 522-524, D9/526-528, 530-533, 537, 540, 544, D9/545, 549, 575, 715, 719, 741-745; D32/53, 53.1, 54; D23/211, 211.1, 212  
CPC ..... B44D 3/12; B65D 25/32; B65D 21/0231; B65D 23/102; B65D 47/06

See application file for complete search history.

(56) **References Cited**

**U.S. PATENT DOCUMENTS**

D248,370 S \* 7/1978 Beekenkamp ..... D7/321  
D266,450 S \* 10/1982 Swett ..... D23/212  
D268,810 S \* 5/1983 Hartung ..... D9/524  
D269,303 S \* 6/1983 Goetz ..... D32/53  
D321,317 S \* 11/1991 Sherman ..... D9/524

D340,189 S 10/1993 Fletcher  
D355,365 S \* 2/1995 Charbonneau ..... D9/524  
D367,201 S \* 2/1996 Joergensen ..... D7/305  
D370,153 S \* 5/1996 Chaney ..... D7/503  
5,549,216 A \* 8/1996 Scholl ..... B44D 3/12  
220/695

5,564,525 A \* 10/1996 Dunnegan ..... F01M 11/0458  
141/98

D378,494 S 3/1997 Miller  
(Continued)

*Primary Examiner* — Ian Simmons

*Assistant Examiner* — Keith Frank

(74) *Attorney, Agent, or Firm* — Tucker Ellis LLP; Carlos Garritano

(57) **CLAIM**

The ornamental design for a storage container, as shown and described.

**DESCRIPTION**

FIG. 1 is a perspective view of a storage container showing our new design;

FIG. 2 is a rear perspective view of the storage container illustrated in FIG. 1;

FIG. 3 is a front view of the storage container illustrated in FIG. 1;

FIG. 4 is a rear view of the storage container illustrated in FIG. 1;

FIG. 5 is a left side view of the storage container illustrated in FIG. 1;

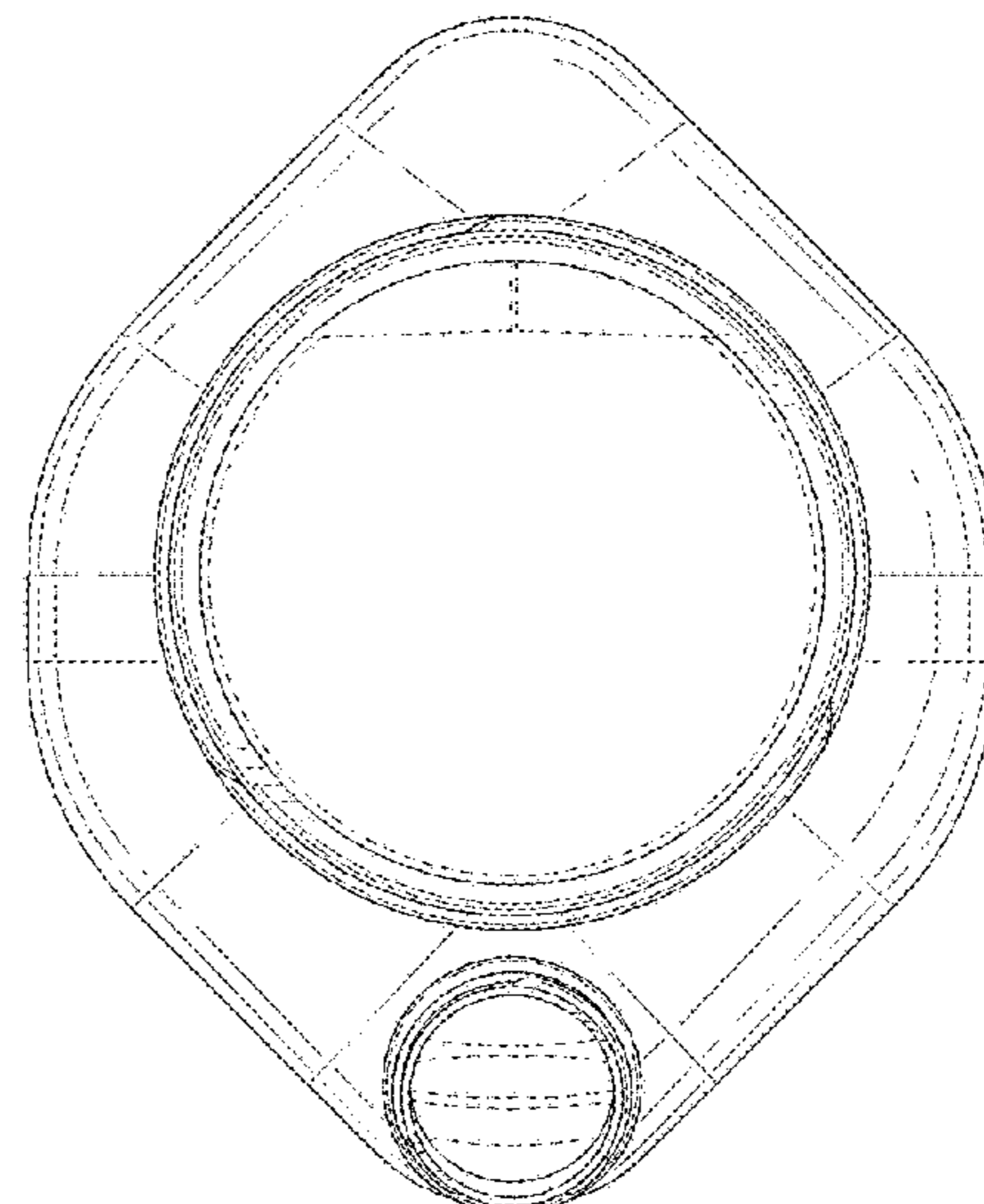
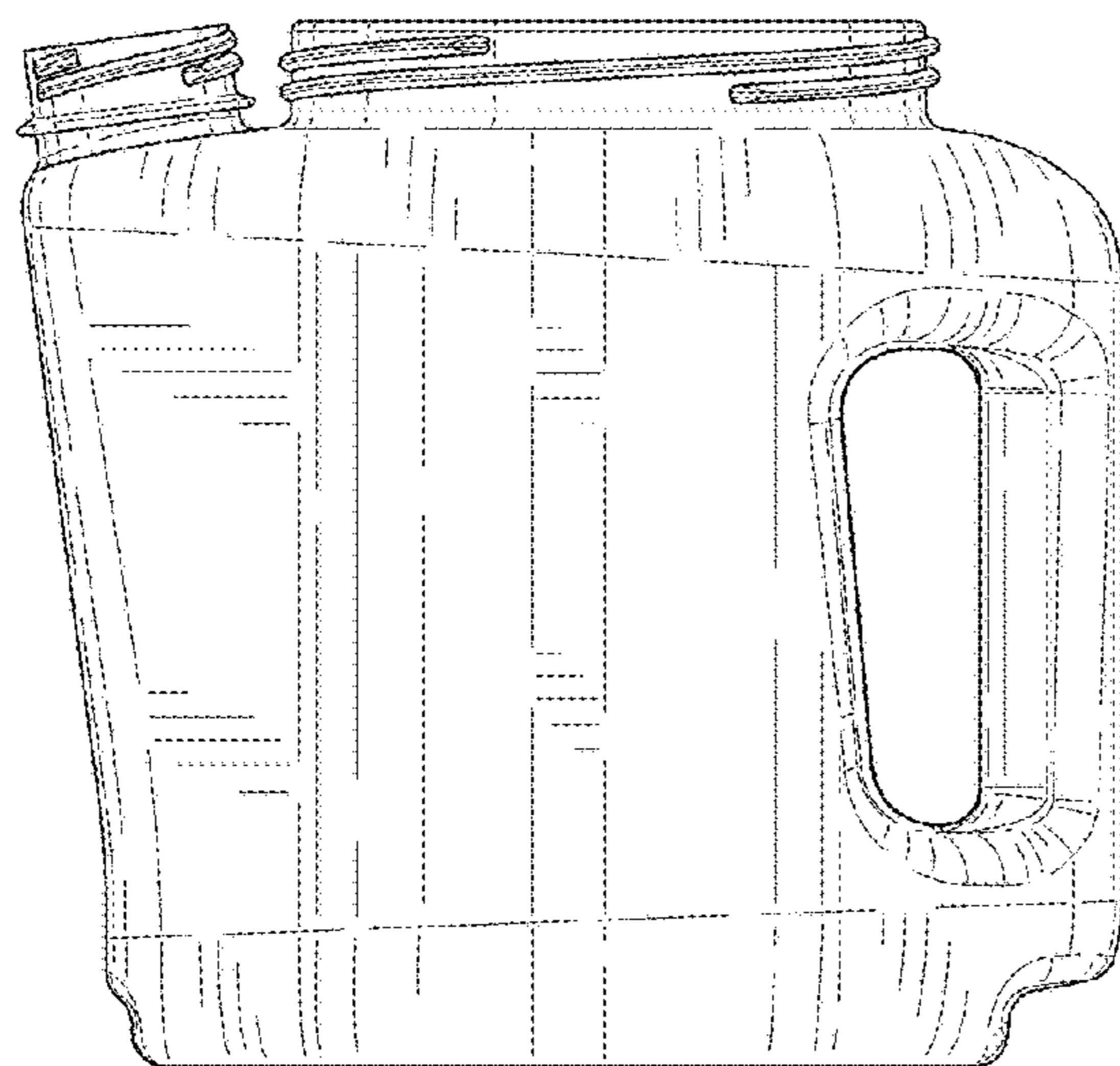
FIG. 6 is a right side view of the storage container illustrated in FIG. 1;

FIG. 7 is a top view of the storage container illustrated in FIG. 1; and,

FIG. 8 is a bottom view of the storage container illustrated in FIG. 1.

The broken lines in the drawings showing the storage container illustrate the portions of the storage container that form no part of the claimed designed.

**1 Claim, 8 Drawing Sheets**



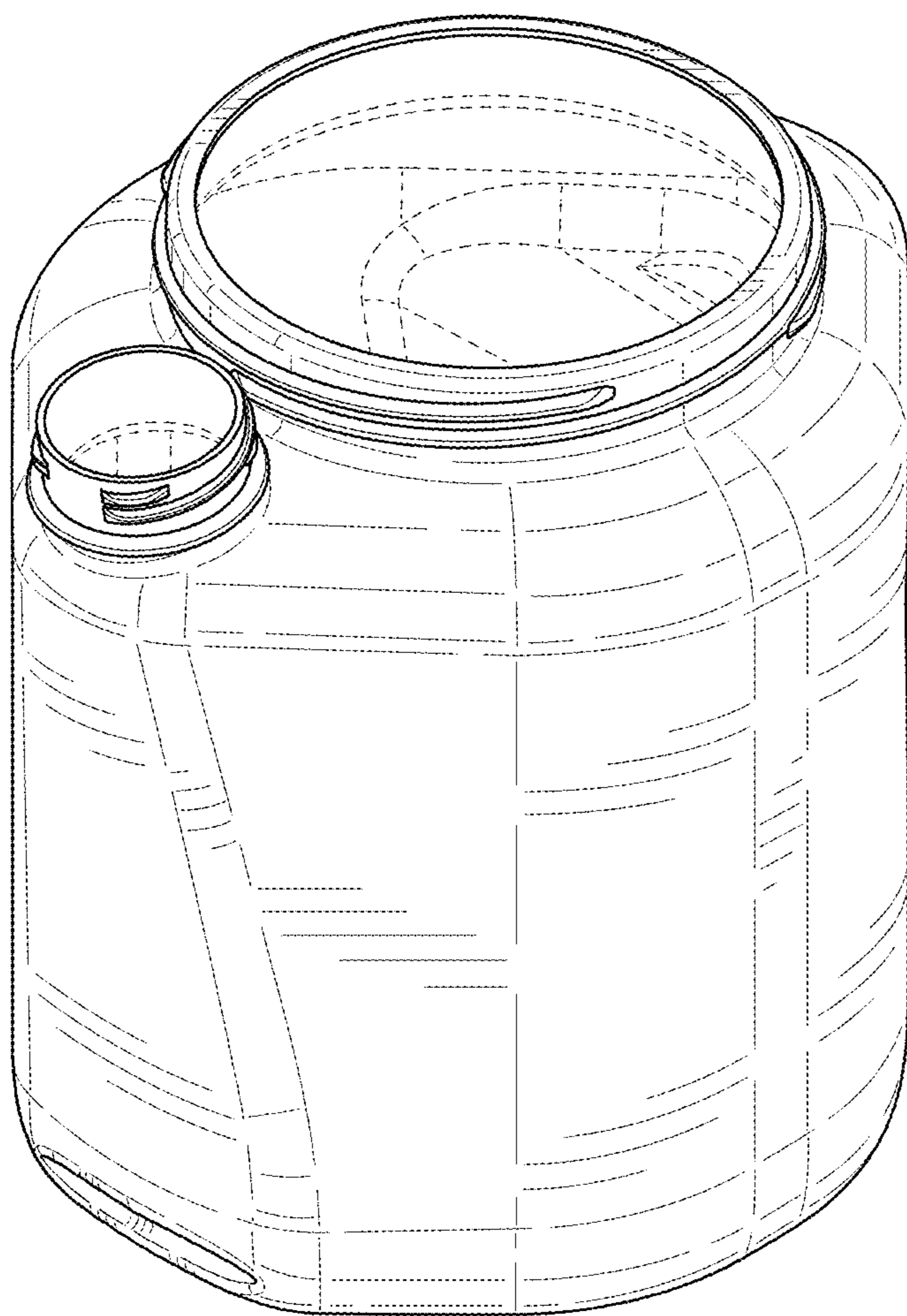
(56)

**References Cited**

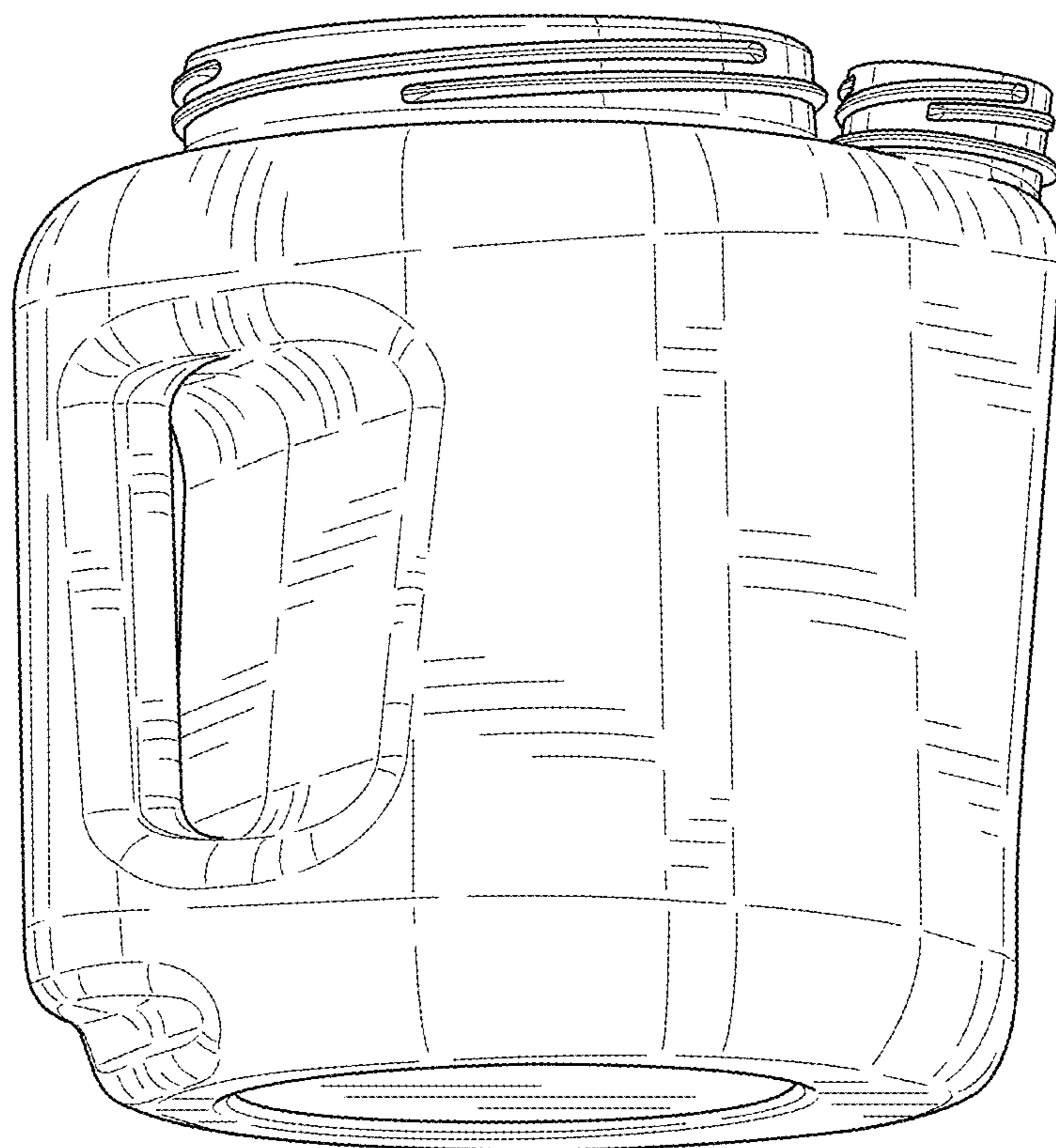
## U.S. PATENT DOCUMENTS

5,669,526 A \* 9/1997 Keyfauver ..... B44D 3/12  
206/508  
5,727,708 A \* 3/1998 Erickson ..... B44D 3/126  
206/514  
D398,663 S \* 9/1998 Freeland ..... D21/532  
5,855,304 A 1/1999 Dean  
D431,472 S 10/2000 Cain  
D458,514 S \* 6/2002 Dorion ..... D7/600  
D460,845 S 7/2002 Bergman  
6,708,838 B2 3/2004 Bergman  
D505,076 S 5/2005 Logan  
D550,090 S \* 9/2007 Meeker ..... D9/528  
D563,229 S \* 3/2008 Dowel ..... D9/524  
D610,856 S \* 3/2010 Hoffman ..... D7/306  
7,703,641 B2 \* 4/2010 Bravo ..... B44D 3/127  
215/305  
D623,954 S 9/2010 Hawry  
D643,694 S \* 8/2011 Lu ..... D7/629  
D652,305 S \* 1/2012 Yourist ..... D9/524  
D653,548 S 2/2012 Wycoff  
D691,052 S 10/2013 Minghetti  
D728,298 S \* 5/2015 Ma ..... D7/317  
D749,948 S \* 2/2016 Groglopo Favetto ..... D9/443  
D751,913 S 3/2016 Seecof  
9,290,310 B2 3/2016 Sinn  
2007/0187413 A1 8/2007 Gruskin

\* cited by examiner



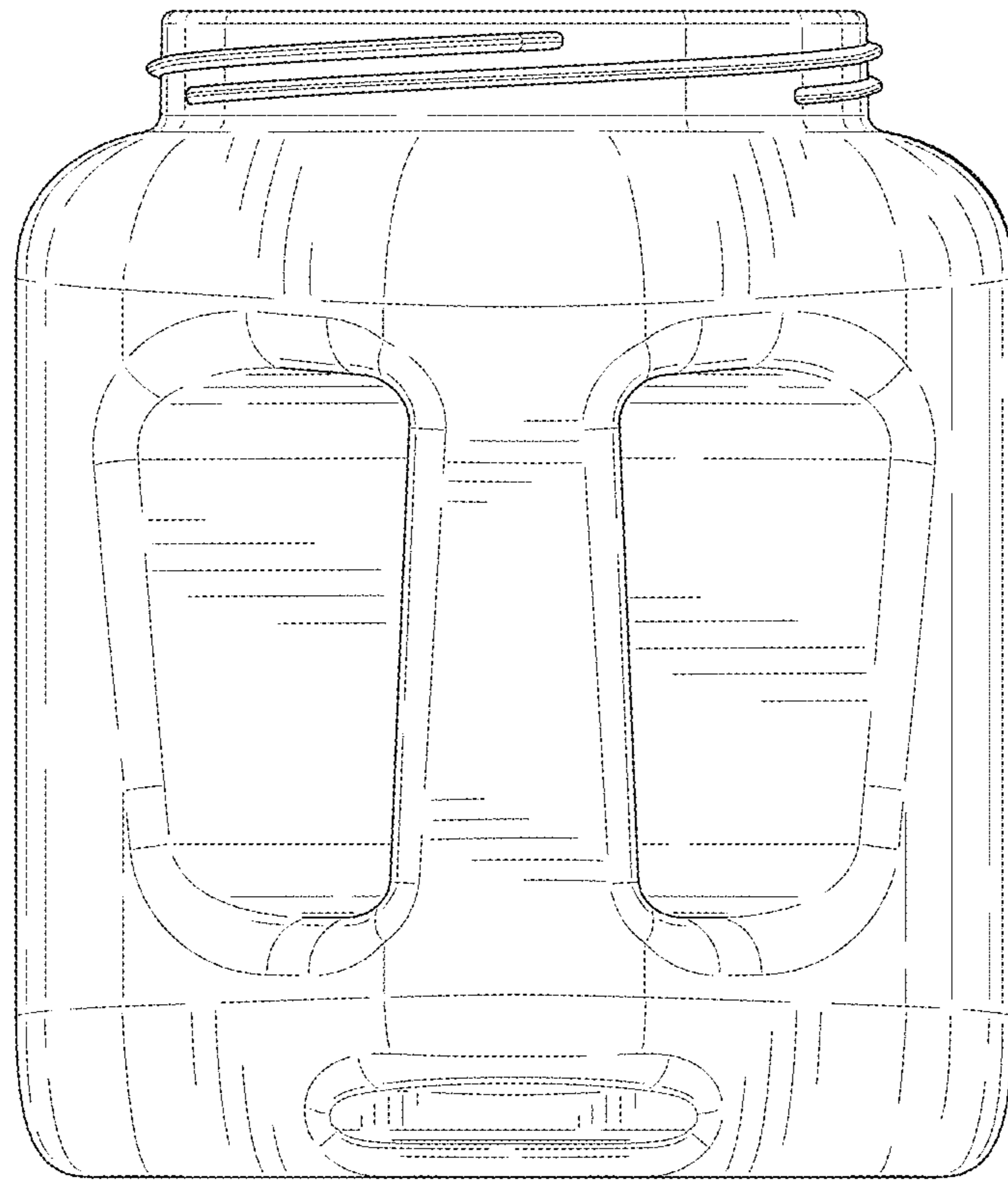
**FIG. 1**



**FIG. 2**



**FIG. 3**



**FIG. 4**

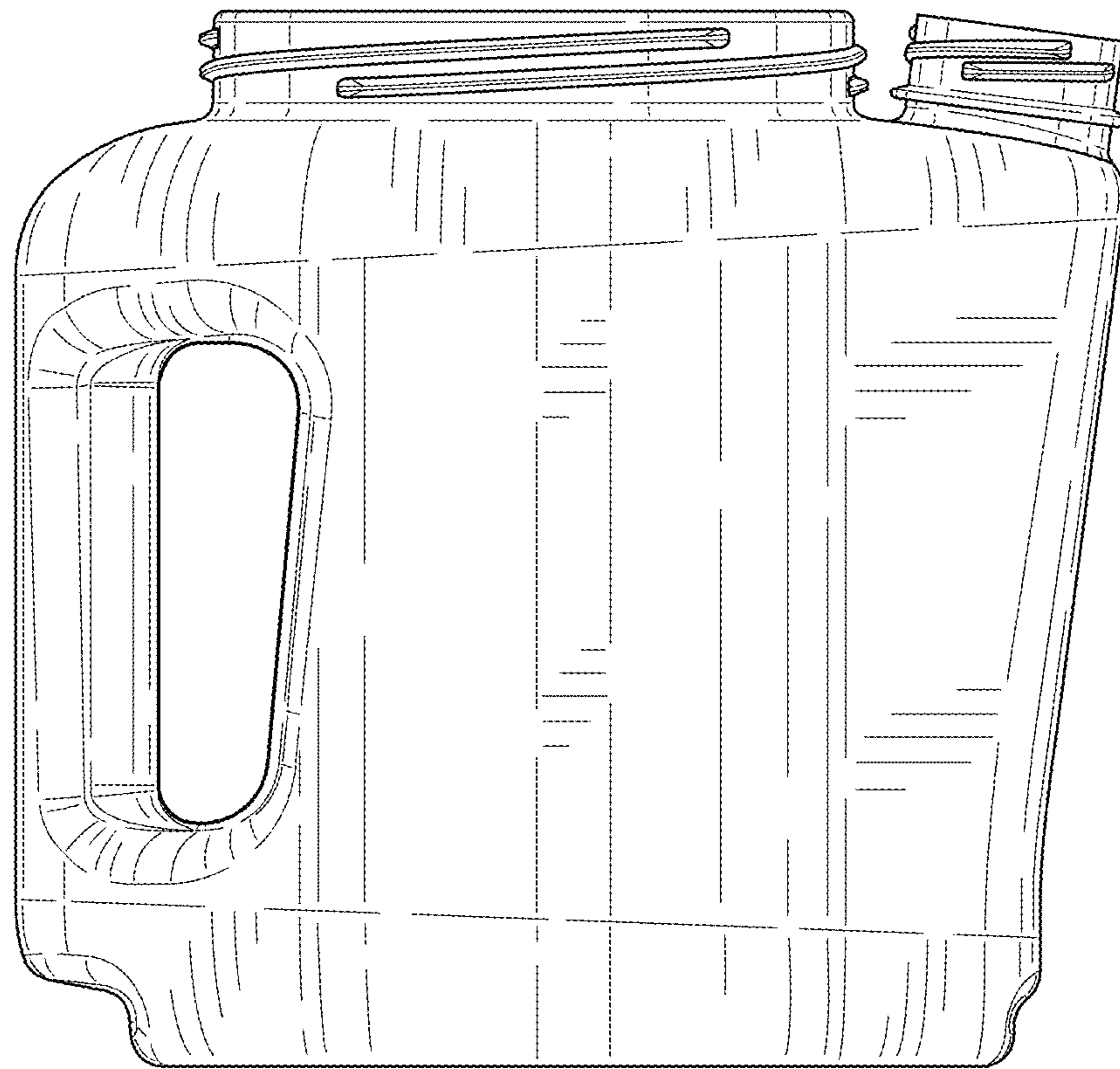


FIG. 5

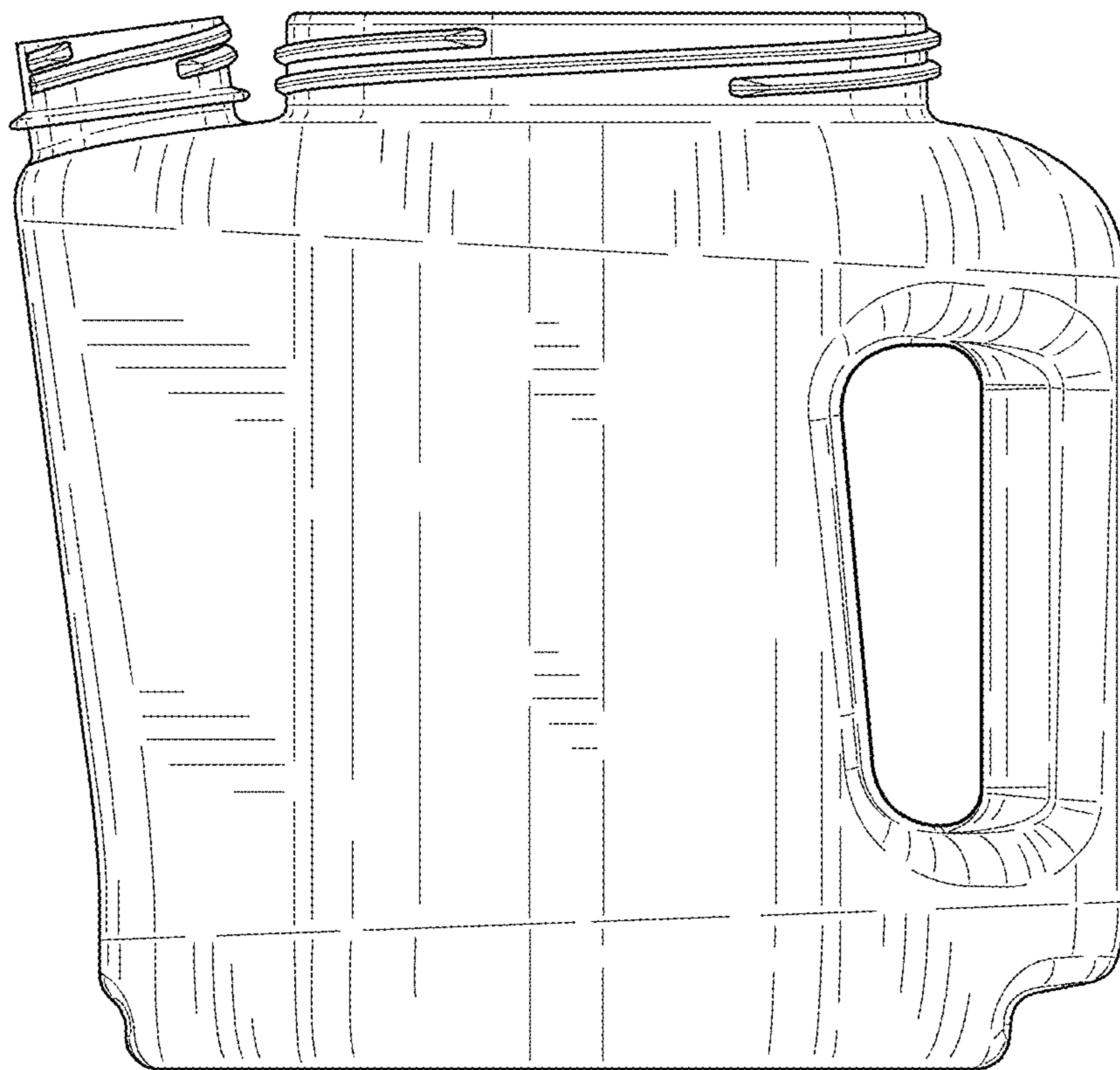
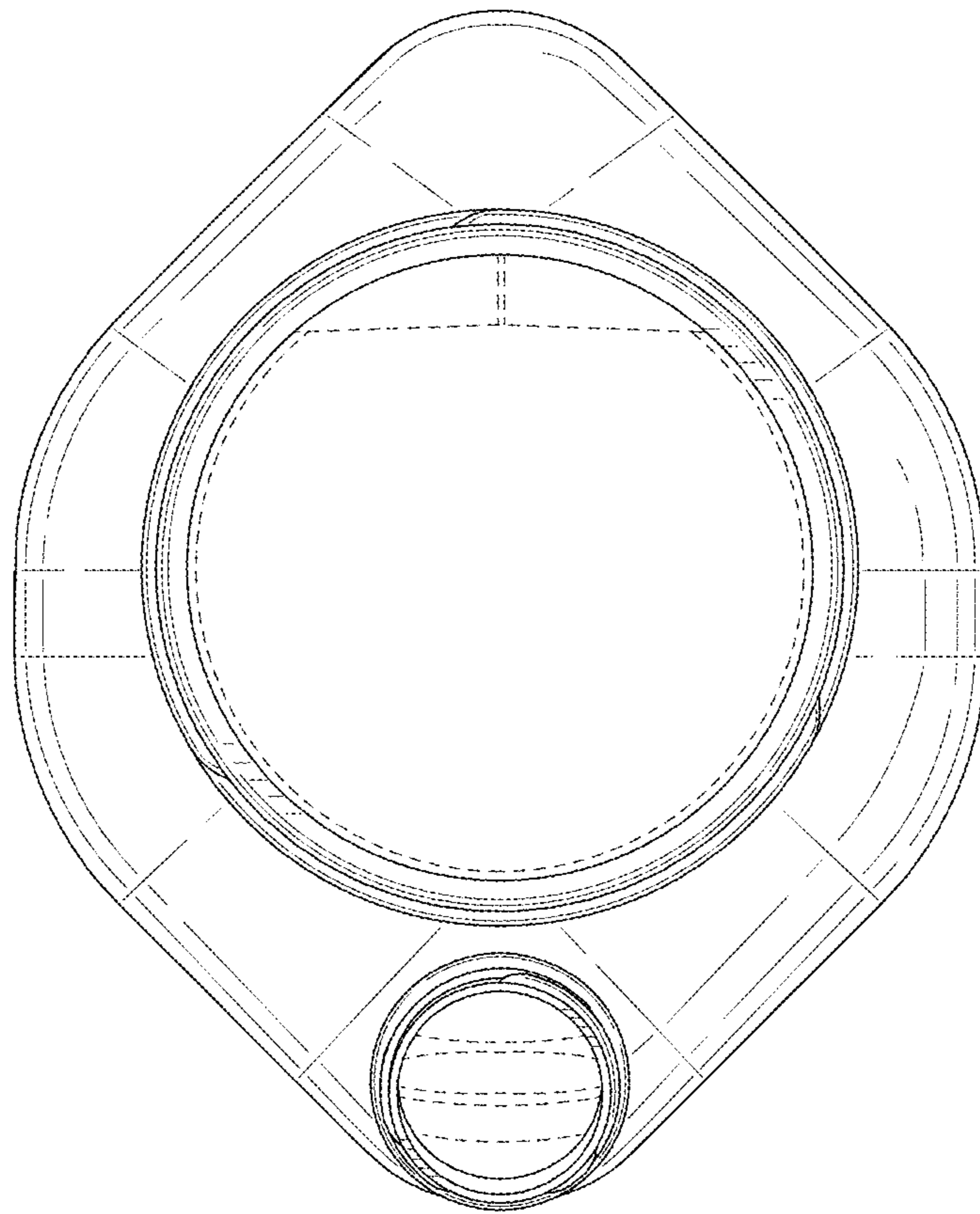
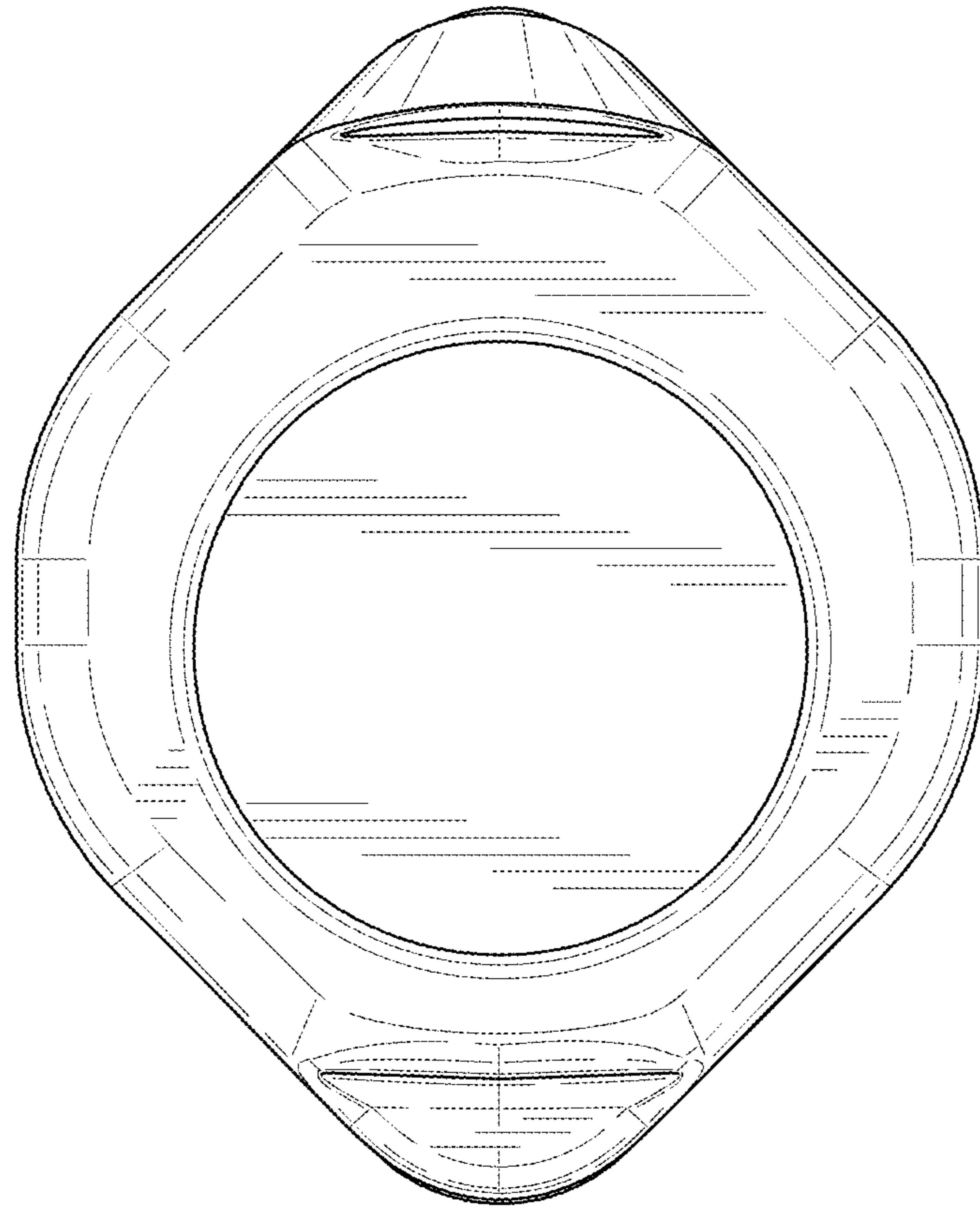


FIG. 6





**FIG. 7**



**FIG. 8**