



US00D815531S

(12) **United States Design Patent**
Wahl et al.

(10) **Patent No.:** **US D815,531 S**
(45) **Date of Patent:** **** Apr. 17, 2018**

- (54) **WIPES DISPENSER CONTAINER**
- (71) Applicant: **THE CLOROX COMPANY**, Oakland, CA (US)
- (72) Inventors: **Stephen Wahl**, San Francisco, CA (US); **Benjamin Ma**, Pleasanton, CA (US); **Scot Herbst**, Santa Cruz, CA (US); **Michael Liebowitz**, Concord, CA (US); **Will Hunter**, Santa Cruz, CA (US)
- (73) Assignee: **The Clorox Company**, Oakland, CA (US)
- (**) Term: **14 Years**
- (21) Appl. No.: **29/519,387**
- (22) Filed: **Mar. 4, 2015**
- (51) **LOC (11) Cl.** **09-01**
- (52) **U.S. Cl.**
USPC **D9/504**; D9/420; D9/449; D9/734
- (58) **Field of Classification Search**
USPC D9/414, 416-417, 420, 422-423, 428, D9/434-435, 446-447, 449, 454, 500, D9/503-504, 516, 530, 537, 539, 549, D9/558, 715, 730, 734; D3/294; D7/629-630; D34/7-8
CPC . B65D 1/00; B65D 1/10; B65D 43/16; B65D 43/163; B65D 83/08
See application file for complete search history.

(56) **References Cited**

U.S. PATENT DOCUMENTS

- 4,280,638 A * 7/1981 Keihm A47K 5/12 222/180
- 6,045,002 A 4/2000 Wierschke
- 6,213,345 B1 4/2001 Plank
- 6,345,725 B1 * 2/2002 Lin B65F 1/1607 220/263

- D470,290 S * 2/2003 Harvey D34/11
- 6,550,634 B1 4/2003 Alegre De MMiquel
- D482,509 S * 11/2003 Lin D34/10
- 6,685,050 B2 2/2004 Schmidt
- D497,795 S * 11/2004 Fling D9/692
- D516,429 S * 3/2006 Helps D7/615
- D540,170 S * 4/2007 Canamasas Puigbo D9/504
- D552,993 S * 10/2007 Rathbone D9/504
- D582,063 S * 12/2008 Spangler D26/22
- D582,580 S * 12/2008 Spangler D26/22
- D596,032 S * 7/2009 Shin D9/449
- D596,035 S * 7/2009 Shin D9/529
- D623,473 S * 9/2010 Chen D7/510
- D628,340 S * 11/2010 Krause D26/128
- 7,909,195 B2 * 3/2011 Rathbone B65D 43/161 215/235
- D651,900 S * 1/2012 Ashiwa D9/504
- D654,761 S * 2/2012 Herbst D11/146
- D674,238 S * 1/2013 Zimmer A47G 19/2205 D7/396.2

(Continued)

Primary Examiner — Dana L Meyrow

(74) *Attorney, Agent, or Firm* — Erin Collins

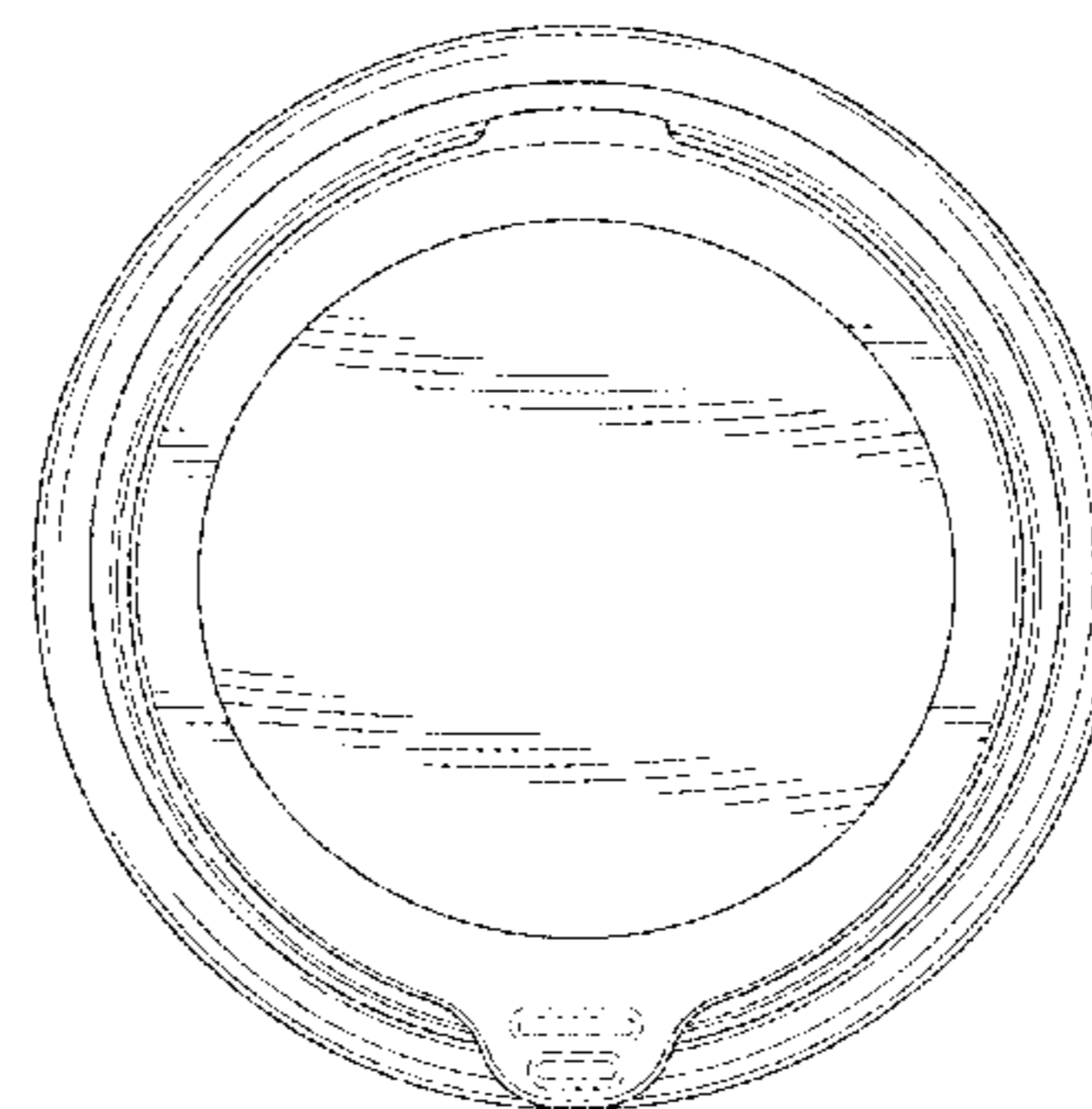
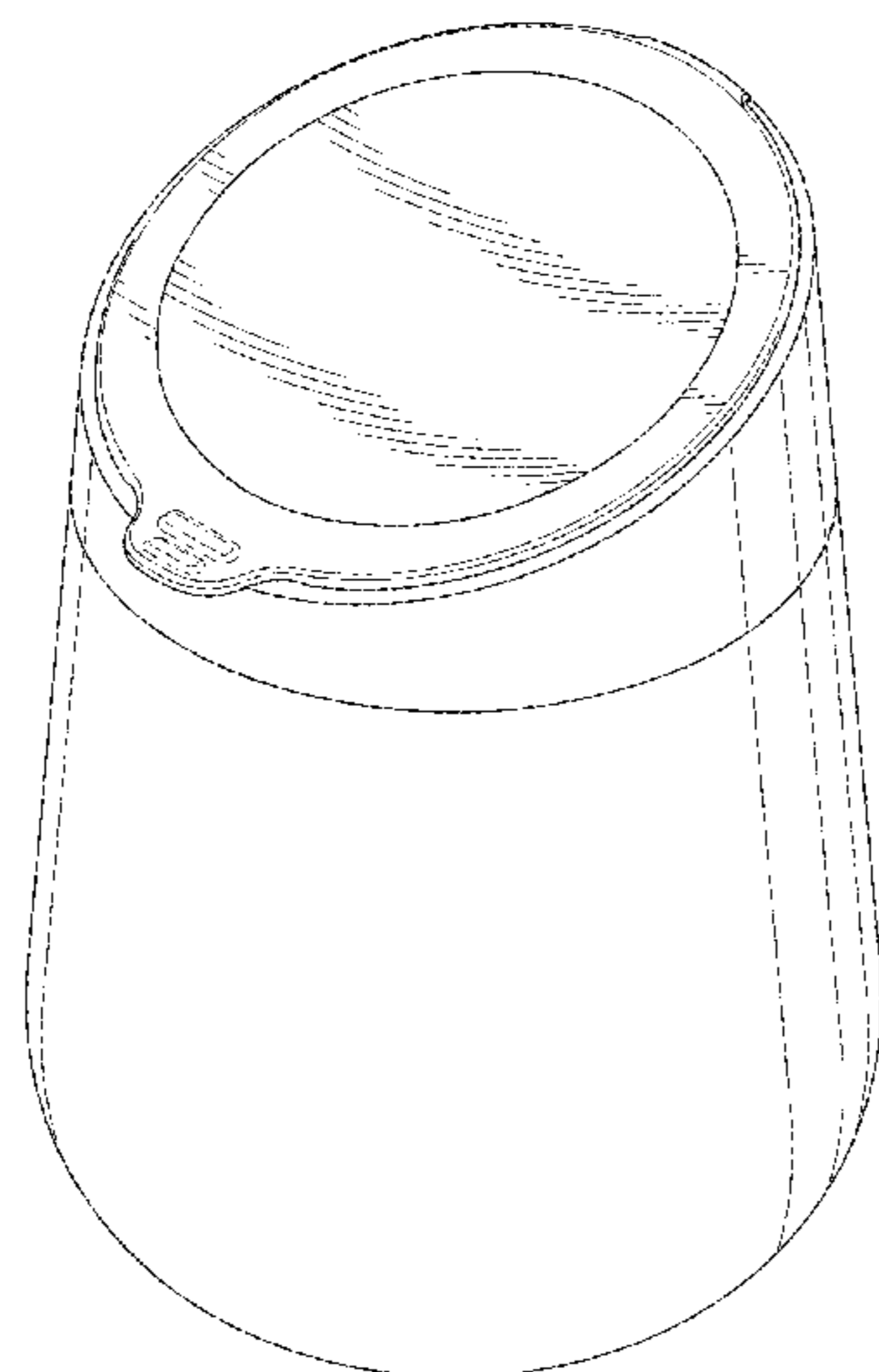
(57) **CLAIM**

The ornamental design for a wipes dispenser container, as shown and described.

DESCRIPTION

FIG. 1 is a perspective view of a wipes dispenser container showing our new design;
 FIG. 2 is a top plan view thereof;
 FIG. 3 is a bottom plan view thereof;
 FIG. 4 is a back view thereof;
 FIG. 5 a front view thereof;
 FIG. 6 is a left side view thereof; and,
 FIG. 7 is a right side view thereof.
 The evenly-dashed broken lines in FIGS. 1-3 & 5-7 illustrate the portions of the wipes dispenser container that form no part of the claim.

1 Claim, 4 Drawing Sheets



(56)

References Cited

U.S. PATENT DOCUMENTS

8,342,360	B2	1/2013	Long	
8,459,485	B2 *	6/2013	Rathbone	B65D 43/161 215/235
D691,888	S *	10/2013	Mettler	D9/454
D719,448	S *	12/2014	Pires	D9/504
D724,383	S *	3/2015	May	D7/510
D729,923	S *	5/2015	Chou	D23/366
D731,315	S *	6/2015	Pires	D9/503
D735,039	S *	7/2015	Pires	D9/504
D739,735	S *	9/2015	Darling	D9/500
D754,544	S *	4/2016	Darling	D9/503
D756,789	S *	5/2016	Darling	D9/503
D757,551	S *	5/2016	Pires	D9/503
D757,553	S *	5/2016	Pires	D9/503
D758,865	S *	6/2016	Pires	D9/503
D773,315	S *	12/2016	Wahl	D9/734
2013/0153597	A1	6/2013	Hill	
2014/0021219	A1	1/2014	Honan et al.	
2014/0174963	A1	6/2014	Bechyne	
2014/0231445	A1	8/2014	Possell et al.	
2014/0305819	A1	10/2014	Hill et al.	
2014/0305957	A1	10/2014	Fulscher et al.	
2014/0305958	A1	10/2014	Hill et al.	

* cited by examiner

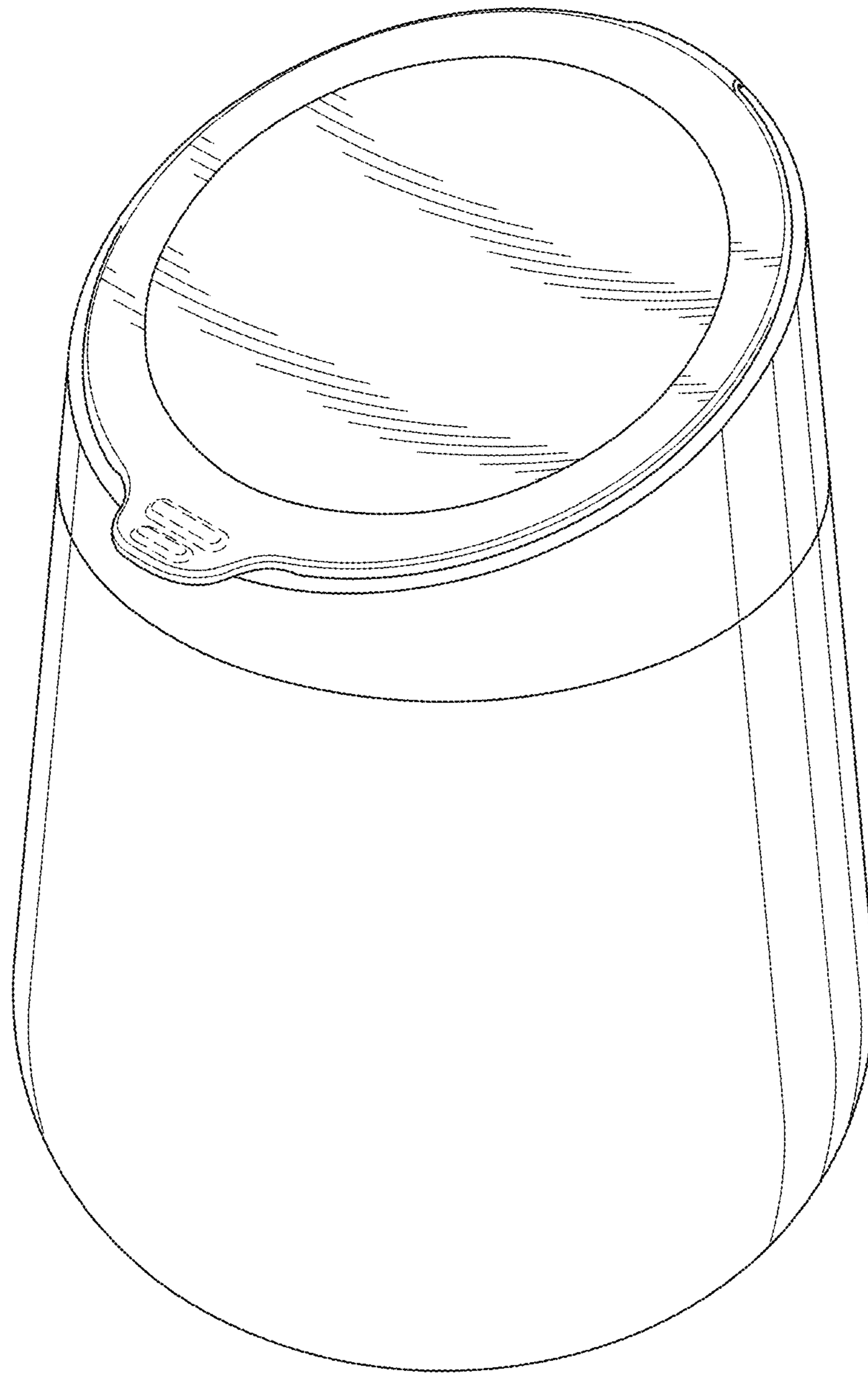


FIG. 1

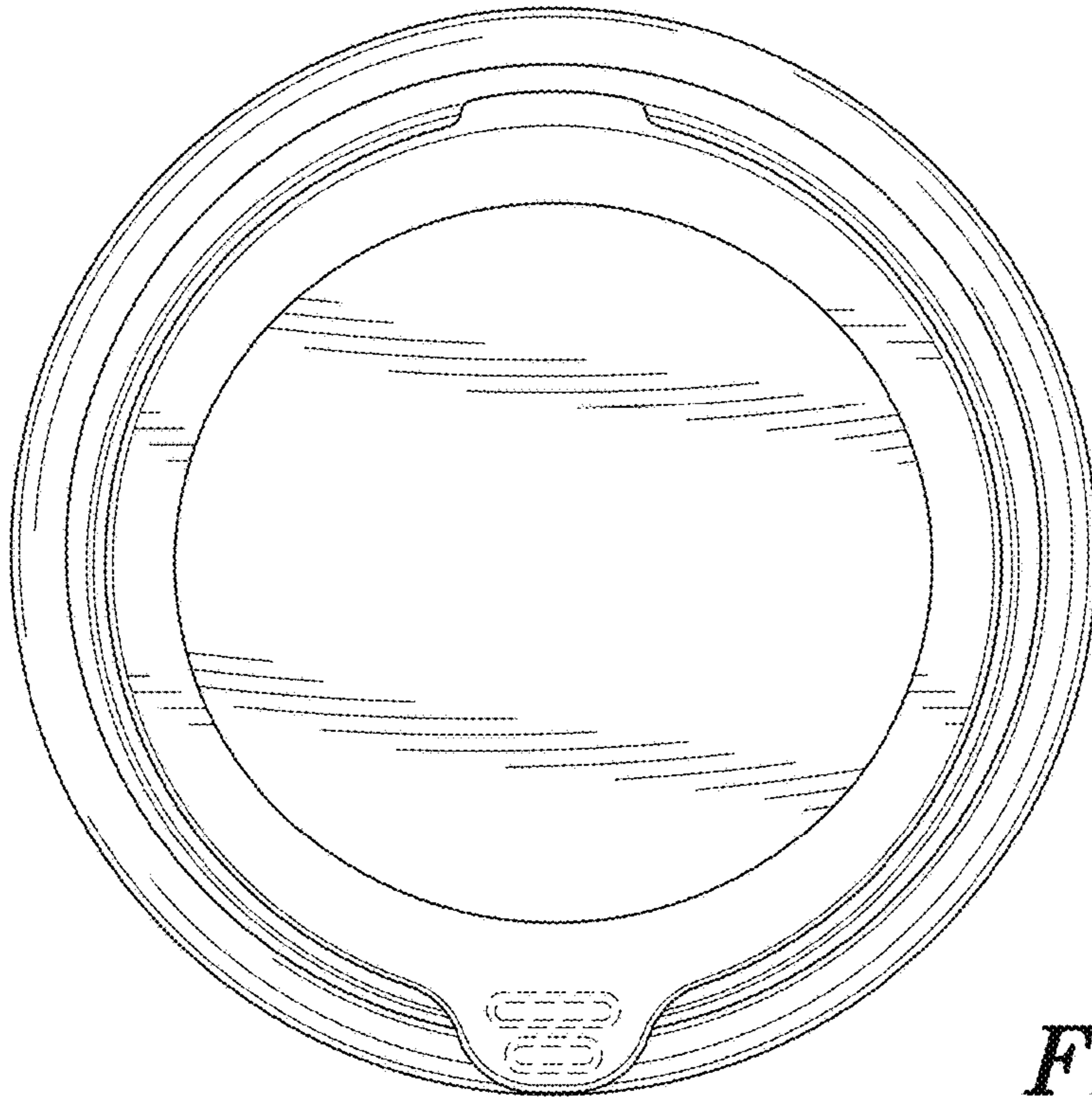


FIG. 2

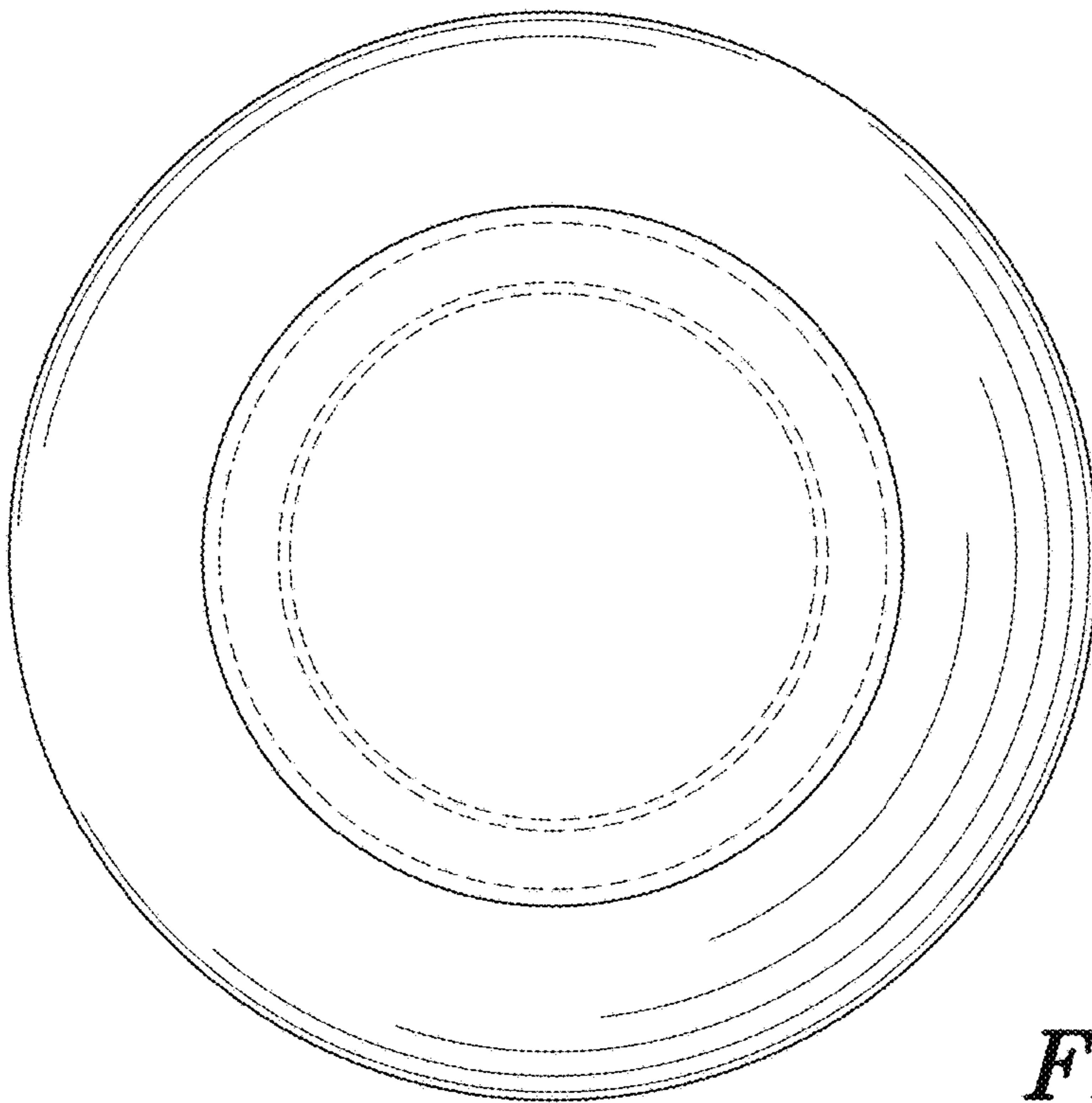


FIG. 3

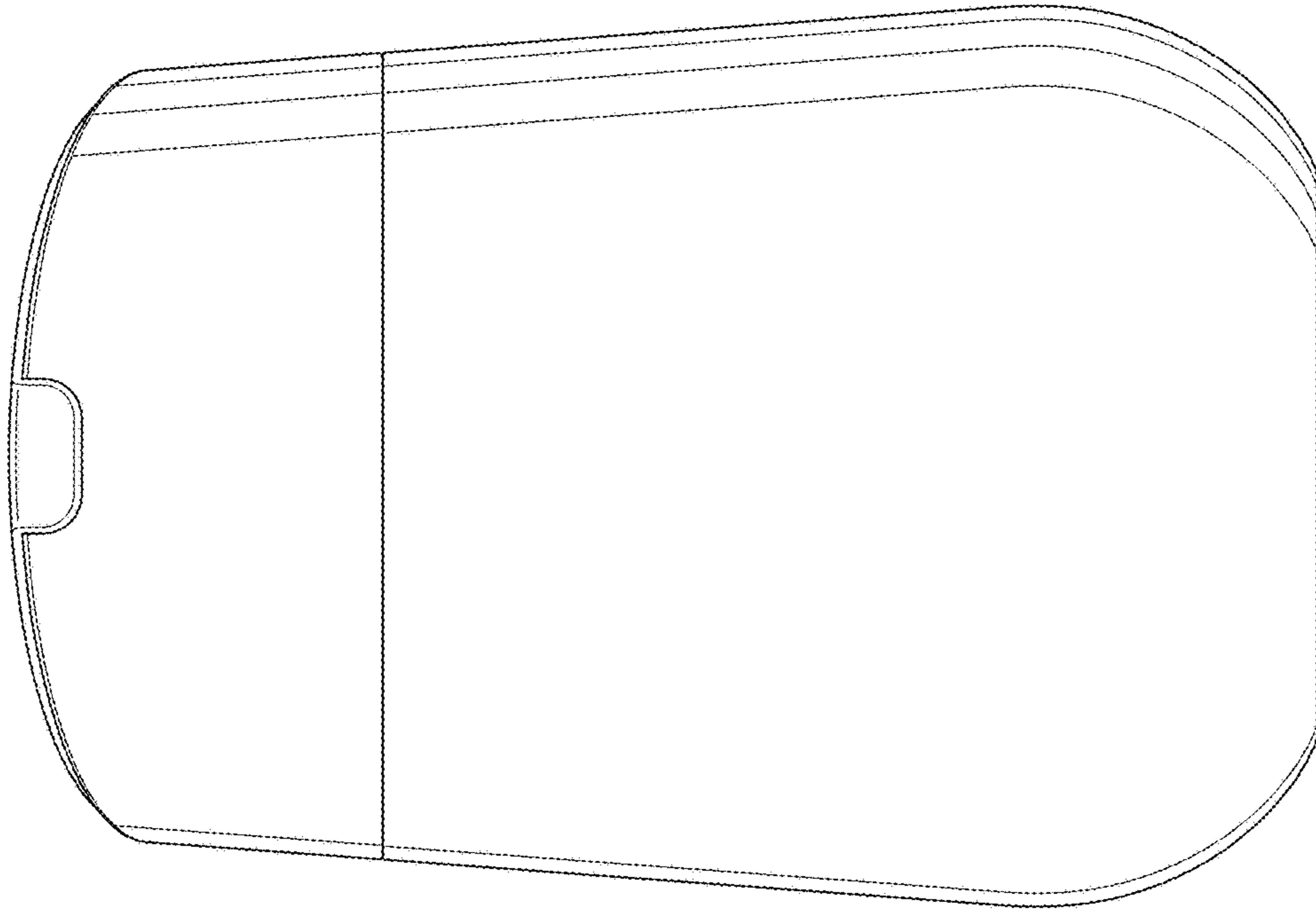


FIG. 4

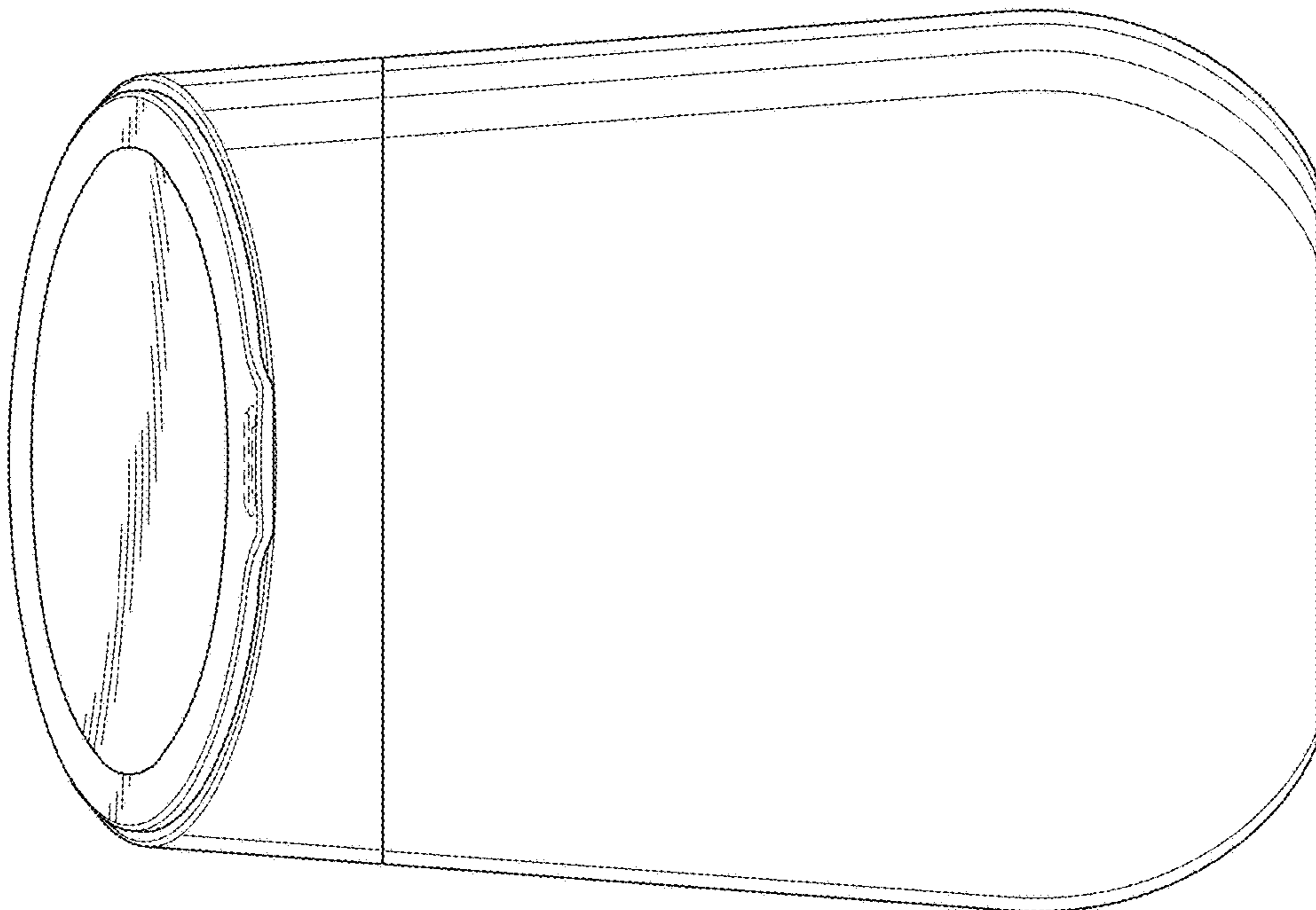


FIG. 5

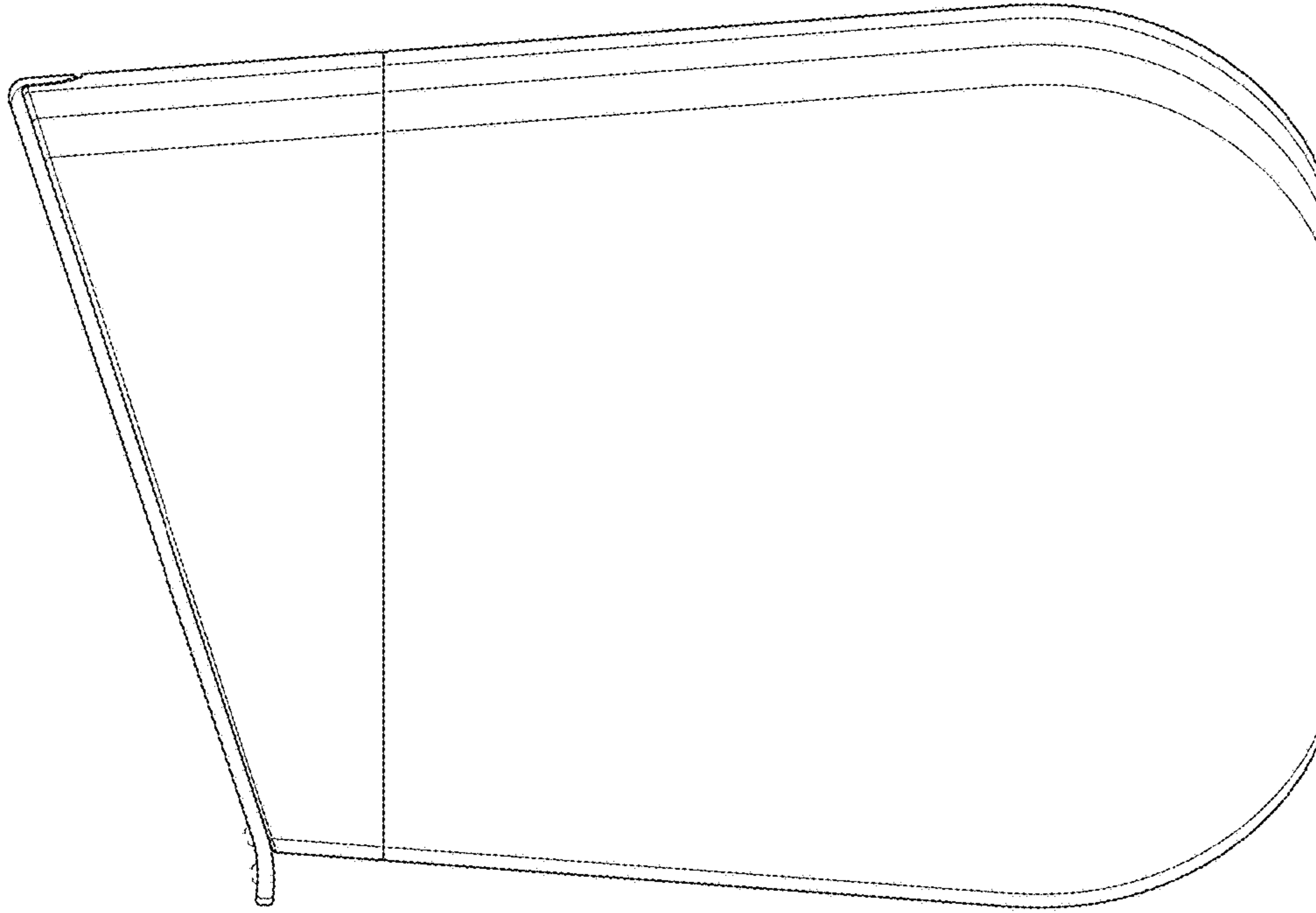


FIG. 7

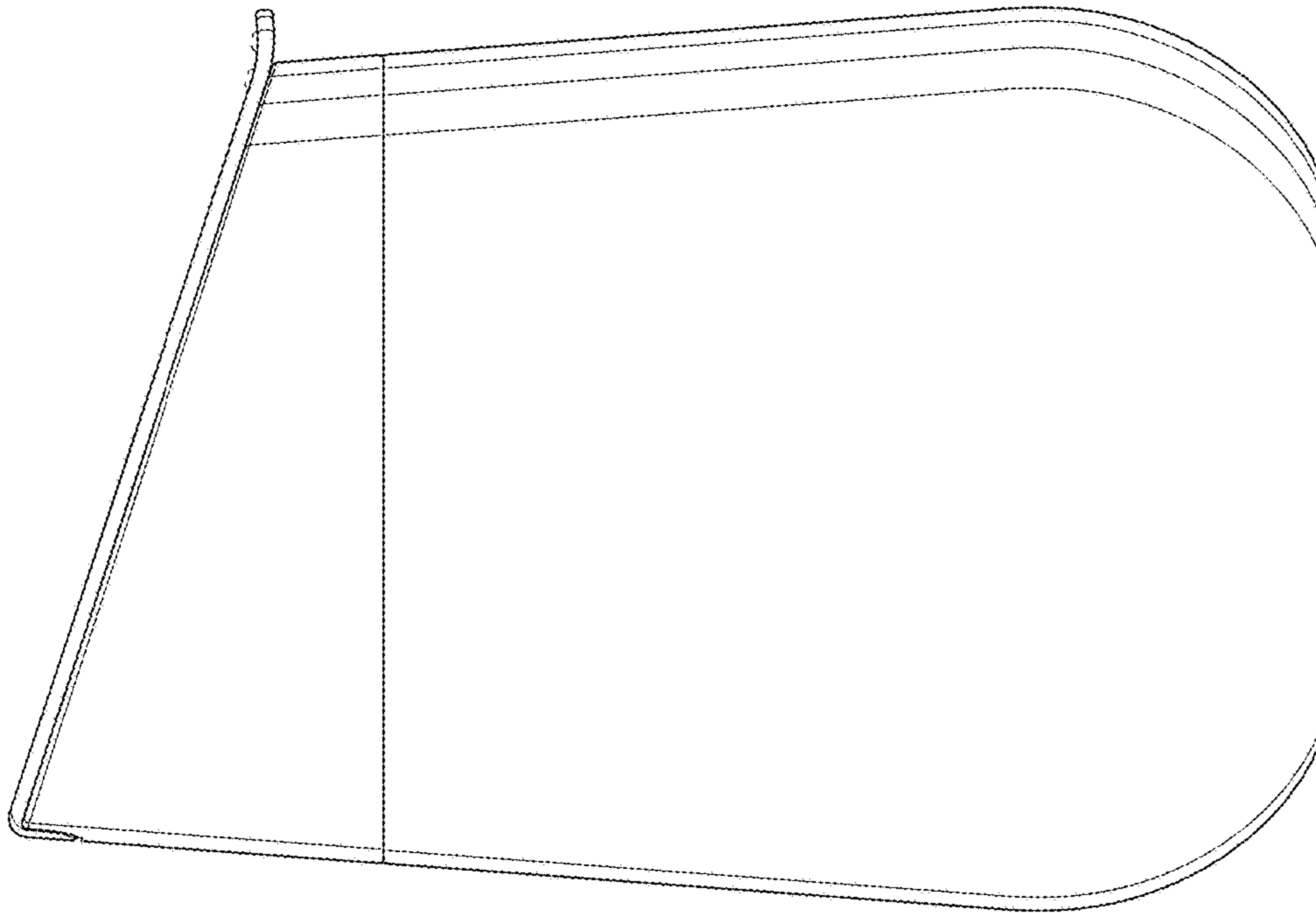


FIG. 6