



US00D815526S

(12) **United States Design Patent** (10) **Patent No.:** **US D815,526 S**
Yang et al. (45) **Date of Patent:** **** Apr. 17, 2018**

(54) **PACKAGE**
(71) Applicant: **3M INNOVATIVE PROPERTIES COMPANY**, St. Paul, MN (US)

CN 302894178 7/2014
CN 303157681 4/2015
CN 204654853 9/2015
CN 303464560 11/2015

(Continued)

(72) Inventors: **Yinghua Yang**, Shanghai (CN); **Ran Tao**, Shanghai (CN)

OTHER PUBLICATIONS

(73) Assignee: **3M INNOVATIVE PROPERTIES COMPANY**, St. Paul, MN (US)

Everything's fine . . . Etsy.Card for Wine. Jan. 21, 2017. https://www.etsy.com/listing/493235190/everythings-fine-after-a-glass-of-wine?utm_campaign=shopping_us_WineCardCo_sfc_osa&utm_medium=cpc&utm_source=google&utm_custom1=0&utm_content=14452937&gclid=CjsKDwjw0cXIBRCxjqnE3K3sHhIkAL1LezRH7ok2Z312iAMH49NByiENTWXMafJQV7ROUHENHfRgGgLA9fD_BwE.*

(Continued)

(**) Term: **15 Years**

(21) Appl. No.: **29/572,742**

(22) Filed: **Jul. 29, 2016**

(51) **LOC (11) Cl.** **09-07**

(52) **U.S. Cl.**
USPC **D9/457**

(58) **Field of Classification Search**
USPC D5/45, 56, 59, 60, 62, 63; D7/537;
D9/414-416, 418, 425, 428, 432-434,
D9/457, 499; D14/489, 490, 492, 494,
D14/495; D20/27, 42
CPC B65D 2203/00; B65D 2203/02; B65D
5/4233; G09F 2003/0272; G09F
2003/0273

See application file for complete search history.

Primary Examiner — Robert M. Spear

Assistant Examiner — Darcey E Hefflin

(74) *Attorney, Agent, or Firm* — Irina Hass

(57) **CLAIM**

The ornamental design for a package, as shown and described.

DESCRIPTION

FIG. 1 is a perspective view showing the new design for a package;

FIG. 2 is a front view thereof;

FIG. 3 is a rear view thereof;

FIG. 4 is a left side view thereof, a right side view being a mirror image thereof;

FIG. 5 is a top view thereof, a bottom view being a mirror image thereof;

FIG. 6 is a front view thereof showing the package with a sponge; and,

FIG. 7 is a side view thereof showing the package with a sponge.

The portions of the package in FIGS. 1-7 shown in broken lines are included to show features that form no part of the claimed design.

(56) **References Cited**

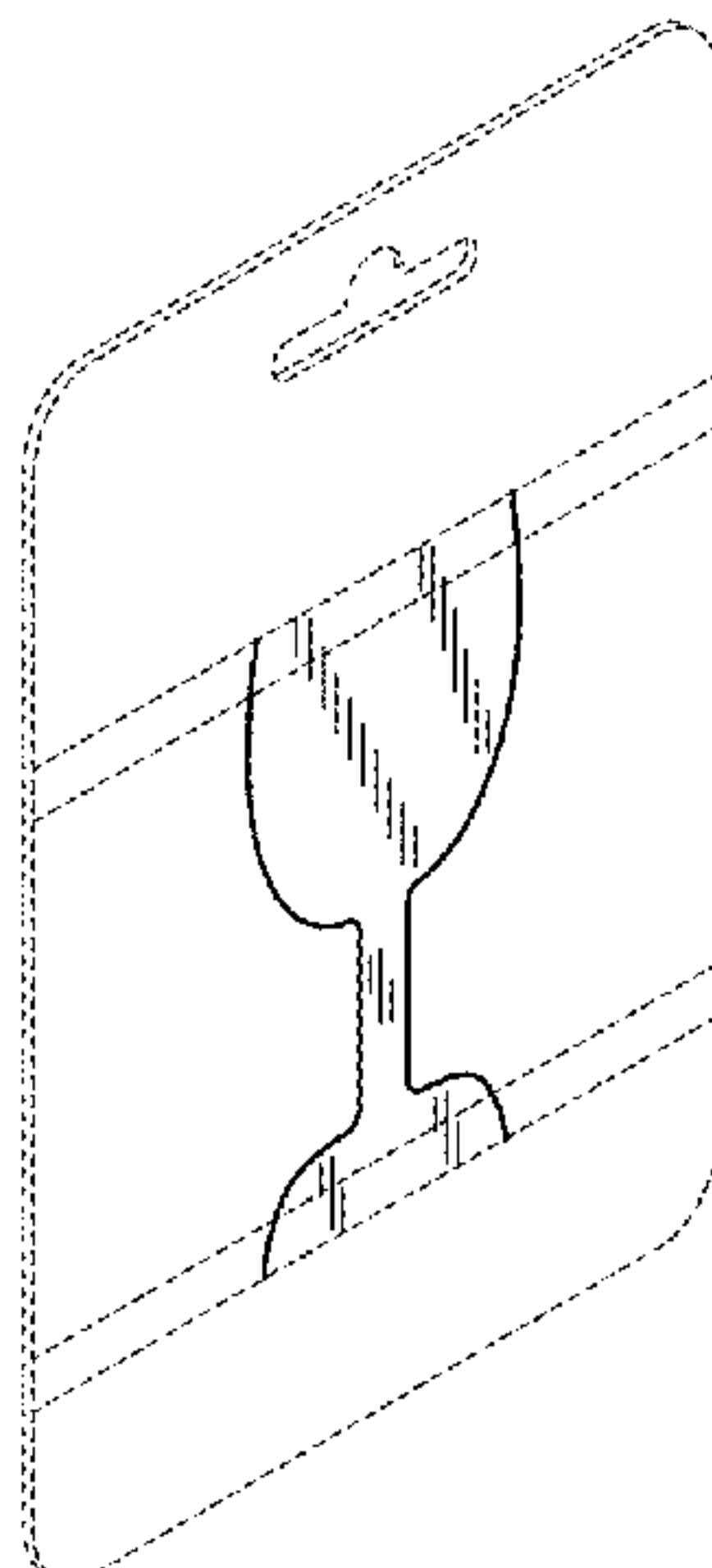
U.S. PATENT DOCUMENTS

D317,101 S * 5/1991 Wenzl D7/527
D610,920 S * 3/2010 Bogdanova D9/434
D655,985 S * 3/2012 Roberts D7/524
D662,779 S * 7/2012 Dail D7/524
D733,500 S * 7/2015 Yasui D7/537
D776,981 S * 1/2017 Eberhard D7/300.2
D781,108 S * 3/2017 Pang D7/524

FOREIGN PATENT DOCUMENTS

CN 201049797 4/2008
CN 301935345 5/2012
CN 203341613 12/2013
CN 302894175 7/2014

1 Claim, 2 Drawing Sheets



(56)

References Cited

FOREIGN PATENT DOCUMENTS

TW	340018	9/1998
TW	114649	12/2006

OTHER PUBLICATIONS

Coroflot. Portfolio by Predrag Matovic. Jul. 16, 2006 [earliest online date], [site visited May 12, 2017]. Available from Internet, <URL:<http://www.coroflot.com/predrag2/portfolio1>>.*

* cited by examiner

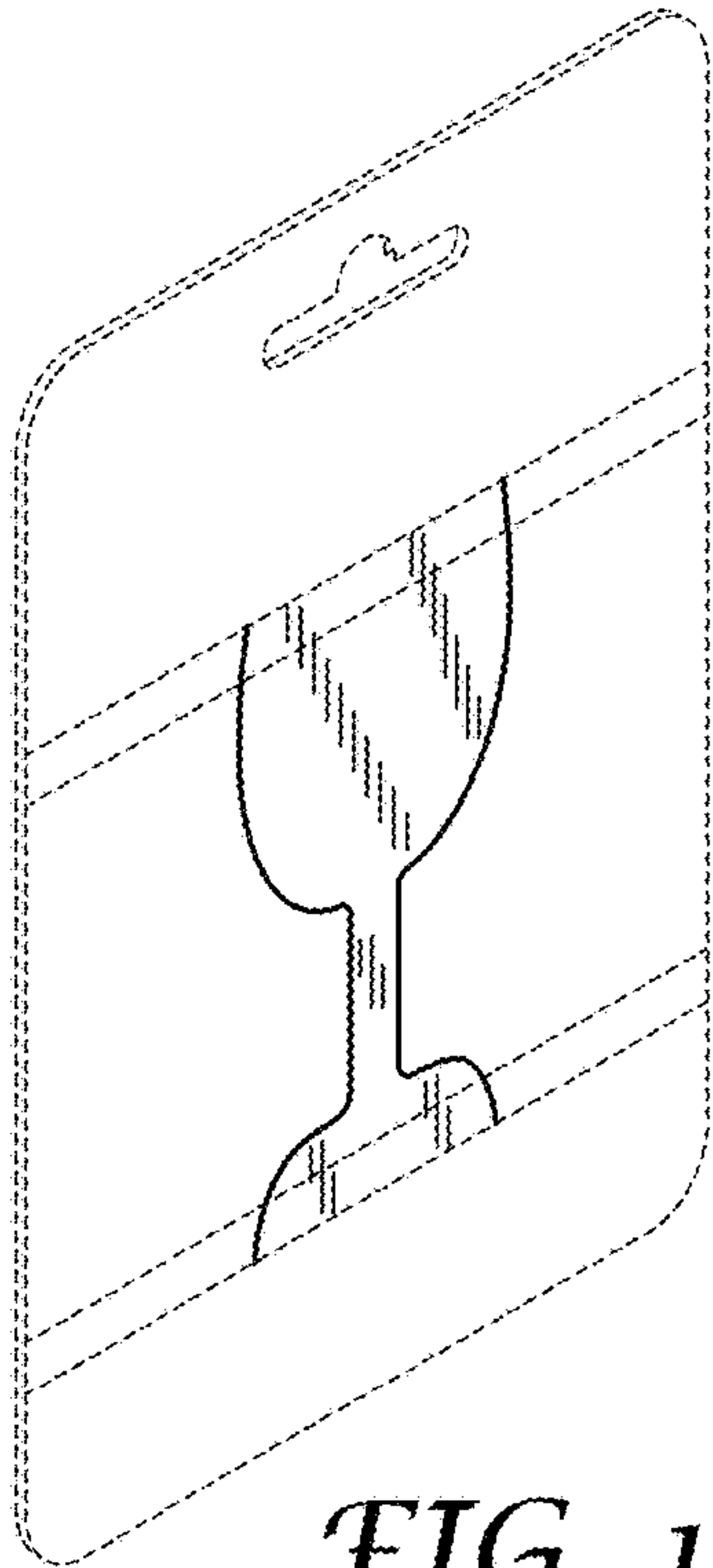


FIG. 1

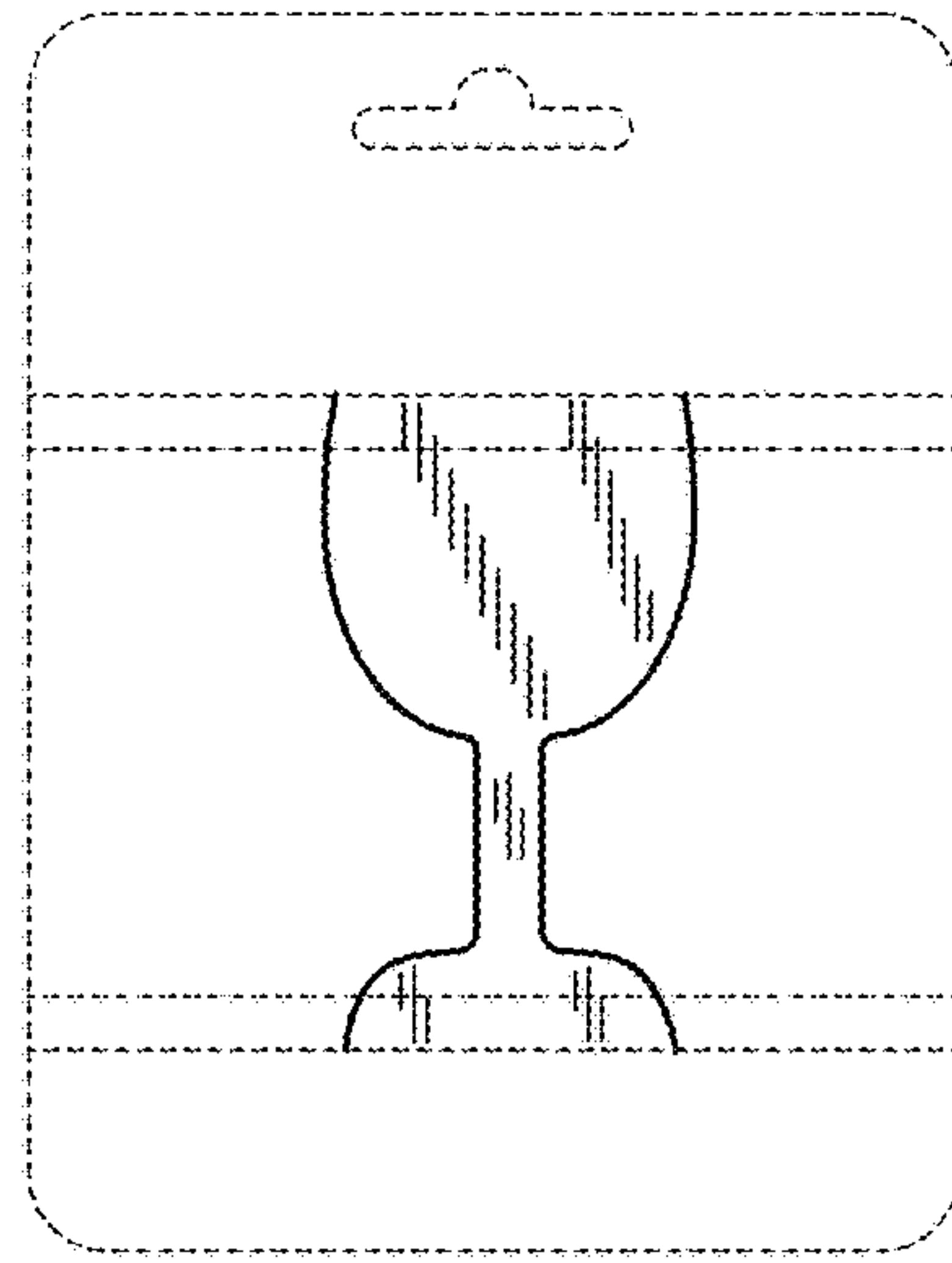


FIG. 2

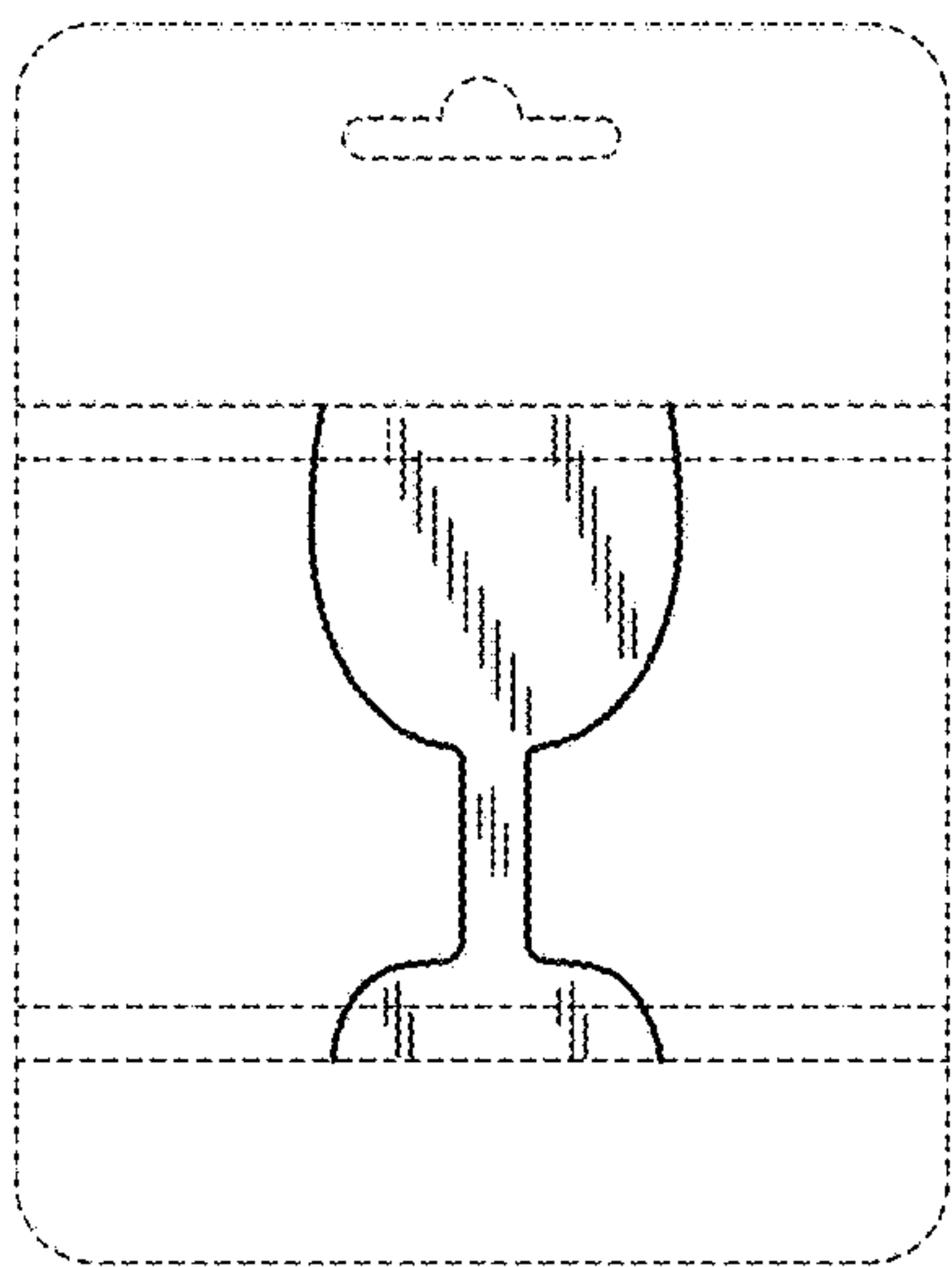


FIG. 3

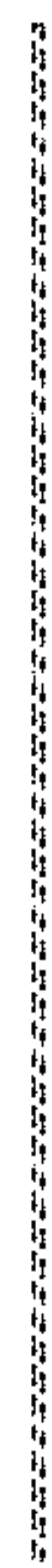


FIG. 4

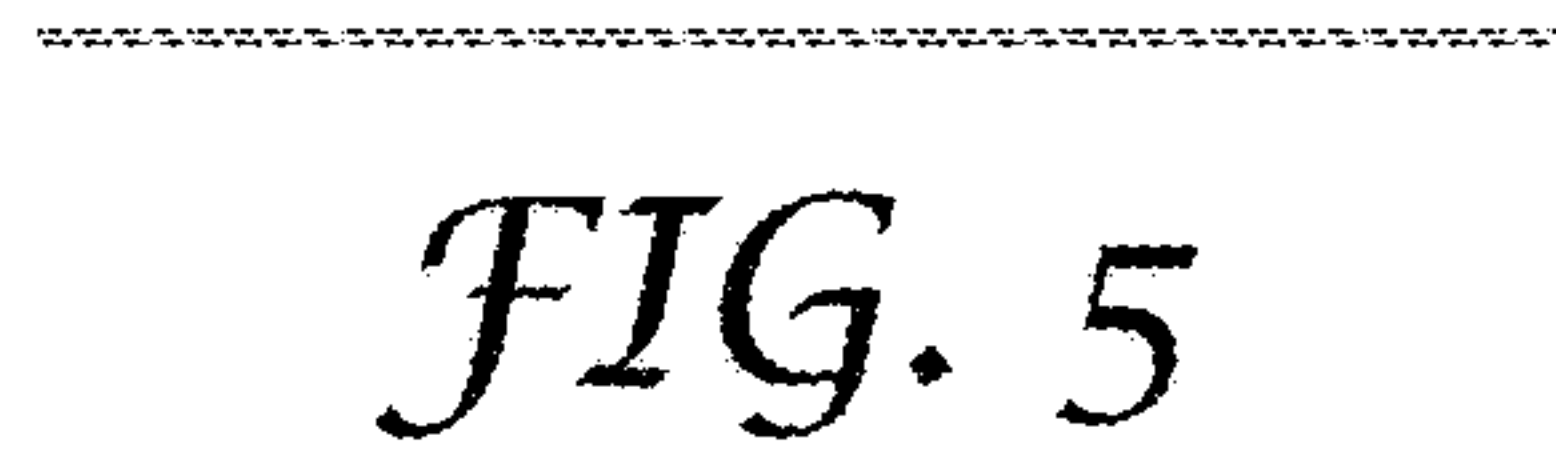


FIG. 5

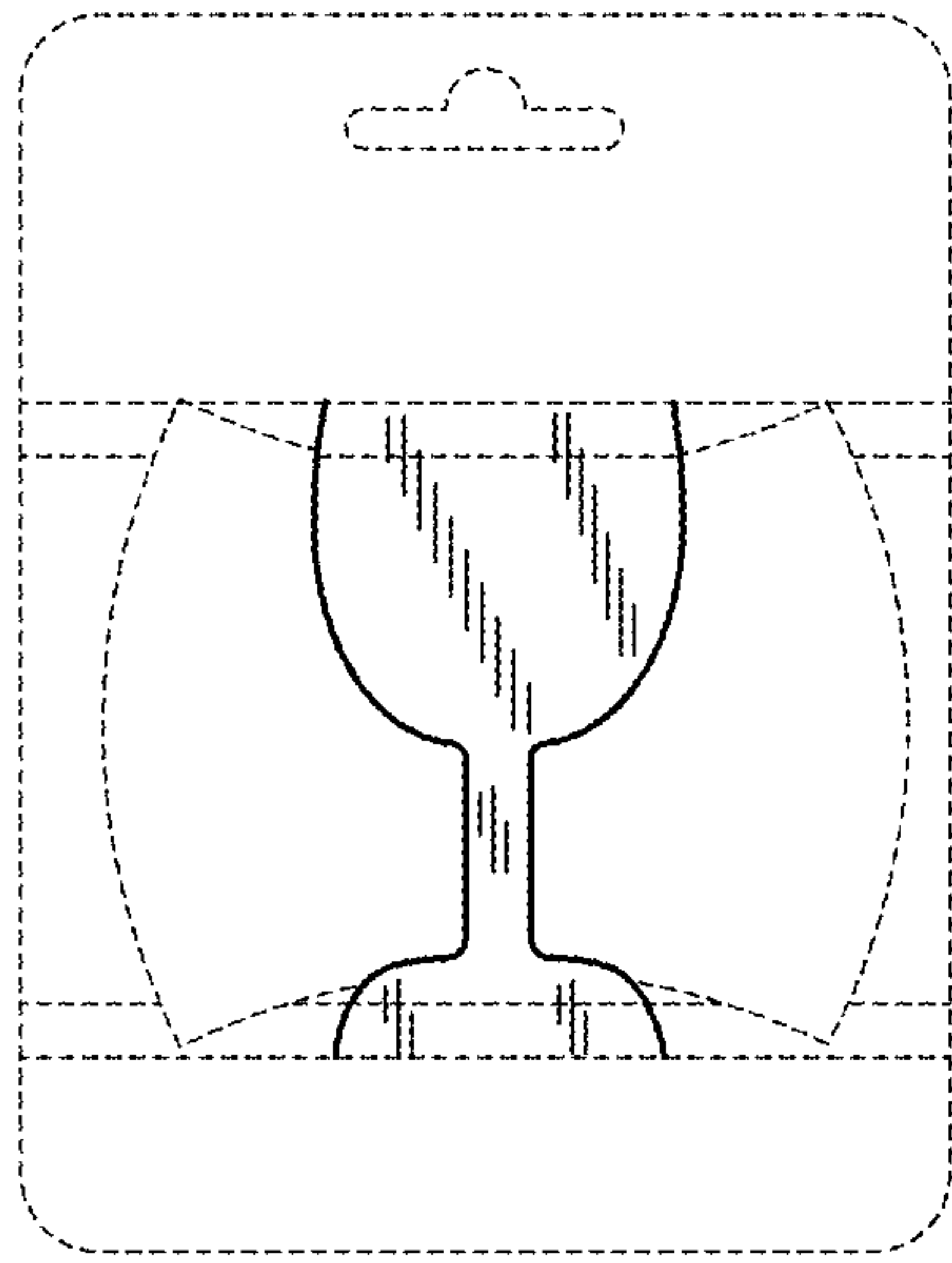


FIG. 6



FIG. 7