



US00D815525S

(12) **United States Design Patent** (10) **Patent No.:** **US D815,525 S**  
**Yang et al.** (45) **Date of Patent:** **\*\* Apr. 17, 2018**

(54) **PACKAGE**

FOREIGN PATENT DOCUMENTS

(71) Applicant: **3M INNOVATIVE PROPERTIES COMPANY**, St. Paul, MN (US)

CN 201049797 4/2008  
CN 301935345 5/2012  
CN 203341613 12/2013  
CN 302894175 7/2014

(Continued)

(72) Inventors: **Yinghua Yang**, Shanghai (CN); **Ran Tao**, Shanghai (CN)

OTHER PUBLICATIONS

(73) Assignee: **3M INNOVATIVE PROPERTIES COMPANY**, St. Paul, MN (US)

Everything's Fine . . . Etsy.Card for Wine. Jan. 21, 2017. [https://www.etsy.com/listing/493235190/everythings-fine-after-a-glass-of-wine?utm\\_us\\_campaign=shopping\\_us\\_WineCardCo\\_sfc\\_osa&utm\\_medium=cpc&utm\\_source=google&utm\\_custom1=0&utm\\_content=14452937&gclid=CjsKDwjw0cXIBRCxjqnE3K3sHhIkAL1LezRH7ok2Z312iAMH49NByiENIWXMaFJQV7ROUhENHfRgGgLA9fD\\_BwE.\\*](https://www.etsy.com/listing/493235190/everythings-fine-after-a-glass-of-wine?utm_us_campaign=shopping_us_WineCardCo_sfc_osa&utm_medium=cpc&utm_source=google&utm_custom1=0&utm_content=14452937&gclid=CjsKDwjw0cXIBRCxjqnE3K3sHhIkAL1LezRH7ok2Z312iAMH49NByiENIWXMaFJQV7ROUhENHfRgGgLA9fD_BwE.*)

(Continued)

(\*\*) Term: **15 Years**

(21) Appl. No.: **29/572,715**

(22) Filed: **Jul. 29, 2016**

(51) **LOC (11) Cl.** ..... **09-07**

(52) **U.S. Cl.**  
USPC ..... **D9/457**

(58) **Field of Classification Search**  
USPC ..... D5/45, 56, 59, 60, 62, 63; D7/537;  
D9/414-416, 418, 425, 428, 432-434,  
D9/457, 499; D14/489, 490, 492, 494,  
D14/495; D20/27, 42  
CPC ..... B65D 2203/00; B65D 2203/02; B65D  
5/4233; G09F 2003/0272; G09F  
2003/0273

See application file for complete search history.

*Primary Examiner* — Robert M. Spear

*Assistant Examiner* — Darcey E Heflin

(74) *Attorney, Agent, or Firm* — Irina Hass

(57) **CLAIM**

The ornamental design for a package, as shown and described.

**DESCRIPTION**

(56) **References Cited**

U.S. PATENT DOCUMENTS

D136,625 S \* 11/1943 Richards ..... D7/537  
D229,151 S \* 11/1973 McTear ..... D7/537  
D563,724 S \* 3/2008 Bodum ..... D7/509  
D610,920 S \* 3/2010 Bogdanova ..... D9/434  
D624,276 S \* 9/2010 Green ..... D1/106  
D662,414 S \* 6/2012 Graham ..... D9/434  
D730,179 S \* 5/2015 Bischoff ..... D9/434  
D738,514 S \* 9/2015 Tagami ..... D24/189  
D761,859 S \* 7/2016 Kim ..... D14/492  
D772,069 S \* 11/2016 Sanfilippo ..... D9/499  
D773,300 S \* 12/2016 Uribe ..... D9/499

FIG. 1 is a perspective view showing the new design for a package;

FIG. 2 is a front view thereof;

FIG. 3 is a rear view thereof;

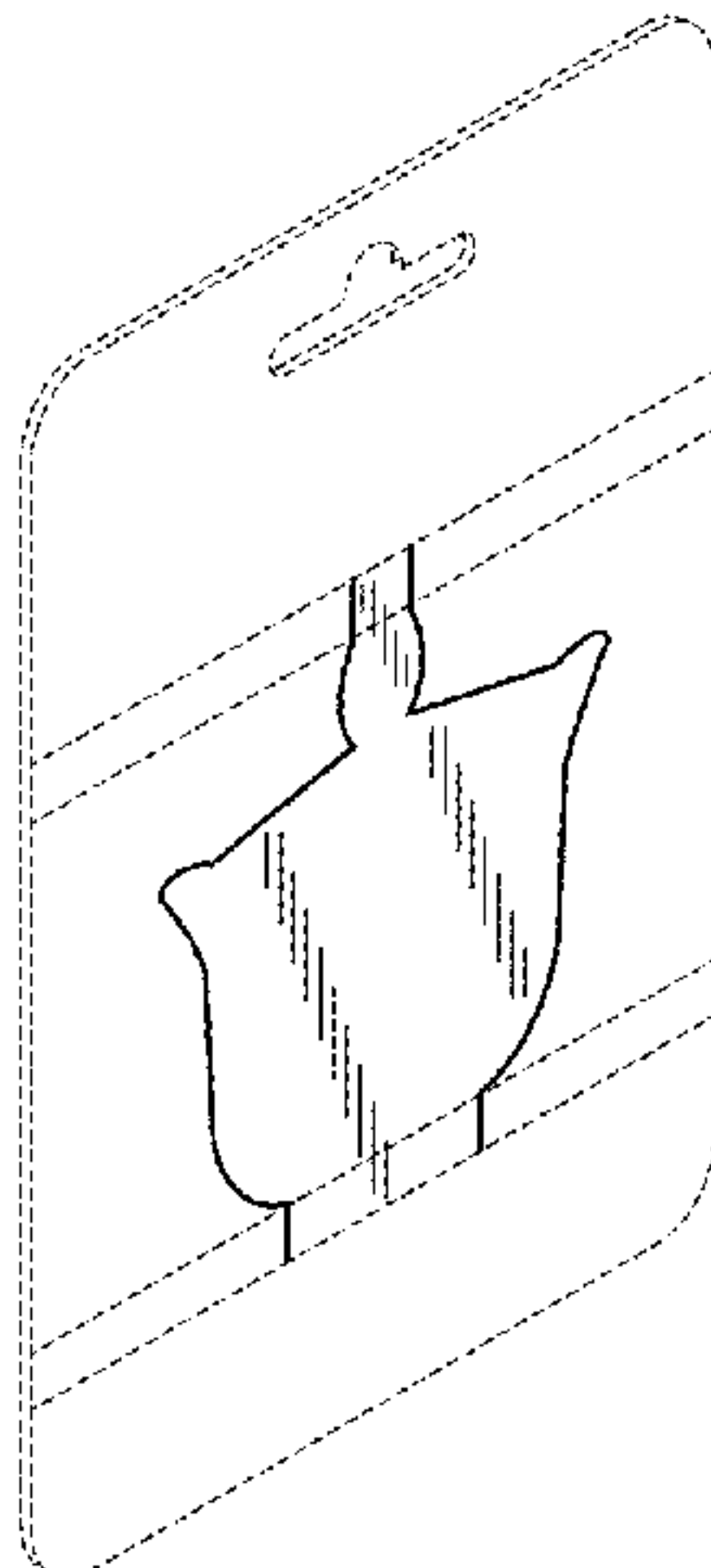
FIG. 4 is a left side view thereof, a right side view being a mirror image thereof;

FIG. 5 is a top view thereof, a bottom view being a mirror image thereof;

FIG. 6 is a front view thereof showing the package with a sponge; and,

FIG. 7 is a side view thereof showing the package with a sponge.

(Continued)



The portions of the package in FIGS. 1-7 shown in broken lines are included to show features that form no part of the claimed design.

**1 Claim, 2 Drawing Sheets**

(56)

**References Cited**

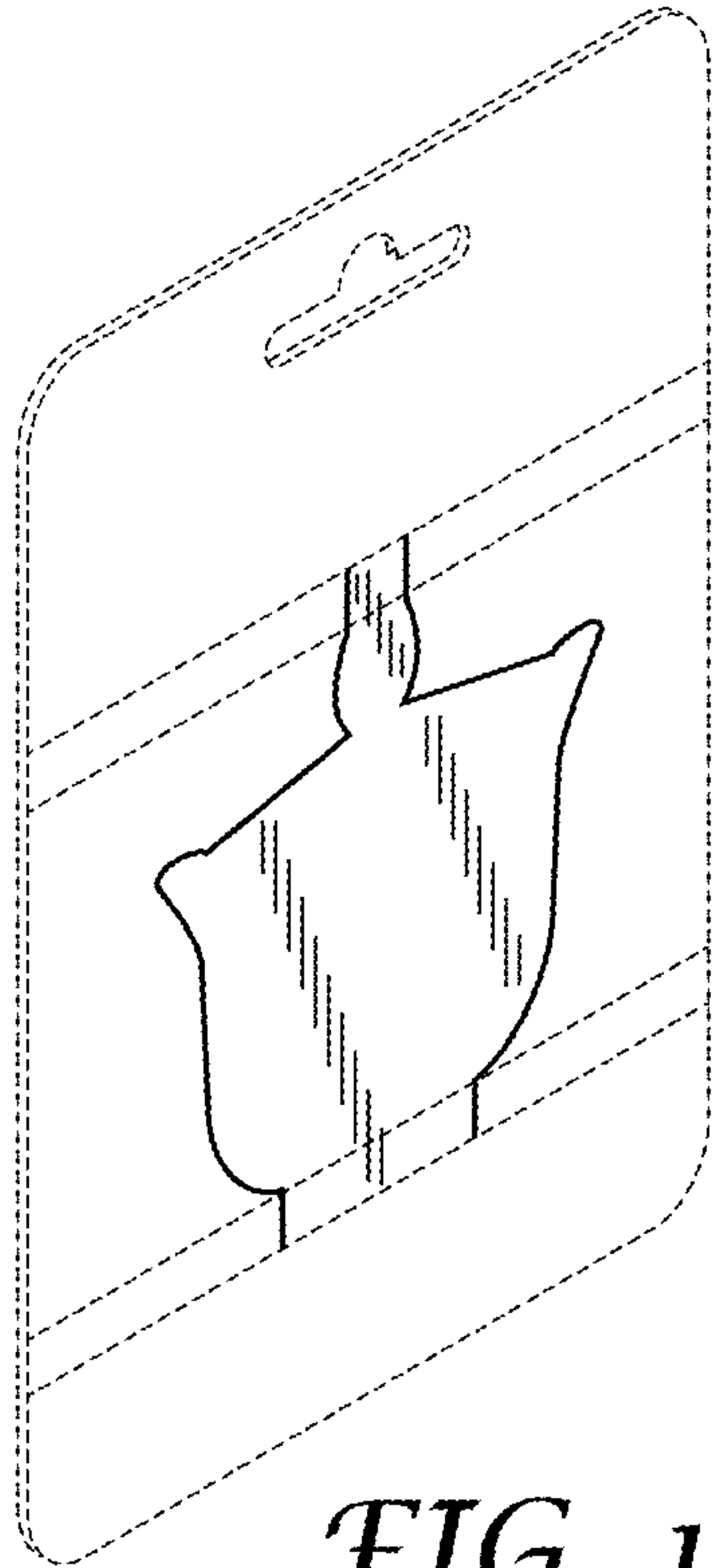
FOREIGN PATENT DOCUMENTS

CN	302894178	7/2014
CN	303157681	4/2015
CN	204654853	9/2015
CN	303464560	11/2015
TW	340018	9/1998
TW	D114649	12/2006

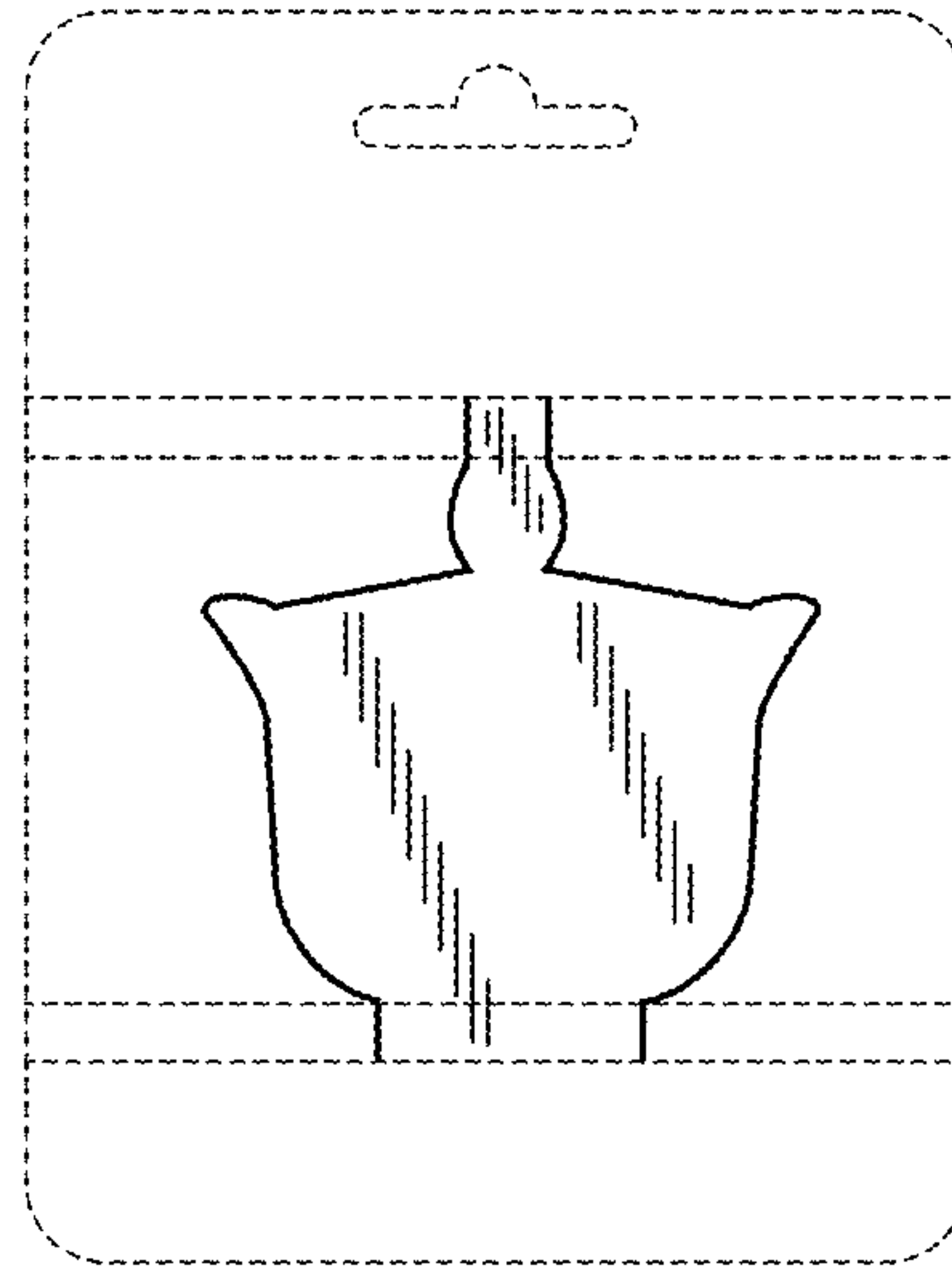
OTHER PUBLICATIONS

Coroflot. Portfolio by Predrag Matovic. Jul. 16, 2006 [earliest online date], [site visited May 12, 2017]. Available from internet, <URL:<http://www.coroflot.com/predrag2/portfolio1>>.\*

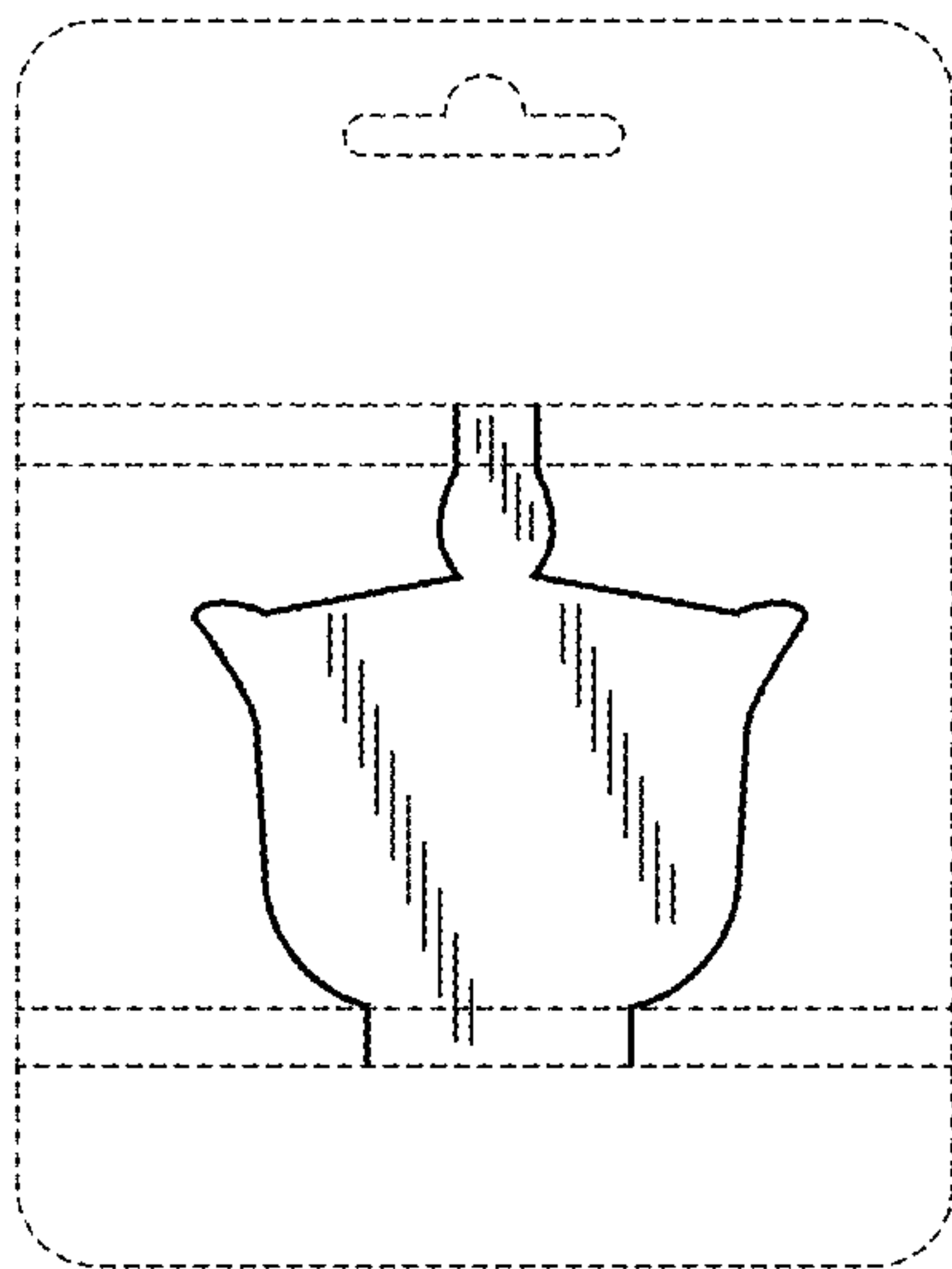
\* cited by examiner



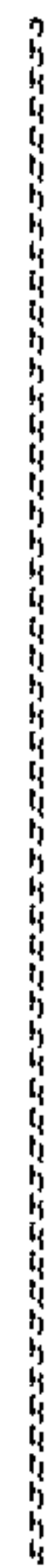
*FIG. 1*



*FIG. 2*



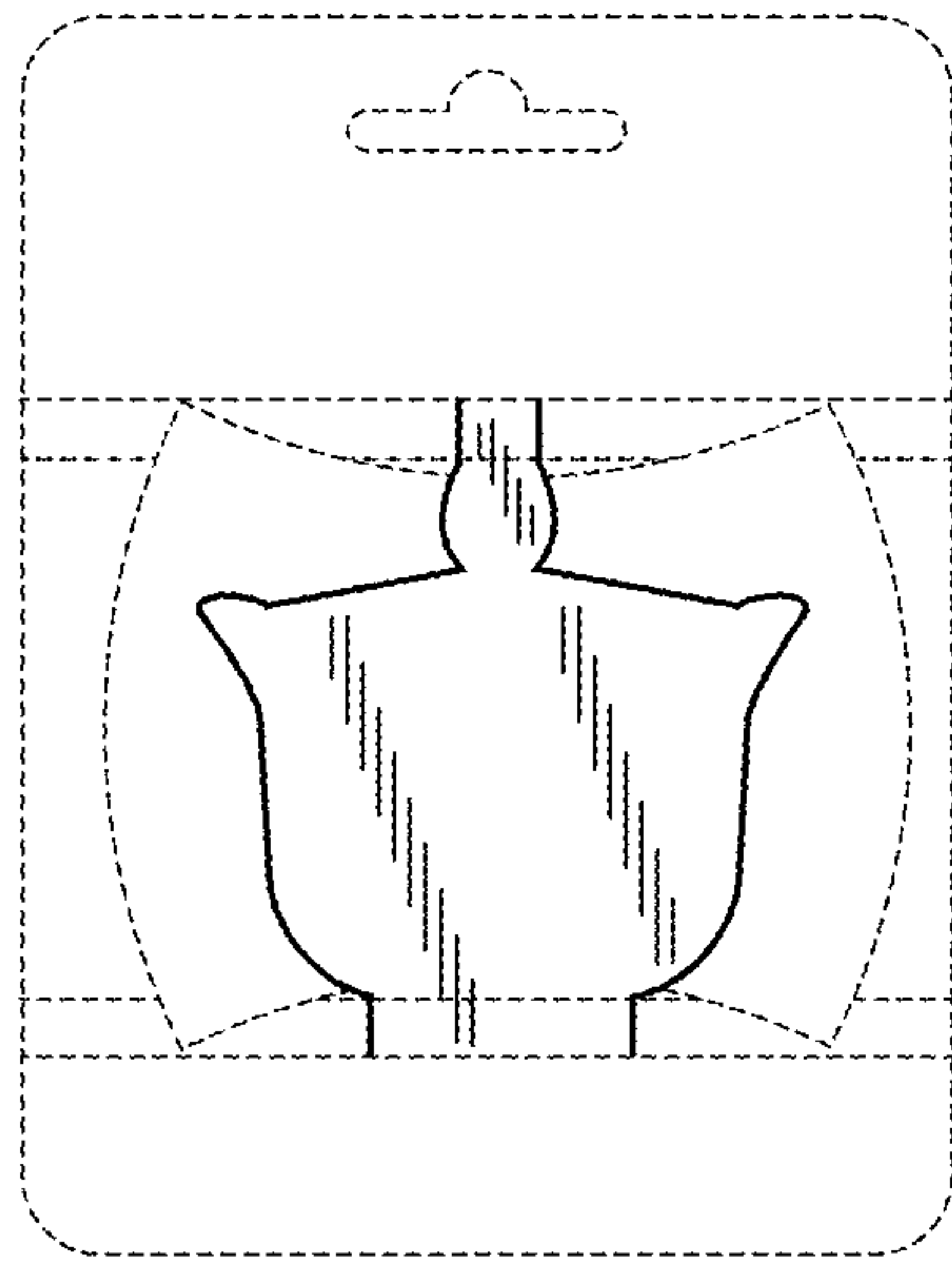
*FIG. 3*



*FIG. 4*



*FIG. 5*



*FIG. 6*



*FIG. 7*