



US00D815523S

(12) **United States Design Patent**
Sanfilippo et al.

(10) **Patent No.:** **US D815,523 S**
(45) **Date of Patent:** **** Apr. 17, 2018**

- (54) **PACKAGE**
- (71) Applicant: **PRIMAPAK, LLC**, Elgin, IL (US)
- (72) Inventors: **James J. Sanfilippo**, Barrington Hills, IL (US); **Milorad Radenovic**, Chicago, IL (US)
- (73) Assignee: **PRIMAPAK, LLC**, Elgin, IL (US)
- (**) Term: **14 Years**
- (21) Appl. No.: **29/522,243**
- (22) Filed: **Mar. 27, 2015**
- (51) **LOC (11) Cl.** **09-07**
- (52) **U.S. Cl.**
USPC **D9/435; D9/432**
- (58) **Field of Classification Search**
USPC D9/414-433, 435, 438, 499, 501, 529,
D9/711, 715, 734, 770, 777, 782, 783;
D7/601, 602, 607, 609, 615, 629;
D11/143, 145, 155
CPC B65D 5/70
See application file for complete search history.

D398,844 S 9/1998 Oberloier
6,026,953 A * 2/2000 Nakamura B65D 75/5838
206/233
D431,464 S 10/2000 Collins et al.
(Continued)

OTHER PUBLICATIONS

“Resealable Packaging Labels.” Found online Dec. 13, 2016 at www.labelimpressions.com. Page dated Jul. 1, 2014. Retrieved from <URL:<https://web.archive.org/web/20140701013653/http://www.labelimpressions.com/resealable-package-labels.php>>.*
(Continued)

Primary Examiner — Caron D Veynar
Assistant Examiner — Katelin G Kloberg
(74) *Attorney, Agent, or Firm* — Marshall, Gerstein & Borun LLP

(57) **CLAIM**

The ornamental design for a package, as shown and described.

DESCRIPTION

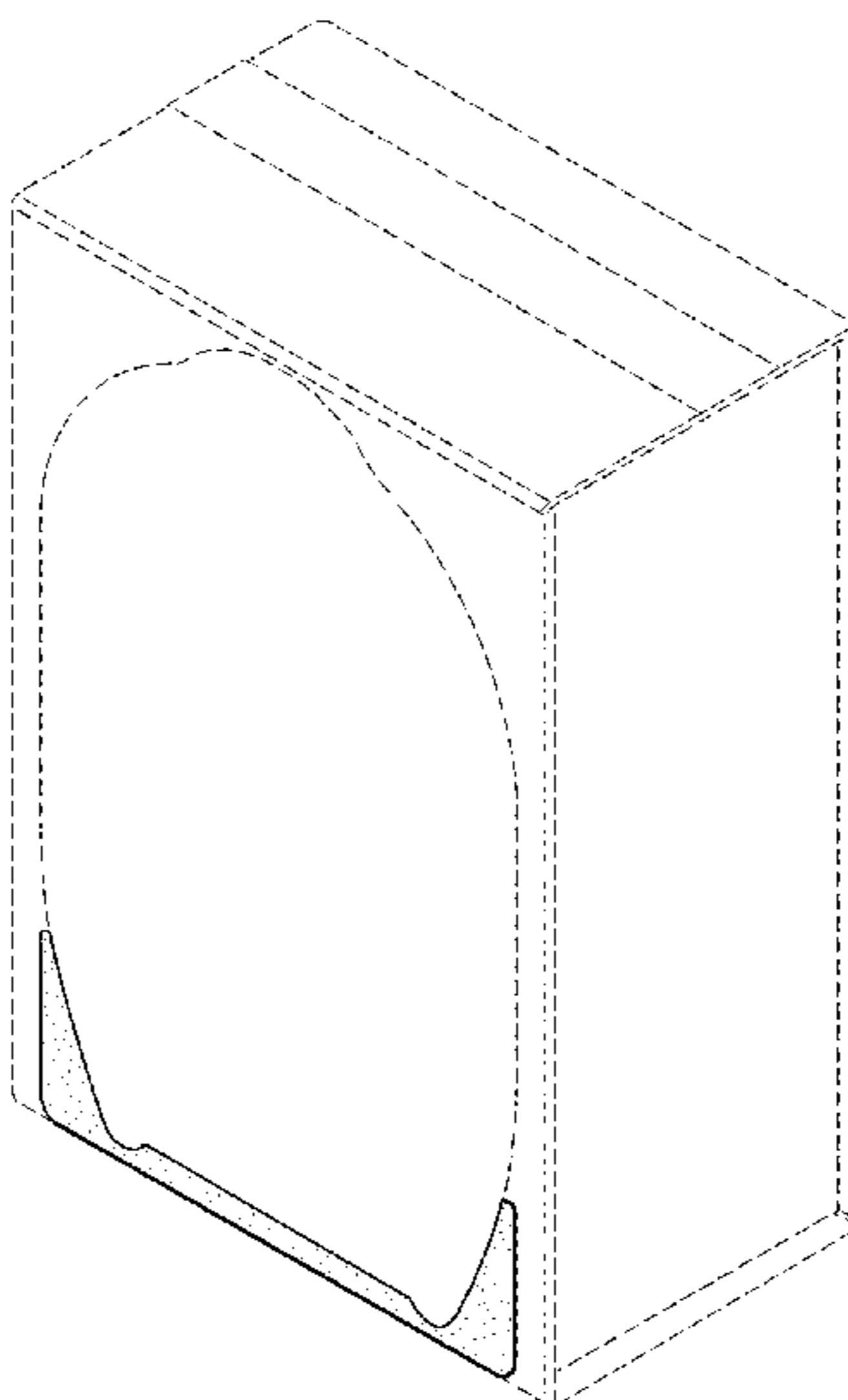
FIG. 1 is a front, right-side, and top view of a package showing the new design.
FIG. 2 is a front, right-side, and top view of the package, shown in an open configuration.
FIG. 3 is a front elevation view of the package.
FIG. 4 is a right-side elevation view of the package.
FIG. 5 is a left-side elevation view of the package.
FIG. 6 is a top plan view of the package.
FIG. 7 is a bottom plan view of the package.
FIG. 8 is a front, left-side, and bottom view of the package; and,
FIG. 9 is a front, right-side, and bottom view of the package. The broken lines represent portions of the package that form no part of the claimed design. The stippled shading identifies the claimed design and is not a claimed surface pattern.

(56) **References Cited**

U.S. PATENT DOCUMENTS

- 2,719,663 A * 10/1955 Meyer-Jagenberg .. B65D 5/708
229/123.3
- D285,777 S 9/1986 Forbes, Jr.
- 4,616,470 A * 10/1986 Nakamura B65B 61/184
53/412
- D286,745 S * 11/1986 Forbes, Jr. D9/416
- 4,848,575 A * 7/1989 Nakamura B65D 83/0805
206/449
- 5,366,104 A 11/1994 Armstrong
- 5,647,506 A * 7/1997 Julius A47K 10/421
206/449
- 5,791,465 A * 8/1998 Niki B65D 75/5894
206/210

1 Claim, 8 Drawing Sheets



(56)

References Cited

U.S. PATENT DOCUMENTS

D502,095 S 2/2005 Tucker et al.
 6,918,532 B2 * 7/2005 Sierra-Gomez B65D 75/5838
 206/459.1
 D536,608 S 2/2007 Arkins
 D558,046 S * 12/2007 Okin D9/423
 D637,577 S 5/2011 Han et al.
 D648,302 S 11/2011 Park et al.
 D667,733 S * 9/2012 Beihoffer D9/734
 8,308,363 B2 * 11/2012 Vogt B65D 75/5838
 220/258.3
 D676,014 S 2/2013 Chung
 D682,244 S 5/2013 Park et al.
 D686,181 S 7/2013 Jeong
 D689,767 S 9/2013 Clark et al.
 D715,643 S 10/2014 Sanfilippo et al.
 D725,467 S 3/2015 Sanfilippo et al.

D726,535 S 4/2015 Sanfilippo et al.
 D764,914 S * 8/2016 Sanfilippo D9/435
 2003/0085265 A1 * 5/2003 Haim B65D 5/701
 229/123.1

OTHER PUBLICATIONS

“Clear Lam Packaging.” Found online Dec. 13, 2016 at www.clearlam.com. Page dated Oct. 17, 2012. Retrieved from <URL:http://www.clearlam.com/news/article.aspx?articleId=26>.*
 “MAC Bulk Wipes.” Found online Dec. 13, 2016 at www.amazon.com. Page dated Nov. 28, 2011. Retrieved from <URL:https://www.amazon.com/Bulk-Wipes-Cleansing-Towelettes-Sheets/dp/B004J90ZMQ>.*
 “Neutrogena Makeup Remover Cleansing Towelettes.” Found online Dec. 13, 2016 at www.amazon.com. Page dated Feb. 26, 2013. Retrieved from <URL:https://www.amazon.com/Neutrogena-Makeup-Remover-Cleansing-Towelettes/dp/B0010XUU9M>.*

* cited by examiner

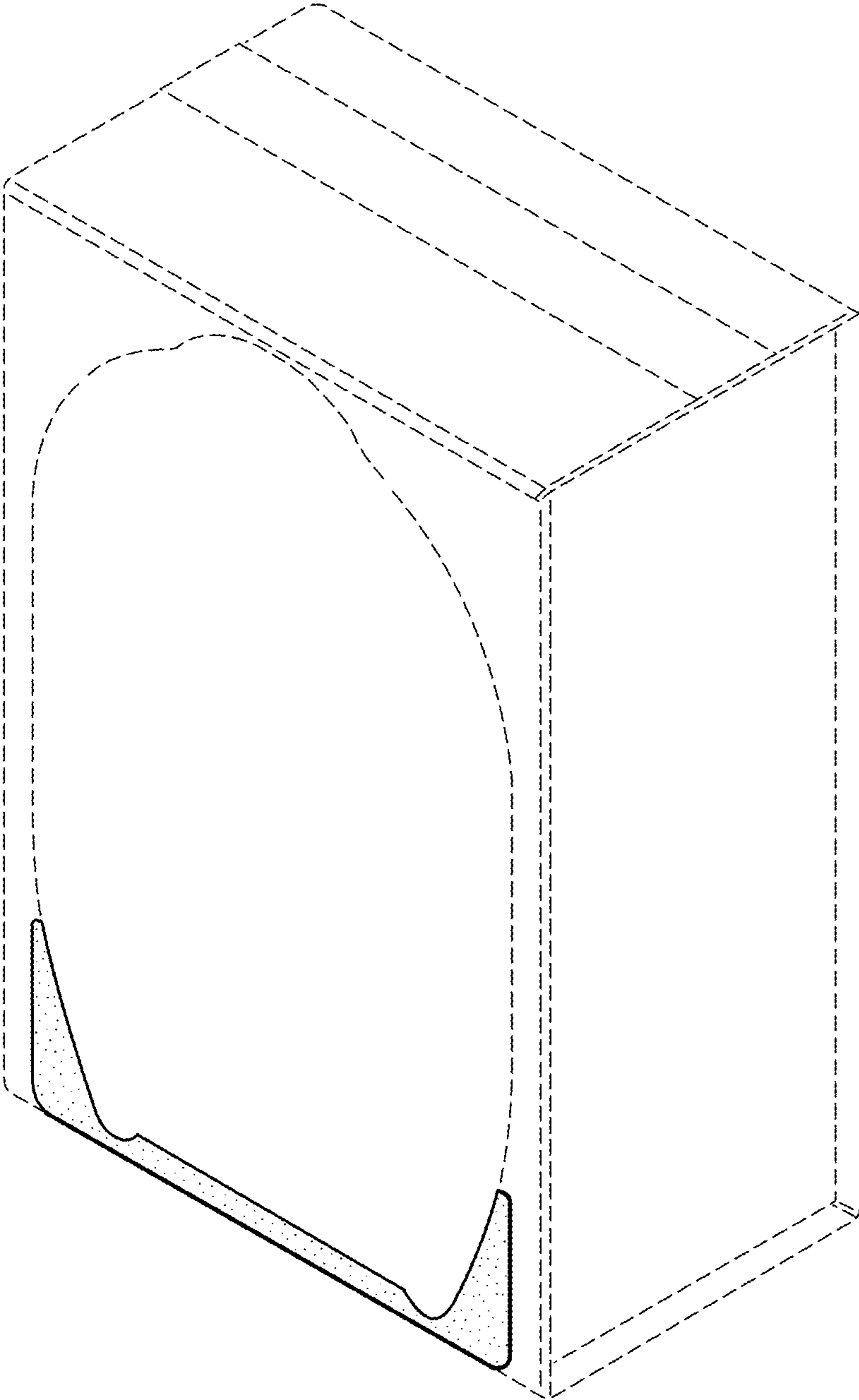


Fig. 1

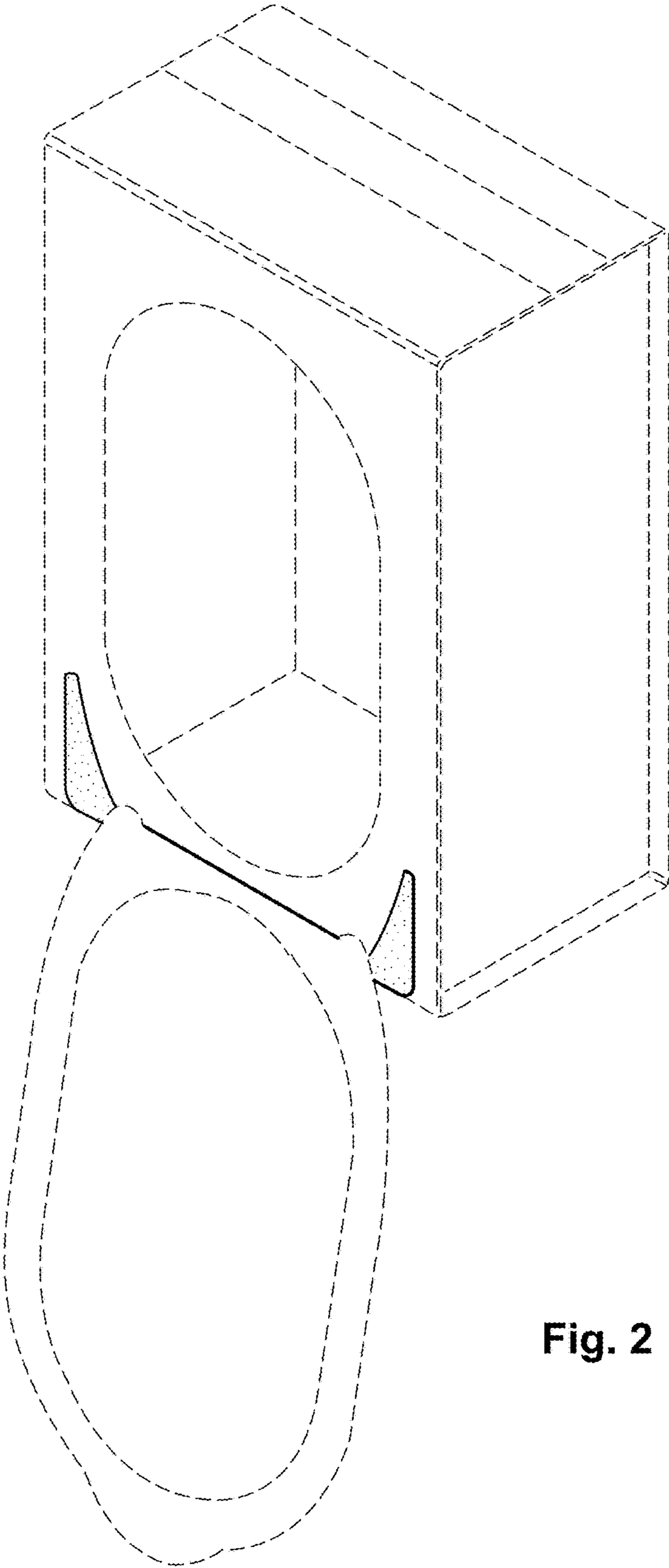


Fig. 2

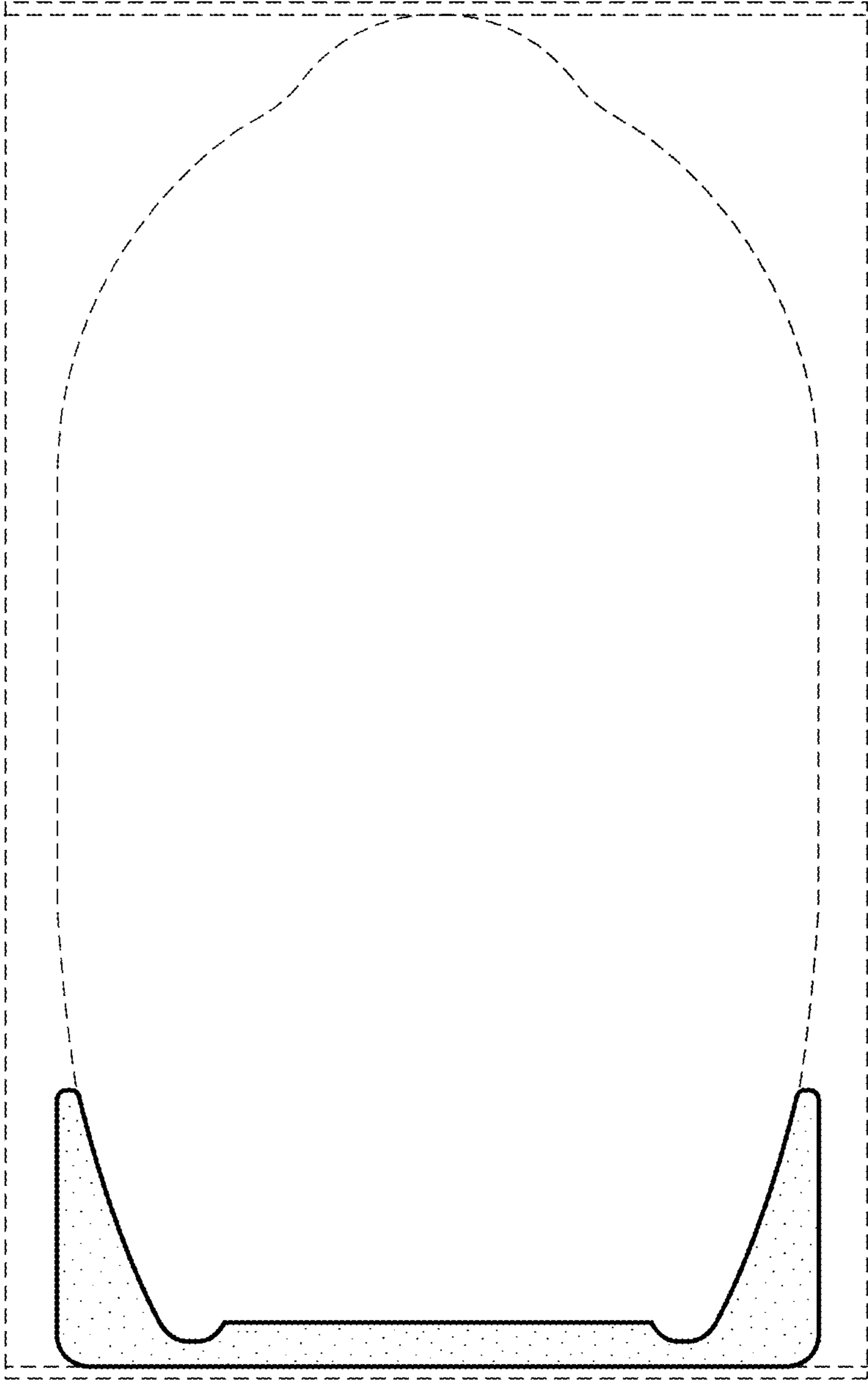


Fig. 3

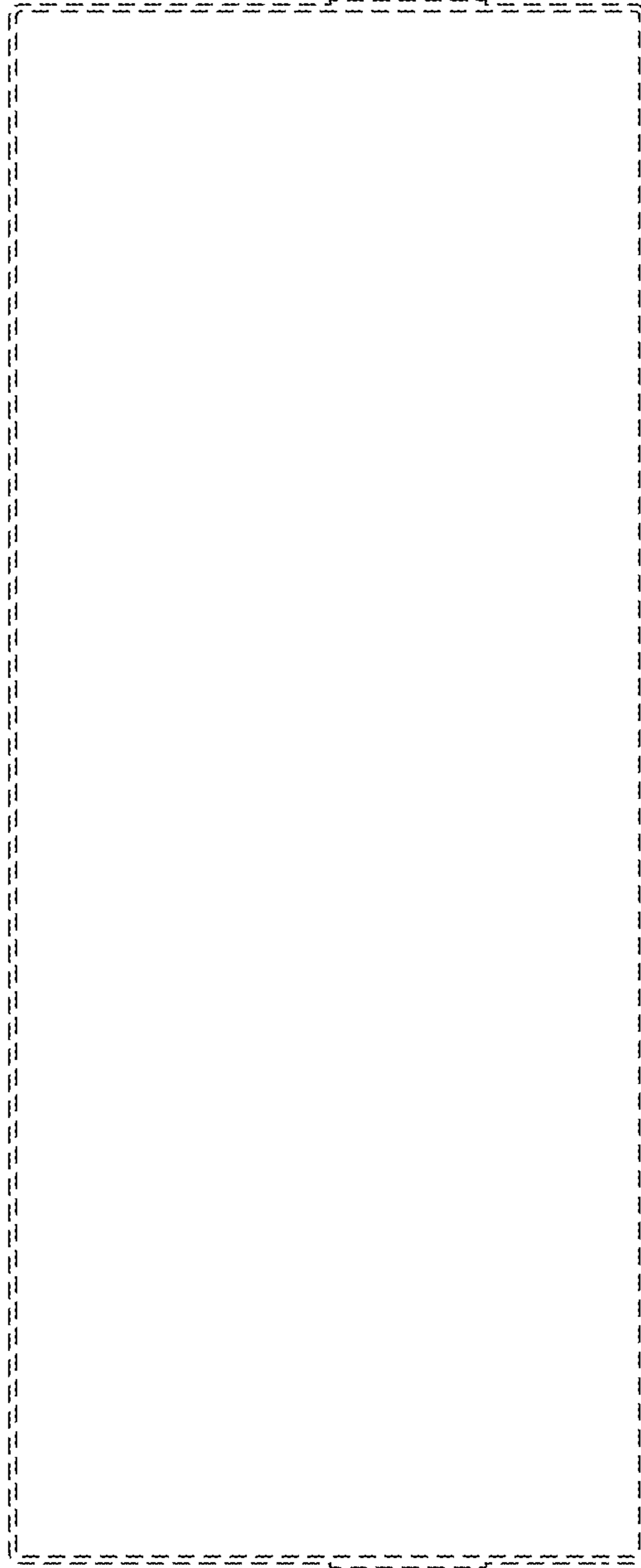


Fig. 4

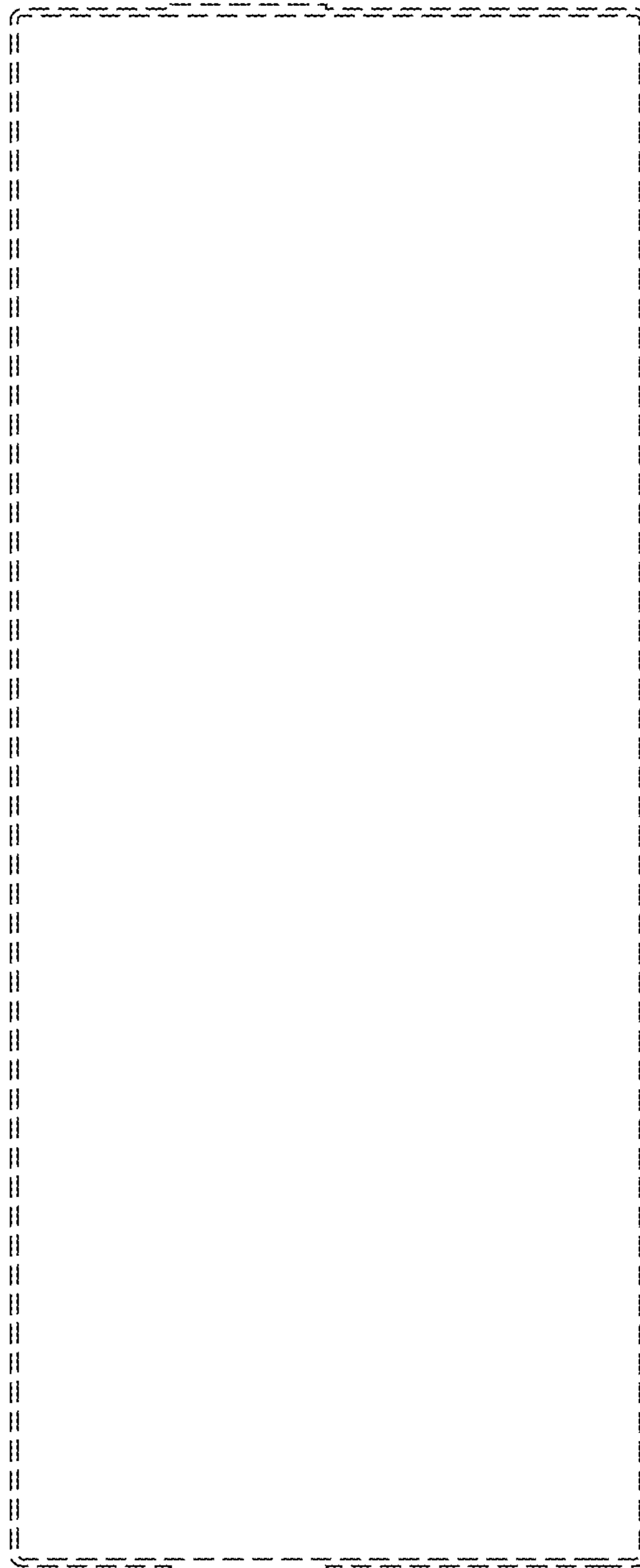


Fig. 5

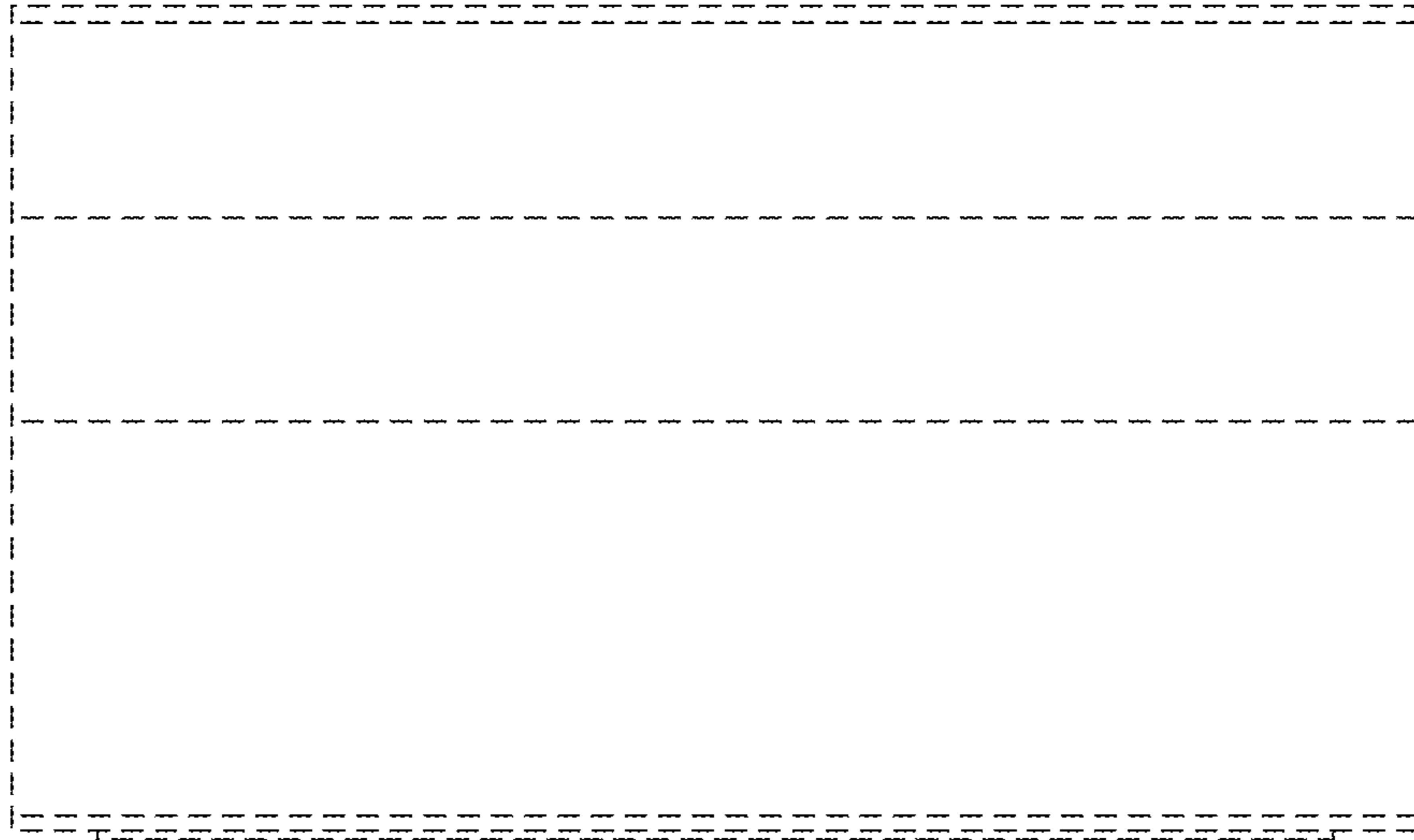


Fig. 6

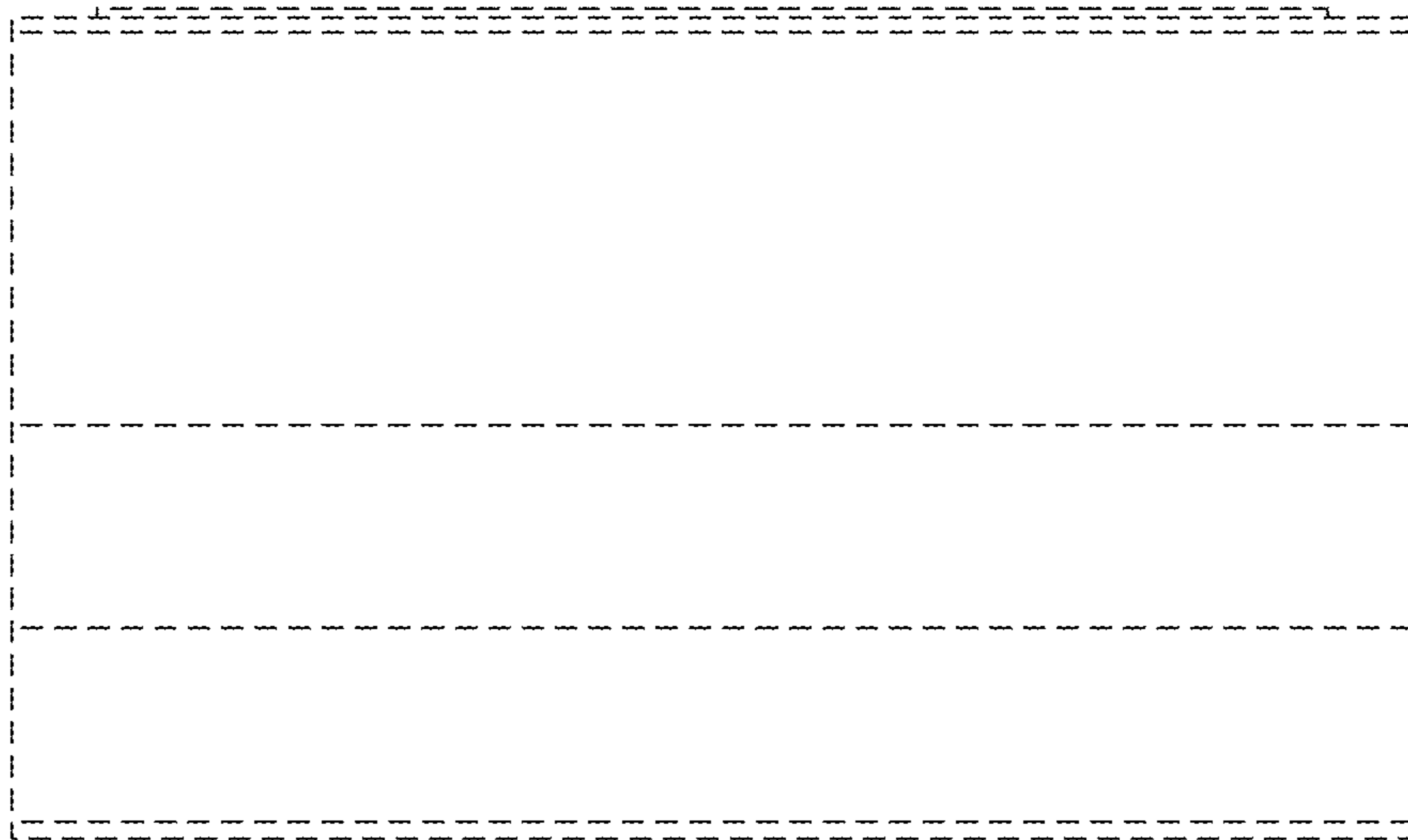


Fig. 7

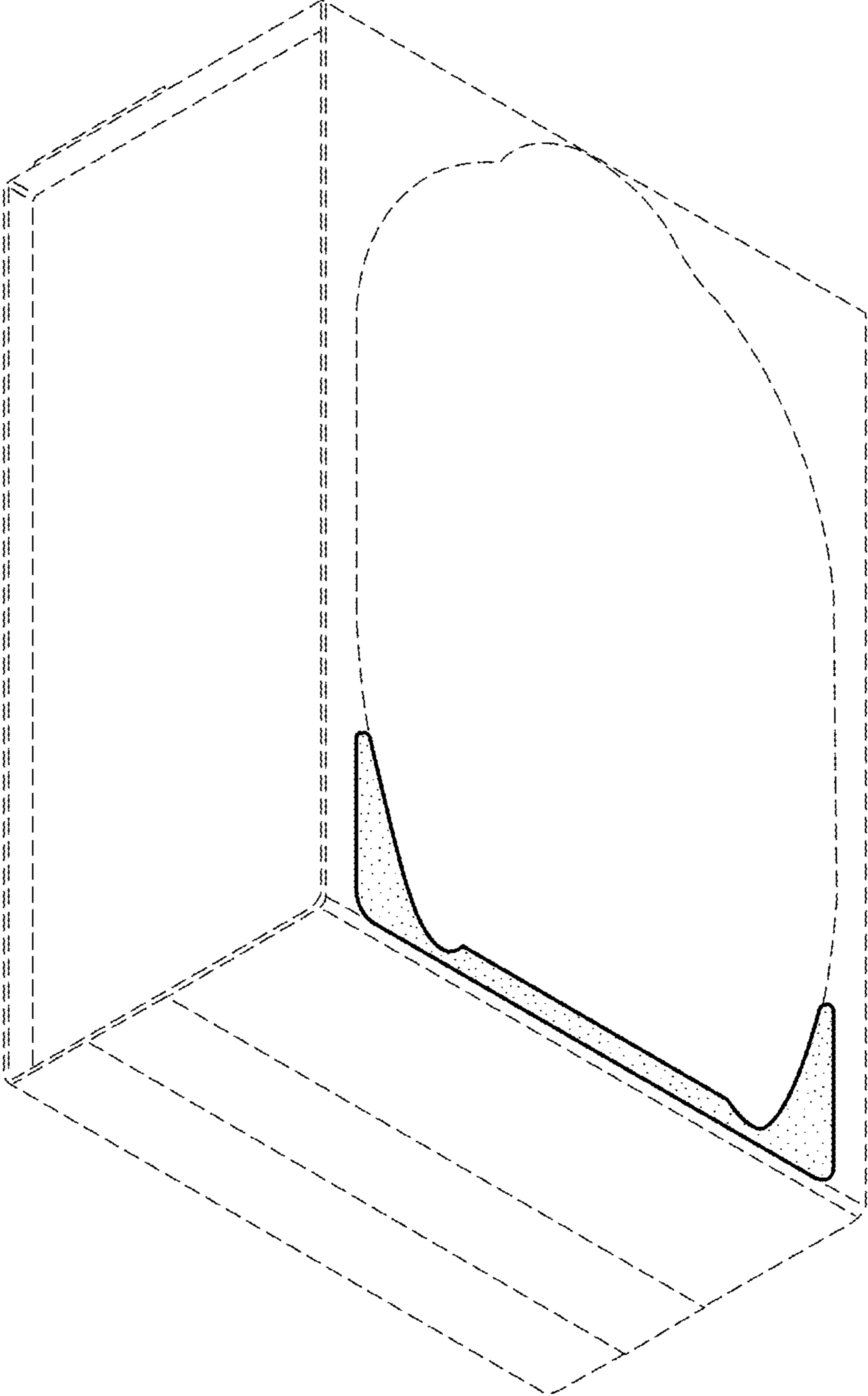


Fig. 8

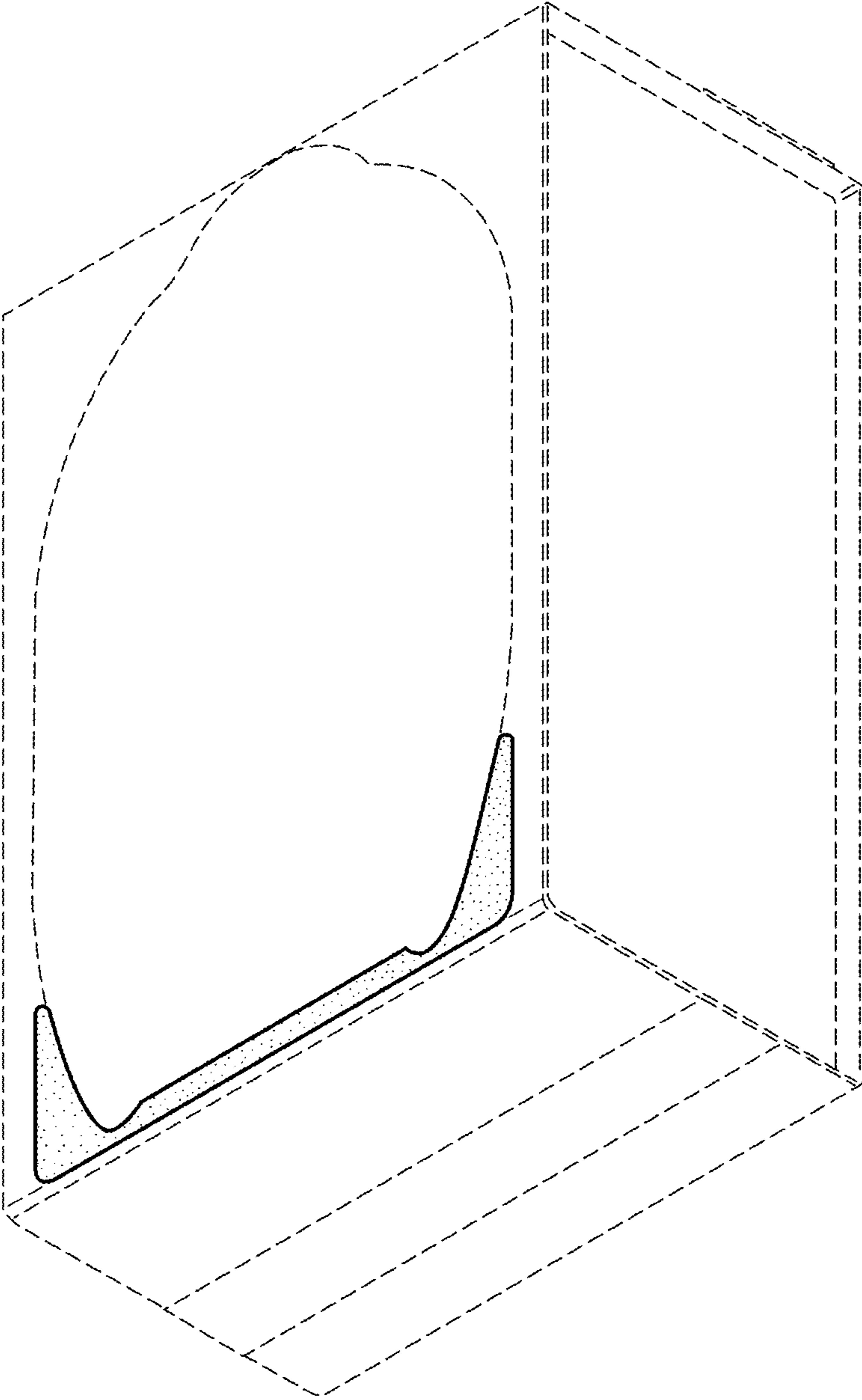


Fig. 9