



US00D815519S

(12) **United States Design Patent**  
**Geheran et al.**

(10) **Patent No.:** **US D815,519 S**  
(45) **Date of Patent:** **\*\* Apr. 17, 2018**

- (54) **ELECTRODE PACKAGING**
- (71) Applicant: **Hypertherm, Inc.**, Hanover, NH (US)
- (72) Inventors: **Martin J. Geheran**, Swanzey, NH (US); **Frank D. Cook**, Grafton, NH (US); **Pedro A. Tedeschi**, Quechee, VT (US); **Scott Behner**, Northwood, NH (US); **Jeffrey S. Baillies**, Oregon, WI (US)
- (73) Assignee: **Hypertherm, Inc.**, Hanover, NH (US)
- (\*\*) Term: **15 Years**
- (21) Appl. No.: **29/561,258**
- (22) Filed: **Apr. 14, 2016**
- (51) **LOC (11) Cl.** ..... **09-03**
- (52) **U.S. Cl.**  
USPC ..... **D9/423**
- (58) **Field of Classification Search**  
USPC ..... D9/423, 420, 424, 426, 428, 415, 425, D9/756; D3/302, 273; D7/629; D19/185; D12/114; D24/222; D14/217, D14/204; 206/469, 461, 365, 459.5  
CPC ..... B65D 75/366; B65D 75/225; A61M 5/002  
See application file for complete search history.

- D513,870 S \* 1/2006 Rosine ..... D3/273
- D529,959 S \* 10/2006 Oas ..... D19/185
- D550,210 S \* 9/2007 Polany ..... D14/217
- 8,485,360 B2 \* 7/2013 Teys ..... B65D 75/366  
206/469
- D694,618 S \* 12/2013 Pham ..... D9/426
- D724,903 S \* 3/2015 Chen ..... D7/629
- D739,551 S \* 9/2015 Castaing ..... D24/222
- D756,329 S \* 5/2016 Warden ..... D14/204
- D756,769 S \* 5/2016 Tuchrelo ..... D9/425
- D756,770 S \* 5/2016 Snedden ..... D9/425
- D764,357 S \* 8/2016 Hinsey ..... D12/114

(Continued)

*Primary Examiner* — Rhea Shields  
(74) *Attorney, Agent, or Firm* — Proskauer Rose LLP

(57) **CLAIM**

The ornamental design for an electrode package, as shown and described.

**DESCRIPTION**

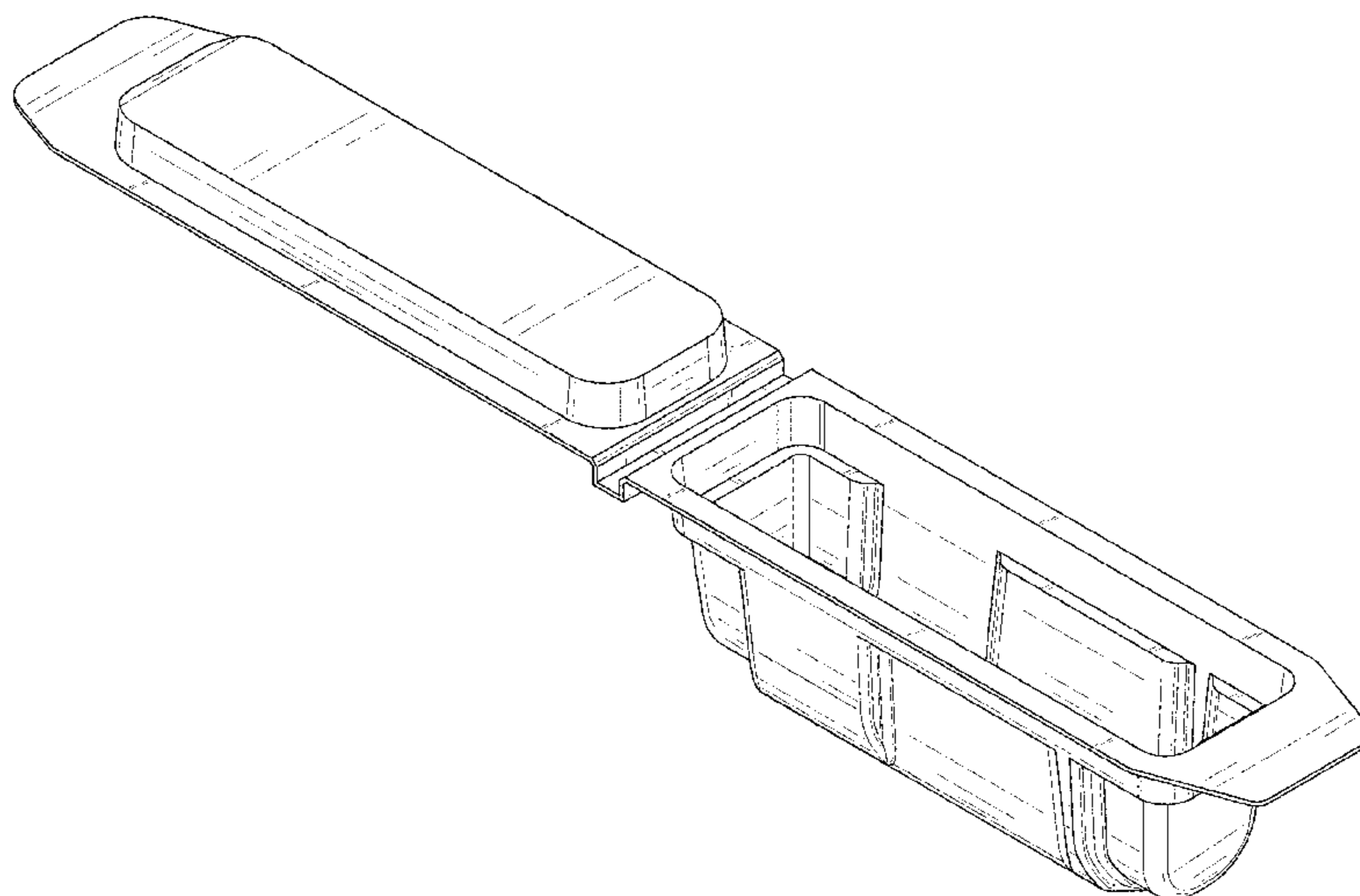
FIG. 1 is a prospective view of a first embodiment of an electrode packaging;  
 FIG. 2 is a front view thereof;  
 FIG. 3 is a back view thereof;  
 FIG. 4 is a left view thereof;  
 FIG. 5 is a right view thereof;  
 FIG. 6 is a bottom view thereof;  
 FIG. 7 is a top view thereof;  
 FIG. 8 is a perspective view of the electrode package in an environment;  
 FIG. 9 is a front view thereof;  
 FIG. 10 is a back view thereof;  
 FIG. 11 is a left view thereof;  
 FIG. 12 is a right view thereof;  
 FIG. 13 is a bottom view thereof; and,  
 FIG. 14 is a top view thereof.  
 In the drawings, the broken lines are for the purpose of illustrating environment only and form no part of the claimed design.

**1 Claim, 9 Drawing Sheets**

(56) **References Cited**

U.S. PATENT DOCUMENTS

- 3,913,734 A \* 10/1975 Siegel ..... B65D 75/366  
206/459.5
- 4,106,621 A \* 8/1978 Sorenson ..... A61M 5/002  
206/365
- 4,512,474 A \* 4/1985 Harding ..... B65D 75/225  
206/461
- D387,275 S \* 12/1997 Hamilton ..... D9/423
- D409,085 S \* 5/1999 Wyslowsky ..... D9/423
- D411,448 S \* 6/1999 Baker ..... D9/415
- D500,924 S \* 1/2005 Martin ..... D3/302



(56)

**References Cited**

U.S. PATENT DOCUMENTS

D769,131 S \* 10/2016 Church ..... D9/756  
D769,734 S \* 10/2016 Church ..... D9/756

\* cited by examiner

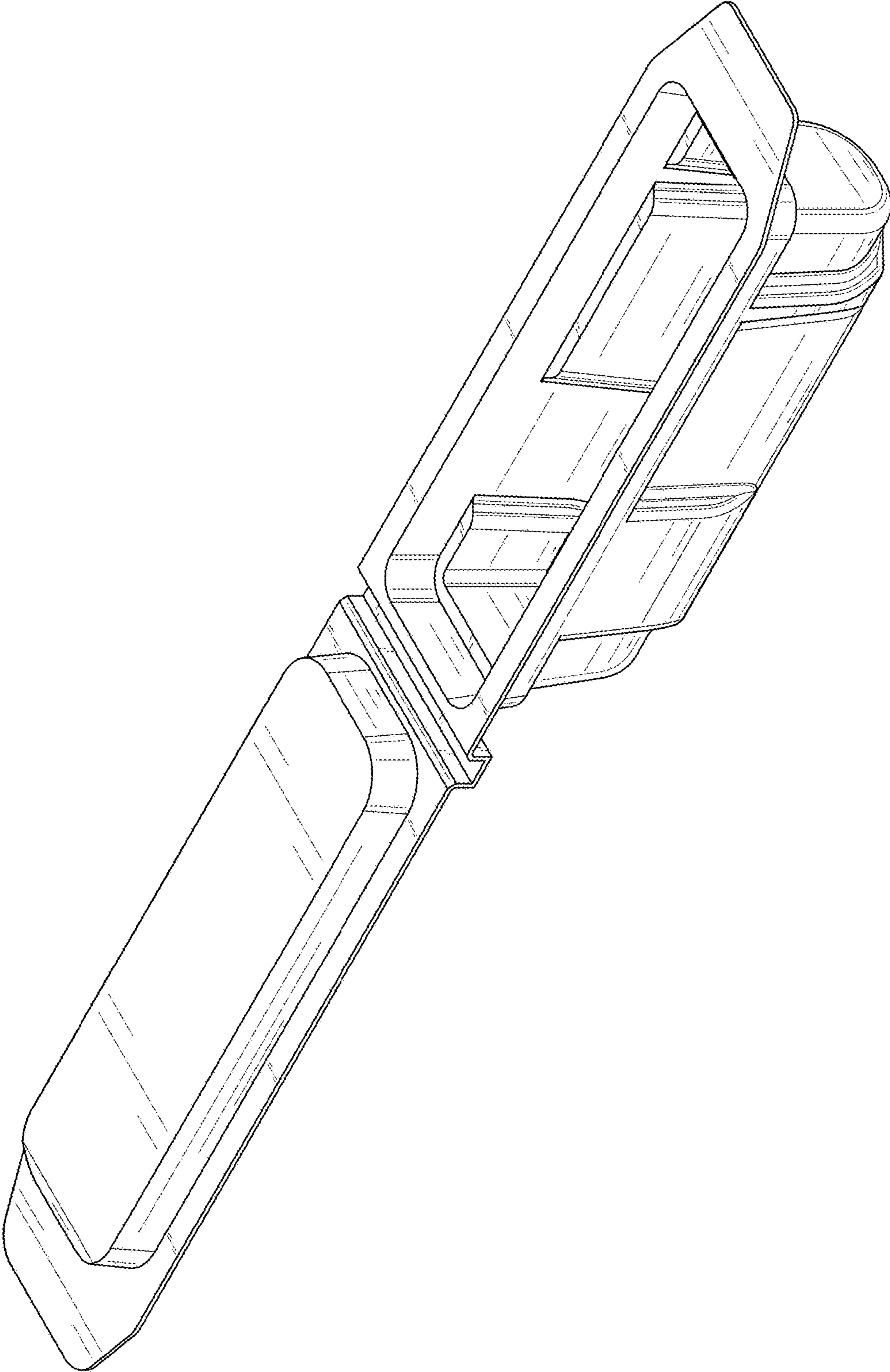


FIG. 1

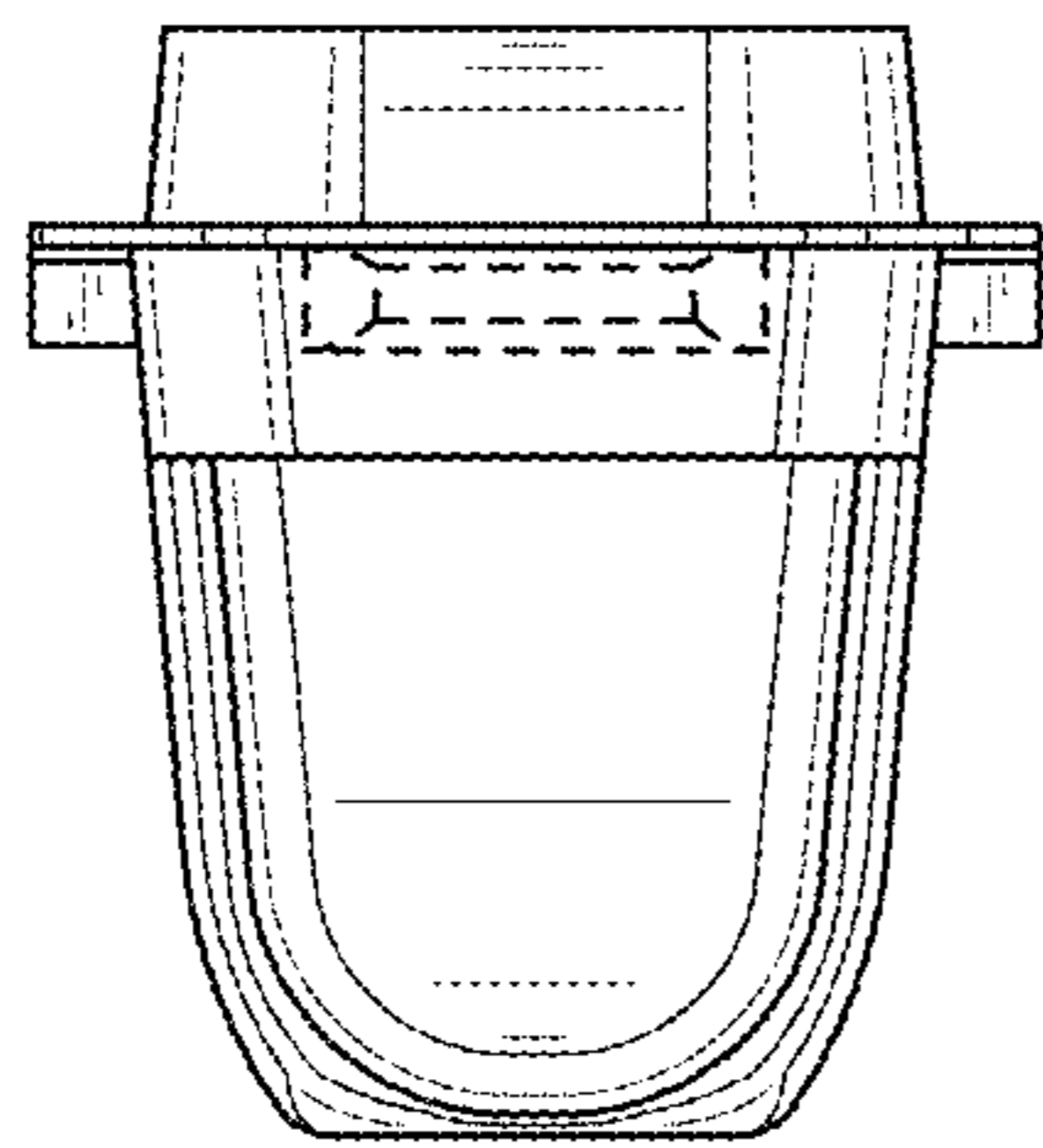


FIG. 2

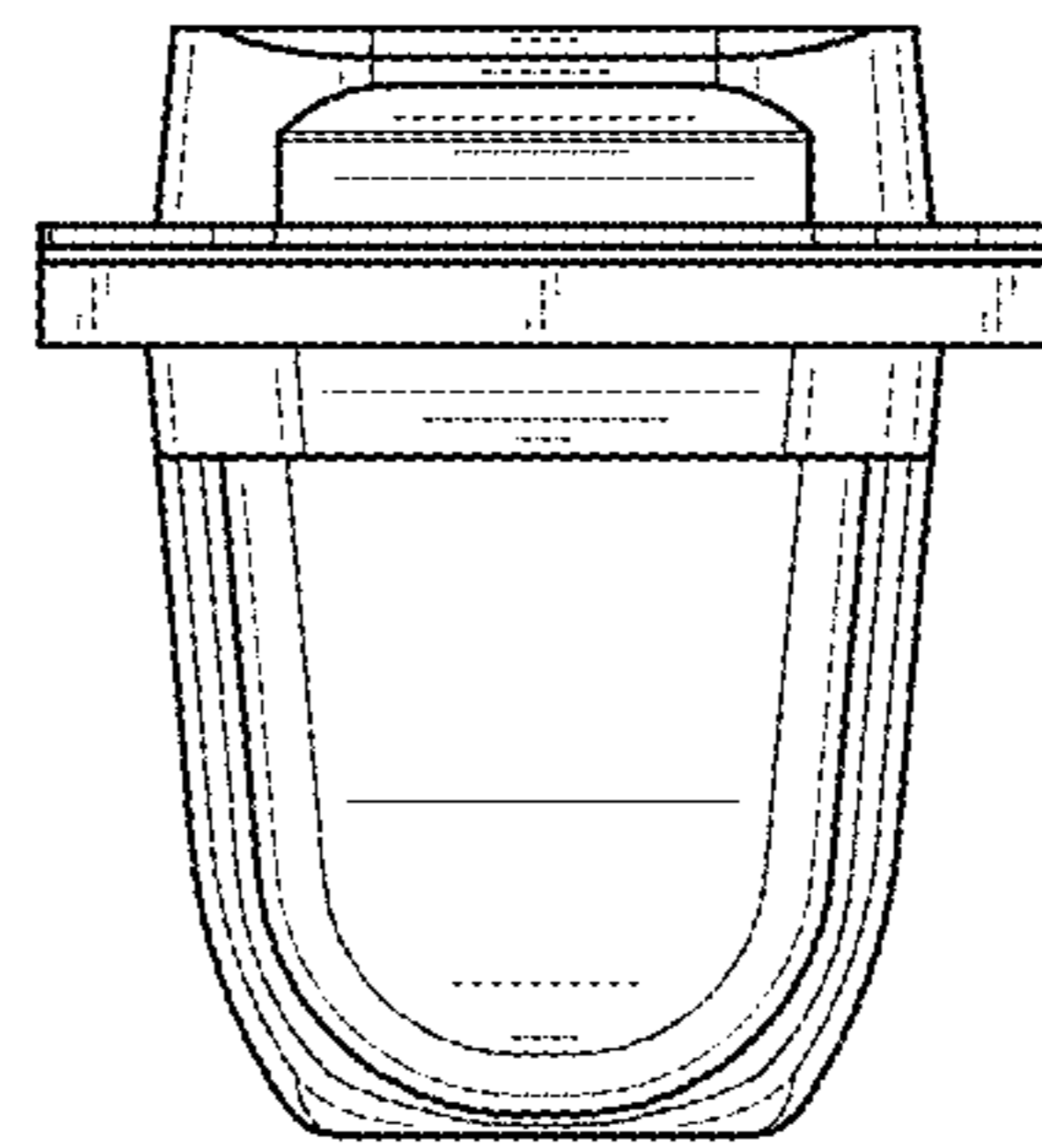


FIG. 3

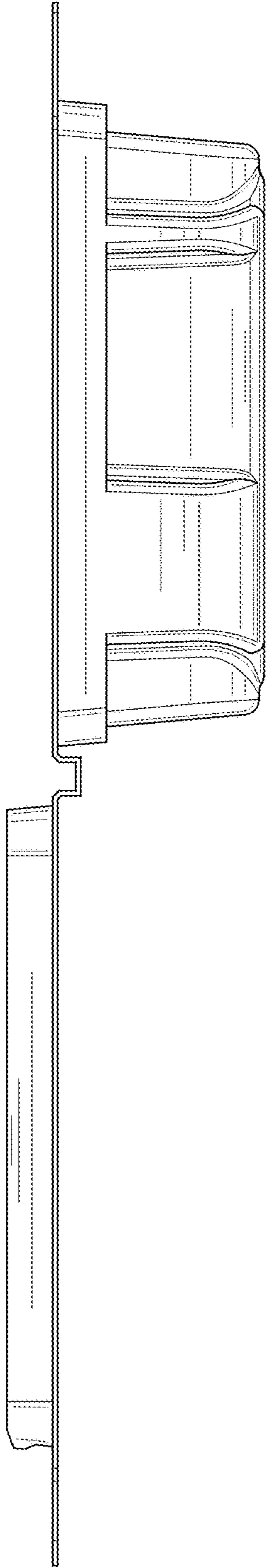


FIG. 4

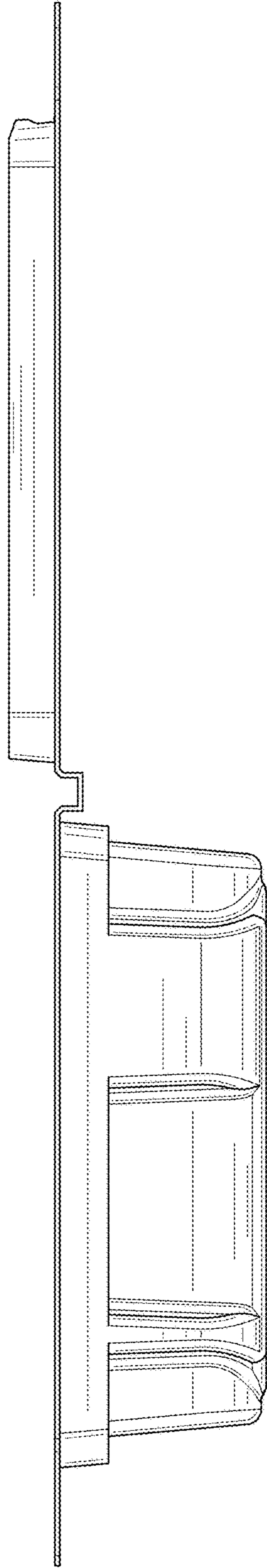


FIG. 5



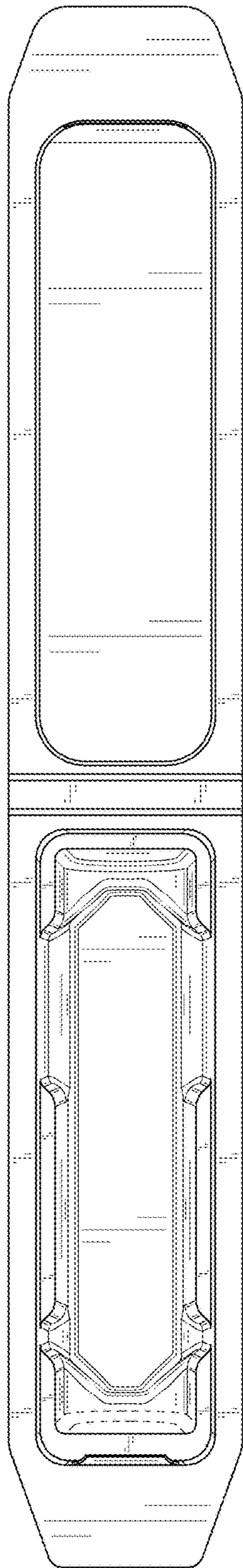


FIG. 6

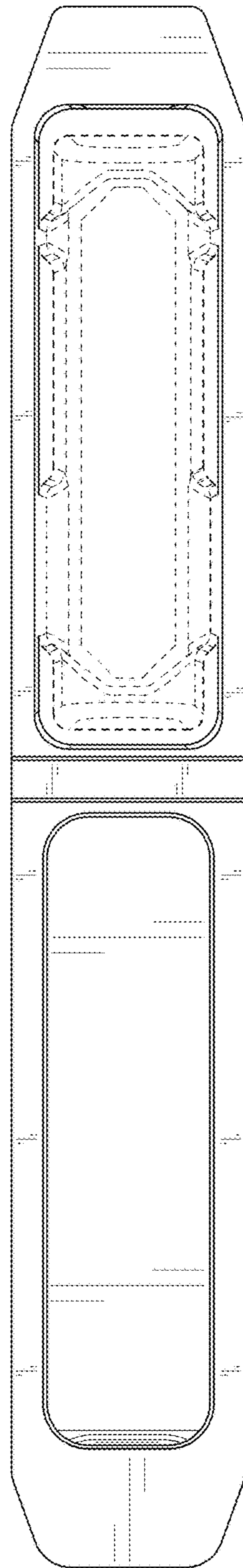


FIG. 7

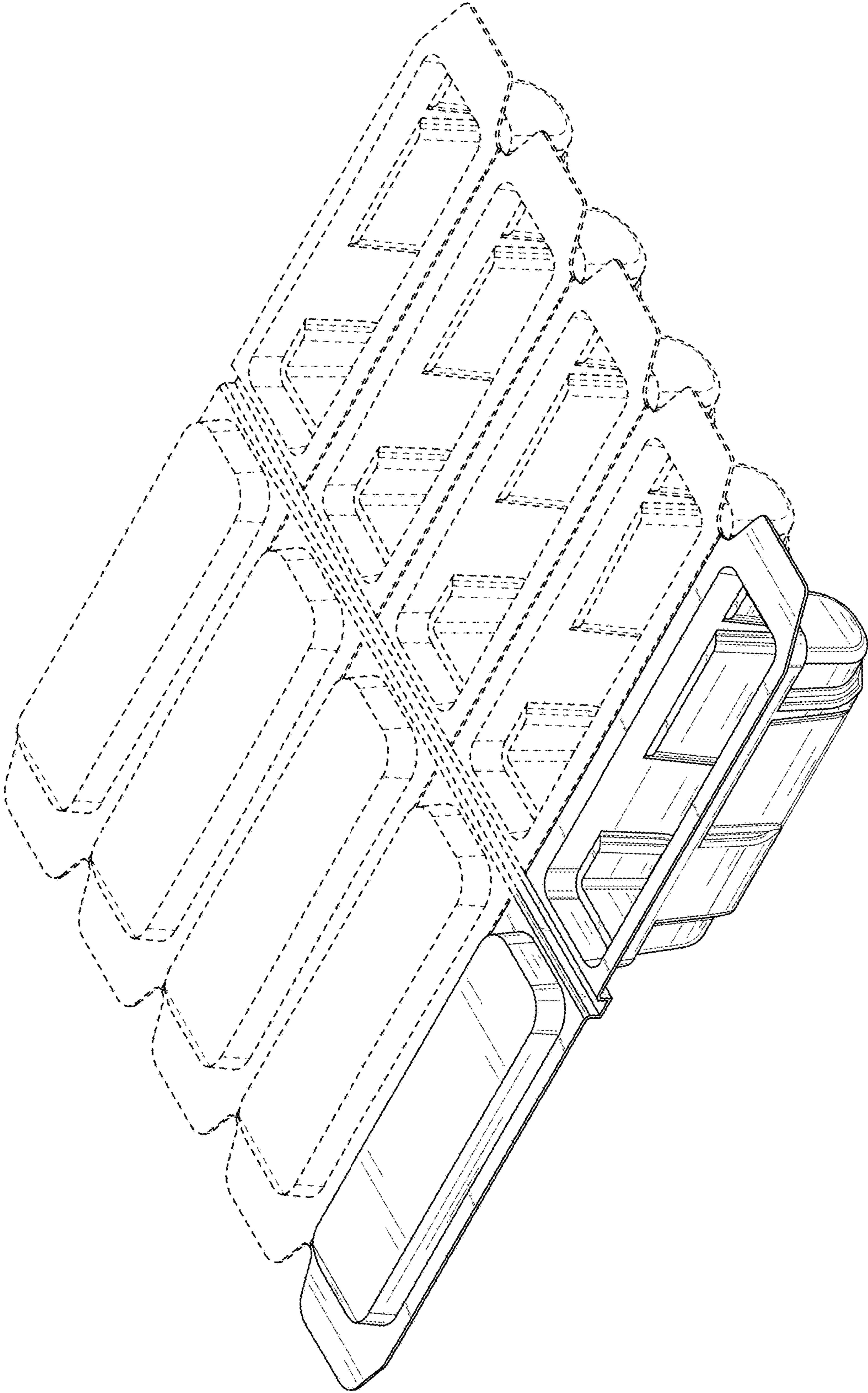


FIG. 8

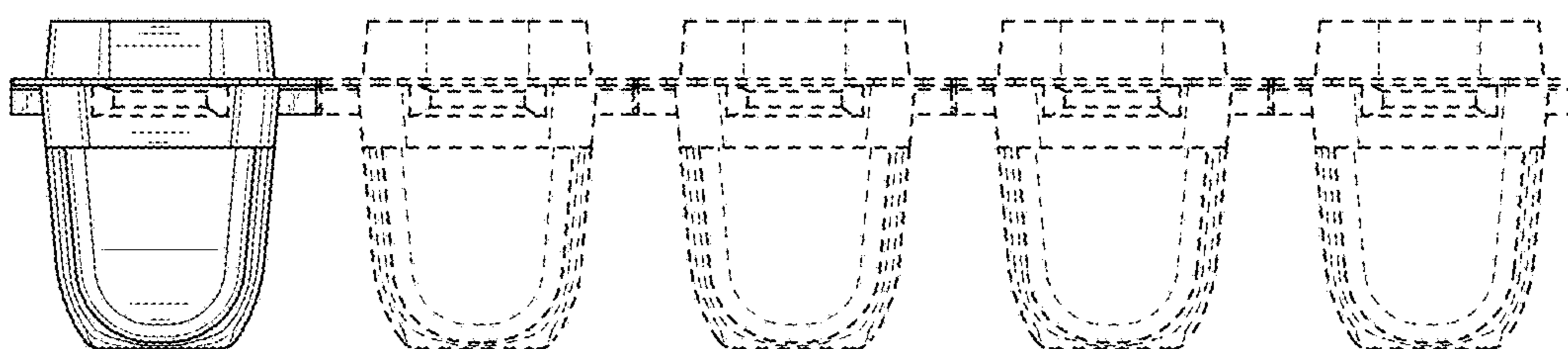


FIG. 9

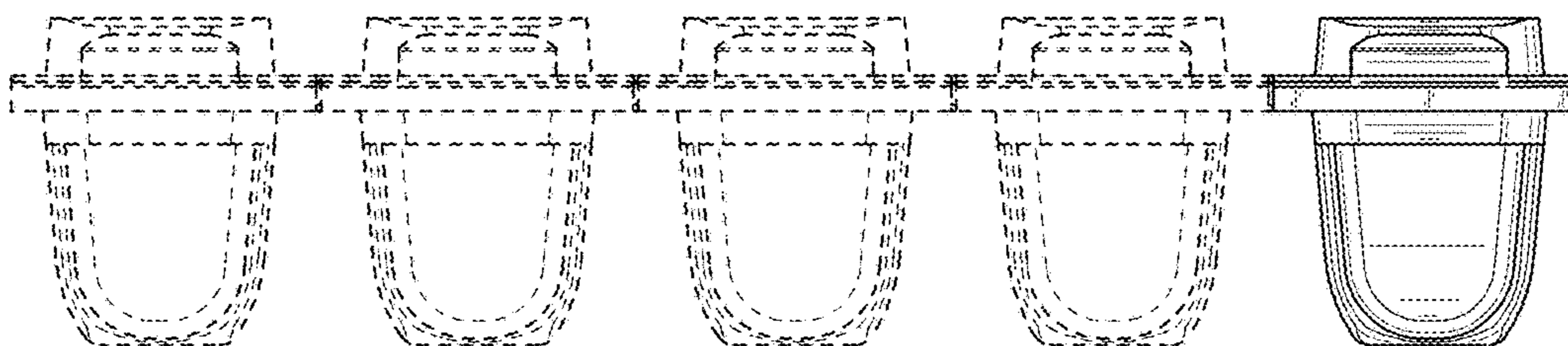


FIG. 10



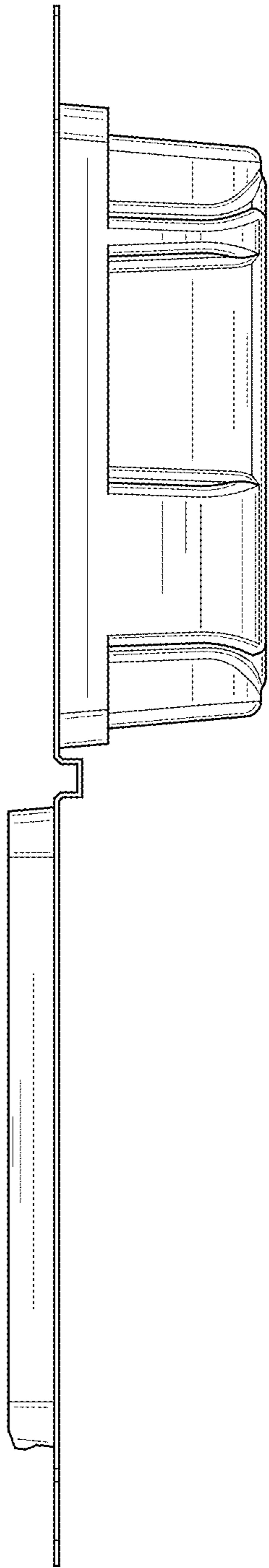


FIG. 11

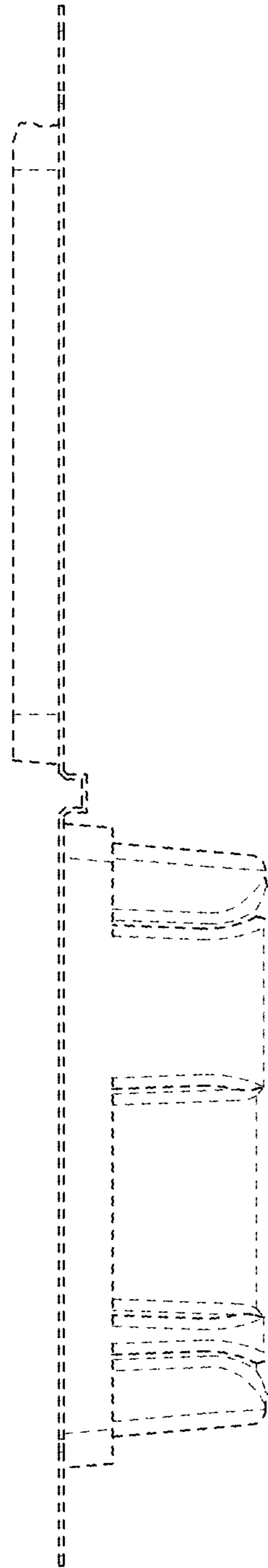


FIG. 12

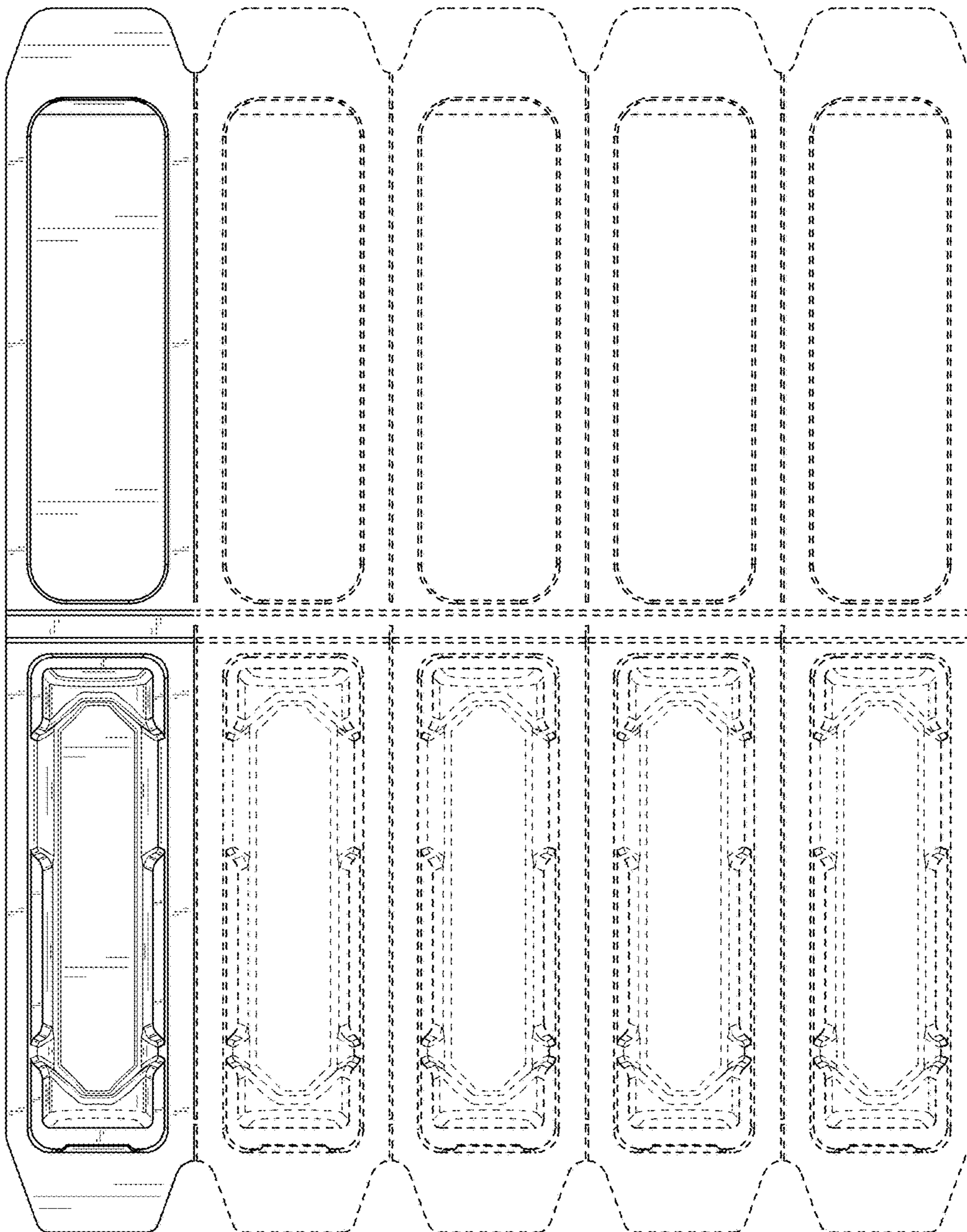


FIG. 13

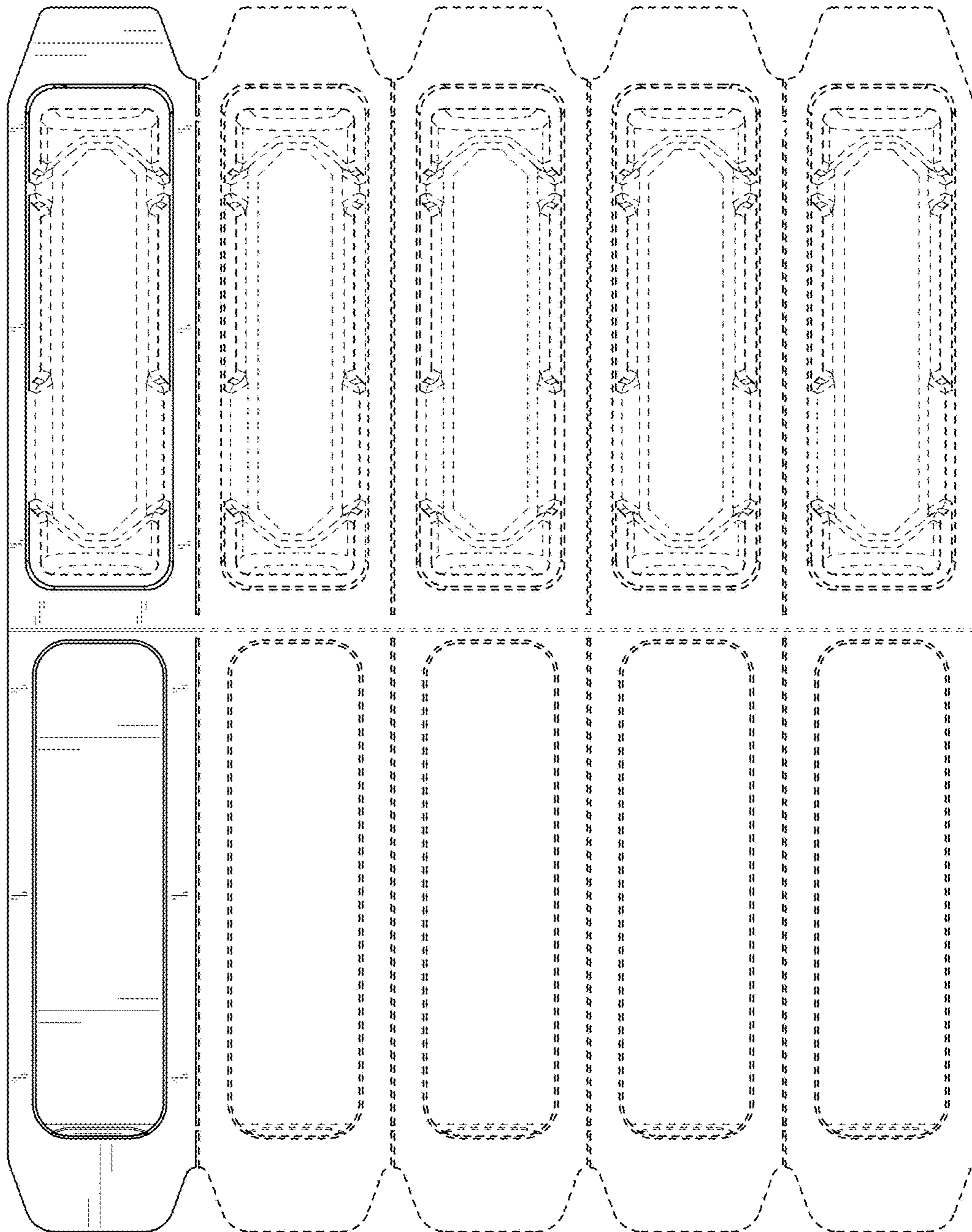


FIG. 14