



US00D815518S

(12) **United States Design Patent** (10) **Patent No.:** **US D815,518 S**  
**Safdie et al.** (45) **Date of Patent:** **\*\* Apr. 17, 2018**

(54) **PACKAGE FOR NAIL POLISH BOTTLES**

(74) *Attorney, Agent, or Firm* — Wood Herron & Evans LLP

(71) Applicant: **Best Accessory Group LLC**, New York, NY (US)

(72) Inventors: **Abraham Safdie**, Brooklyn, NY (US);  
**Jack Saban**, Brooklyn, NY (US)

(57) **CLAIM**

The ornamental design for the package for nail polish bottles, as shown and described.

(73) Assignee: **Best Accessory Group LLC**, New York, NY (US)

(\*\*) Term: **15 Years**

**DESCRIPTION**

(21) Appl. No.: **29/573,447**

FIG. 1 is a top perspective view of a first embodiment of our new package for nail polish bottles design;  
FIG. 2 is a bottom perspective view thereof;  
FIG. 3 is a front elevation view thereof;  
FIG. 4 is a right side elevation view thereof;  
FIG. 5 is a rear elevation view thereof;  
FIG. 6 is a left side elevation view thereof;  
FIG. 7 is a top view thereof;  
FIG. 8 is a bottom view thereof;  
FIG. 9 is an exploded perspective view thereof, in a first arrangement; and  
FIG. 10 is an exploded perspective view thereof, in a second arrangement.

(22) Filed: **Aug. 5, 2016**

(51) **LOC (11) Cl.** ..... **09-03**

(52) **U.S. Cl.**  
USPC ..... **D9/418**; D9/504; D9/454; D9/414

(58) **Field of Classification Search**  
USPC ..... D9/414–415, 424–425, 428, 432–434,  
D9/504, 686–699, 703, 710, 718, 734,  
D9/756, 767; D3/203.5, 202–208, 217,  
D3/229, 257, 316; D28/82–83;  
132/73.5; 366/143  
CPC ..... A45D 29/00; A45D 29/18; A45D 44/04  
See application file for complete search history.

FIG. 11 is a top perspective view of a second embodiment of our new package for nail polish bottles design;  
FIG. 12 is a bottom perspective view thereof;  
FIG. 13 is a front elevation view thereof;  
FIG. 14 is a right side elevation view thereof;  
FIG. 15 is a rear elevation view thereof;  
FIG. 16 is a left side elevation view thereof;  
FIG. 17 is a top view thereof;  
FIG. 18 is a bottom view thereof;  
FIG. 19 is an exploded perspective view thereof, in a first arrangement; and,  
FIG. 20 is an exploded perspective view thereof, in a second arrangement.

(56) **References Cited**

**U.S. PATENT DOCUMENTS**

D315,095 S *	3/1991	Wright	.....	D9/415
D336,240 S *	6/1993	Castaldo	.....	D9/414
D403,162 S *	12/1998	Williams	.....	D3/229
D403,957 S *	1/1999	Bright	.....	D9/414
D448,281 S *	9/2001	Thibiant	.....	D9/552
D466,814 S *	12/2002	Hurlbut	.....	D9/504

(Continued)

**FOREIGN PATENT DOCUMENTS**

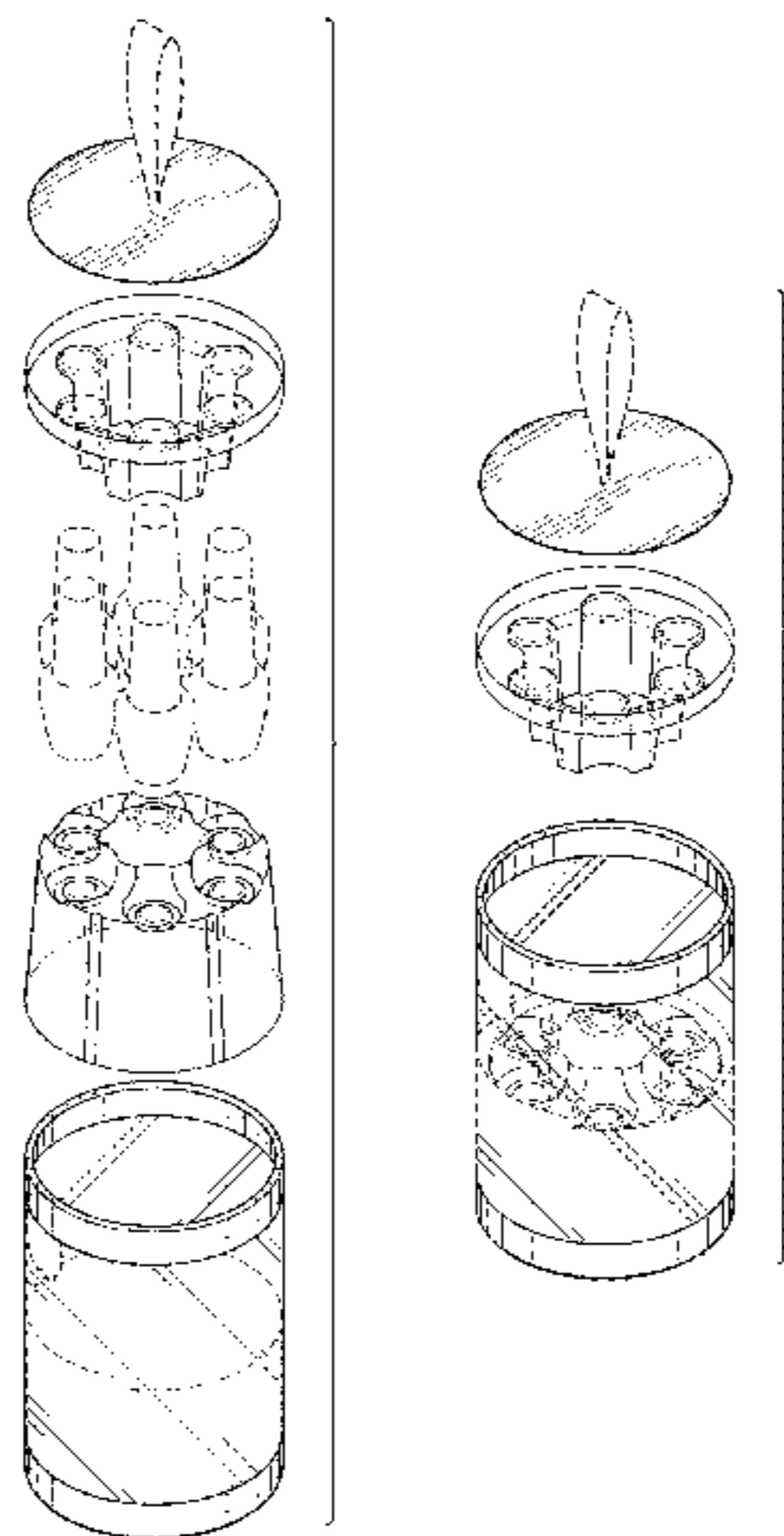
JP 2006298463 A \* 11/2006

*Primary Examiner* — Caron D Veynar

*Assistant Examiner* — Mehri F Bajoul

The broken dash lines shown in the drawing views represent non-claimed subject matter, and neither the lines themselves nor anything within the lines form any part of the claimed invention.

**1 Claim, 16 Drawing Sheets**



(56)

References Cited

U.S. PATENT DOCUMENTS

D480,307 S *	10/2003	Canamasas Puigbo	.....	D28/76	D659,004 S *	5/2012	McCoy	.....	D28/82
D493,721 S *	8/2004	Puigbo	.....	D28/76	D661,600 S *	6/2012	Hora	.....	D9/734
D494,474 S *	8/2004	Houk	.....	D27/190	D691,470 S *	10/2013	Macaulay	.....	D9/434
D515,426 S *	2/2006	Pace	.....	D9/504	D693,688 S *	11/2013	Russell	.....	D9/454
D523,752 S *	6/2006	Bried	.....	D9/504	D696,948 S *	1/2014	Kim	.....	D9/454
D526,190 S *	8/2006	Bolt	.....	D9/418	D711,250 S *	8/2014	Henriksson	.....	D9/504
D527,252 S *	8/2006	Bolt	.....	D9/418	8,834,014 B2 *	9/2014	Summons	.....	B01F 11/0002 211/74
D531,036 S *	10/2006	Bried	.....	D9/504	D728,216 S *	5/2015	Click	.....	D3/203.5
D543,111 S *	5/2007	Hoglund	.....	D9/420	D733,967 S *	7/2015	Schlatter	.....	D28/85
D570,689 S *	6/2008	Chang	.....	D9/446	D738,111 S *	9/2015	Otto	.....	D3/302
D585,599 S *	1/2009	Mongeon	.....	D28/76	9,138,701 B2 *	9/2015	Summons	.....	B01F 11/0002
7,472,709 B1 *	1/2009	Nickerson	.....	A45D 29/20 132/73.5	D741,181 S *	10/2015	Bar-Tal	.....	D9/449
D607,748 S *	1/2010	Schmidt	.....	D9/721	D741,717 S *	10/2015	Bar-Tal	.....	D9/550
D612,240 S *	3/2010	Cresswell	.....	D9/454	D755,051 S *	5/2016	Otani	.....	D9/451
D613,168 S *	4/2010	Rowland	.....	D9/504	D762,032 S *	7/2016	Holder	.....	D3/318
D627,603 S *	11/2010	Eyal	.....	D7/510	D765,389 S *	9/2016	Martin	.....	D3/203.5
D639,661 S *	6/2011	Llerena	.....	D9/504	D794,944 S *	8/2017	Martin	.....	D3/203.5
D643,694 S *	8/2011	Lu	.....	D7/629	2004/0155046 A1 *	8/2004	Gibson	.....	A45D 44/04 220/736
D643,748 S *	8/2011	Dietvorst	.....	D9/734	2009/0320316 A1 *	12/2009	Zakai	.....	A45D 29/00 34/275
D646,578 S *	10/2011	Marais	.....	D9/540	2016/0016700 A1 *	1/2016	Stevens	.....	B65D 3/30 220/258.5
D654,366 S *	2/2012	Presche	.....	D9/504					
D654,762 S *	2/2012	Gilbert	.....	D7/510					

\* cited by examiner

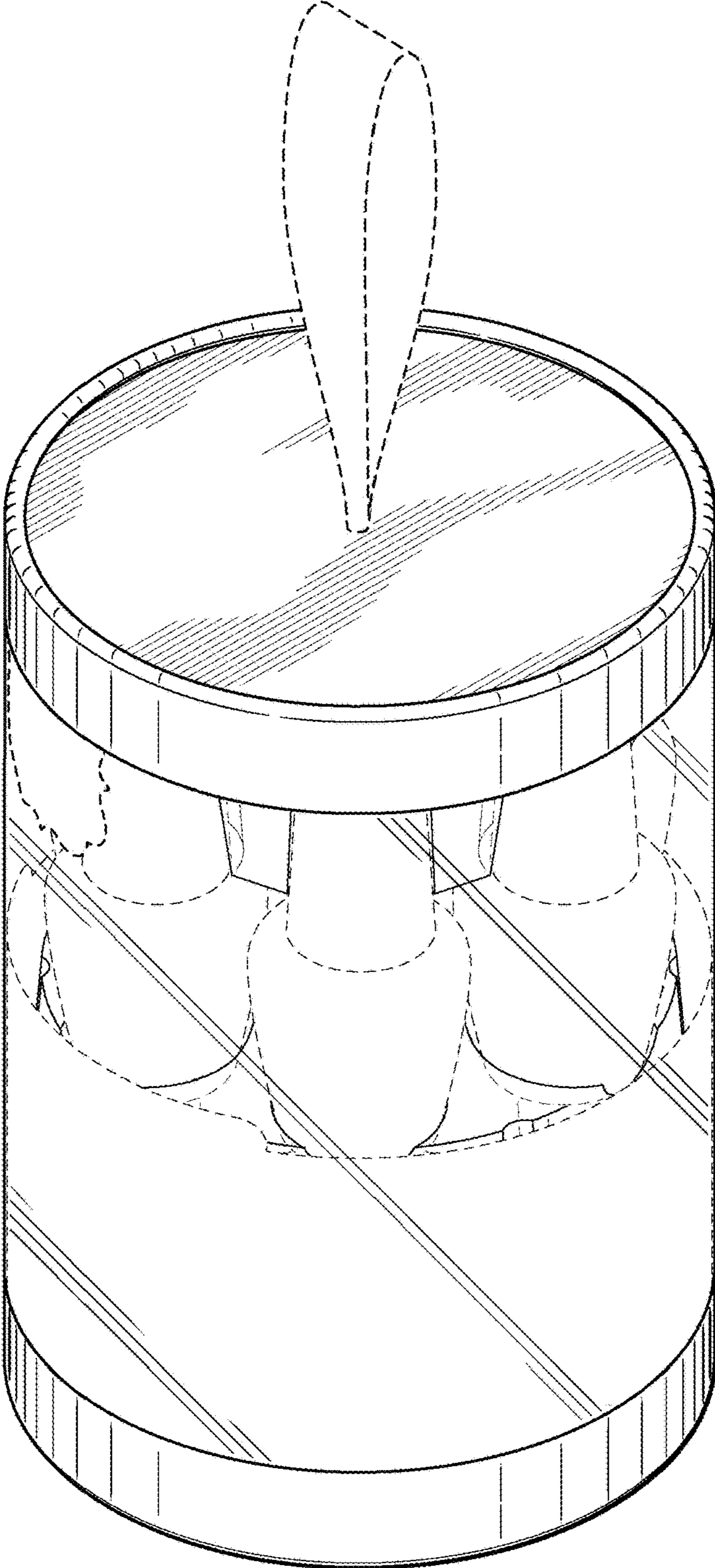


FIG. 1

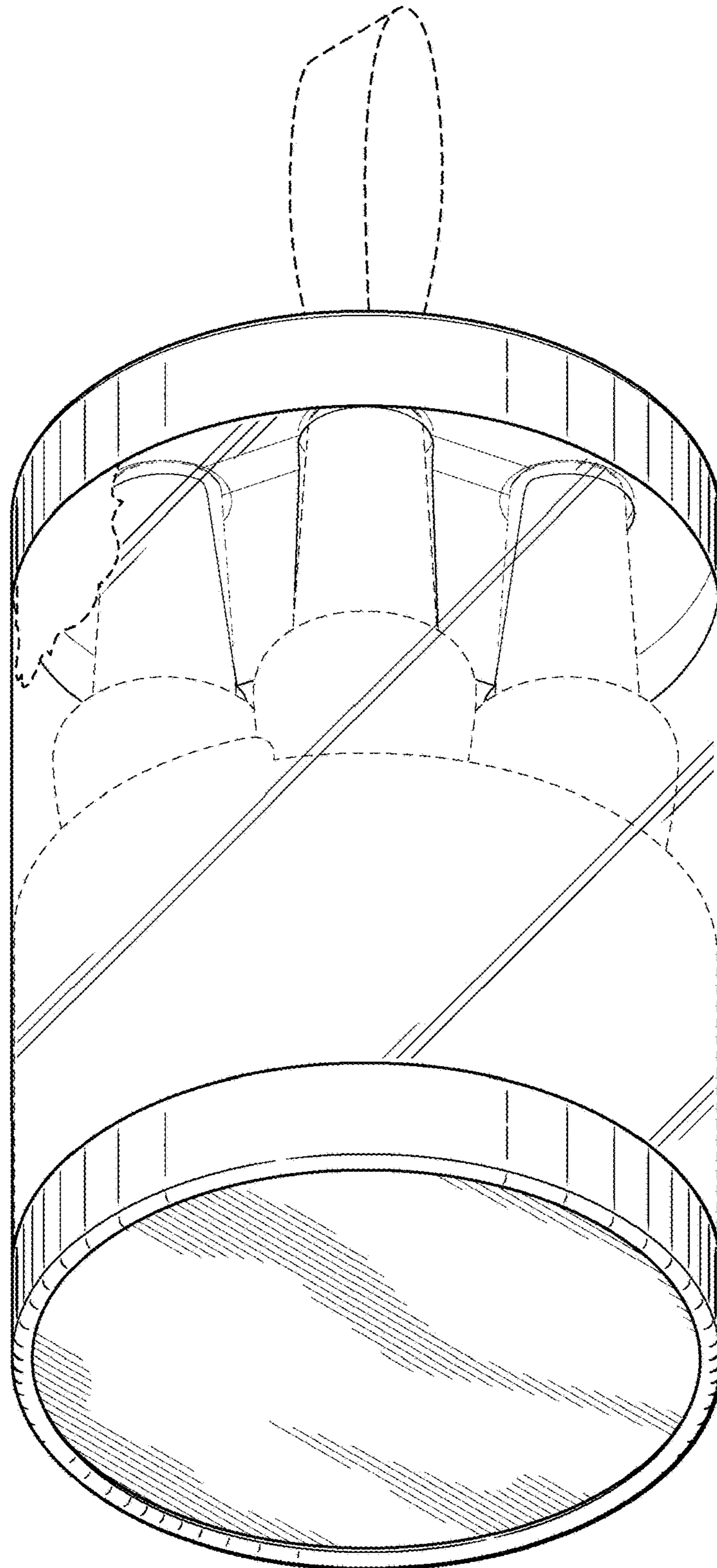


FIG. 2

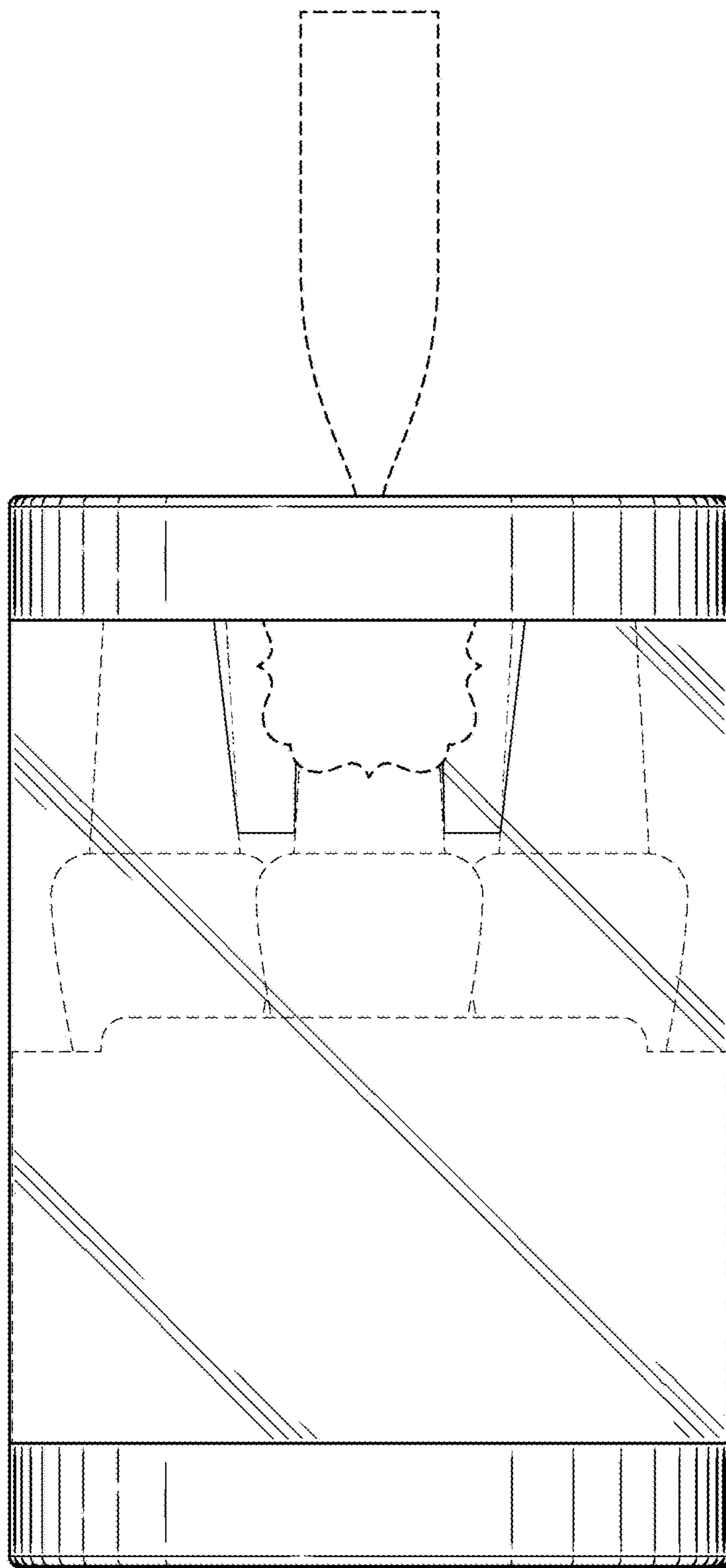


FIG. 3

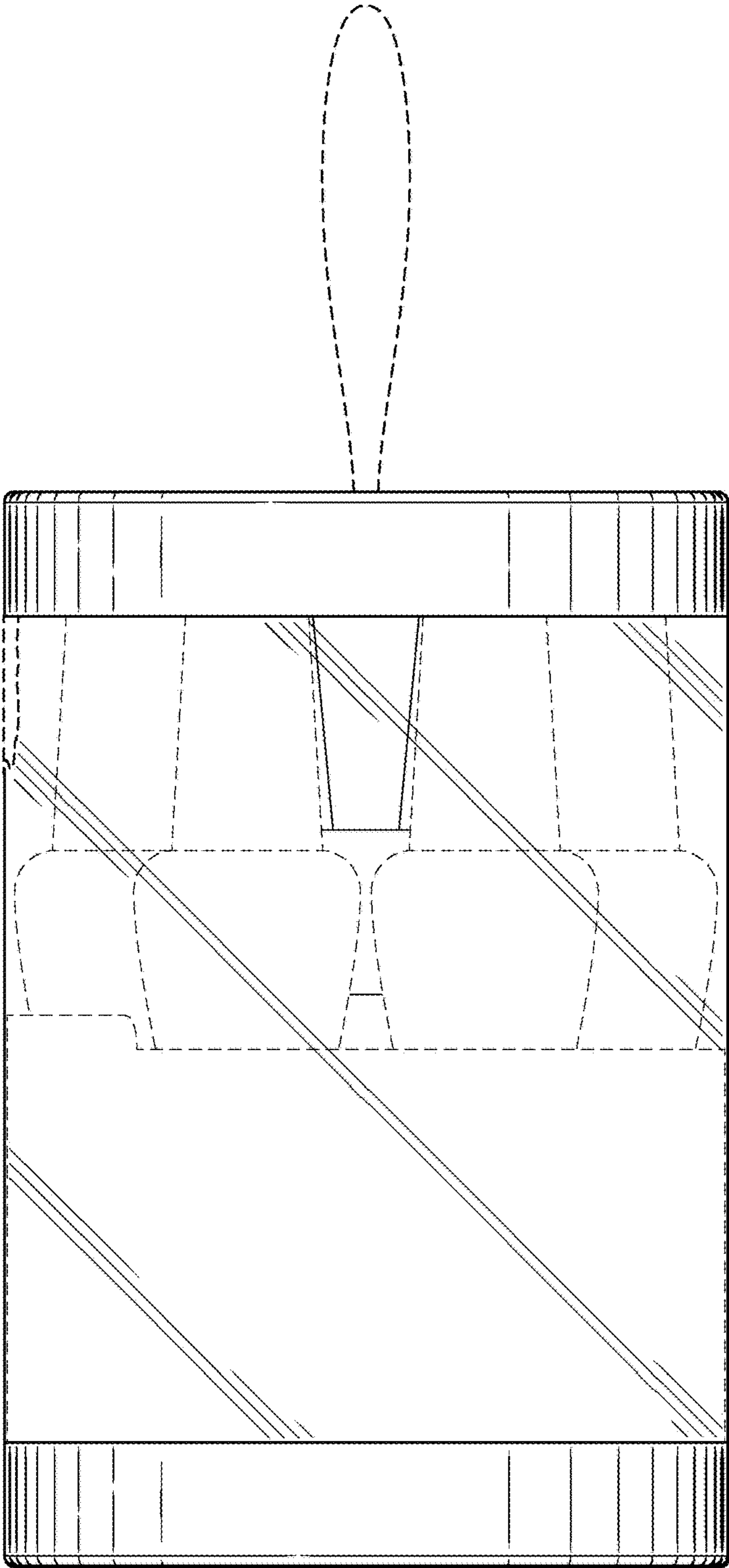


FIG. 4

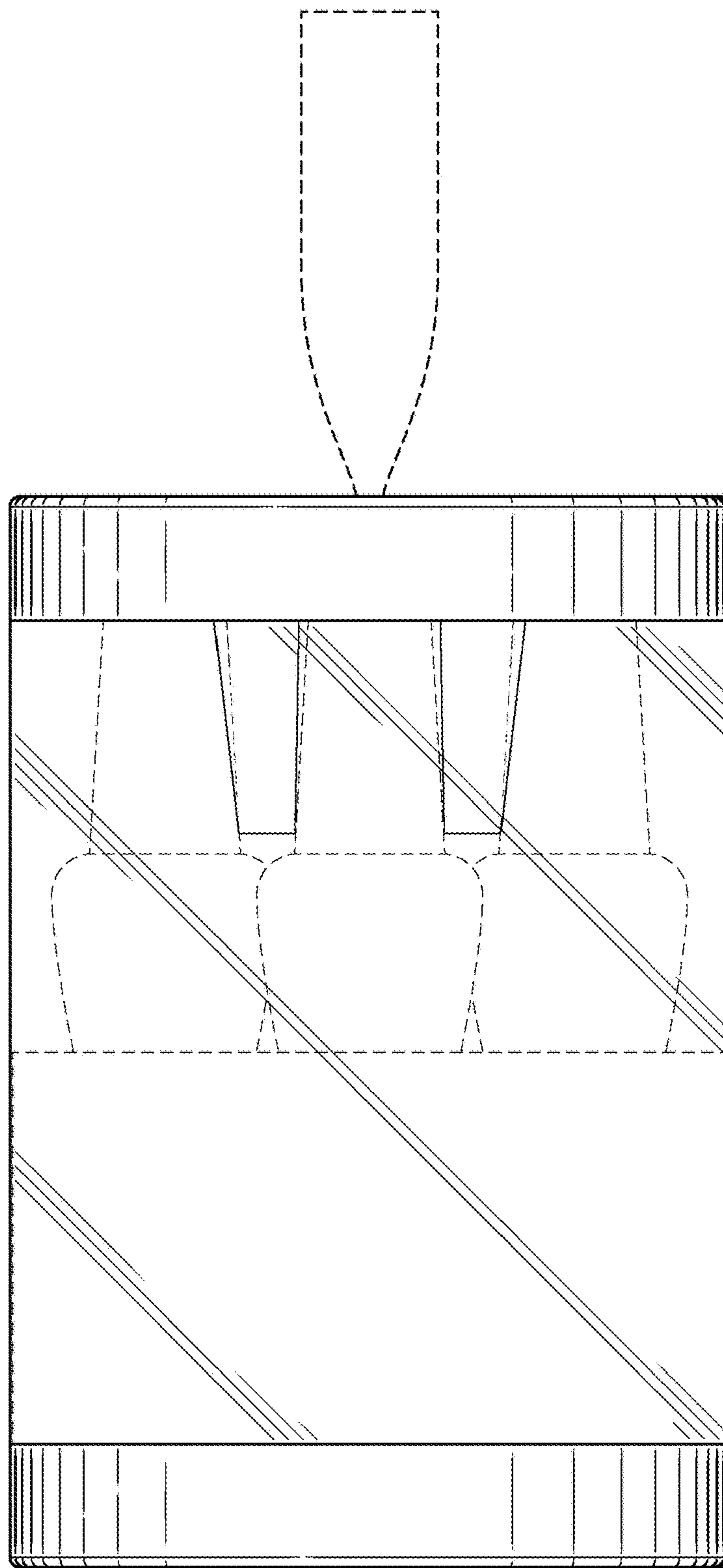


FIG. 5

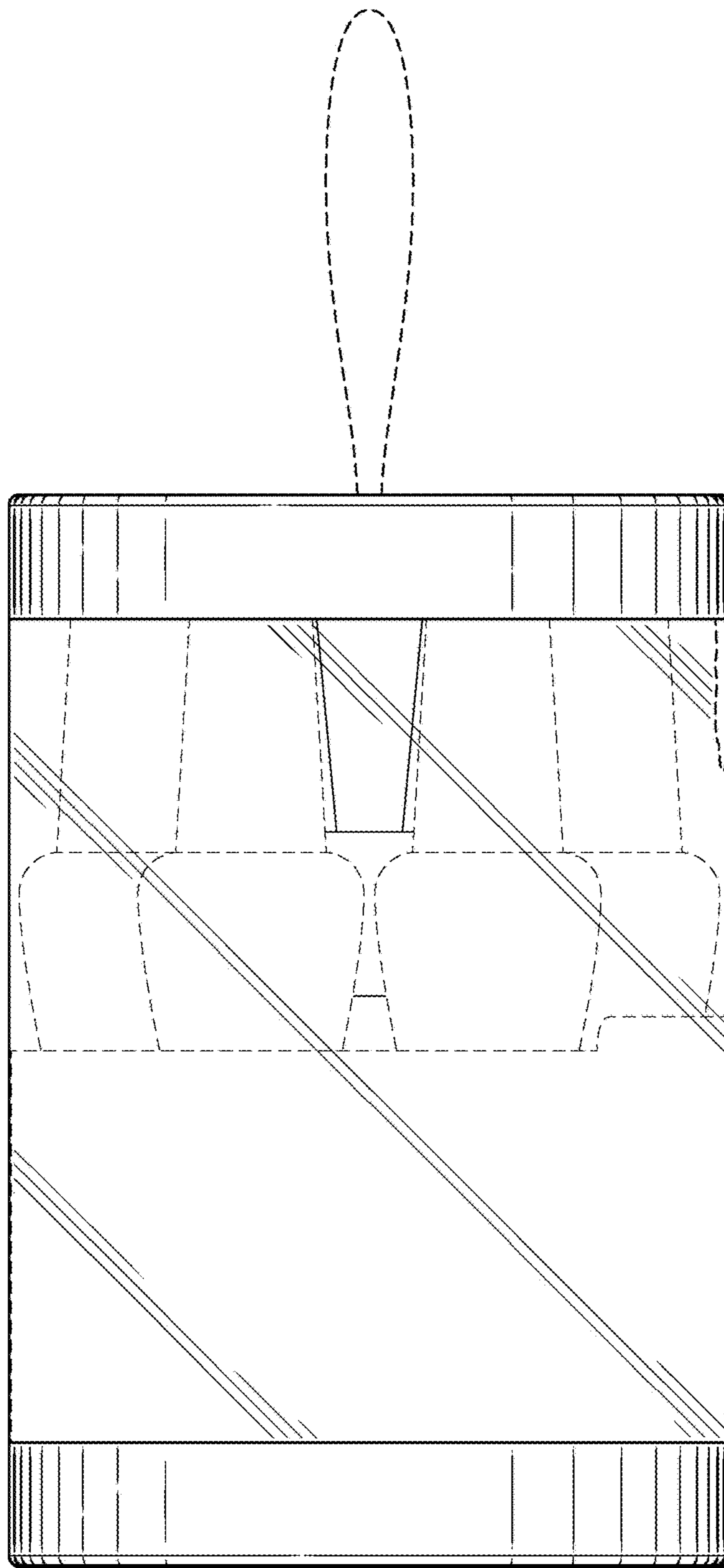


FIG. 6



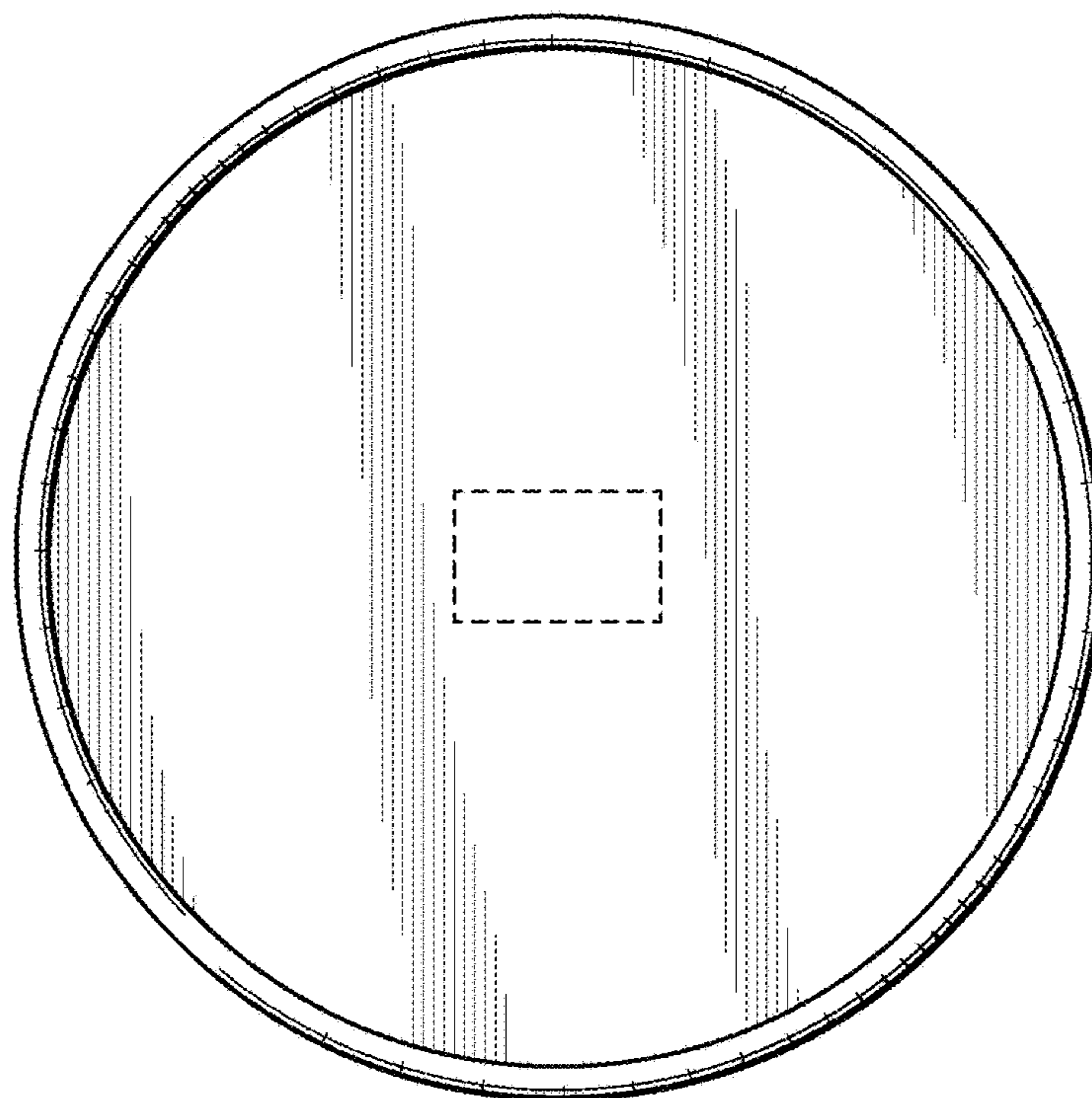


FIG. 7

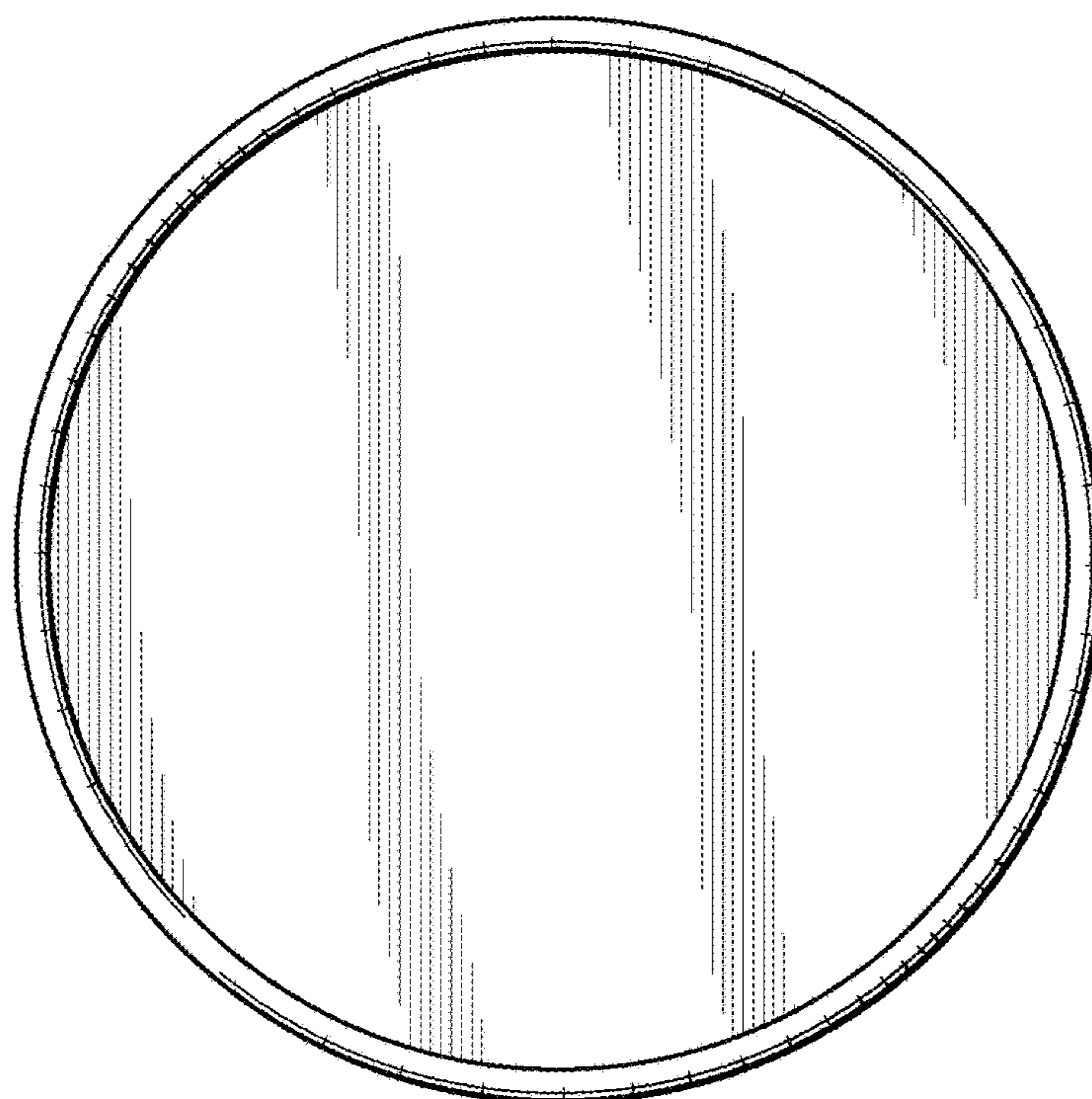


FIG. 8

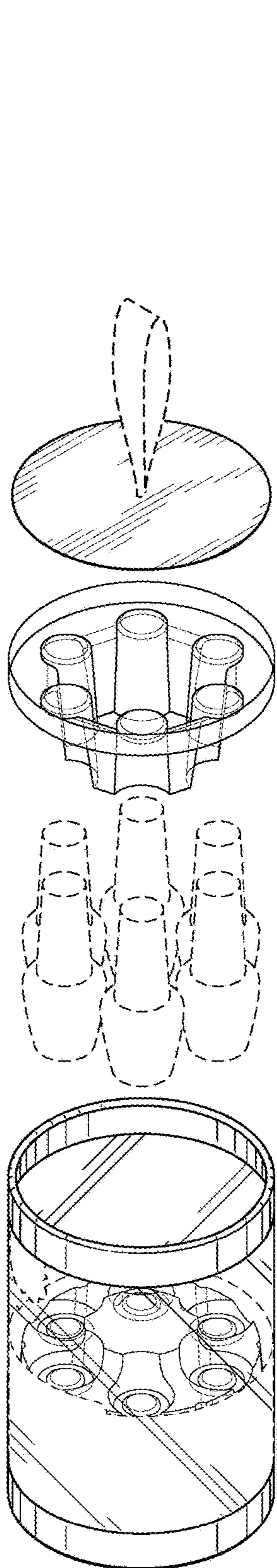


FIG. 9

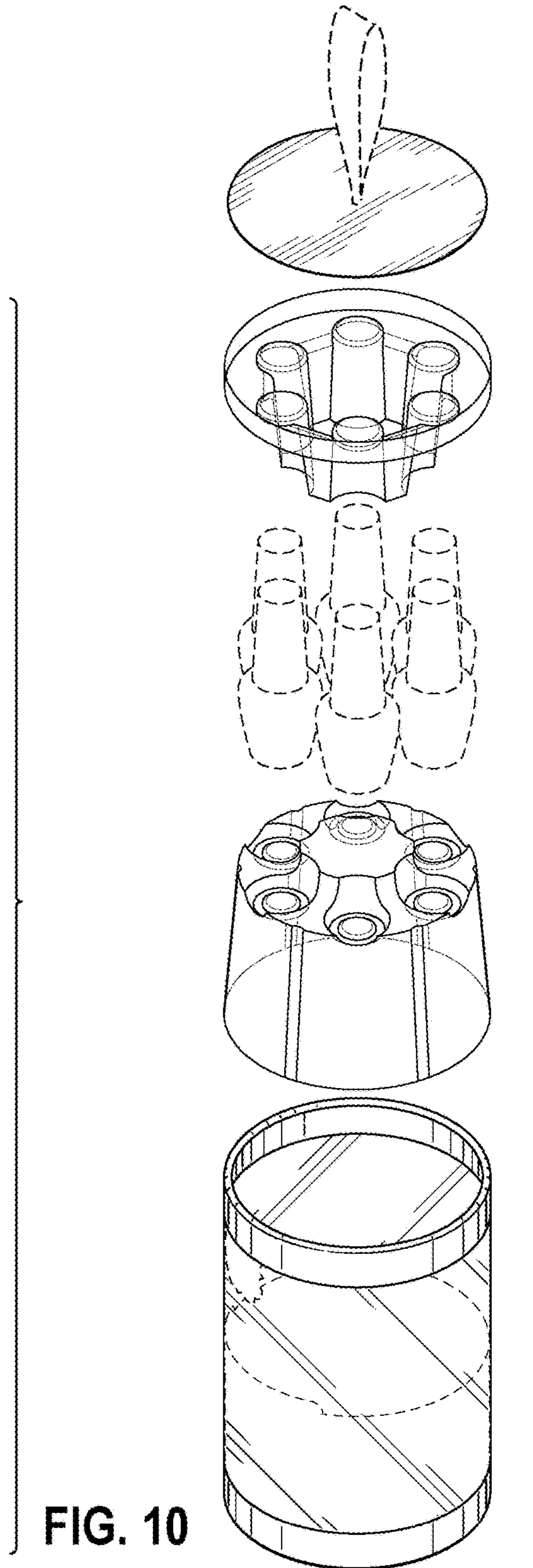


FIG. 10

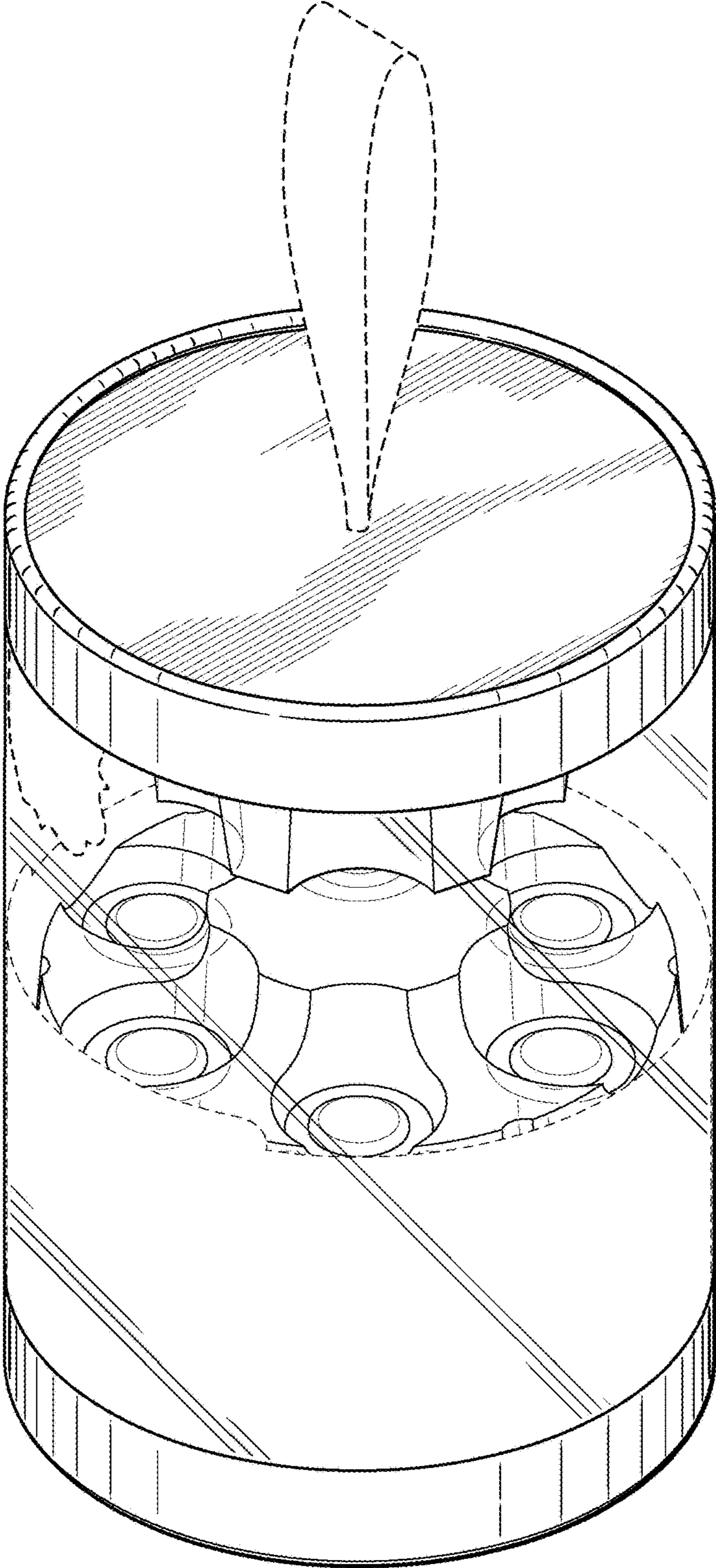


FIG. 11

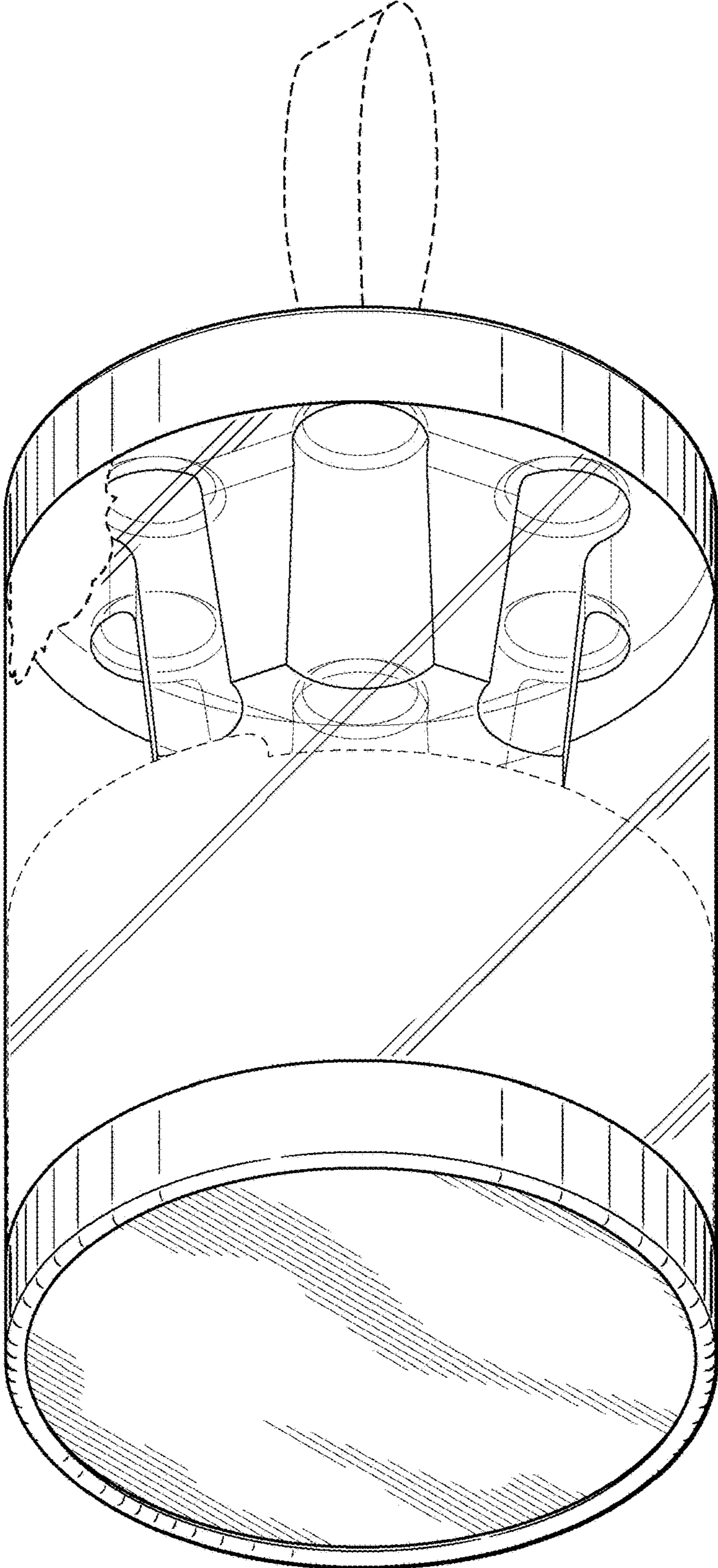


FIG. 12

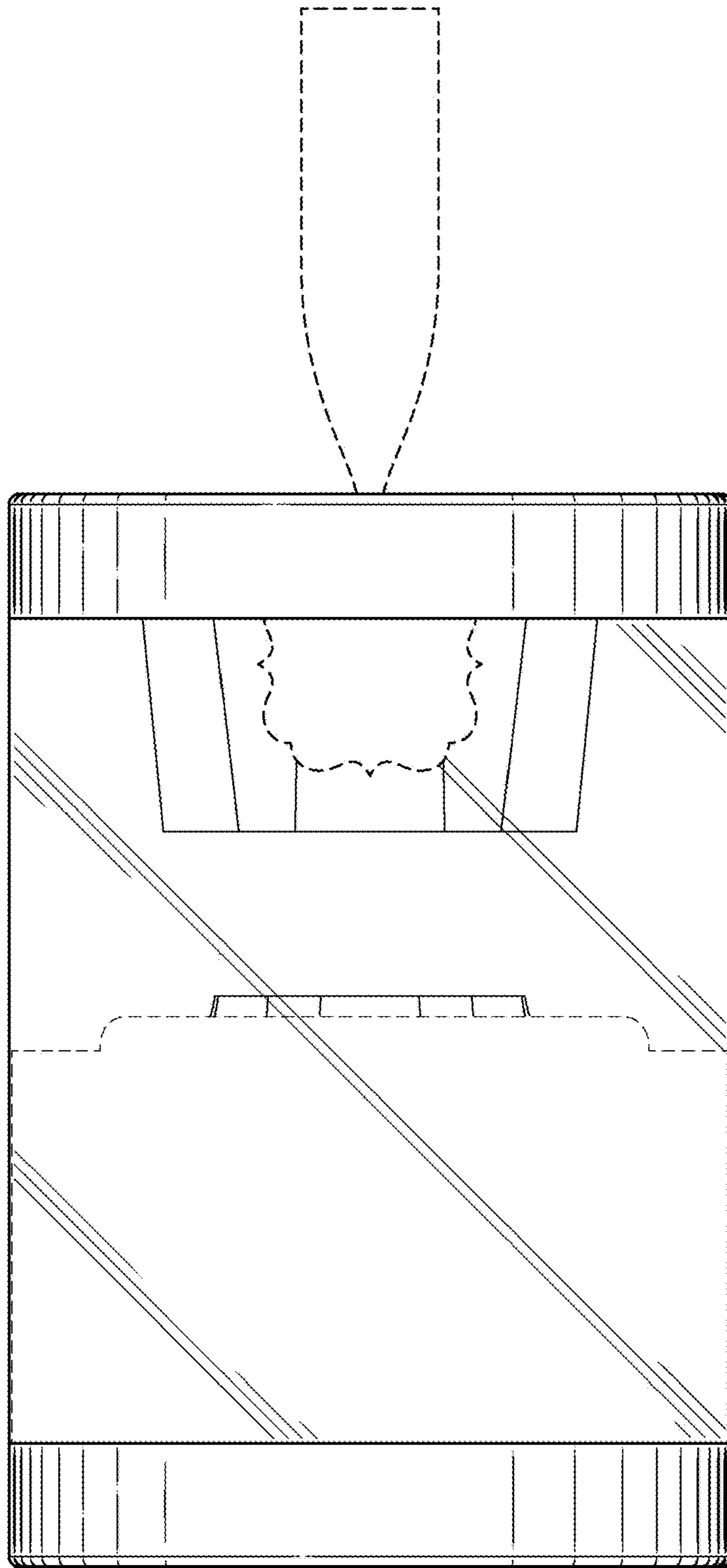


FIG. 13

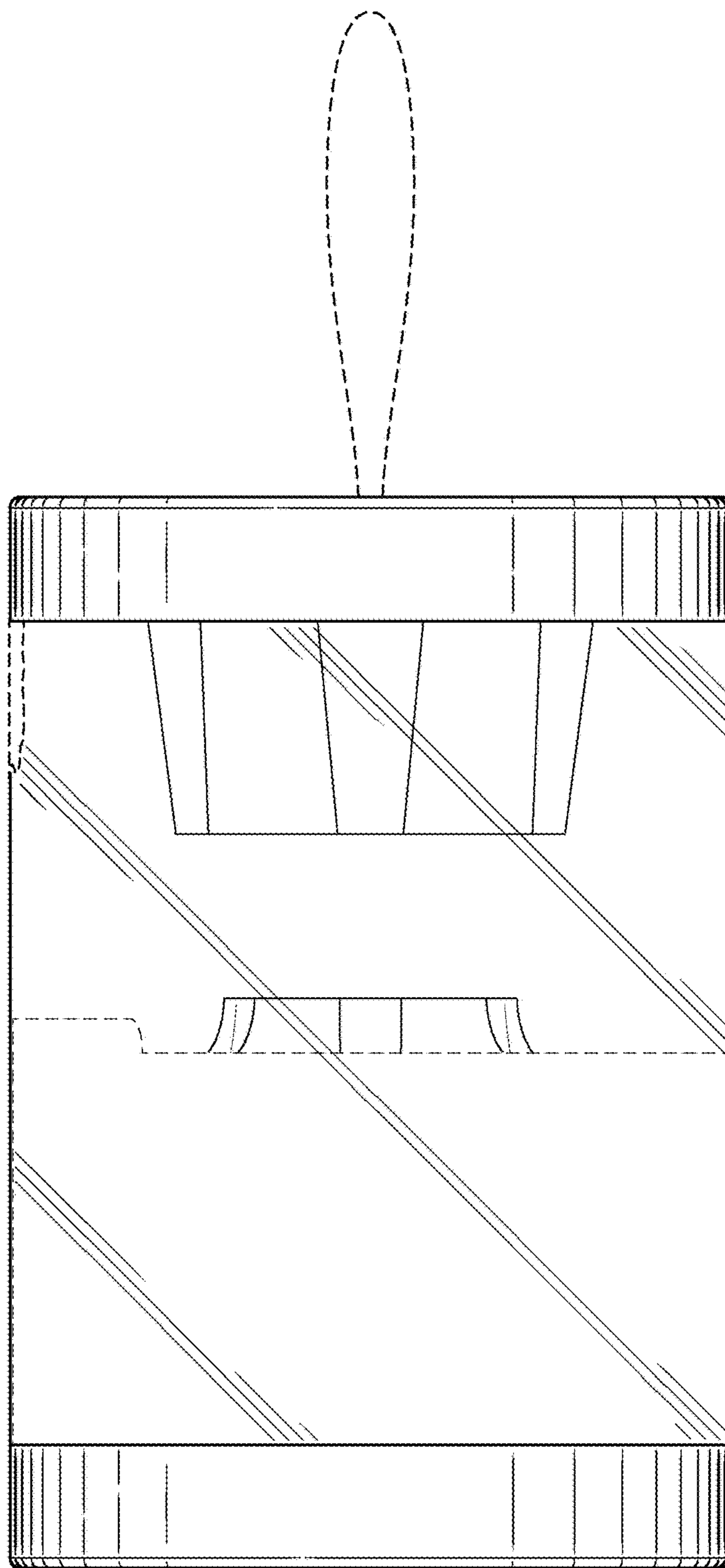


FIG. 14

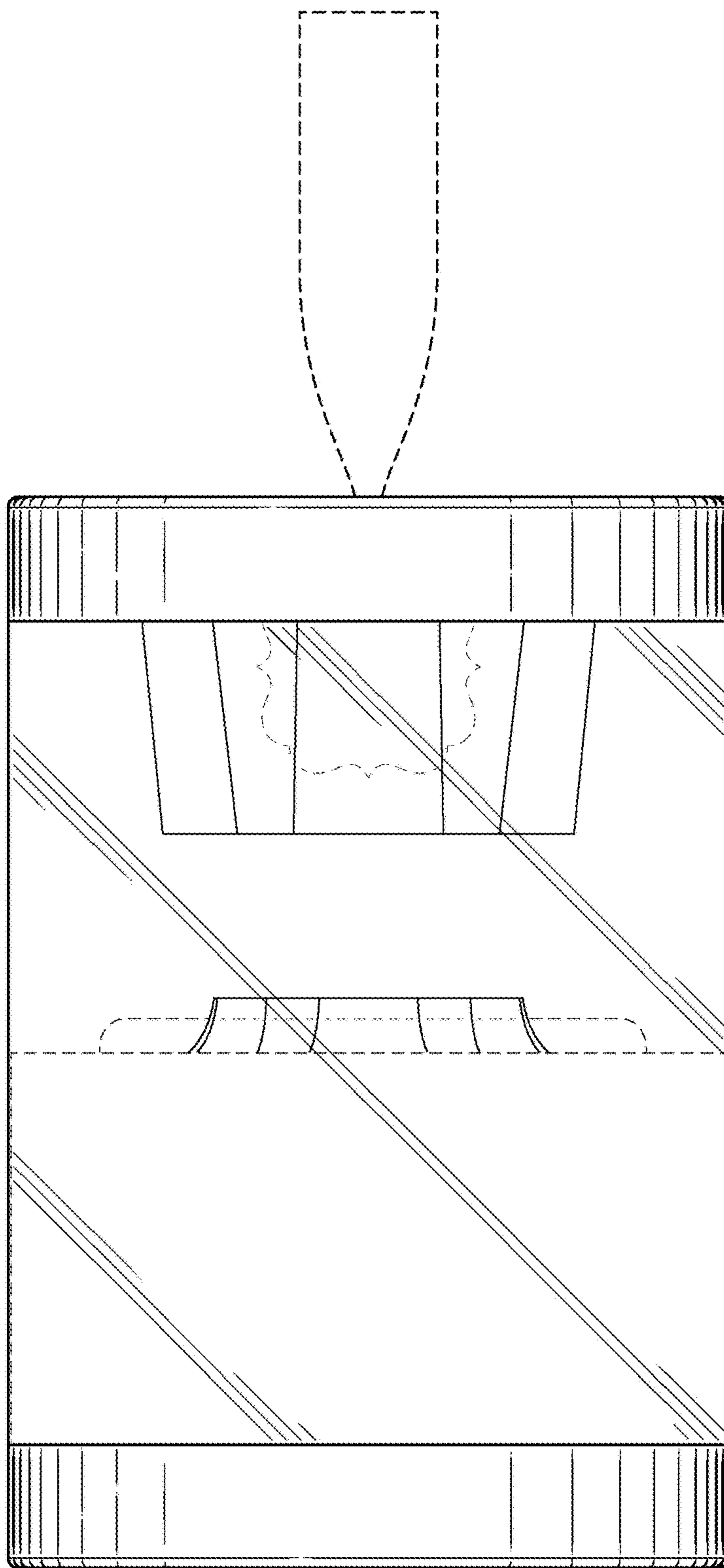


FIG. 15

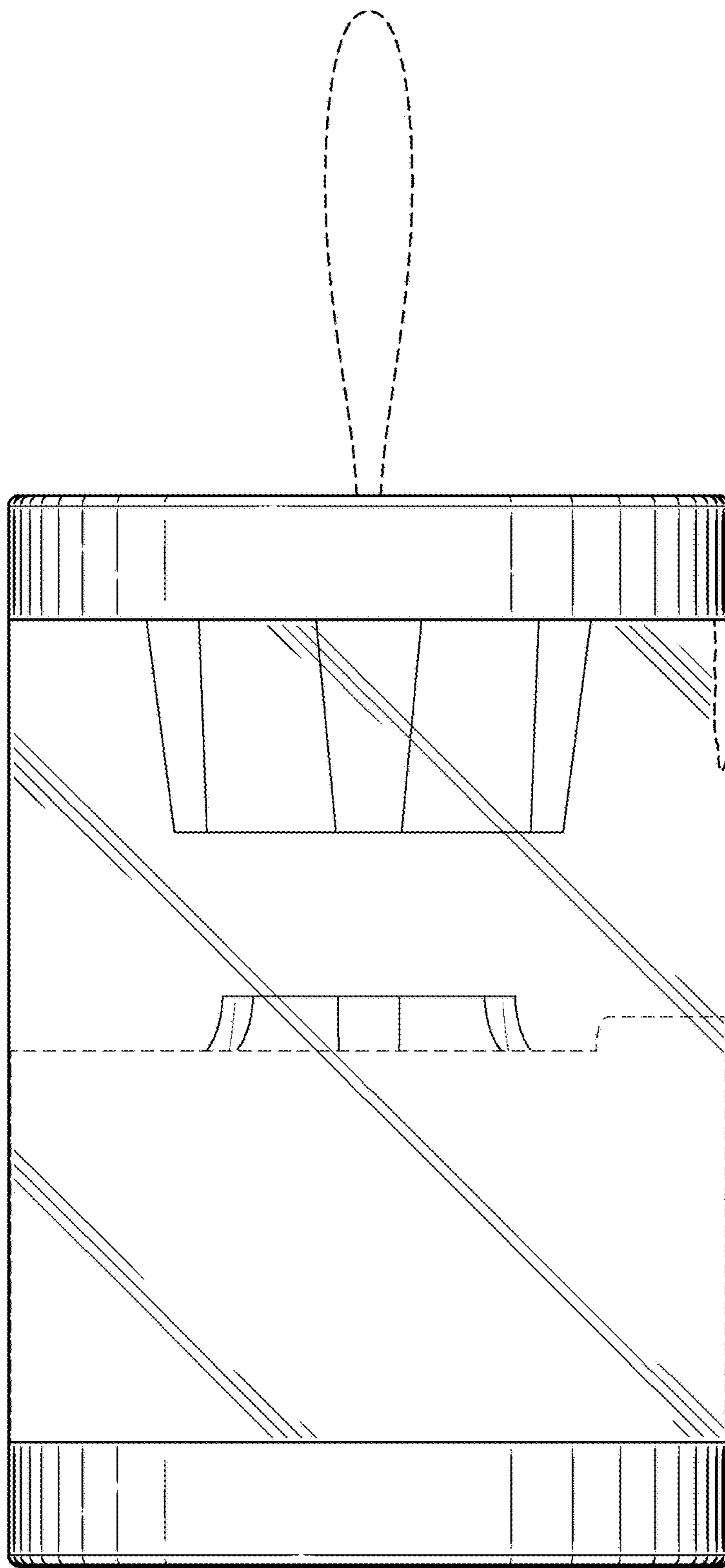


FIG. 16



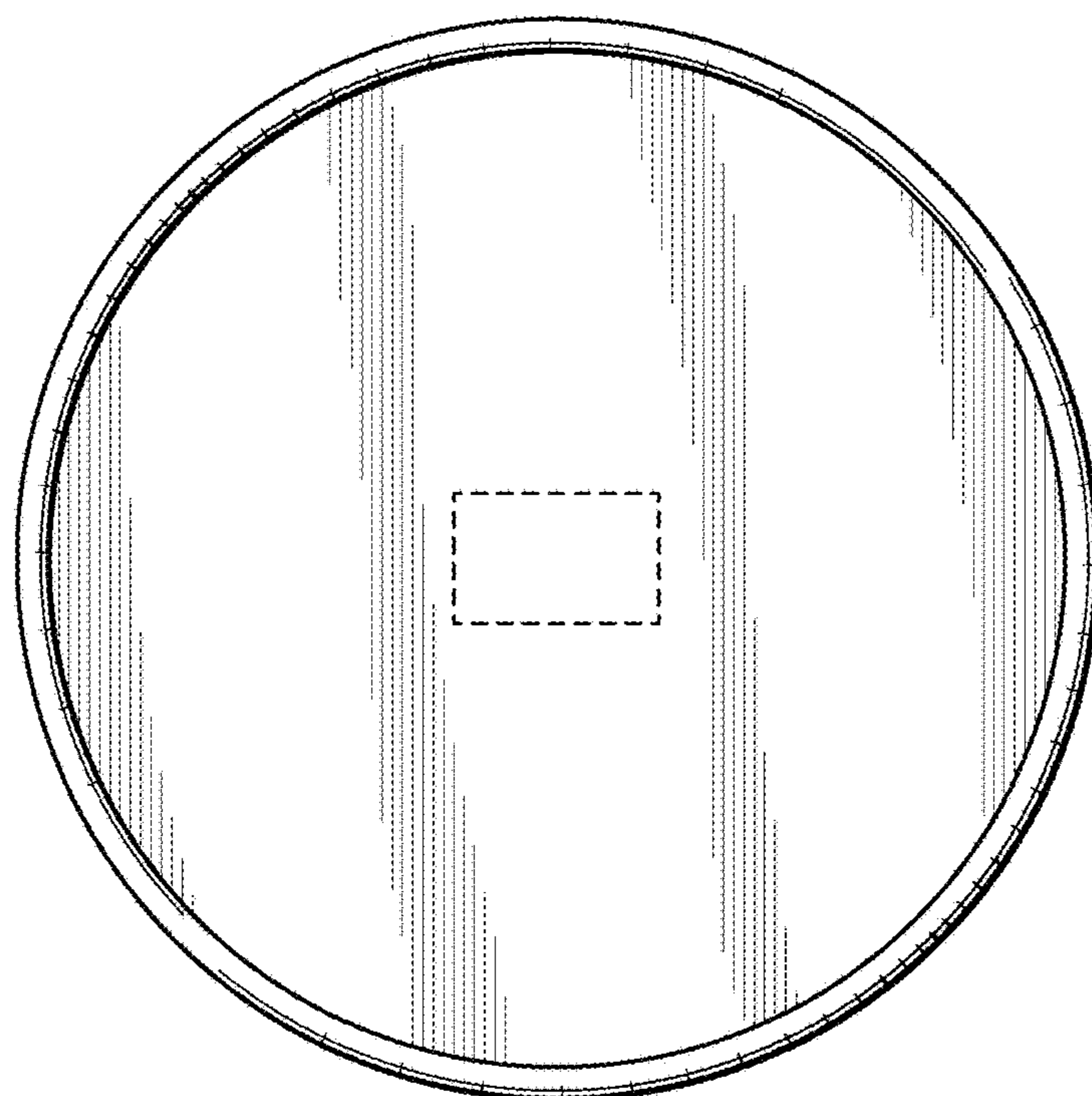


FIG. 17

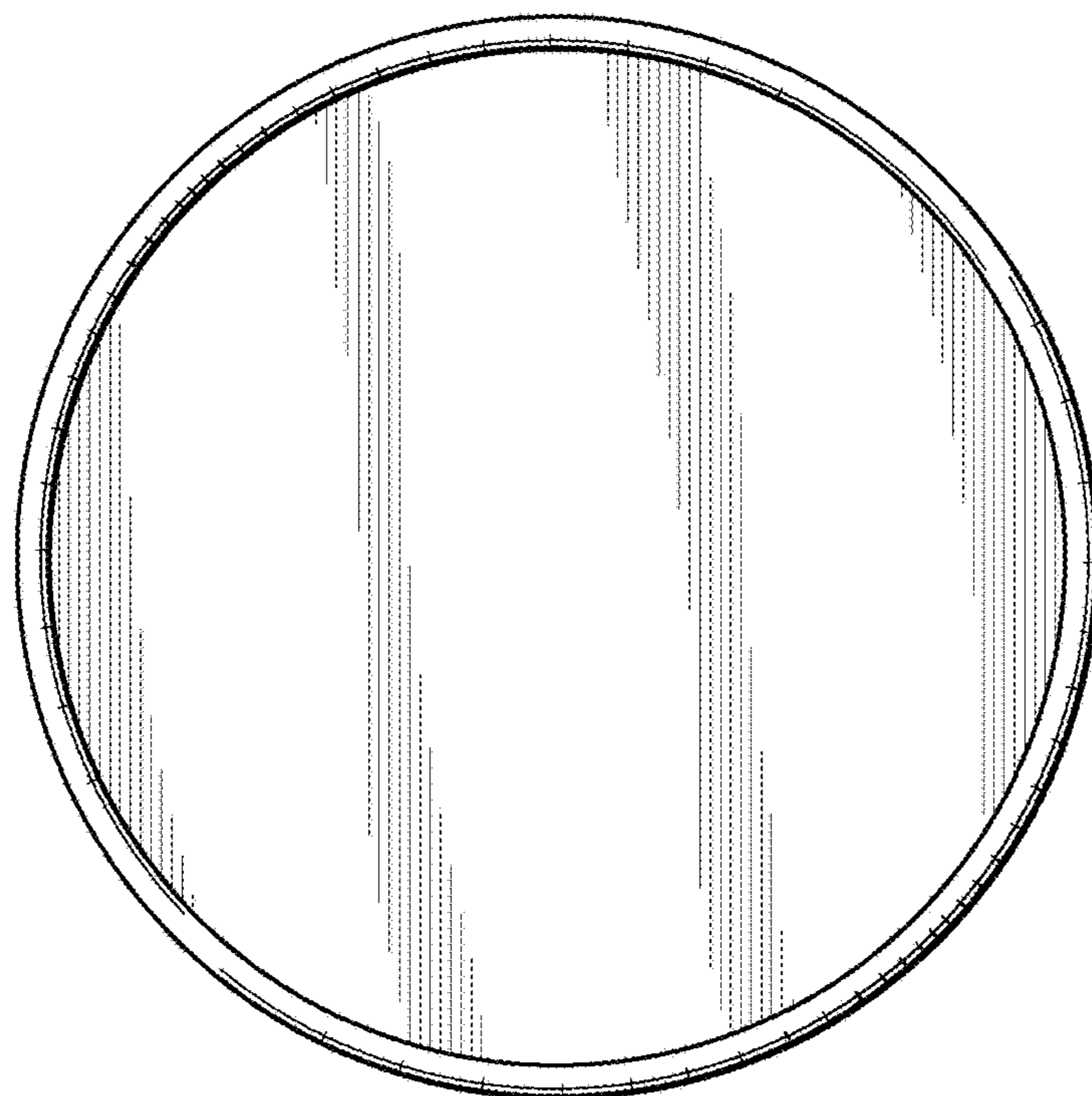


FIG. 18

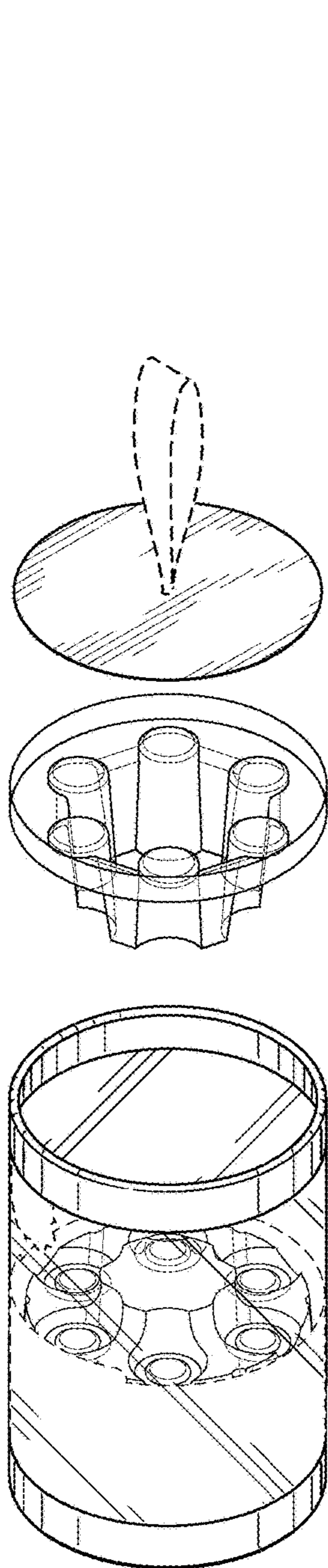


FIG. 19

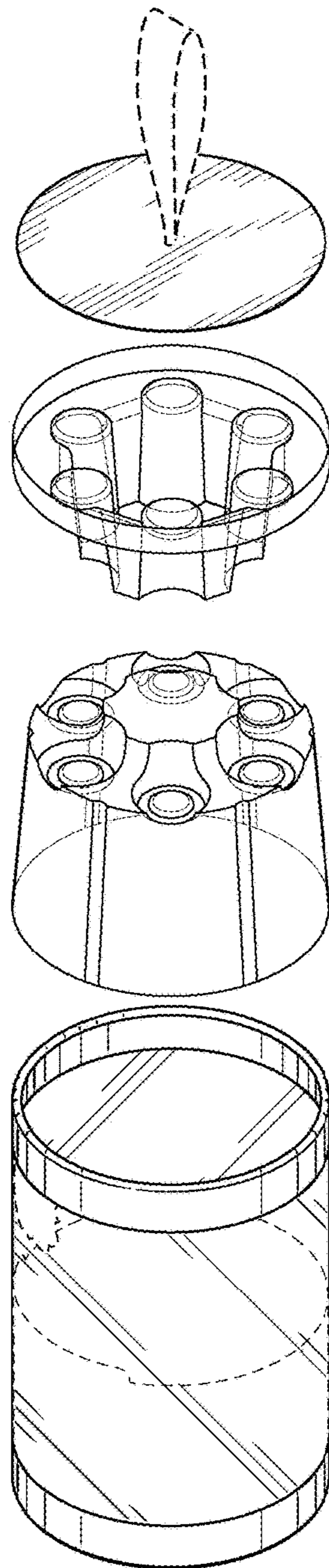


FIG. 20