



US00D815517S

(12) **United States Design Patent**
Van Fleet

(10) **Patent No.:** **US D815,517 S**
(45) **Date of Patent:** **** Apr. 17, 2018**

- (54) **FLAG GRIP**
- (71) Applicant: **Sandra Van Fleet**, Spring, TX (US)
- (72) Inventor: **Sandra Van Fleet**, Spring, TX (US)
- (**) Term: **15 Years**
- (21) Appl. No.: **29/534,134**
- (22) Filed: **Jul. 27, 2015**
- (51) **LOC (11) Cl.** **08-08**
- (52) **U.S. Cl.**
USPC **D8/396**
- (58) **Field of Classification Search**
USPC D8/349–356, 373, 394–396, 400
CPC H01R 11/11; H01R 11/281; F16L 23/036;
F16L 3/13; F16L 3/1058; E04B 2/74;
E04B 2/7442; G09F 17/00
See application file for complete search history.

- D363,211 S * 10/1995 Noble D8/371
- D367,999 S * 3/1996 McCallum D6/553
- D375,453 S * 11/1996 Fleck D8/395
- D376,973 S * 12/1996 Brown D8/395
- D378,053 S * 2/1997 Forbis D8/358
- 5,609,415 A * 3/1997 Protz, Jr. F21V 21/08
248/229.16
- D380,145 S * 6/1997 Rumpel D26/138
- 5,642,557 A * 7/1997 Clews E04B 2/7442
24/298
- D389,731 S * 1/1998 Forbis D8/395
- 5,735,230 A * 4/1998 Romesburg
- D401,005 S * 11/1998 Ludbrook D26/138
- D402,396 S * 12/1998 Protz, Jr. D26/138
- D405,828 S * 2/1999 Richter D19/65

(Continued)

Primary Examiner — Melanie H Tung
Assistant Examiner — Bao-Yen Nguyen
(74) *Attorney, Agent, or Firm* — Hanrahan Law Firm,
P.A.; Benjamin M. Hanrahan

(56) **References Cited**

U.S. PATENT DOCUMENTS

- 410,221 A 9/1889 Thompson
- 1,631,566 A 6/1927 Walton
- 2,409,411 A 10/1946 Zedler
- 2,906,234 A 9/1959 Scott
- 3,127,869 A 4/1964 Howland
- 3,353,567 A * 11/1967 Isreeli F04B 43/1223
138/106
- 4,002,349 A * 1/1977 Dopp A63C 11/021
280/809
- D267,231 S * 12/1982 Guem, Jr. D21/775
- D298,739 S * 11/1988 Richards, Jr. D22/110
- 4,805,479 A * 2/1989 Brightwell F16C 1/105
248/74.2
- 4,821,988 A * 4/1989 Jimenez A61G 5/10
248/227.3
- D319,575 S * 9/1991 Young D26/138
- 5,291,849 A 3/1994 Zeitler
- 5,332,090 A * 7/1994 Tucker A63B 55/408
206/315.3
- D350,947 S * 9/1994 Klinger D14/454

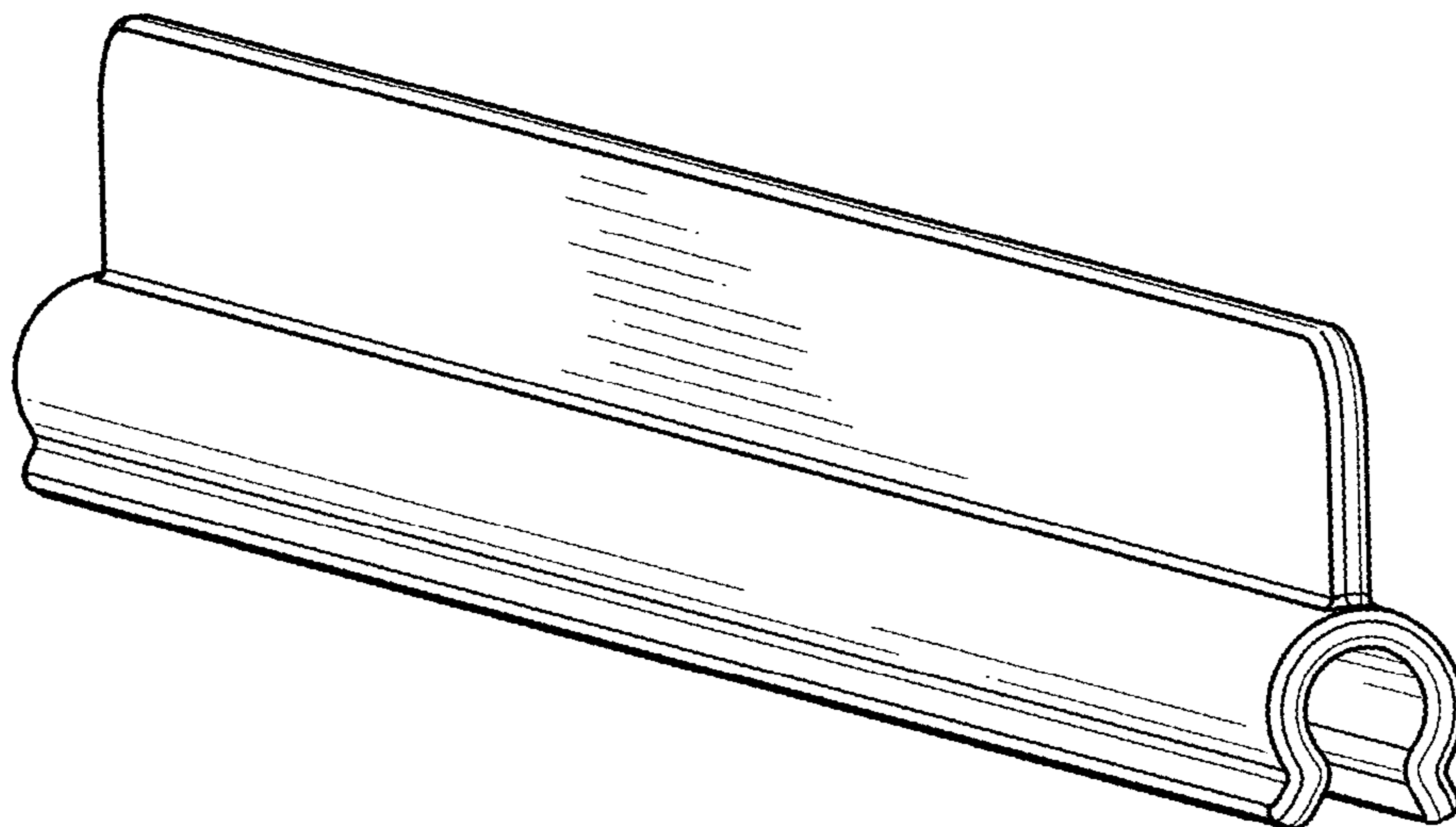
(57) **CLAIM**

The ornamental design for a flag grip, as shown and described.

DESCRIPTION

FIG. 1 is a front-right perspective view illustrating my/our design for a flag grip.
FIG. 2 is a front view thereof.
FIG. 3 is a right side view thereof.
FIG. 4 is a left side view thereof.
FIG. 5 is a rear view thereof.
FIG. 6 is a top view thereof.
FIG. 7 is a bottom view thereof; and,
FIG. 8 is another front-right perspective view thereof.
The broken lines shown in FIG. 8 are included for purposes of illustrating use and environment and form no part of the claimed design.

1 Claim, 6 Drawing Sheets



(56)

References Cited

U.S. PATENT DOCUMENTS

D406,051 S * 2/1999 Ross D8/395
 D417,141 S * 11/1999 Senninger D8/395
 D417,612 S * 12/1999 Jones D26/138
 D423,994 S * 5/2000 Helwig D12/133
 D425,771 S * 5/2000 Dearing D8/71
 D431,182 S * 9/2000 Szukhent, Jr. D25/125
 D432,404 S * 10/2000 Garfinkle D8/395
 D440,005 S * 4/2001 Blanton 24/16 R
 6,293,221 B1 9/2001 Kinahan
 6,402,116 B1 6/2002 Northup
 6,619,479 B2 9/2003 Jones et al.
 D483,254 S * 12/2003 Sels D8/394
 D504,062 S * 4/2005 Gerrits D8/394
 6,899,053 B2 5/2005 Hawkins
 6,923,141 B1 8/2005 Staats et al.
 6,935,268 B1 8/2005 Hawkins

D518,261 S * 3/2006 Varga D32/35
 7,086,346 B1 8/2006 Van Horn et al.
 D537,329 S * 2/2007 Blanton D8/395
 D560,482 S * 1/2008 Casteel D8/395
 D568,706 S * 5/2008 Weiby D8/72
 D568,707 S * 5/2008 Weiby D8/72
 D593,852 S * 6/2009 Hoebeek D8/394
 D606,379 S * 12/2009 Hughes D8/394
 D606,391 S * 12/2009 Hughes D8/394
 D629,679 S * 12/2010 Riddell D8/394
 D638,285 S * 5/2011 Lundborg D8/394
 D660,690 S * 5/2012 Mixides D8/396
 D747,636 S * 1/2016 Maher D8/72
 D760,583 S * 7/2016 Weilage D8/395
 D770,267 S * 11/2016 Roan D8/395
 2005/0235902 A1 10/2005 Evans
 2007/0044703 A1 3/2007 Vickroy
 2012/0111259 A1 5/2012 Swisher et al.
 2013/0319316 A1 12/2013 Shapiro et al.

* cited by examiner

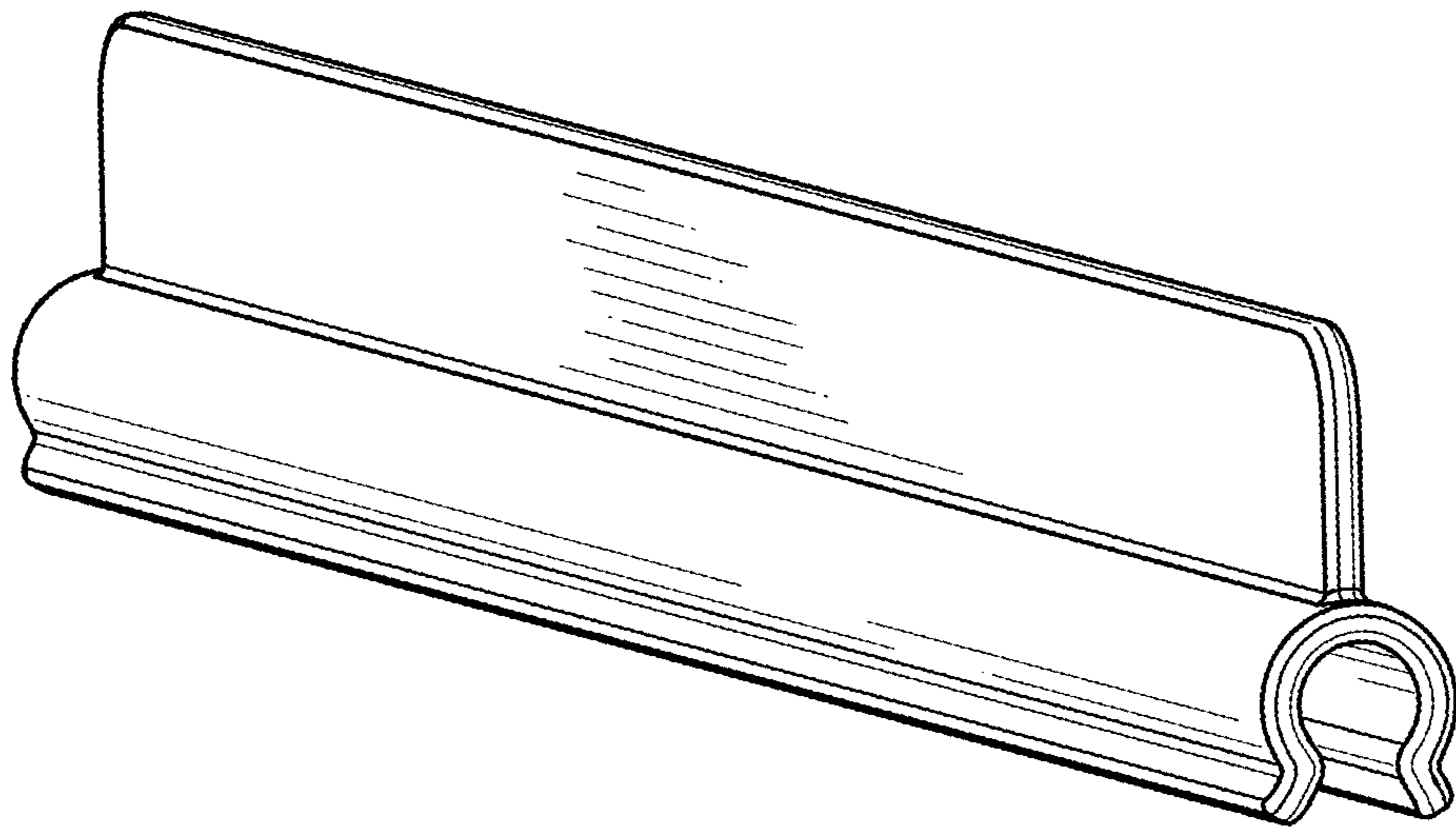


FIG. 1

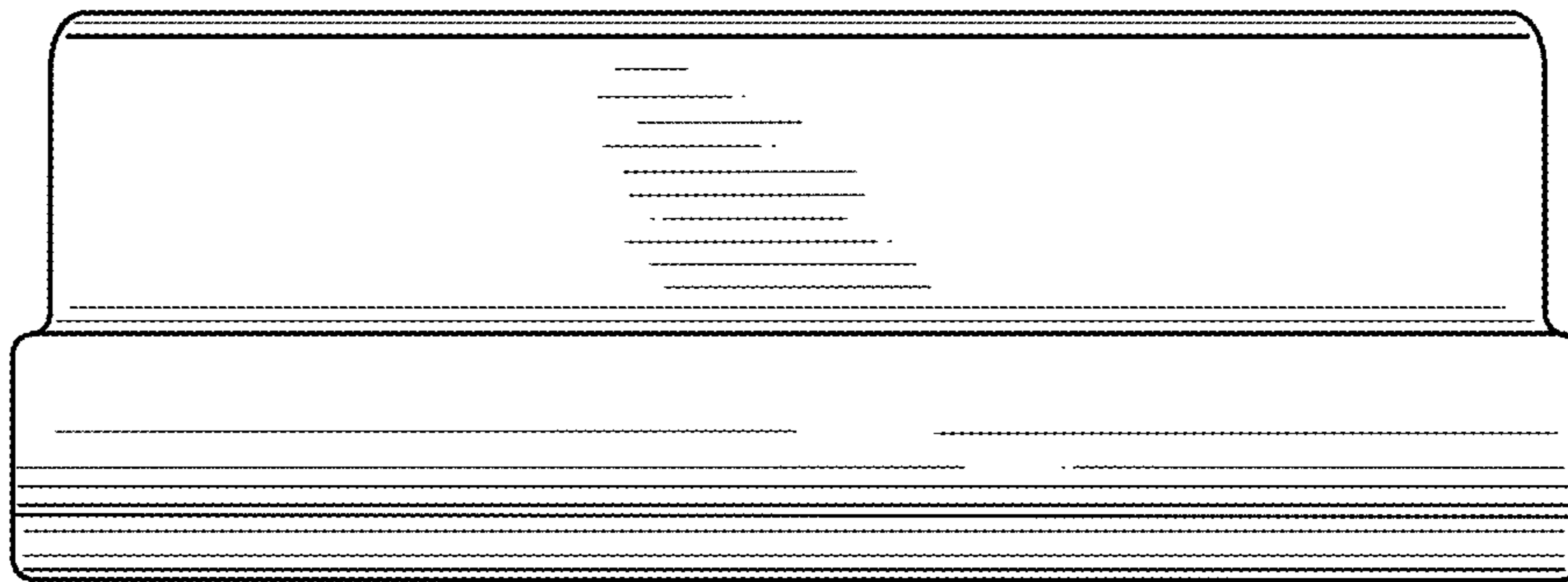


FIG. 2

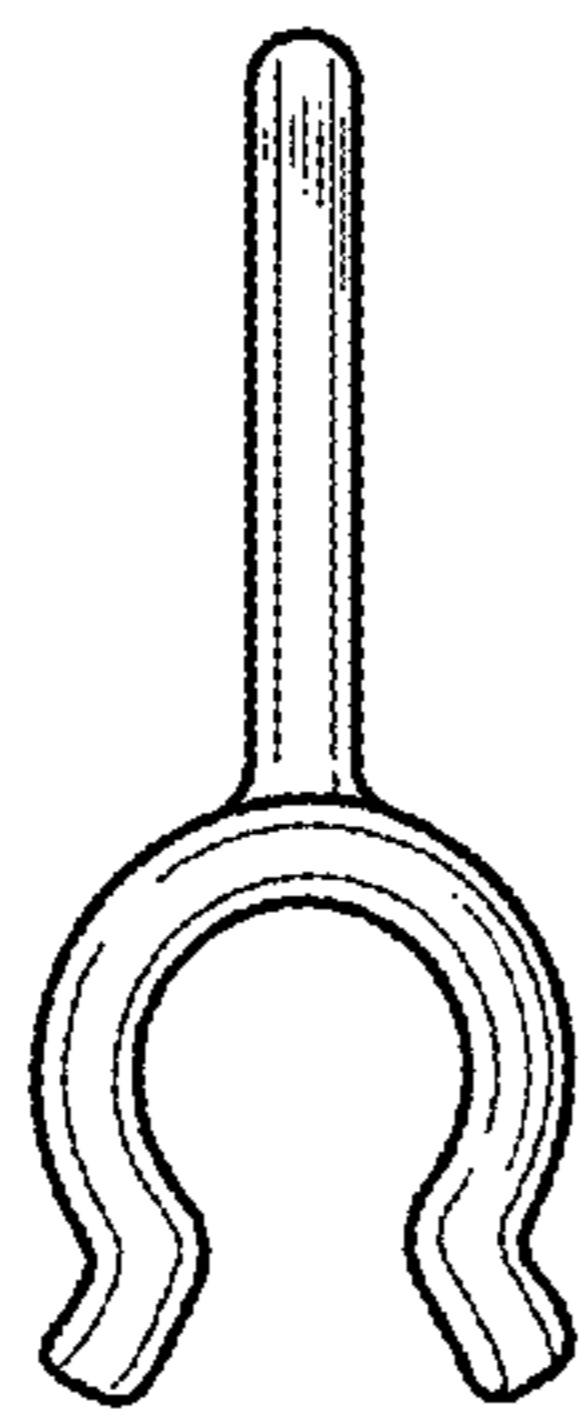


FIG. 3

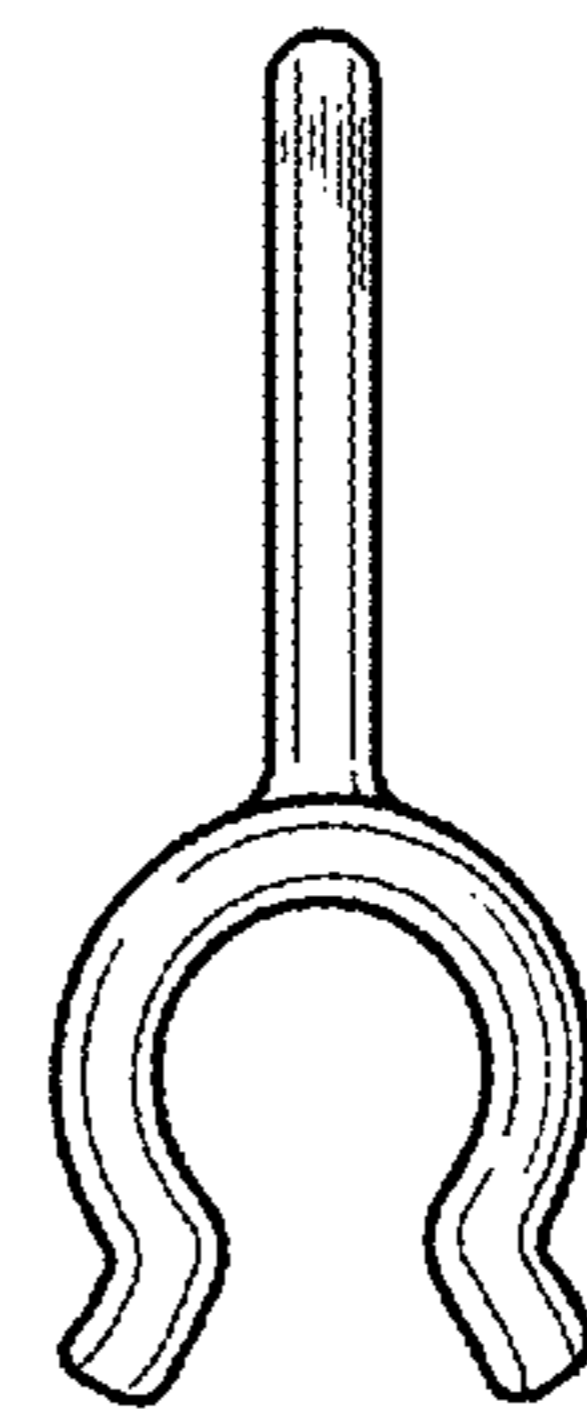


FIG. 4

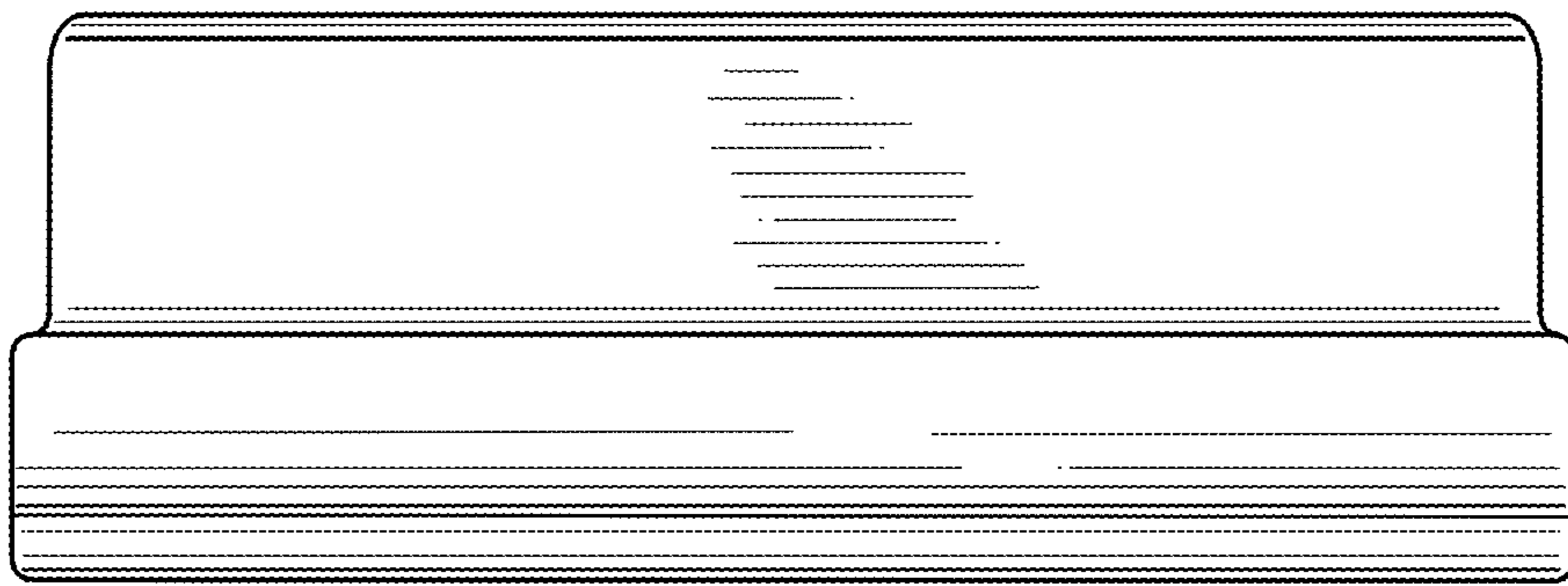


FIG. 5

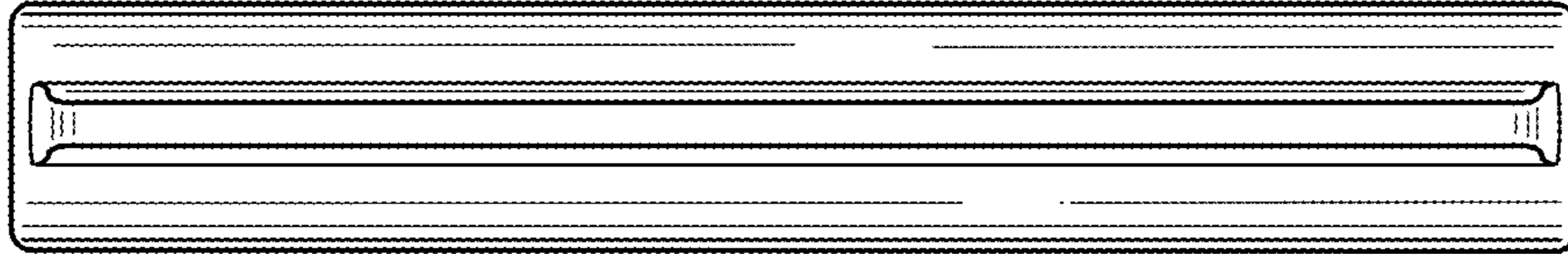


FIG. 6

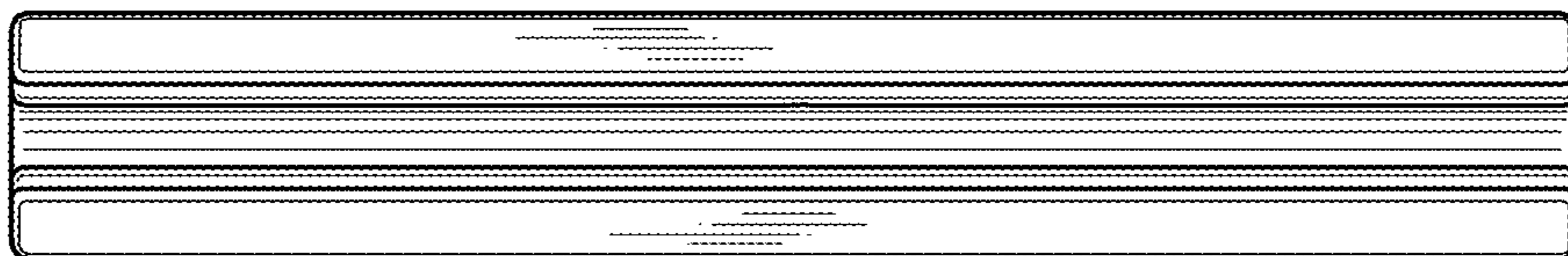


FIG. 7

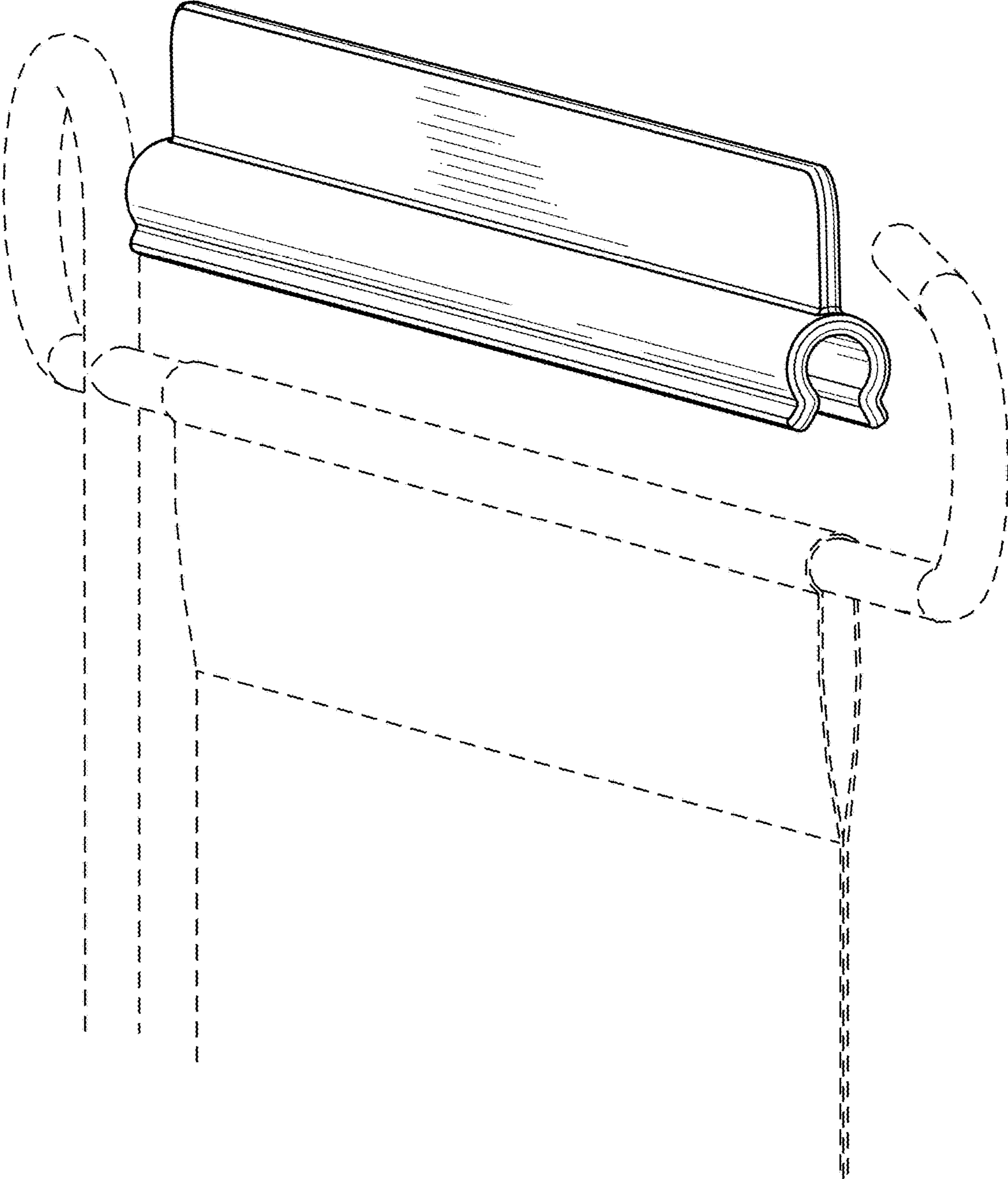


FIG. 8