



US00D815516S

(12) **United States Design Patent**
Karmarkar et al.

(10) **Patent No.:** **US D815,516 S**
(45) **Date of Patent:** **** Apr. 17, 2018**

(54) **CONNECTOR JOINT**

(71) Applicant: **General Electric Company**,
Schenectady, NY (US)
(72) Inventors: **Uday Prakash Karmarkar**, Erie, PA
(US); **William Martin**, Harrisville, PA
(US)
(73) Assignee: **General Electric Company**,
Schenectady, NY (US)

(**) Term: **15 Years**

(21) Appl. No.: **29/547,943**

(22) Filed: **Dec. 9, 2015**

Related U.S. Application Data

(63) Continuation-in-part of application No. 29/501,205,
filed on Sep. 2, 2014, now abandoned.

(51) **LOC (11) Cl.** **08-08**

(52) **U.S. Cl.**
USPC **D8/382**

(58) **Field of Classification Search**
USPC D8/33, 349, 382, 383, 394, 396, 397,
D8/399, 499; D23/259, 260, 262, 263,
D23/264, 265, 266, 303, 499
CPC F16L 19/055; F16L 33/223; F16L 37/138;
F16L 33/22; F16L 21/02; F16L 19/00;
F16L 33/00; F16L 33/28; F16L 37/08;
F16L 19/07; F16L 47/04; F16L 9/06;
F16L 9/047; F16L 15/007; F16L 19/02;
F16L 19/005; F16L 19/0218; F16L
25/0054; F16L 51/03

See application file for complete search history.

(56) **References Cited**

U.S. PATENT DOCUMENTS

4,561,134 A * 12/1985 Mathews E04H 4/12
4/496
4,927,189 A * 5/1990 Burkit F16L 41/08
285/109

D320,841 S * 10/1991 Breadmont D23/262
5,072,072 A * 12/1991 Bawa H02G 3/0691
174/655
5,174,615 A * 12/1992 Foster F16L 23/16
285/334.2
5,377,361 A * 1/1995 Piskula E03D 11/16
138/90
D452,428 S * 12/2001 Shinjo D8/397
D462,256 S * 9/2002 Jaynes D12/160

(Continued)

Primary Examiner — Sandra S Snapp

Assistant Examiner — Iesha N Price

(74) *Attorney, Agent, or Firm* — GE Global Patent
Operation; John A. Kramer

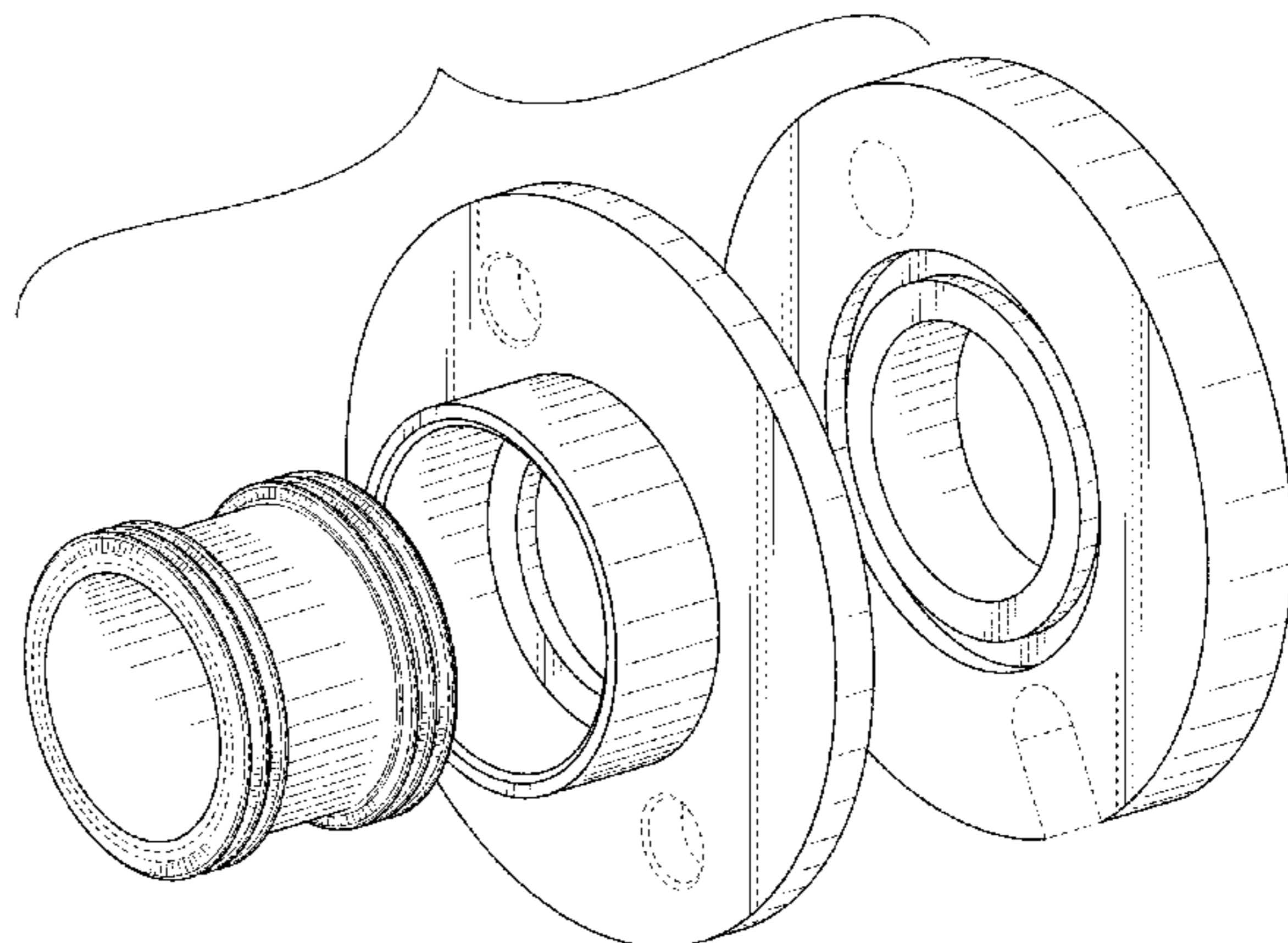
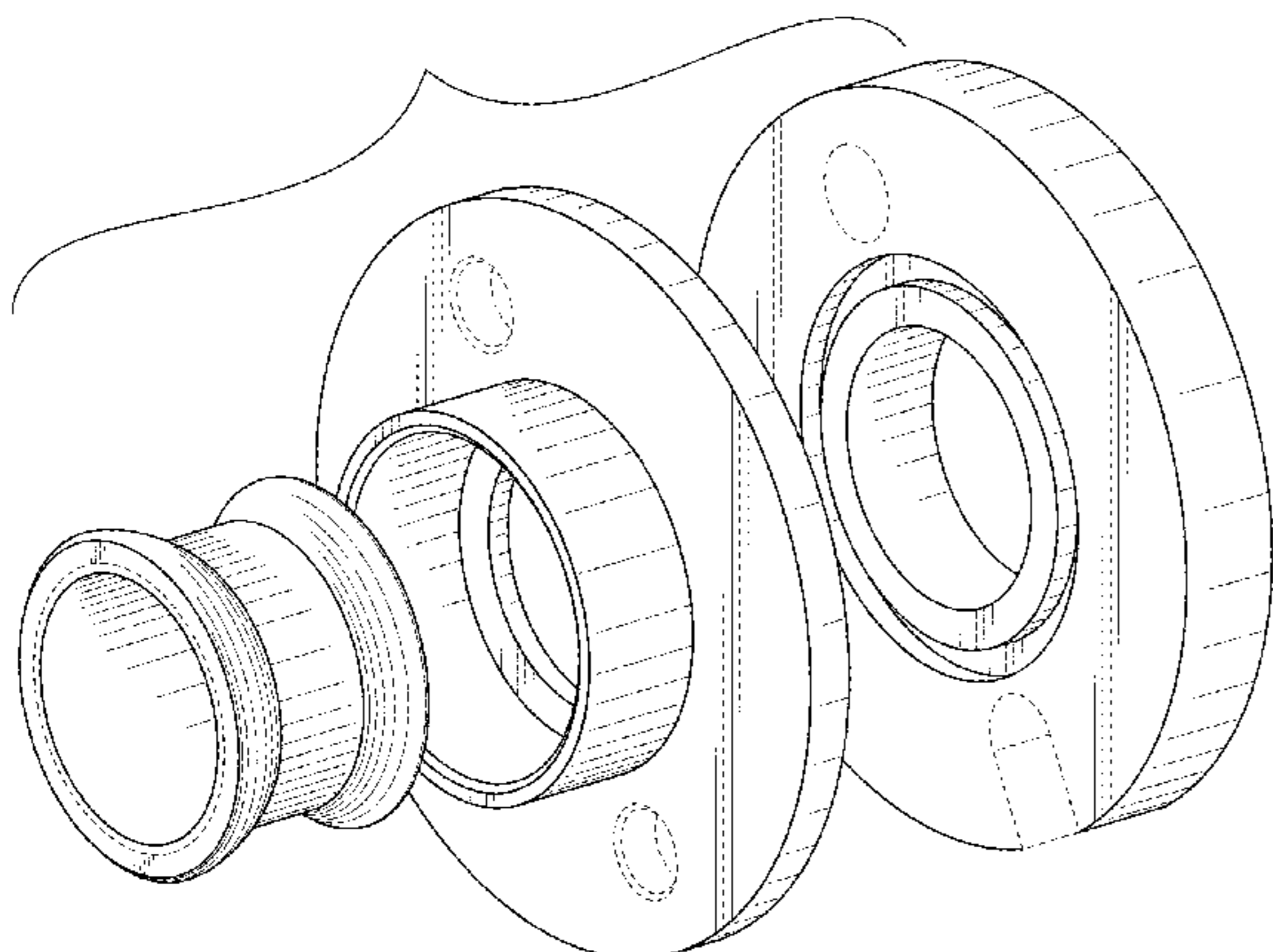
(57) **CLAIM**

The ornamental design for a connector joint, as shown and
described.

DESCRIPTION

FIG. 1 is a perspective exploded view of a connector joint
showing a first embodiment of our new design.
FIG. 2 is a front view of the connector joint of FIG. 1.
FIG. 3 is a back view of the connector joint of FIG. 1.
FIG. 4 is a top view of the connector joint of FIG. 1.
FIG. 5 is a bottom view of the connector joint of FIG. 1.
FIG. 6 is a perspective exploded view of a connector joint
showing a second embodiment of our new design.
FIG. 7 is a front view of the connector joint of FIG. 6.
FIG. 8 is a back view of the connector joint of FIG. 6.
FIG. 9 is a top view of the connector joint of FIG. 6; and,
FIG. 10 is a bottom view of the connector joint of FIG. 6.
The broken line portion of the figures is included to show
unclaimed subject matter only and forms no part of the
claimed design.

1 Claim, 6 Drawing Sheets



(56)

References Cited

U.S. PATENT DOCUMENTS

D531,888	S *	11/2006	Barnes	D8/382
7,341,286	B2 *	3/2008	Andre	F16L 37/091
				285/104
D613,827	S *	4/2010	Damaske	D23/259
D703,519	S *	4/2014	Senseney	D8/382
D703,524	S *	4/2014	Sakoda	D8/397
D719,244	S *	12/2014	Yang	D23/262
D723,667	S *	3/2015	Locke	D23/266
D741,700	S *	10/2015	Mock	F16C 35/02
				D8/396
D742,214	S *	11/2015	Yuan	D8/399
D745,949	S *	12/2015	Meyer	D23/259
D762,825	S *	8/2016	Walker	D23/259
D770,266	S *	11/2016	Tar	D8/382
D776,245	S *	1/2017	Yu	D23/259
D782,620	S *	3/2017	Becker	D23/259
2005/0151370	A1 *	7/2005	Vyse	F16L 19/005
				285/92
2005/0194786	A1 *	9/2005	McCord	F16L 19/005
				285/386
2014/0101834	A1 *	4/2014	Ball	E03C 1/26
				4/286

* cited by examiner

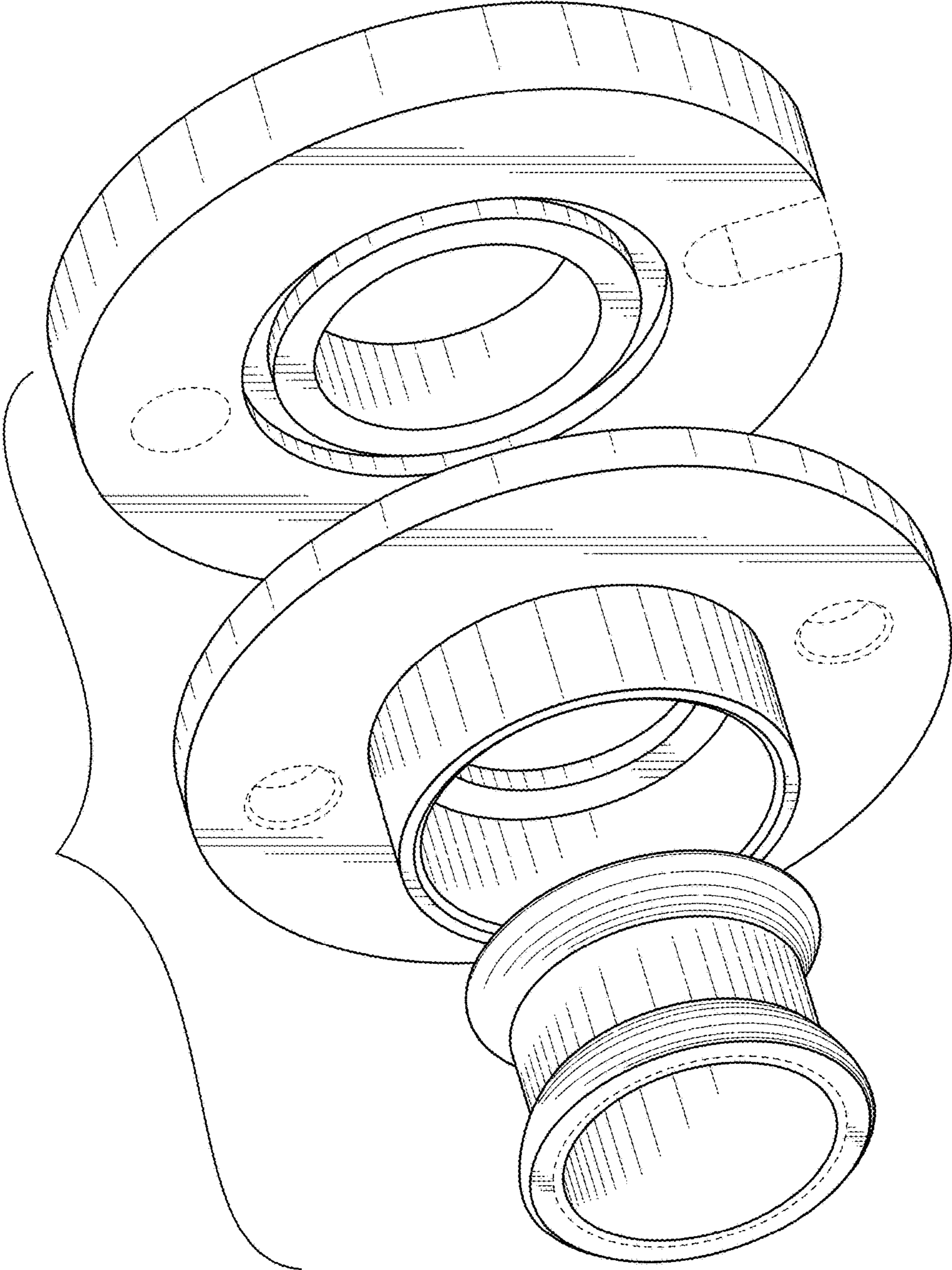


FIG. 1

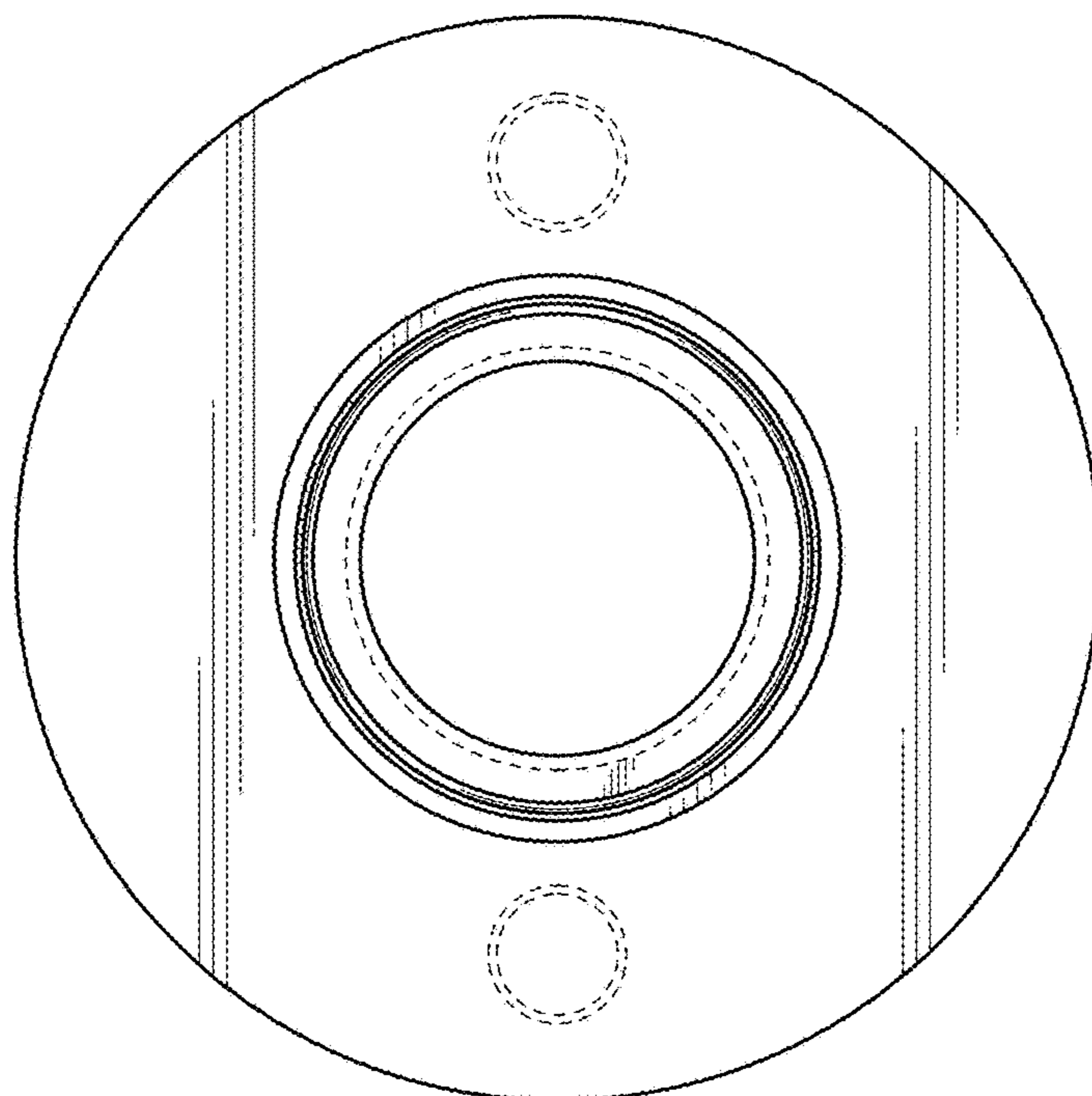


FIG. 2

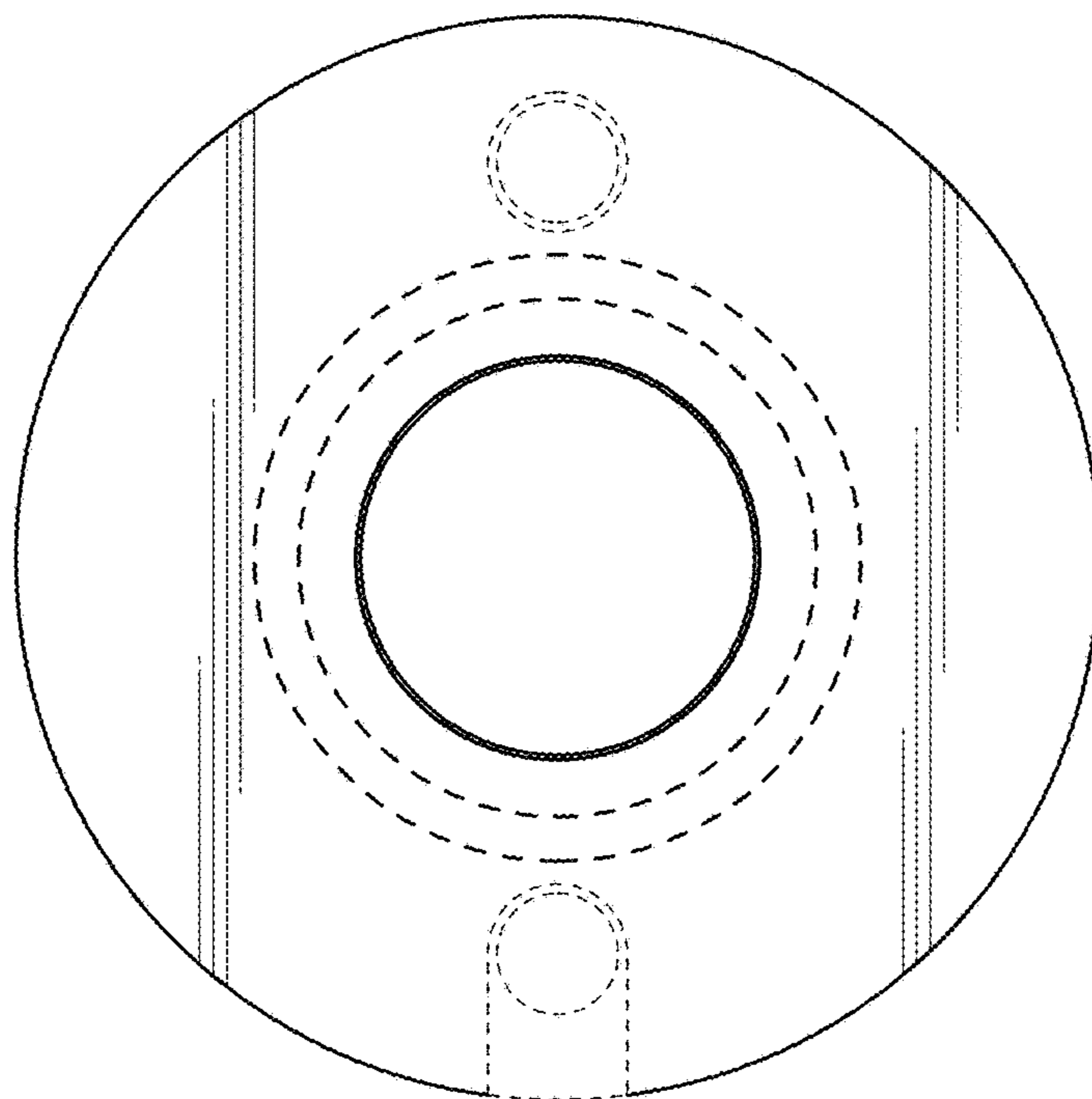


FIG. 3

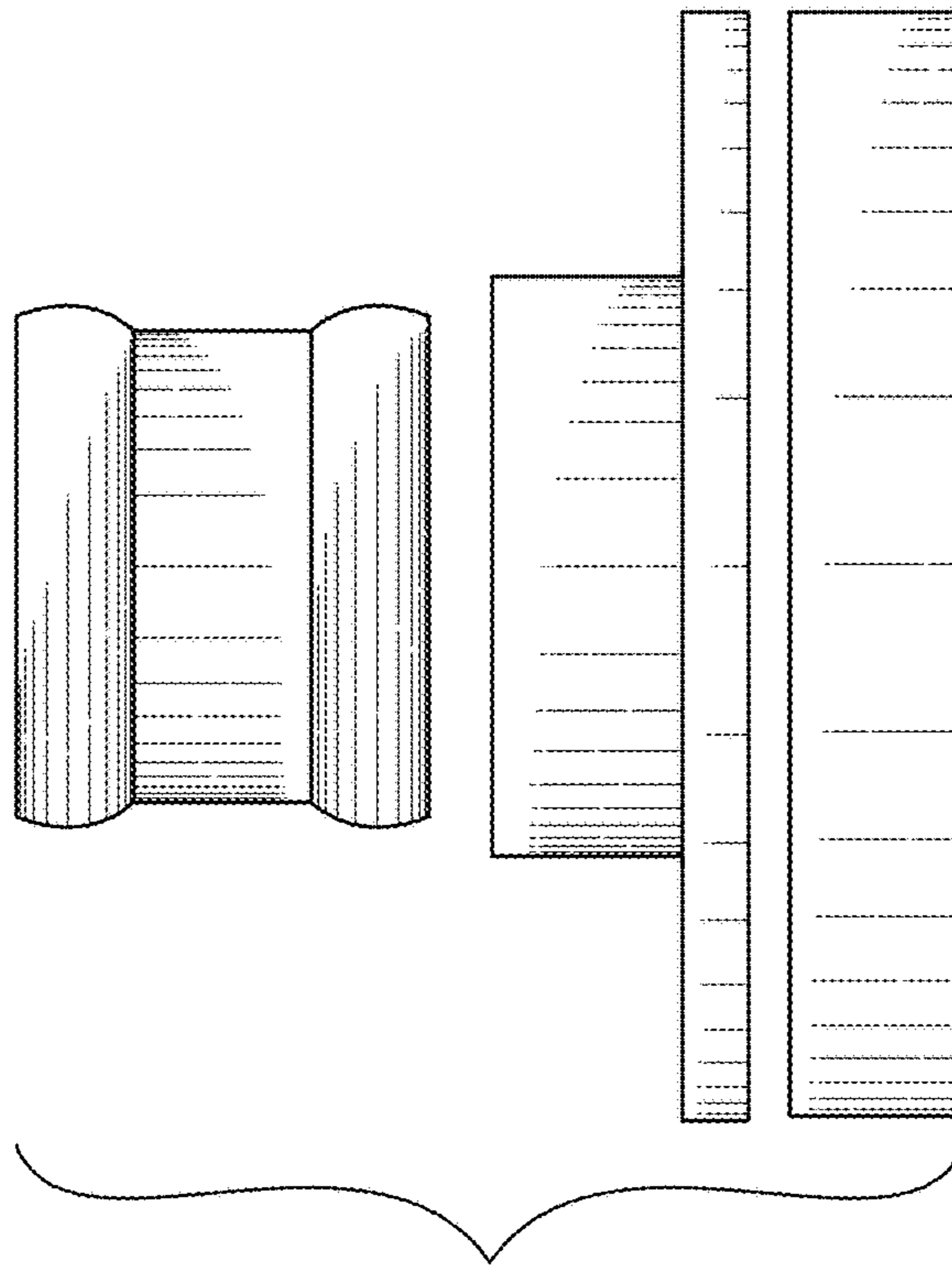


FIG. 4

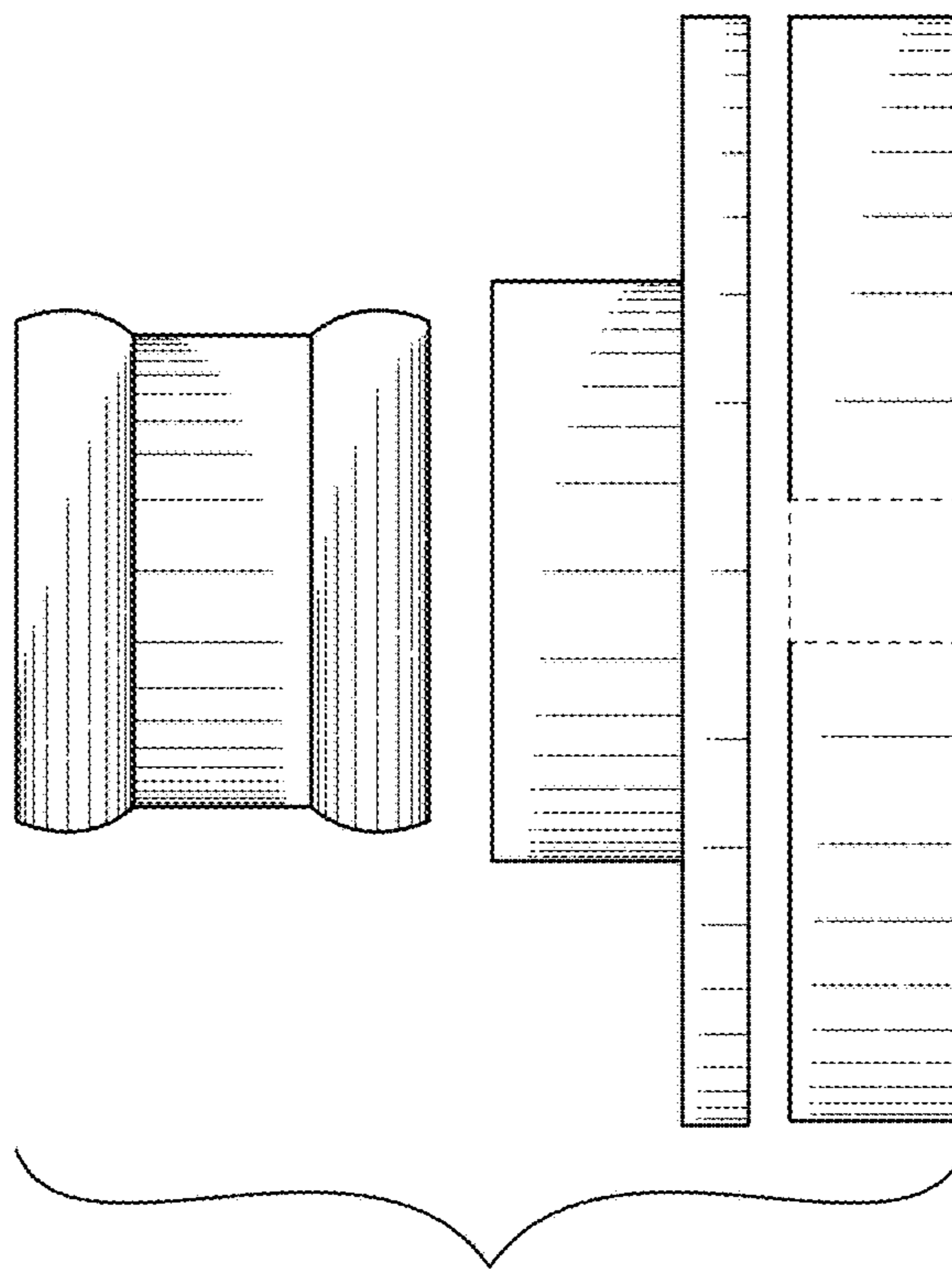


FIG. 5

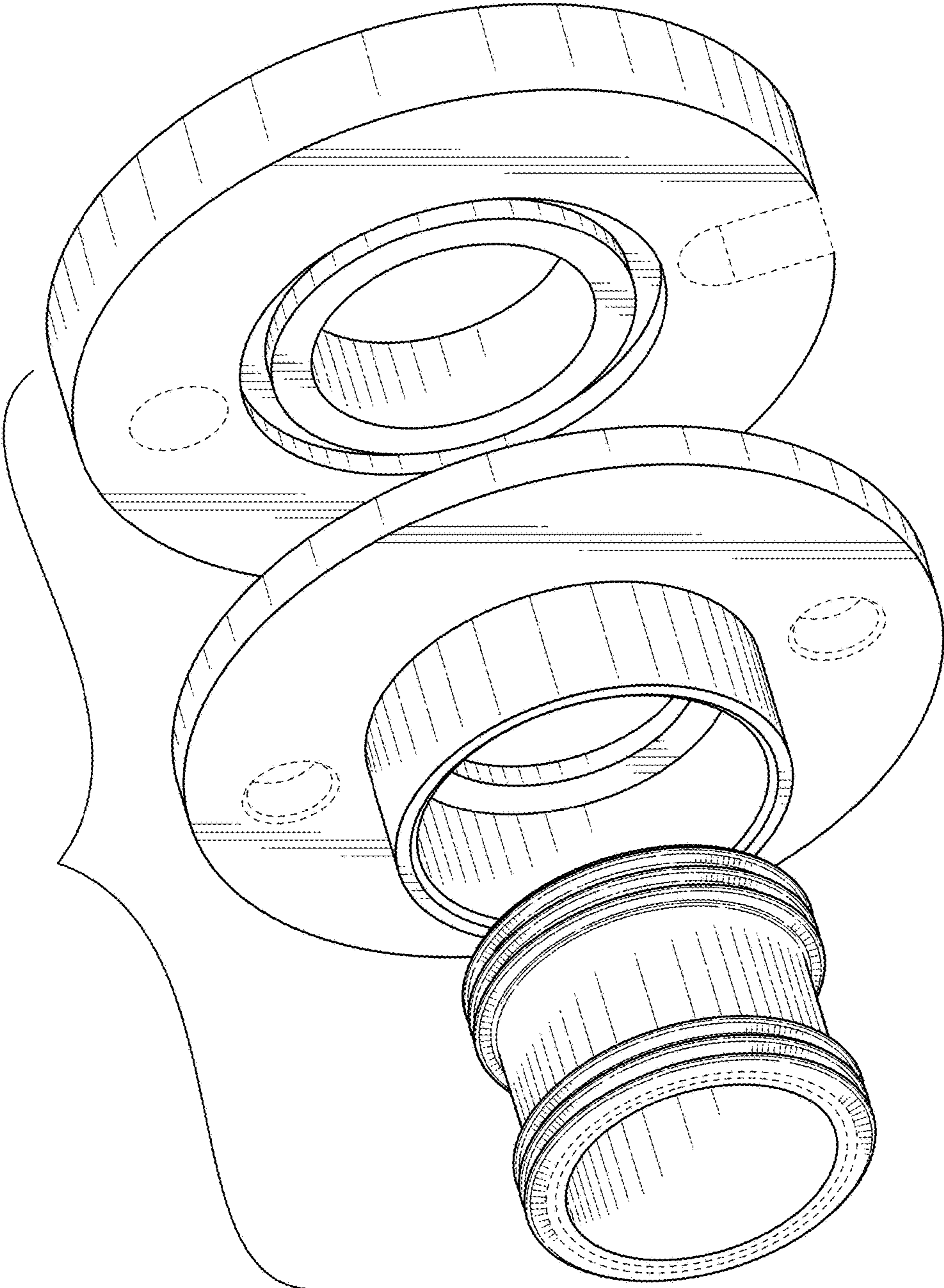


FIG. 6

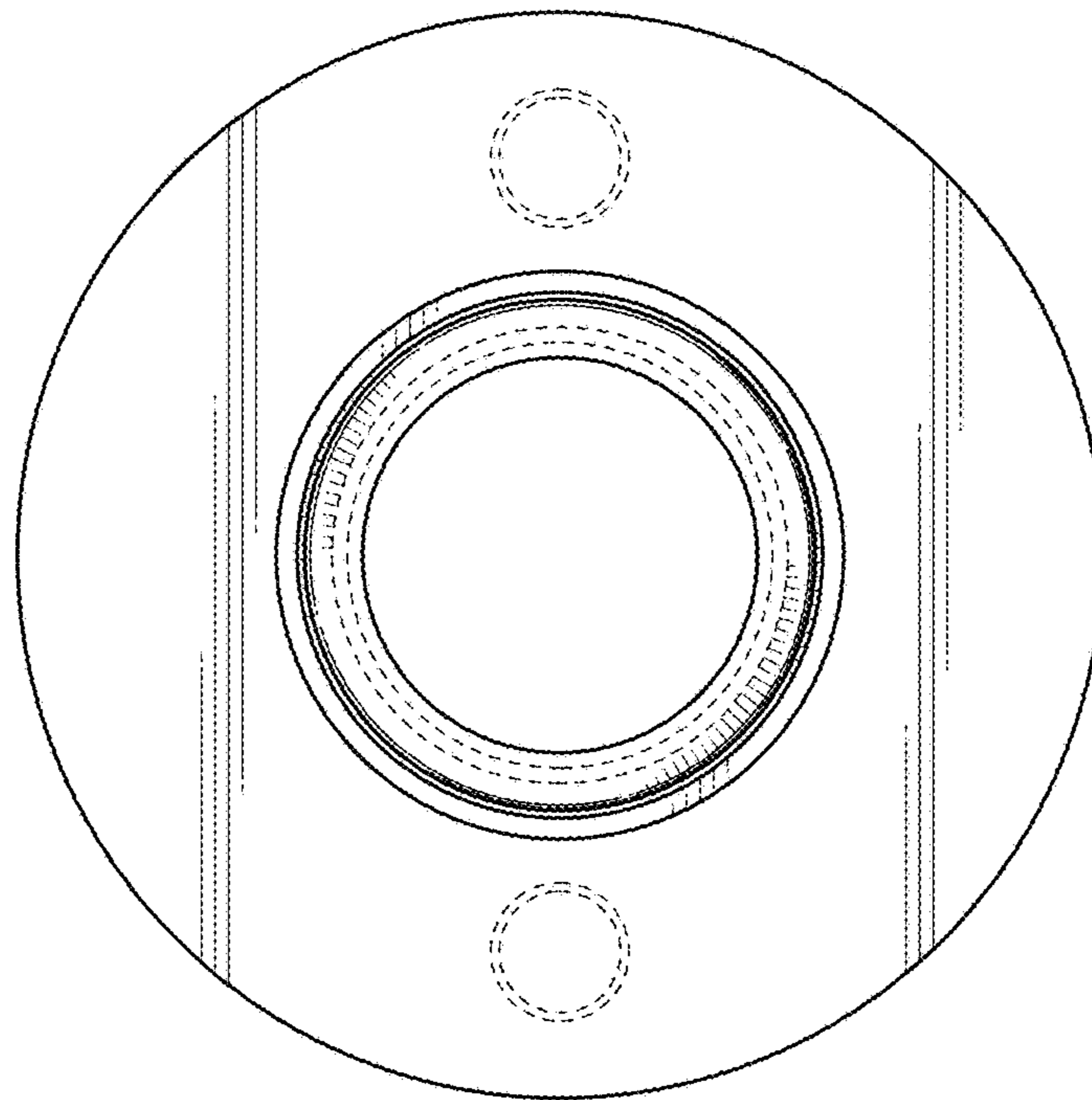


FIG. 7

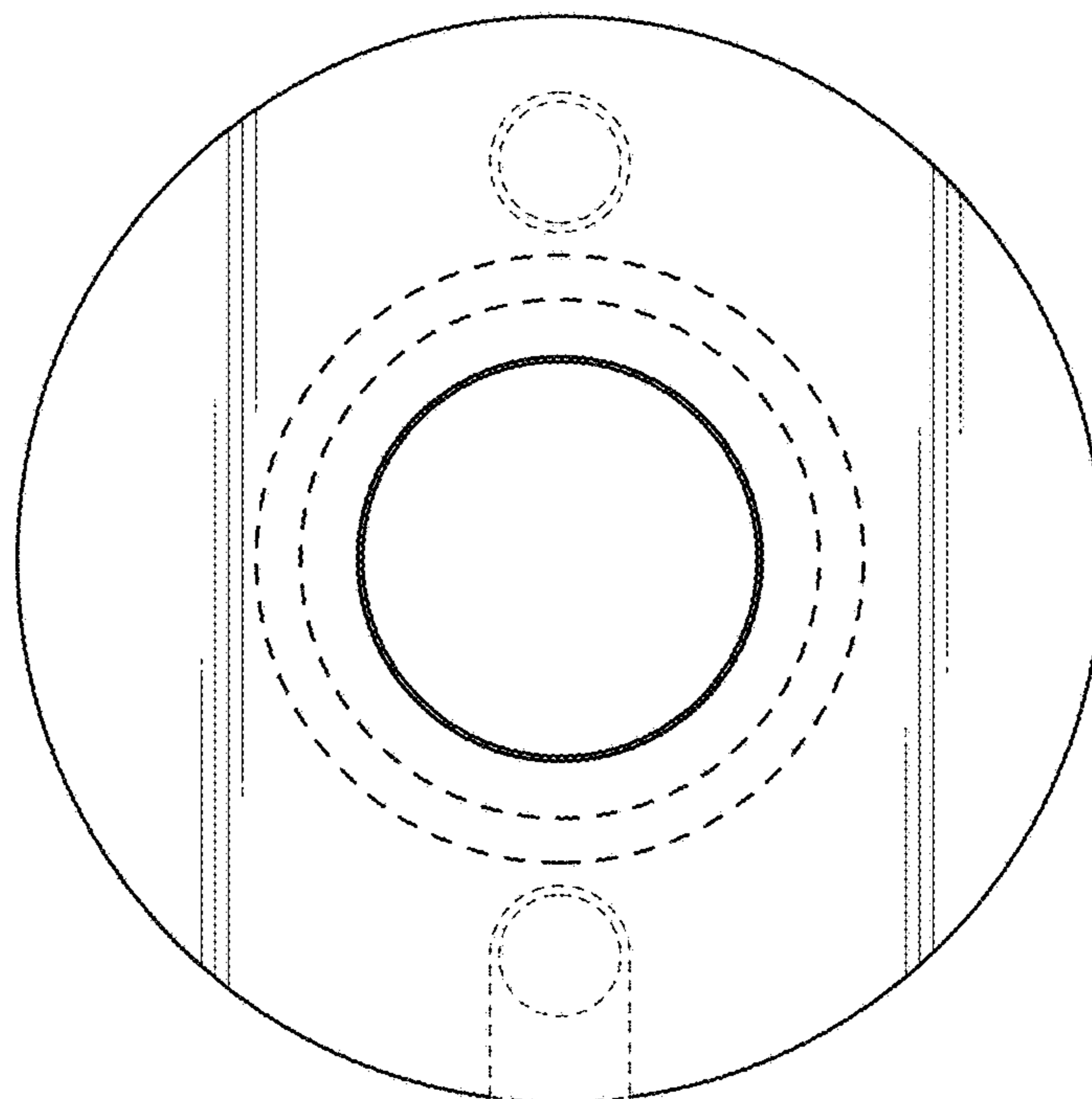


FIG. 8

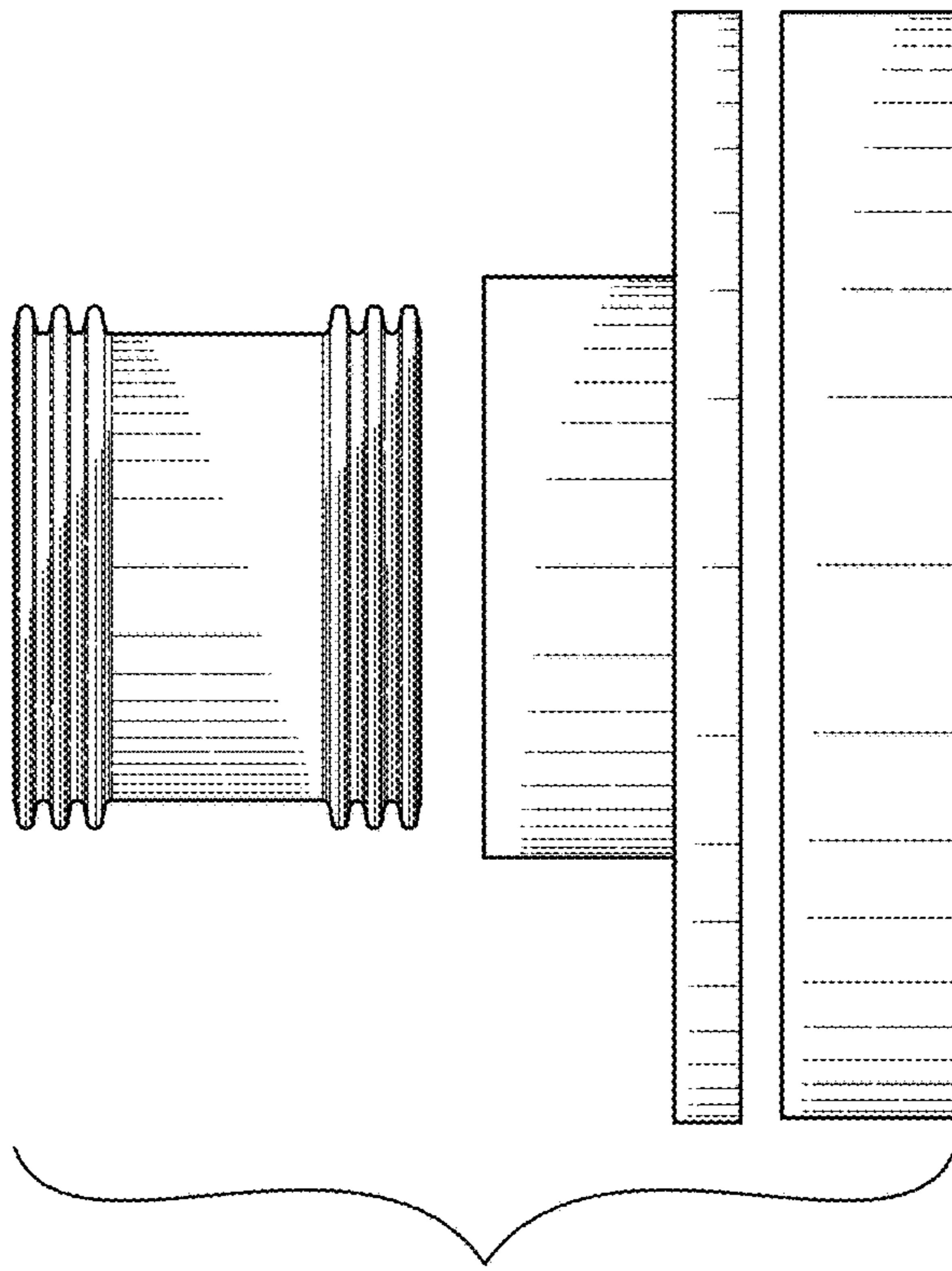


FIG. 9

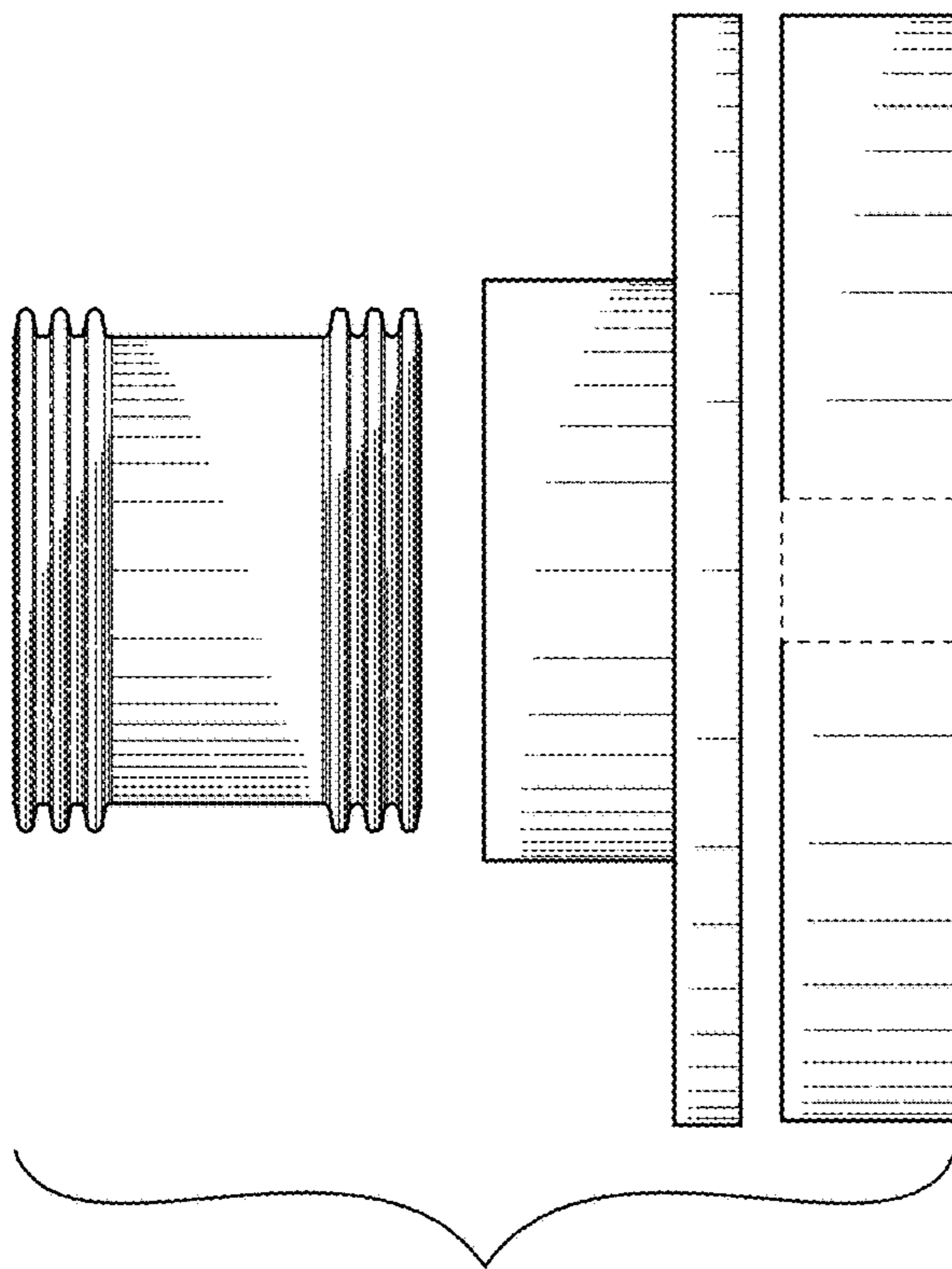


FIG. 10