



US00D815515S

(12) **United States Design Patent** (10) **Patent No.:** **US D815,515 S**  
**White** (45) **Date of Patent:** **\*\* Apr. 17, 2018**

(54) **PERPENDICULAR TO FLOOR SIGN HOLDING CLIP**

(71) Applicant: **Michael J. White**, Ripon, WI (US)

(72) Inventor: **Michael J. White**, Ripon, WI (US)

(73) Assignee: **K-International, Inc.**, Waukegan, IL (US)

(\*\*) Term: **15 Years**

(21) Appl. No.: **29/575,659**

(22) Filed: **Aug. 26, 2016**

(51) **LOC (11) Cl.** ..... **08-05**

(52) **U.S. Cl.**  
USPC ..... **D8/380**; D20/43; D8/373

(58) **Field of Classification Search**  
USPC ..... D8/321, 380, 381, 400, 373, 354, 355,  
D8/349, 366, 371; D6/325, 328;  
(Continued)

(56) **References Cited**

**U.S. PATENT DOCUMENTS**

D173,720 S \* 12/1954 Carver et al. .... 248/300  
D243,581 S \* 3/1977 Goss, Jr. .... D8/395  
(Continued)

**FOREIGN PATENT DOCUMENTS**

FR 051333-001 \* 9/2005

**OTHER PUBLICATIONS**

NPL #1: Flag Fast-Gripz II for Price Rails, Southern Imperial, posted at southernimperial.com in 2015 Product Catalog, © 2015 Southern Imperial Inc., [online], site visited Aug. 3, 2017. Available from Internet: <<http://www.southernimperial.com/pub/2015Catpages/2015-si-catalog-web.pdf>>.\*

(Continued)

*Primary Examiner* — Lakiya G Rogers

*Assistant Examiner* — Altaira J Swangin

(74) *Attorney, Agent, or Firm* — Schiff Hardin LLP

(57) **CLAIM**

The ornamental design of a perpendicular to floor sign holding clip, as shown and described.

**DESCRIPTION**

FIG. 1 is a perspective environmental view taken from the top, front, left side of the perpendicular to floor sign holding clip, and showing the perpendicular to floor sign holding clip attached to an angled member and supporting a sign in an example of a use of the perpendicular to floor sign holding clip;

FIG. 2 is a perspective view taken from the top, front, left side of the perpendicular to floor sign holding clip showing my new design according to a first embodiment;

FIG. 3 is a perspective view taken from the bottom, back, left side thereof;

FIG. 4 is a front elevational view thereof;

FIG. 5 is a back elevational view thereof;

FIG. 6 is an elevational view of the left side thereof, the right side elevational view thereof being a mirror image of the left side elevational view thereof;

FIG. 7 is a top plan view thereof;

FIG. 8 is a bottom plan view thereof;

FIG. 9 is a perspective view taken from the front, top, left side of the perpendicular to floor sign holding clip showing my new design according to a second embodiment;

FIG. 10 is a front elevational view according to the second embodiment;

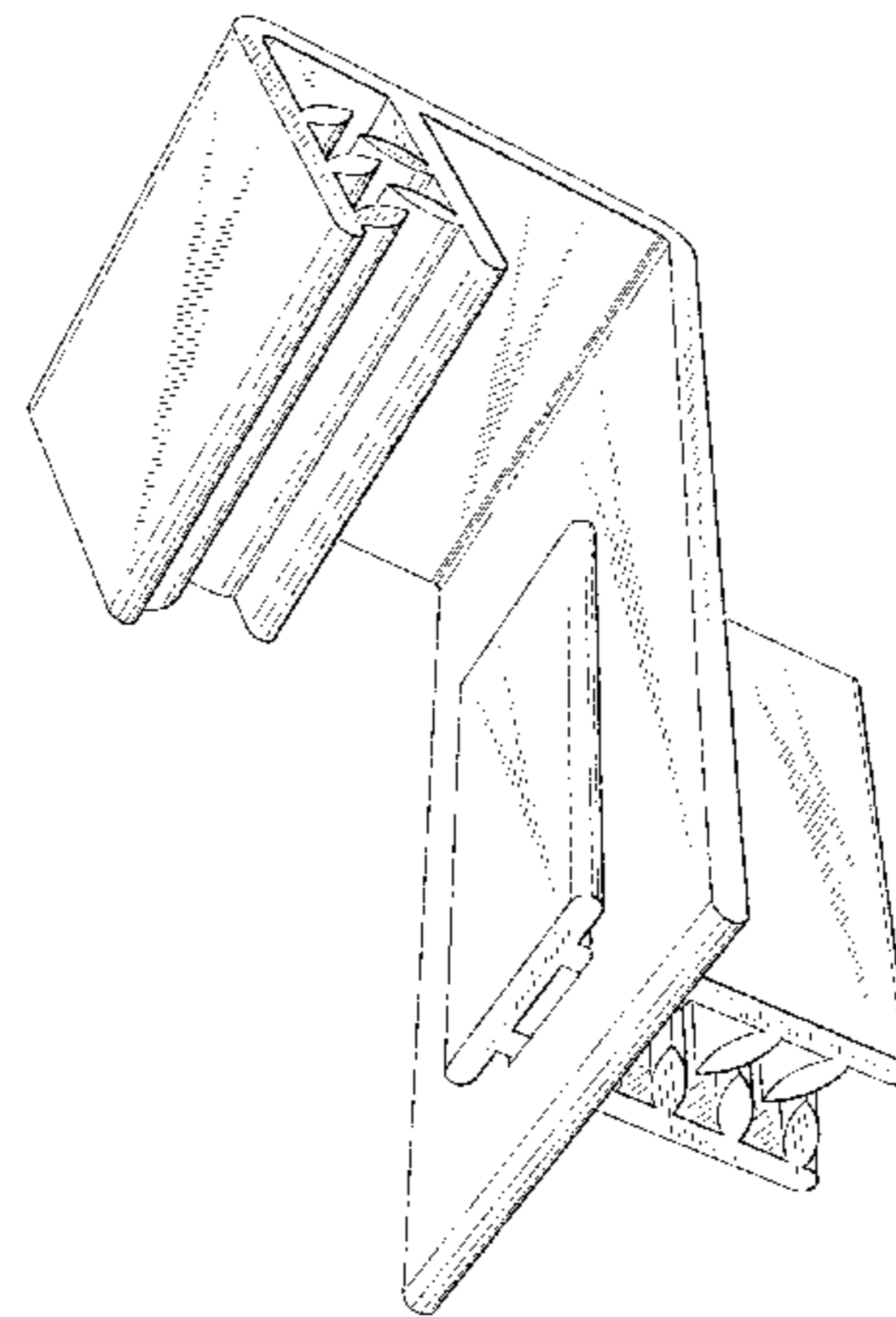
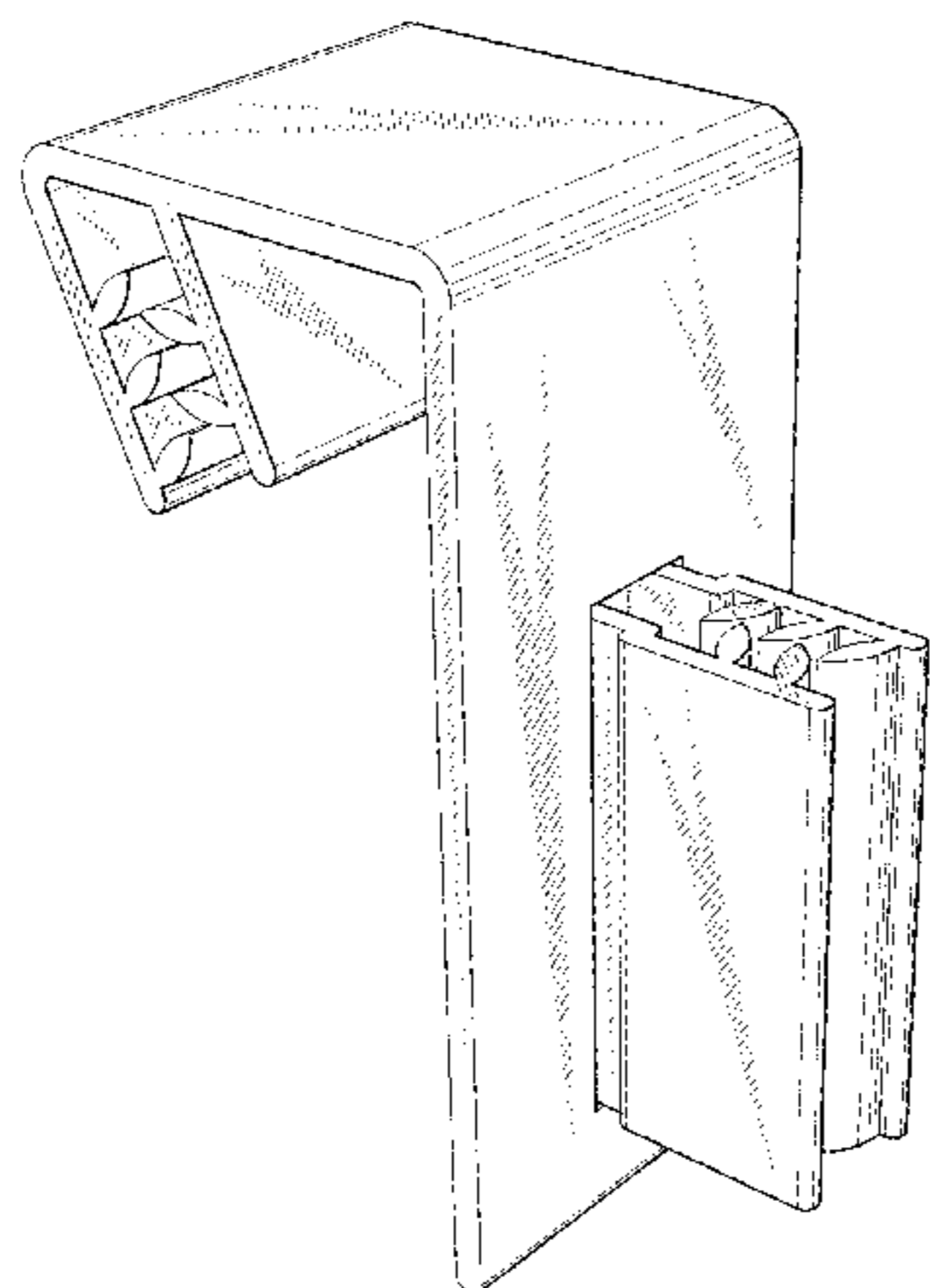
FIG. 11 is a back elevational view according to the second embodiment;

FIG. 12 is a left side elevational view according to the second embodiment, the right side elevational view according to the second embodiment being a mirror image of the left side elevational view according to the second embodiment;

FIG. 13 is a top plan view according to the second embodiment; and,

FIG. 14 is a bottom plan view according to the second embodiment.

(Continued)



The broken lines show environmental structures and form no part of the claimed design.

**1 Claim, 8 Drawing Sheets**

**(58) Field of Classification Search**

USPC ..... D20/43, 10; 52/489.1; D26/138;  
40/662, 658, 661.03  
CPC ..... B32B 38/00; B32B 37/02; B32P 19/00;  
B23P 19/00; B29C 65/52; B29C 65/56;  
G09F 15/00; G09F 7/18; G09F  
2007/1817

See application file for complete search history.

**(56) References Cited**

**U.S. PATENT DOCUMENTS**

D275,867 S \* 10/1984 Lazzara ..... D20/43  
4,557,064 A \* 12/1985 Thompson ..... G09F 3/20  
40/361  
D290,931 S \* 7/1987 Powell ..... D8/371  
5,275,367 A \* 1/1994 Frye ..... F16B 12/02  
248/205.3  
5,863,019 A \* 1/1999 Rose ..... G09F 7/10  
248/205.3  
D419,859 S \* 2/2000 Marsh ..... D8/380  
6,026,603 A \* 2/2000 Kump ..... G09F 3/204  
40/661.03  
D423,592 S \* 4/2000 Wamsley ..... D20/42  
D426,584 S \* 6/2000 Czalkiewicz ..... D20/43  
6,082,687 A \* 7/2000 Kump ..... A47F 5/0068  
211/57.1  
D453,534 S \* 2/2002 Kosir ..... D20/43  
D453,798 S \* 2/2002 Gray ..... D20/43  
D454,373 S \* 3/2002 Kosir ..... D20/44  
D454,593 S \* 3/2002 Kosir ..... D20/44  
D454,917 S \* 3/2002 Mueller ..... D20/42  
D454,918 S \* 3/2002 Wamsley ..... D20/43  
6,467,742 B1 \* 10/2002 Pitcher ..... A47G 1/0611  
248/205.3  
D471,787 S \* 3/2003 Gebrara ..... D8/354  
D471,788 S \* 3/2003 Gebara ..... D8/354  
D480,949 S \* 10/2003 Kosir ..... D8/373  
D483,249 S \* 12/2003 Klein ..... D8/373  
D483,250 S \* 12/2003 Klein ..... D8/373  
D487,115 S \* 2/2004 Kosir ..... D20/43  
D487,290 S \* 3/2004 Kosir ..... D20/42  
D494,045 S \* 8/2004 Van Essen ..... D8/366  
D494,047 S \* 8/2004 Klein ..... D8/371  
D494,050 S \* 8/2004 Klein ..... D6/513  
D494,844 S \* 8/2004 Klein ..... D8/372  
6,929,223 B2 \* 8/2005 Hancock ..... B60R 11/00  
211/64  
D511,548 S \* 11/2005 Wamsley ..... D20/43

6,971,201 B2 \* 12/2005 Brinkman ..... G09F 3/0295  
248/231.81  
D546,892 S \* 7/2007 Bruegmann ..... D20/44  
D569,916 S \* 5/2008 Garfinkle ..... D20/43  
D616,033 S \* 5/2010 Kurmlavage ..... D20/43  
D632,159 S \* 2/2011 Charette ..... D8/354  
7,946,066 B2 \* 5/2011 Wamsley ..... G09F 7/00  
248/220.31  
D669,136 S \* 10/2012 Bruegmann ..... D20/43  
8,308,880 B2 11/2012 White  
D673,223 S \* 12/2012 White ..... D20/43  
D689,949 S \* 9/2013 Valls ..... D20/43  
D703,762 S \* 4/2014 Baldursson ..... D20/44  
8,707,599 B2 4/2014 White et al.  
8,793,913 B1 \* 8/2014 Zobel ..... G09F 3/204  
40/661.03  
8,857,087 B1 \* 10/2014 Wildrick ..... G09F 3/204  
40/661.03  
9,038,300 B2 \* 5/2015 Theisen ..... G09F 3/204  
40/658  
9,131,787 B2 \* 9/2015 Berglund ..... A47F 5/0018  
D748,730 S \* 2/2016 Kopco ..... D20/43  
D748,731 S \* 2/2016 Kopco ..... D20/43  
D748,732 S \* 2/2016 Kopco ..... D20/43  
D750,710 S \* 3/2016 Watson ..... D20/43  
D768,243 S \* 10/2016 Garfinkle ..... D20/43  
D769,372 S 10/2016 White  
D787,602 S \* 5/2017 Watson ..... D20/43  
D787,603 S \* 5/2017 Watson ..... D20/43  
D787,604 S \* 5/2017 Watson ..... D20/43  
D788,227 S \* 5/2017 Watson ..... D20/43  
D792,184 S \* 7/2017 Deshler ..... D6/684  
D794,833 S \* 8/2017 Singh ..... D25/119  
9,754,515 B2 \* 9/2017 Nicolis ..... G09F 3/204  
2002/0029505 A1 \* 3/2002 Faneuf ..... G09F 1/10  
40/658  
2003/0163906 A1 \* 9/2003 Wildrick ..... G09F 1/103  
24/459  
2008/0000124 A1 \* 1/2008 Hecht ..... G09F 19/22  
40/649  
2011/0214321 A1 9/2011 White  
2016/0275828 A1 \* 9/2016 White ..... G09F 7/18  
2017/0261018 A1 \* 9/2017 Gibb  
2017/0263164 A1 \* 9/2017 Gibb ..... G09F 15/0025

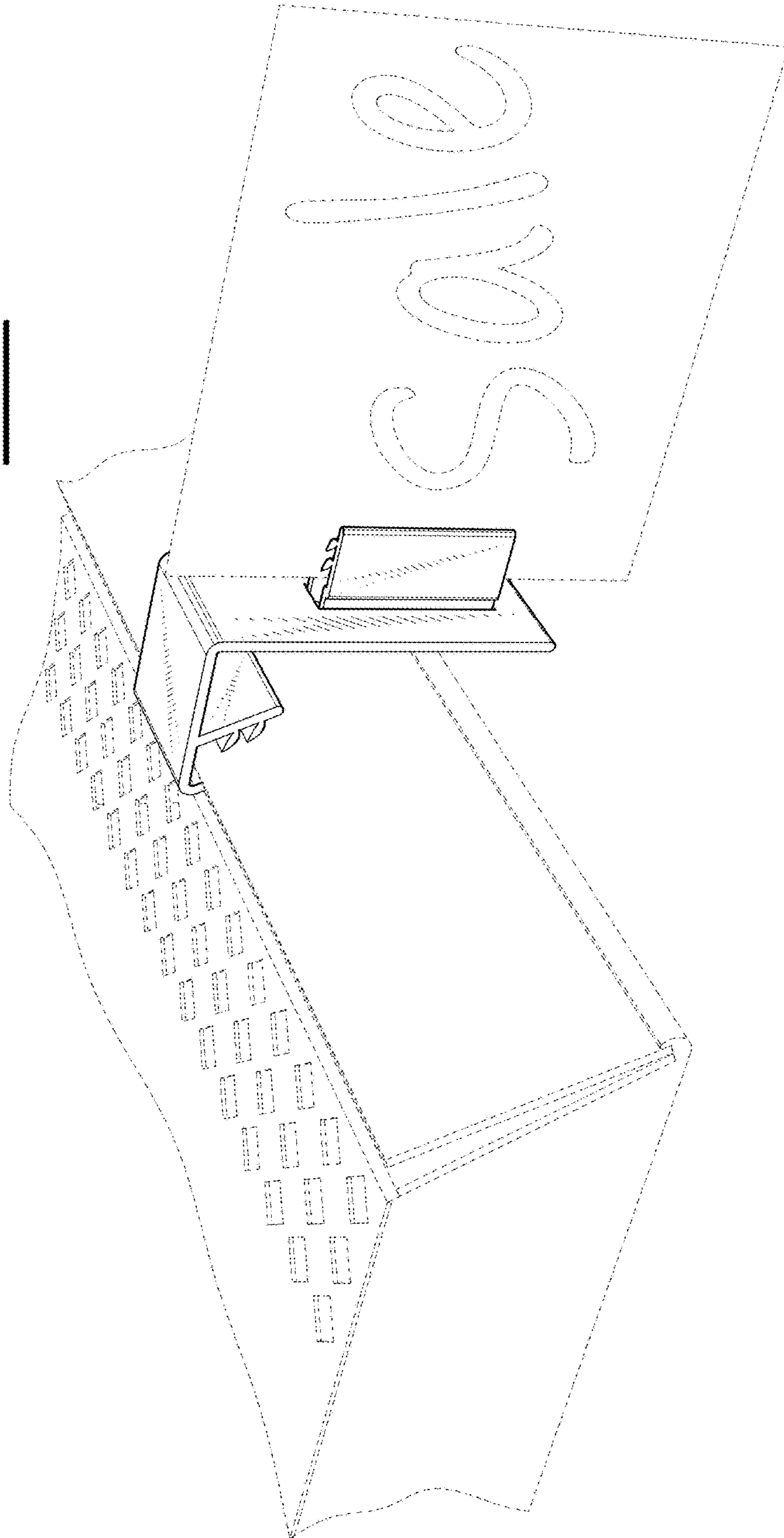
**OTHER PUBLICATIONS**

NPL #1: Hinged Flag Fast-Gripz II, product catalog, posted at southernimperial.com, published 2015 © 2015 Southern Imperial, Inc., online, site visited Sep. 19, 2017. Available from Internet, <URL: <http://www.southernimperial.com/pub/2015Catpages/2015-si-catalog-web.pdf>.\*

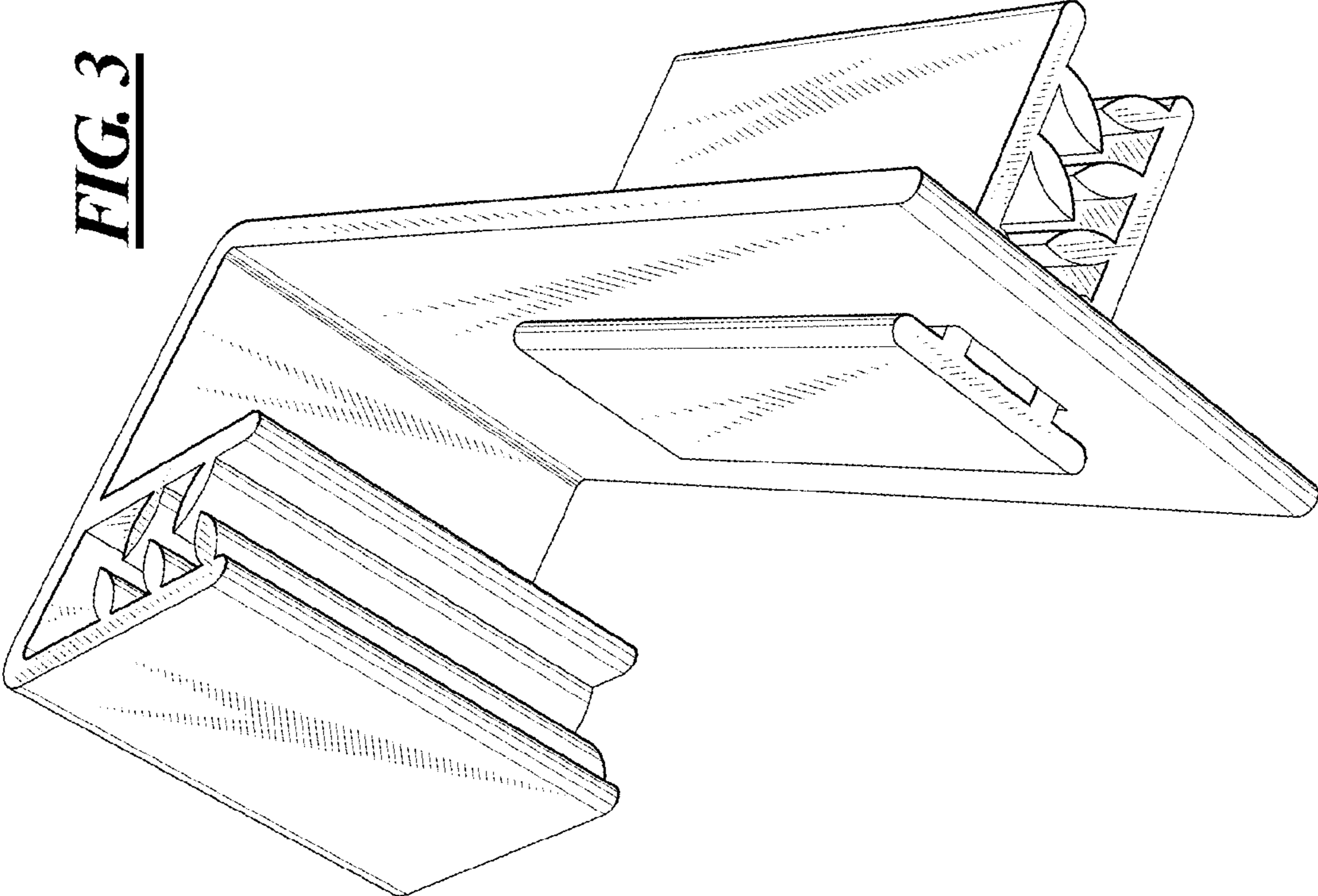
NPL #2: Hinged Gripper Flag Sign Holder Item 108107, posted at products.kinter.com, publish date not provided © not listed, online, site visited Sep. 19, 2017. Available from Internet, <URL: <http://products.kinter.com/item/flag-sign-holders/hinged-gripper-flag-sign-holder/108107?>.\*

\* cited by examiner

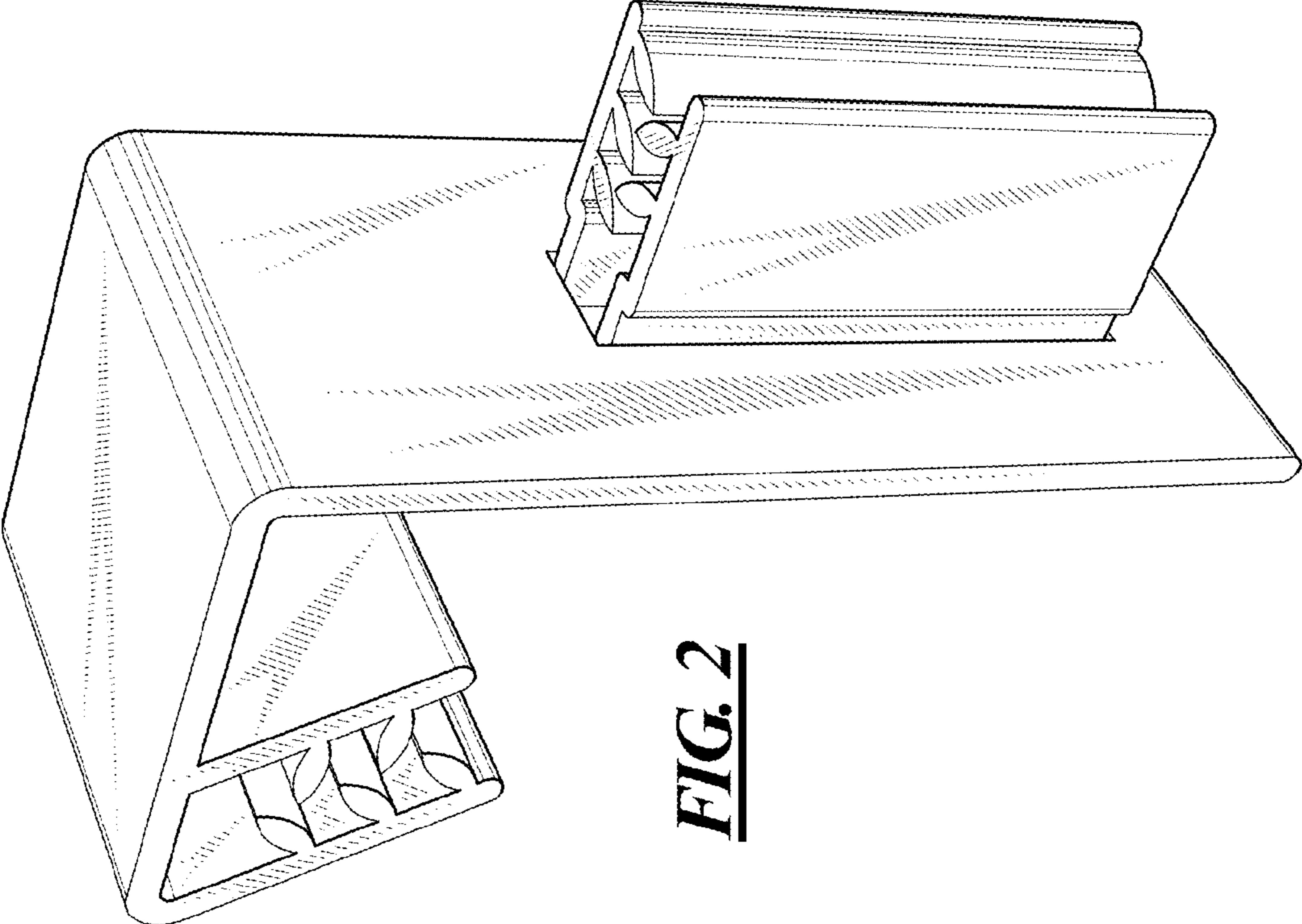
**FIG. 1**

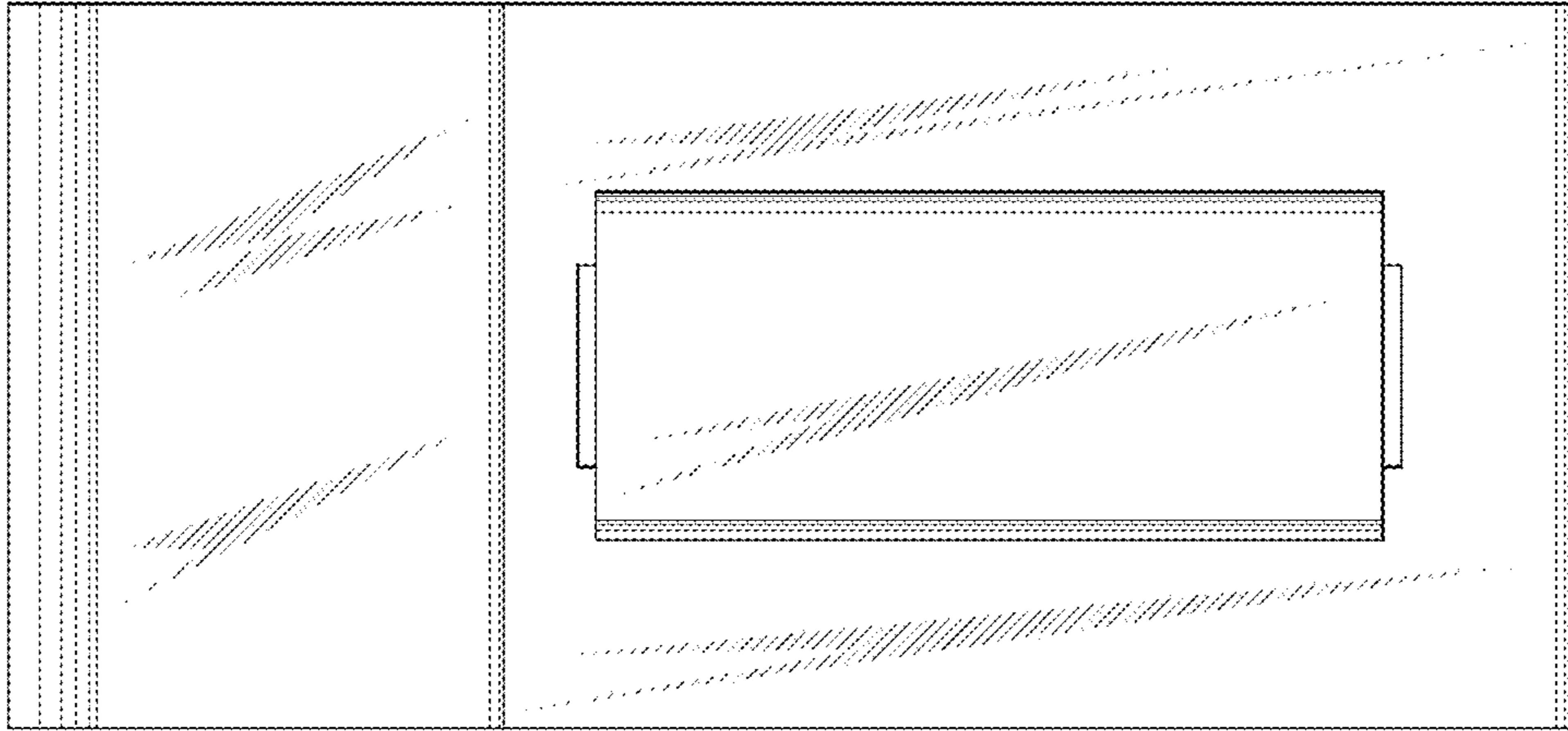


**FIG. 3**

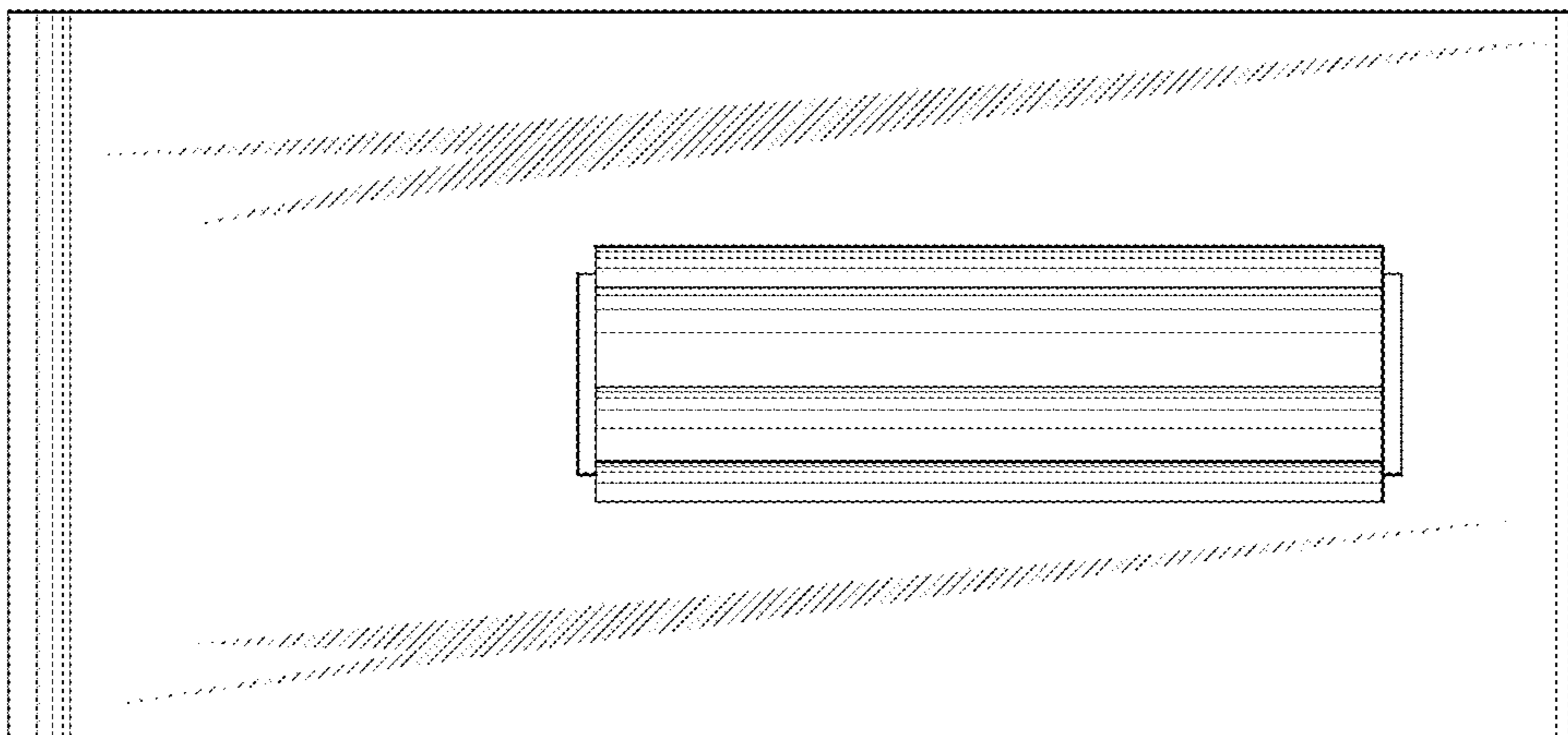


**FIG. 2**

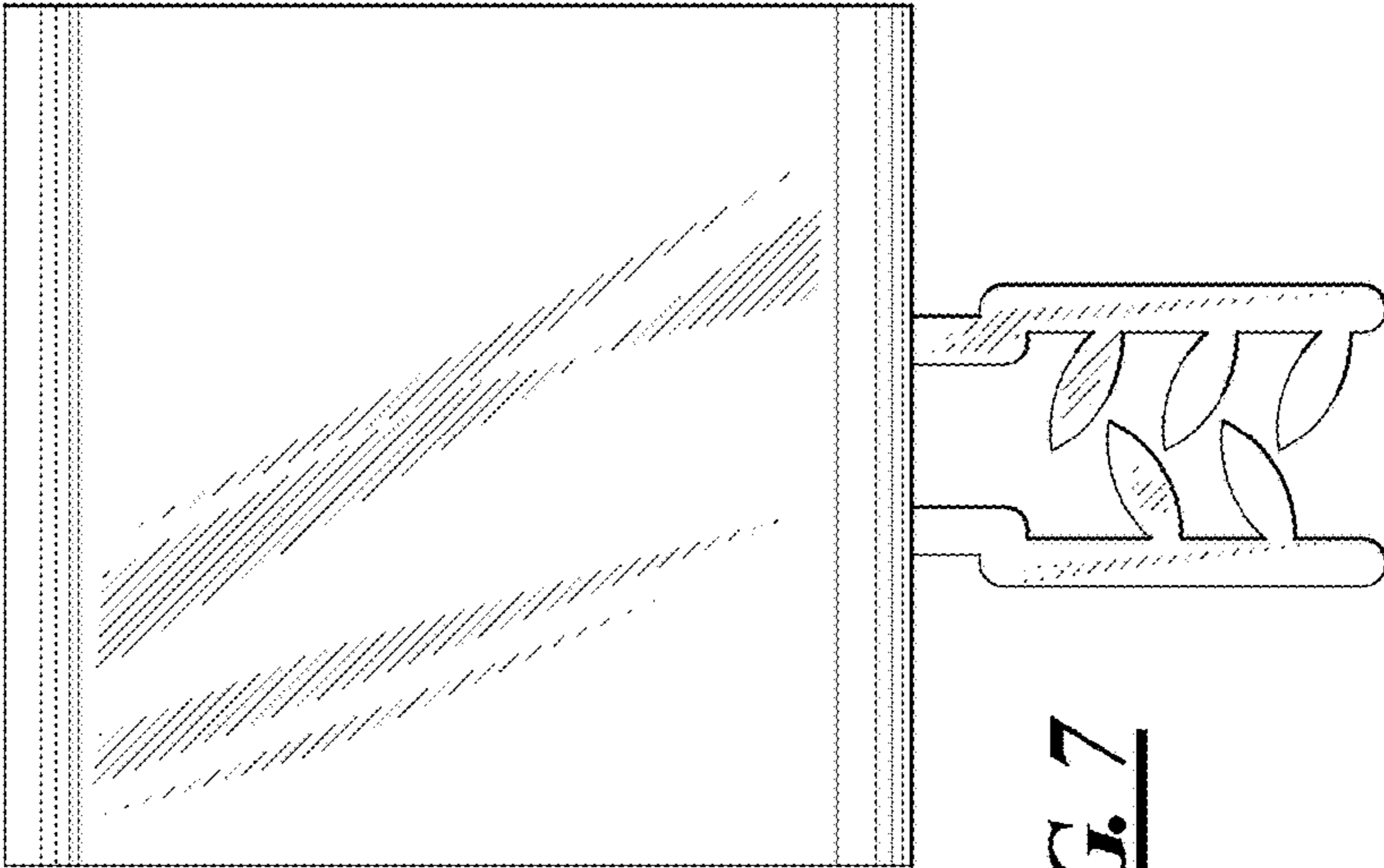




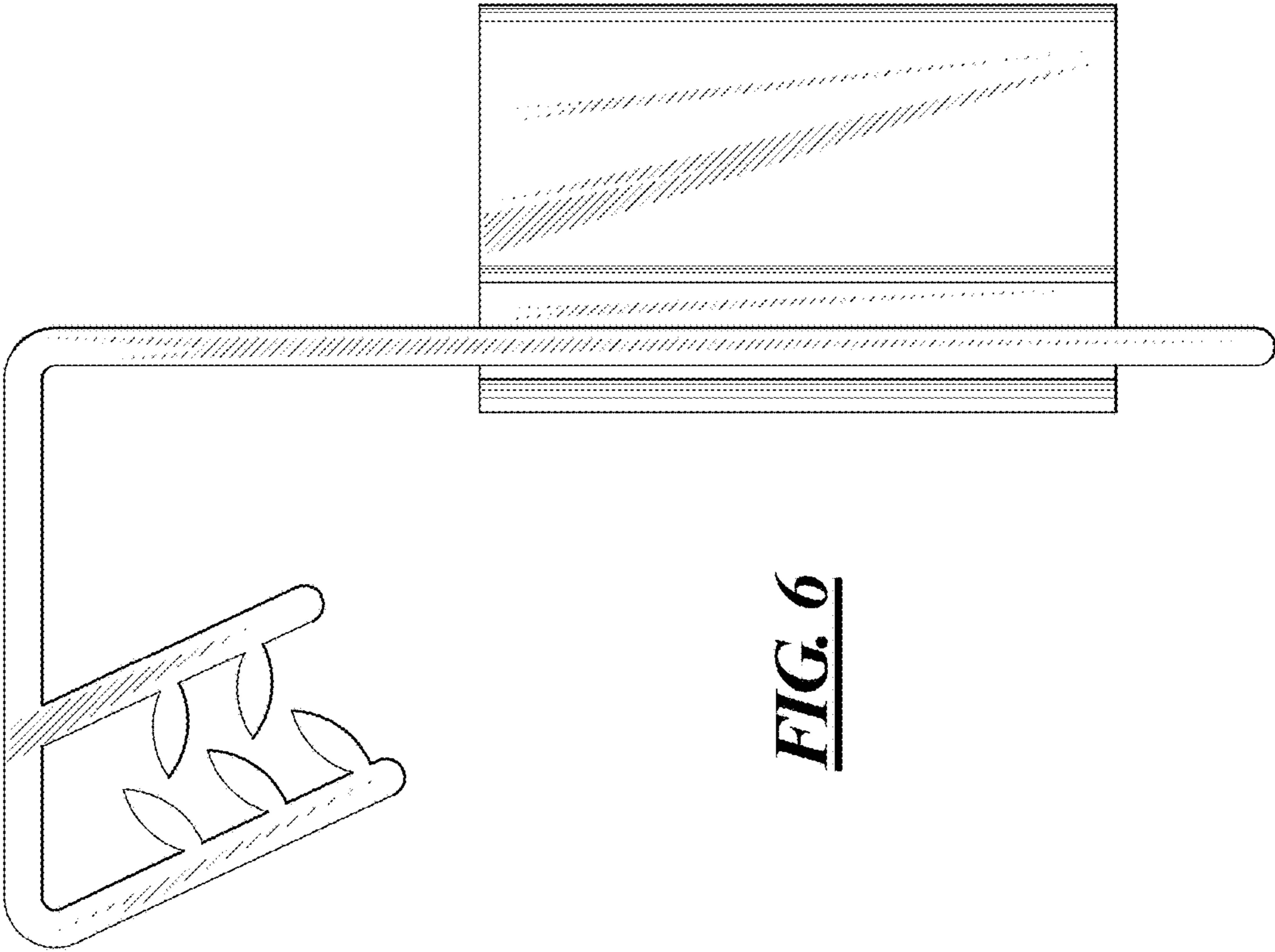
**FIG. 5**



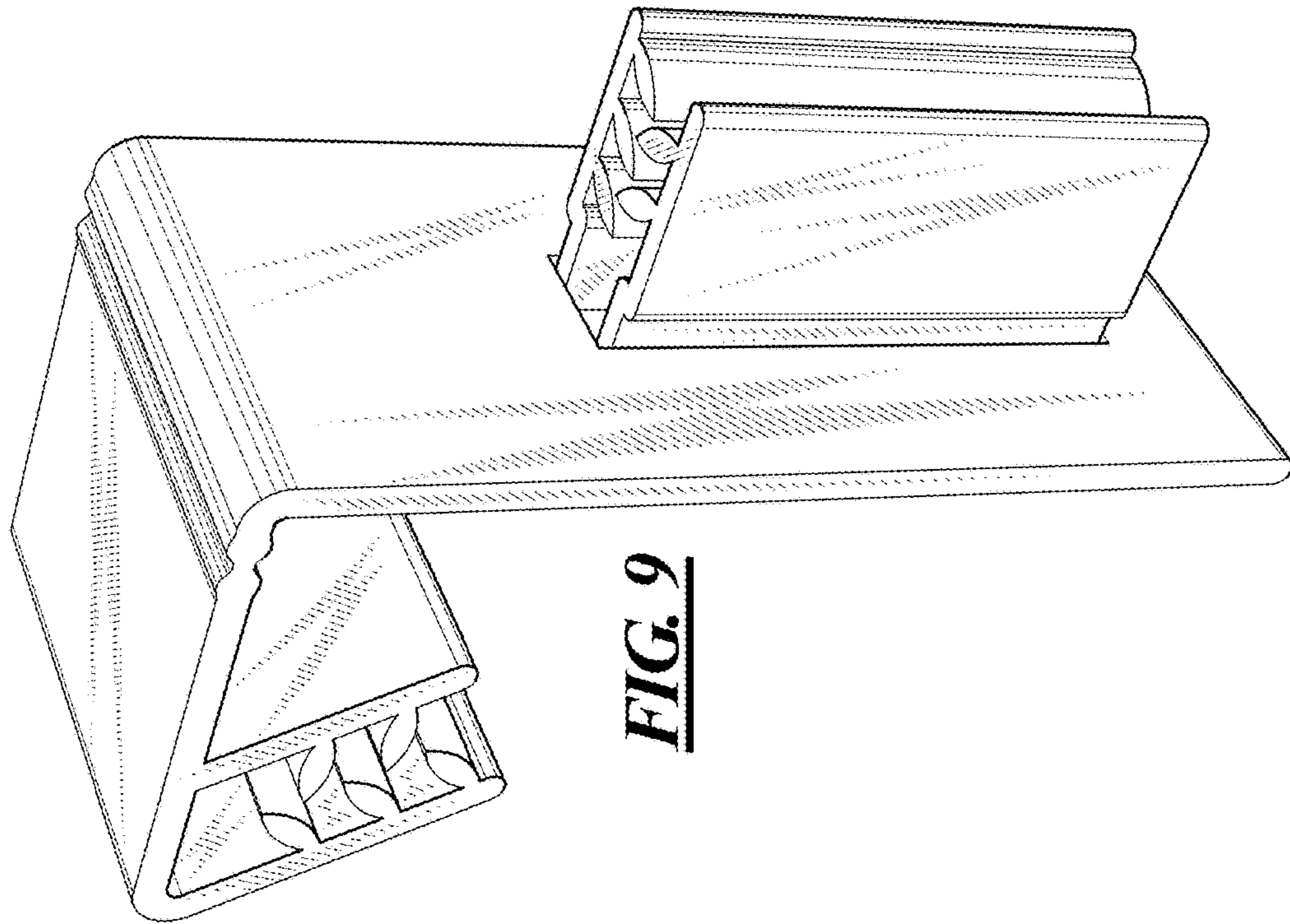
**FIG. 4**



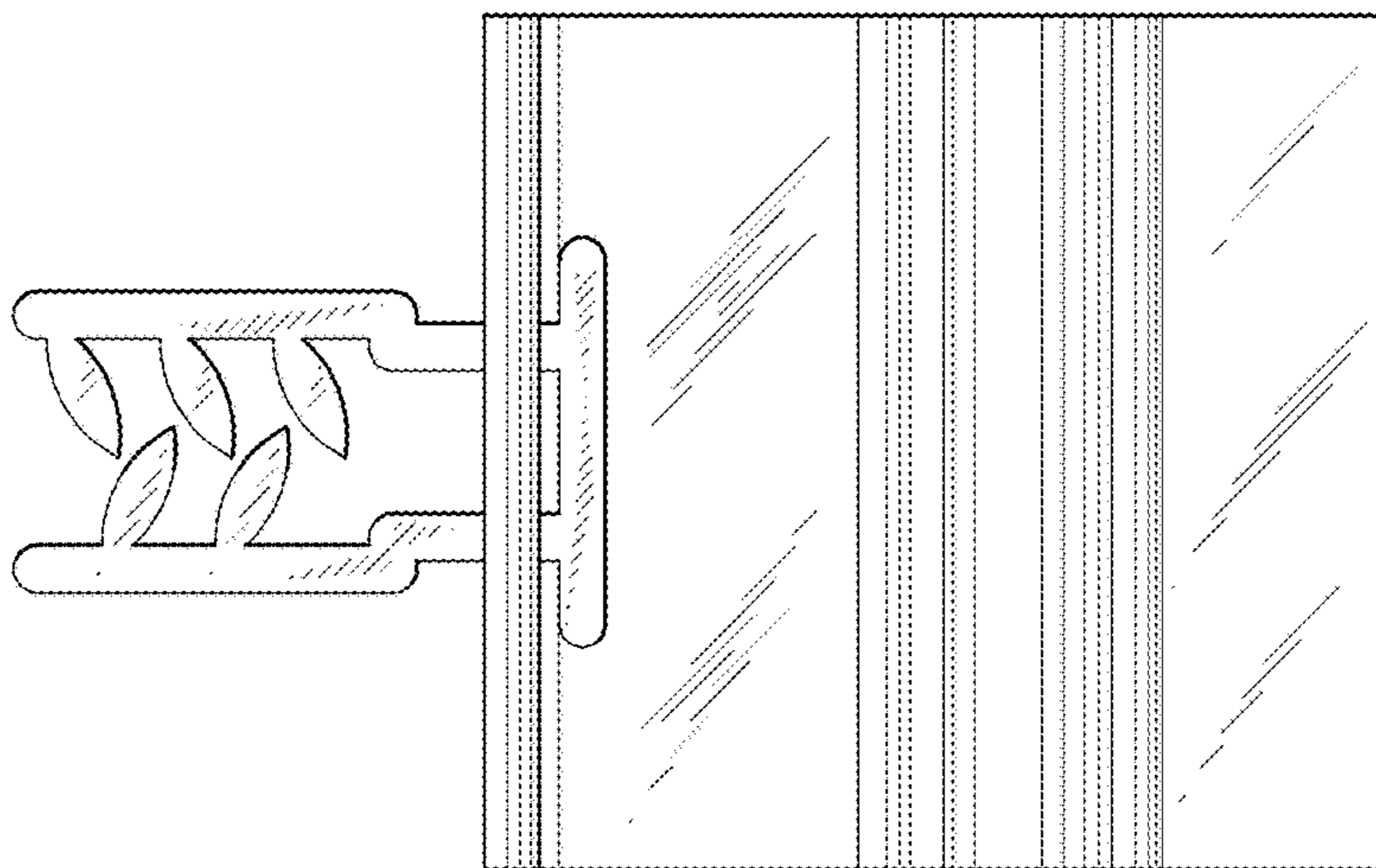
**FIG. 7**



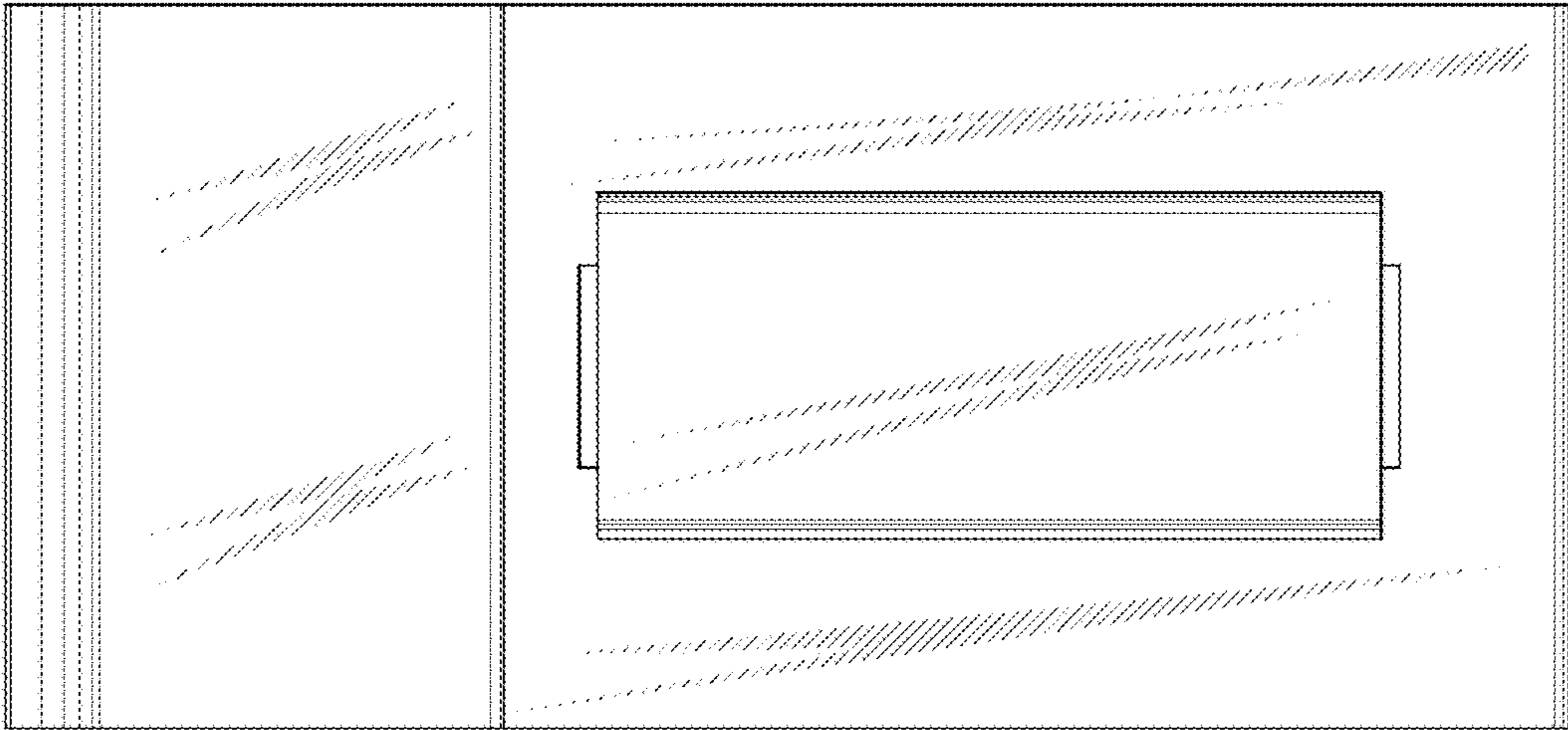
**FIG. 6**



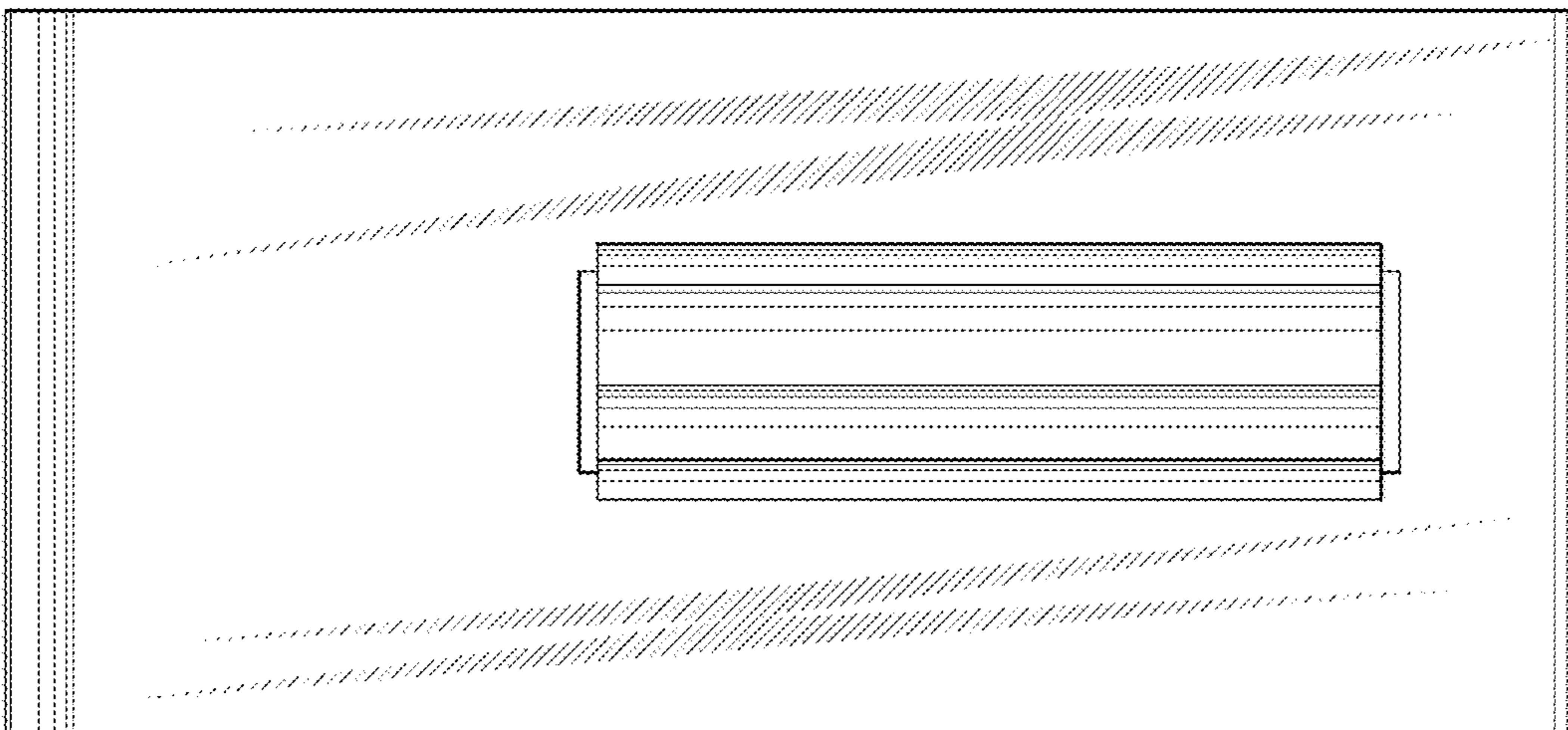
**FIG. 9**



**FIG. 8**

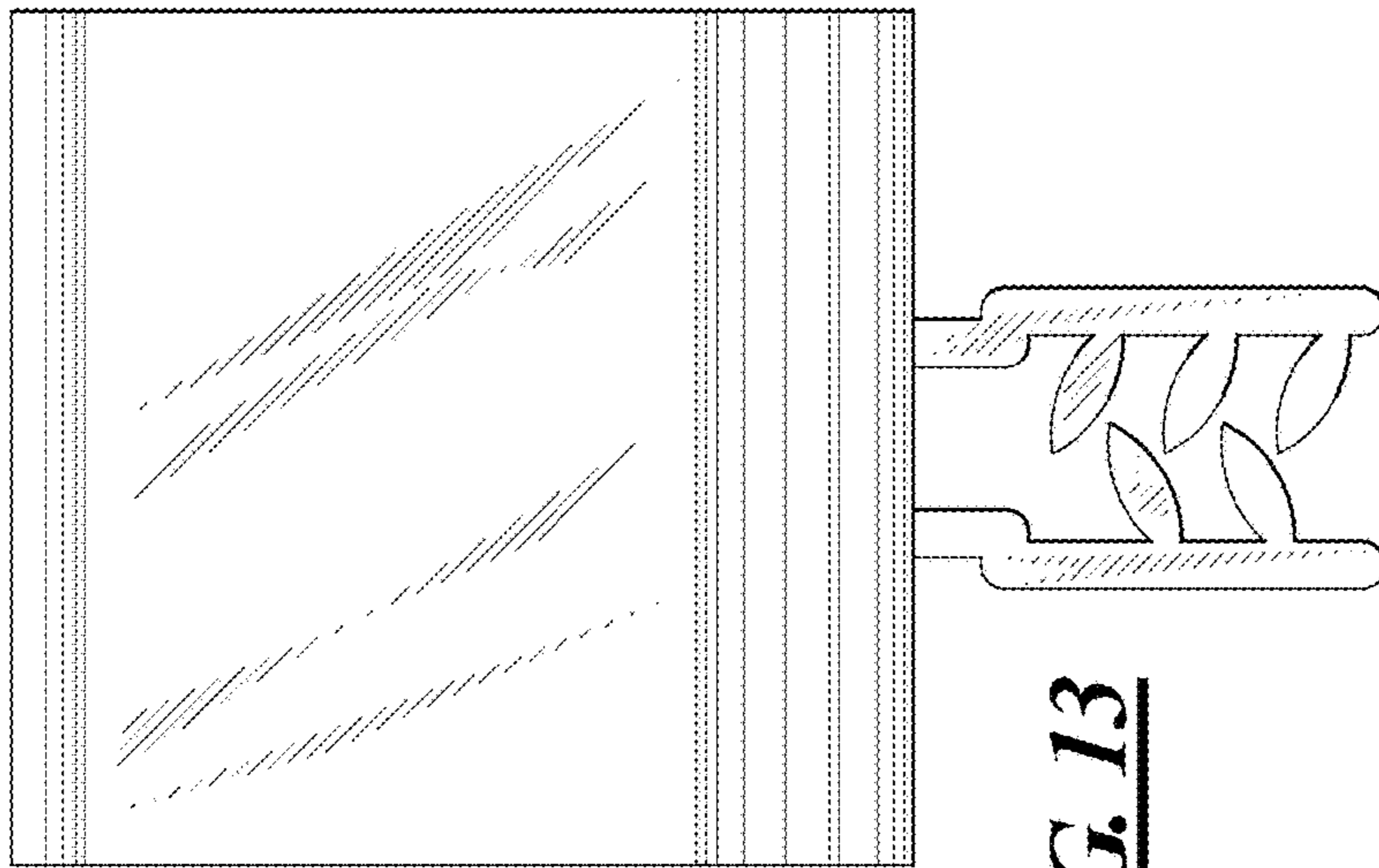


**FIG. 11**

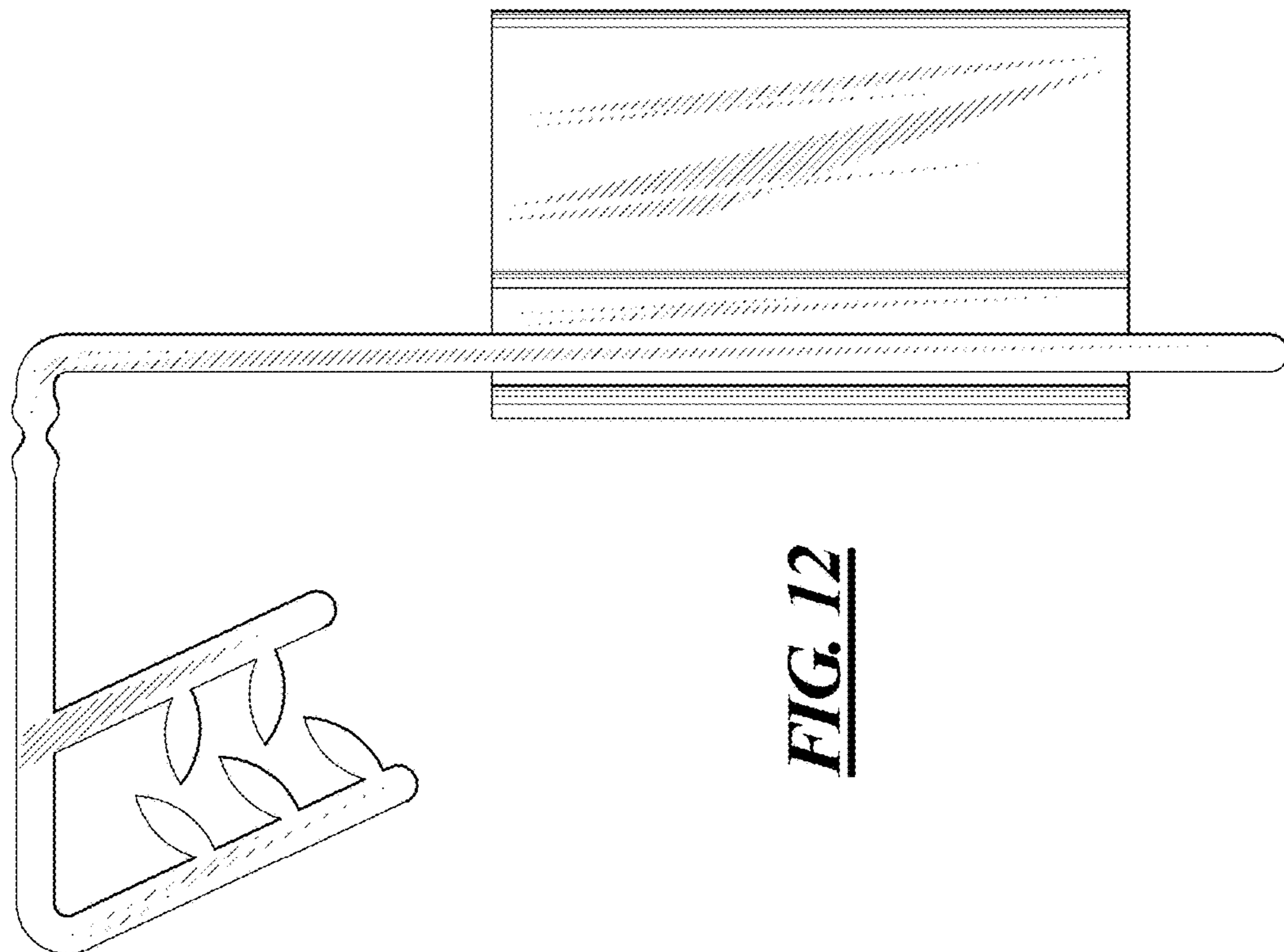


**FIG. 10**

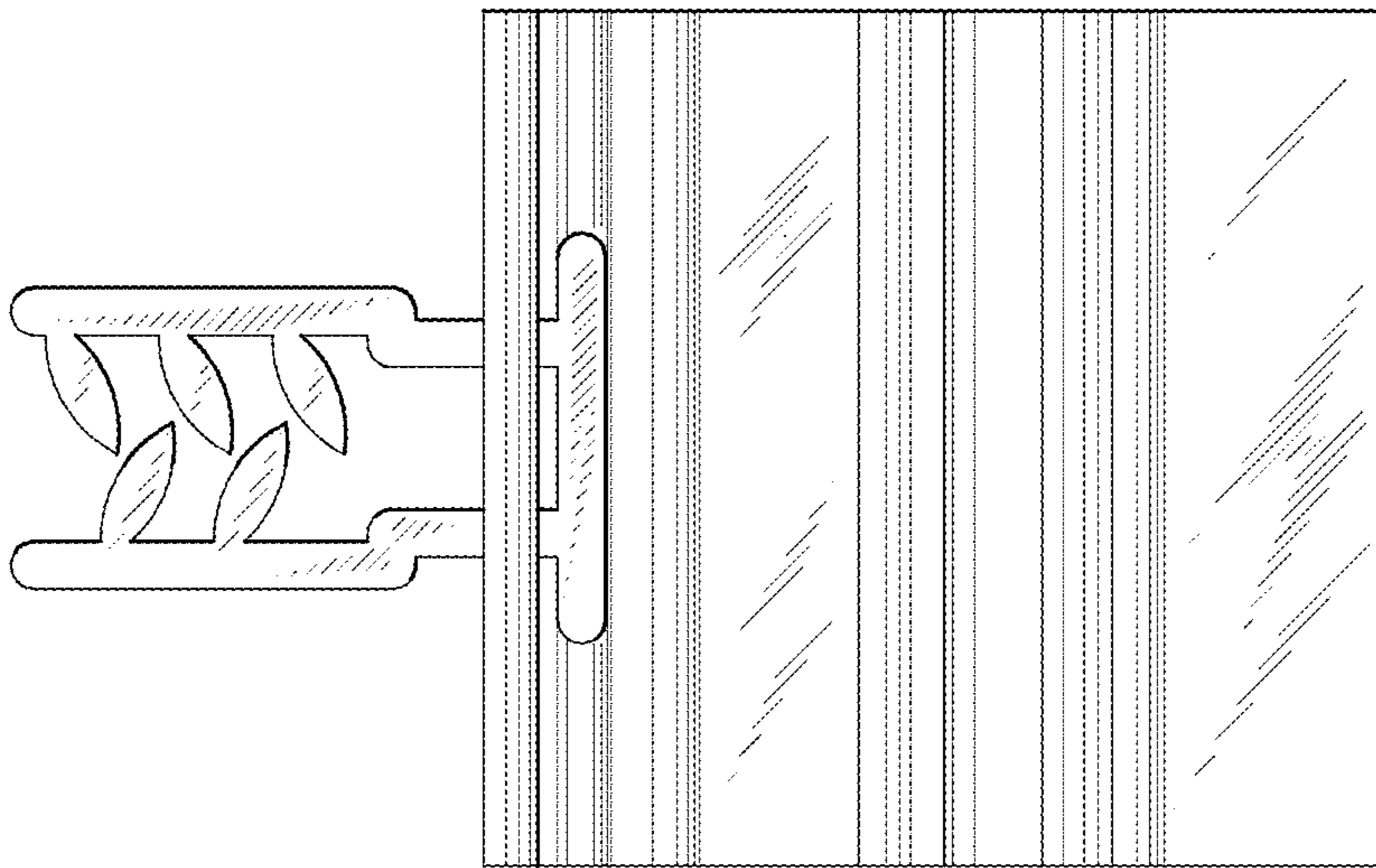




**FIG. 13**



**FIG. 12**



**FIG. 14**