



US00D815510S

(12) **United States Design Patent**
Oftentimes et al.

(10) **Patent No.:** **US D815,510 S**
(45) **Date of Patent:** **** Apr. 17, 2018**

- (54) **GLIDER SWING ARM**
- (71) Applicant: **WPG Fasteners, Inc.**, Camp Hill, PA (US)
- (72) Inventors: **William D. Oftentimes**, Dillsburg, PA (US);
Mark Rawson, East Berlin, PA (US);
Michael Rawson, East Berlin, PA (US)
- (73) Assignee: **WPG Fasteners, Inc.**, Camp Hill, PA (US)

5,248,120 A * 9/1993 Brien A47C 3/02
248/370
D349,818 S * 8/1994 Noll D6/334
5,427,433 A * 6/1995 Holobaugh, Jr. A47C 3/0255
248/370
5,536,099 A * 7/1996 Ryan A47C 3/0255
29/719
D376,567 S * 12/1996 Davidson D12/126
5,653,505 A * 8/1997 Holobaugh, Jr. A47C 3/0255
248/586
5,667,273 A * 9/1997 Noll A47C 3/0255
296/205

(Continued)

(**) Term: **15 Years**

(21) Appl. No.: **29/570,819**

(22) Filed: **Jul. 12, 2016**

(51) **LOC (11) Cl.** **08-07**

(52) **U.S. Cl.**
USPC **D8/347**; D8/349

(58) **Field of Classification Search**
USPC D8/349, 354, 374; D6/334, 335, 341,
D6/344, 347, 382, 385, 386; 248/370;
297/281, 282, 273, 452.63
CPC A47C 3/0255; A47C 3/02; A47C 3/00;
F16C 7/02; F16C 7/06; F16C 7/00; F16C
33/60

See application file for complete search history.

(56) **References Cited**

U.S. PATENT DOCUMENTS

1,909,747 A * 5/1933 Bohn F16C 33/60
384/505
1,909,748 A * 5/1933 Bohn F16C 33/60
384/515
1,965,785 A * 7/1934 Vallone A47C 3/0255
297/281
4,213,650 A * 7/1980 Sroub A47C 3/0255
297/281
5,186,549 A * 2/1993 Walters A47C 3/0255
297/281

OTHER PUBLICATIONS

Document showing examples of commercially-available products believed to have been on sale at least one year prior to Jul. 12, 2016.

(Continued)

Primary Examiner — Mark Goodwin
(74) *Attorney, Agent, or Firm* — Design IP

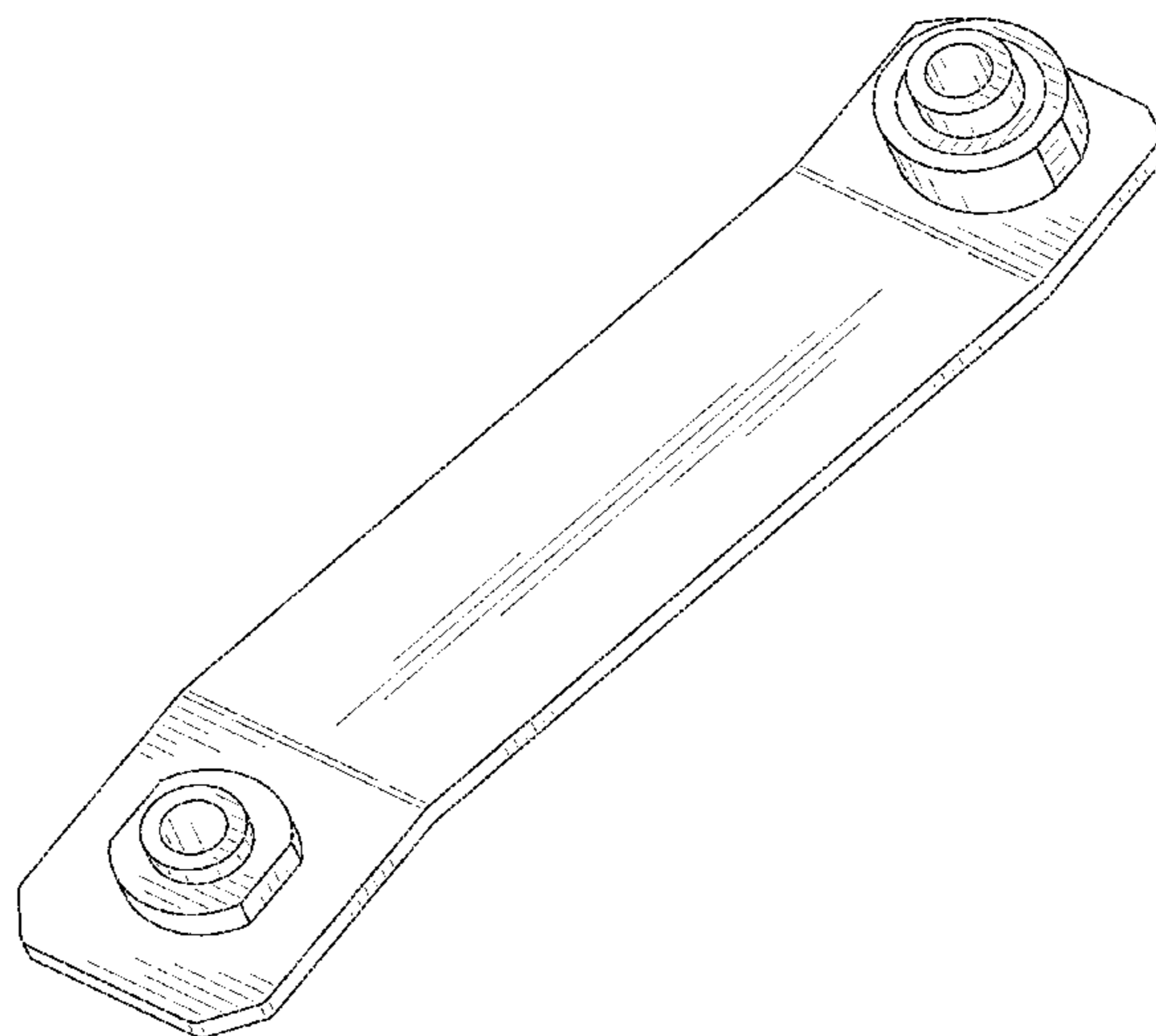
(57) **CLAIM**

The ornamental design for a glider swing arm, as shown and described.

DESCRIPTION

FIG. 1 is a front perspective view of a glider swing arm showing my new design;
FIG. 2 is a front orthographic view thereof;
FIG. 3 is a rear orthographic view thereof;
FIG. 4 is a right side orthographic view thereof;
FIG. 5 is a left side orthographic view thereof;
FIG. 6 is a top plan side view thereof;
FIG. 7 is a bottom plan view thereof; and,
FIG. 8 is an enlarged front perspective view thereof.
The broken lines shown in FIG. 8 are included for the purpose of illustrating the glider swing arm broken away only and form no part of the claimed design.

1 Claim, 4 Drawing Sheets



(56)

References Cited

U.S. PATENT DOCUMENTS

D400,720 S * 11/1998 Pomeroy D6/344
D406,948 S * 3/1999 Noll D6/344
D434,573 S 12/2000 Noll
6,241,315 B1 * 6/2001 Chiang A47C 3/0255
297/258.1
6,244,658 B1 * 6/2001 Parent A47C 3/0255
297/270.1
D444,635 S * 7/2001 Noll D6/344
D472,064 S * 3/2003 Haney D6/344
D473,725 S * 4/2003 Noll D6/344
6,695,401 B1 * 2/2004 Noll A47C 3/0255
297/259.3
D493,389 S * 7/2004 Pyykonen B62M 27/02
D12/7
D744,556 S * 12/2015 Skrjanc B23B 5/161
D15/138

OTHER PUBLICATIONS

Glider Bearing Arms 10", downloaded from <http://www.patiofurnituresupplies.com/glider-bearing-arms-10.html>, Jan. 5, 2016.

* cited by examiner

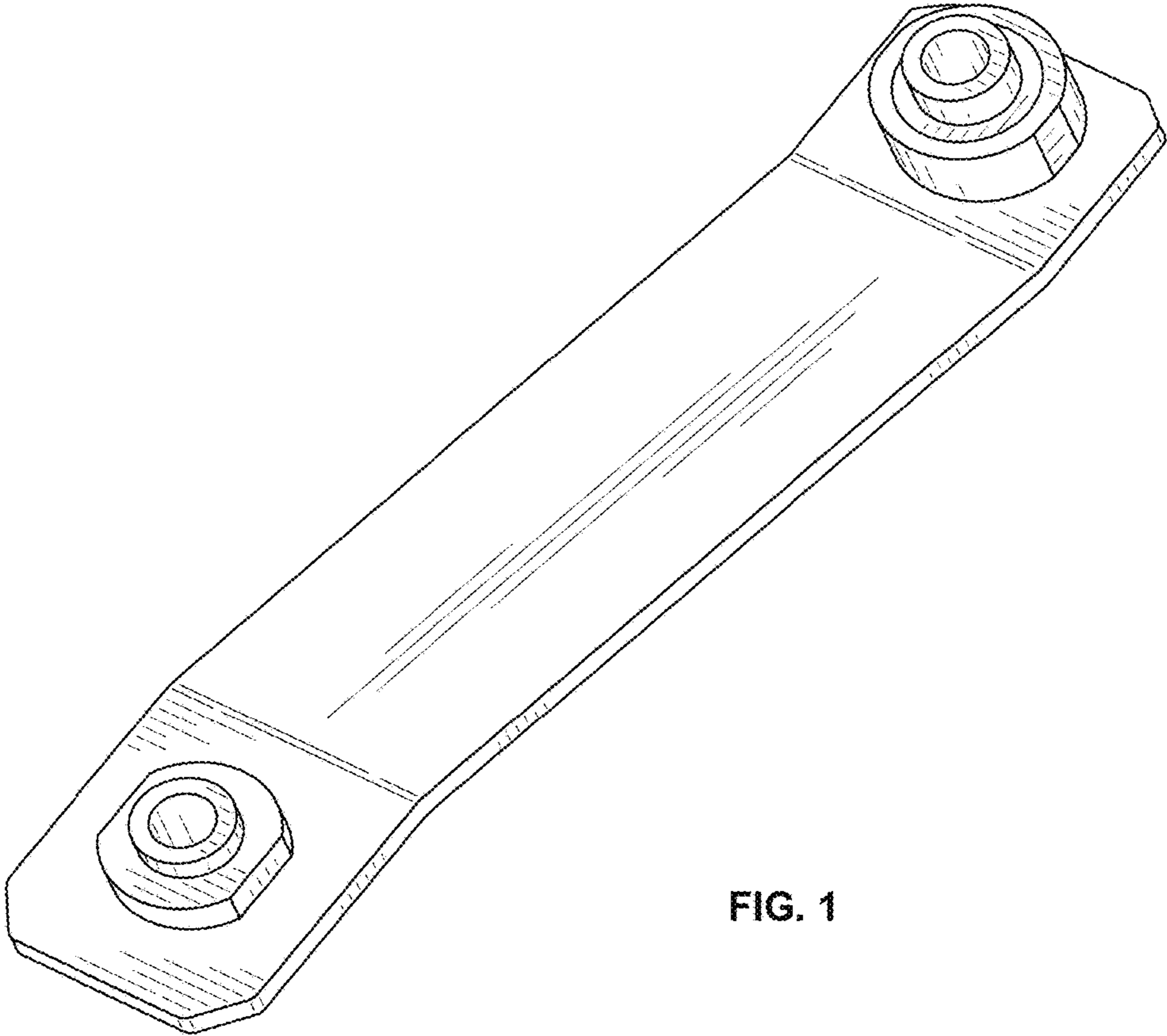


FIG. 1

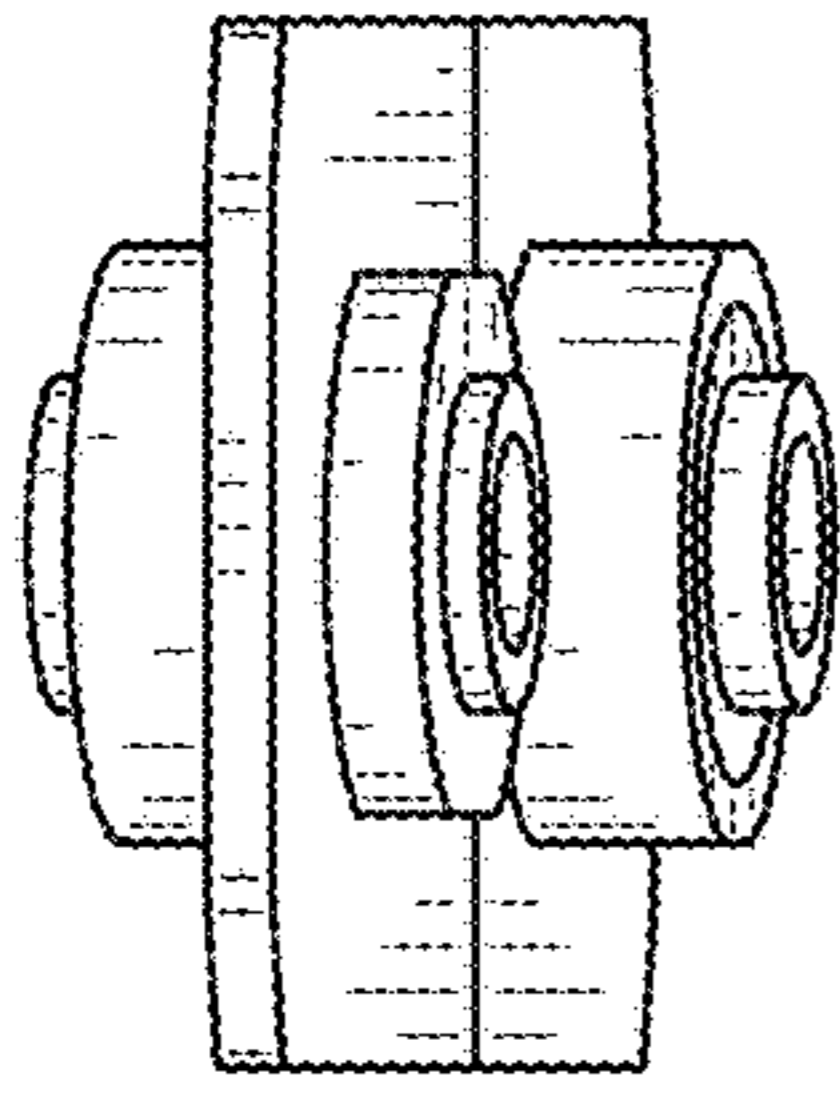


FIG. 2

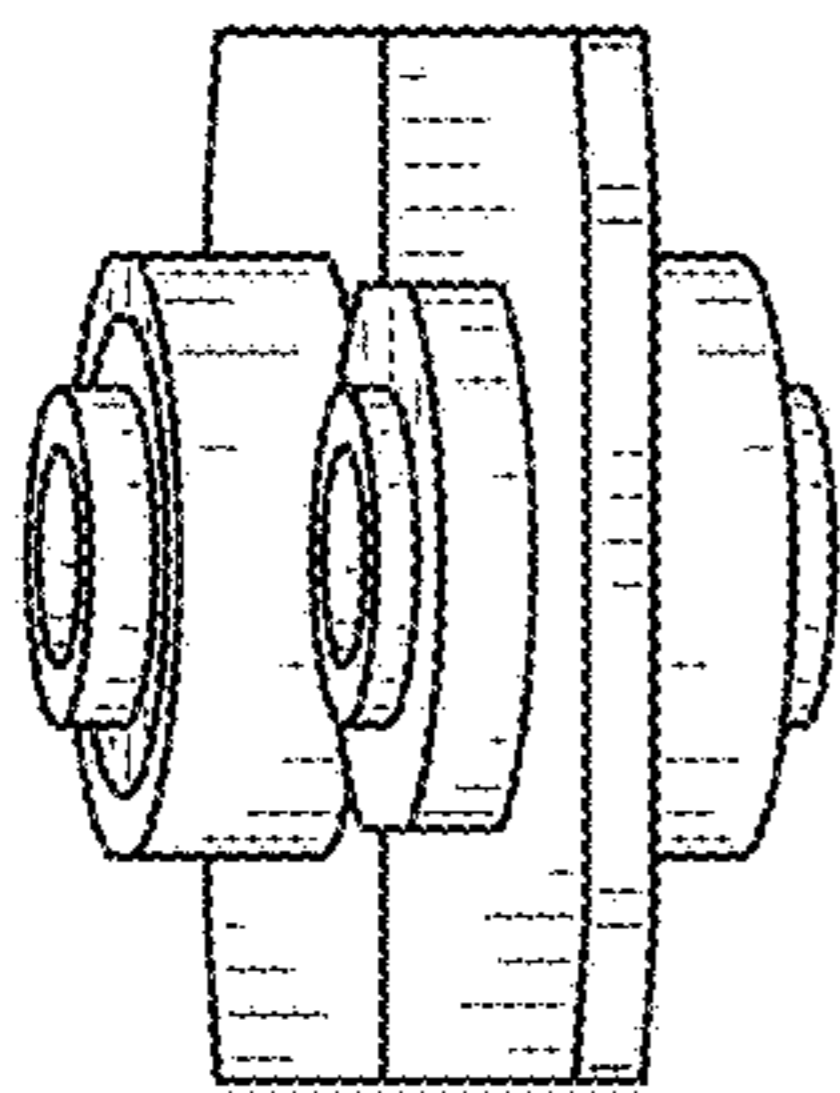


FIG. 3

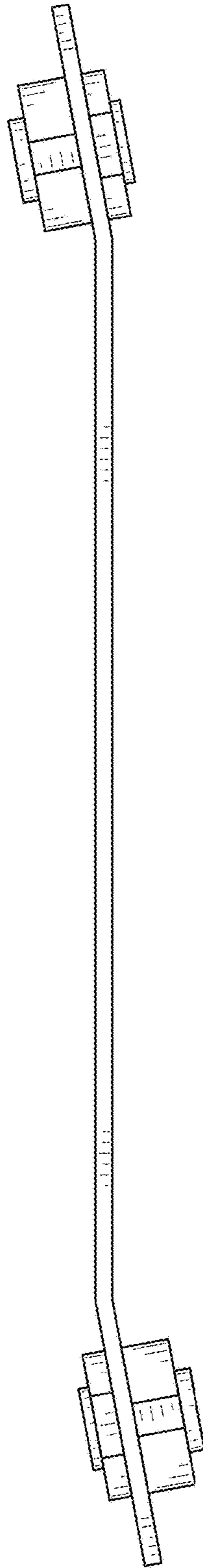


FIG. 4

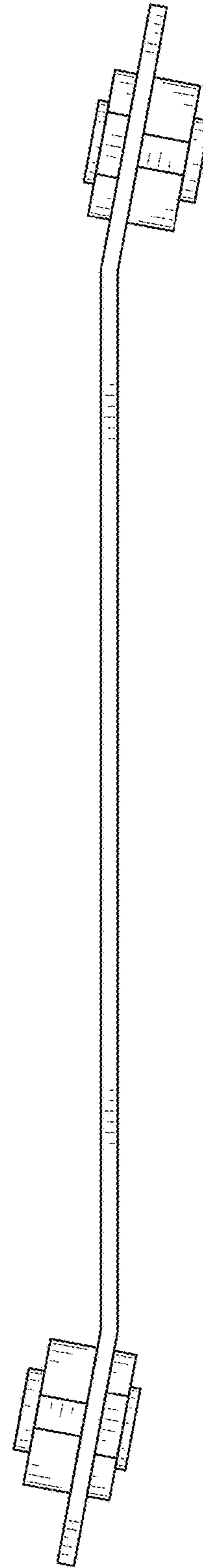


FIG. 5

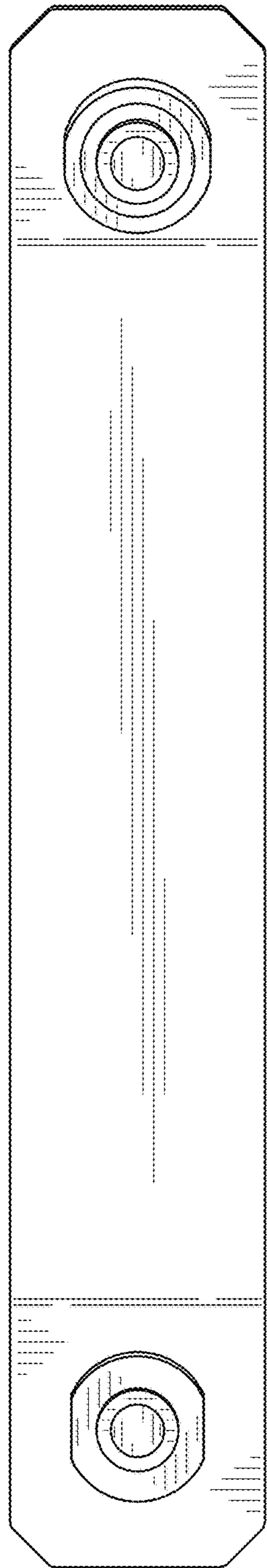


FIG. 6

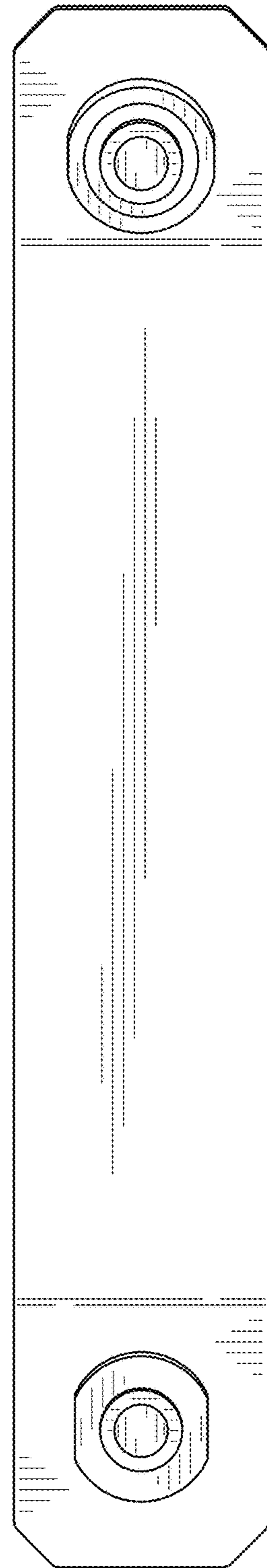


FIG. 7

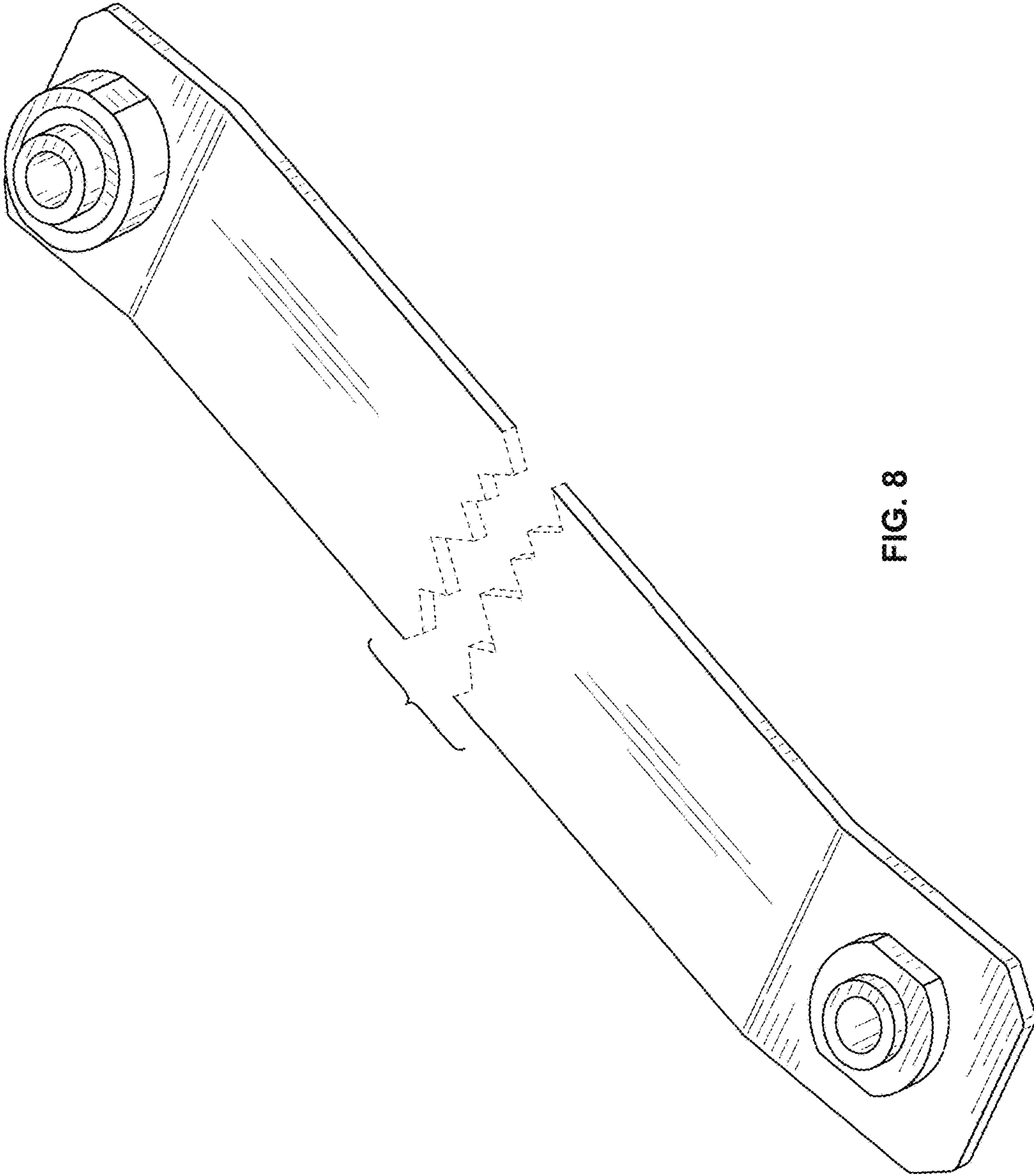


FIG. 8