



US00D815499S

(12) **United States Design Patent**
Chen

(10) **Patent No.:** **US D815,499 S**
(45) **Date of Patent:** **** Apr. 17, 2018**

- (54) **VEGETABLE PROCESSOR**
- (71) Applicant: **SHUANGMA PLASTIC MANUFACTURING INC.**, Linhai, Zhejiang Province (CN)
- (72) Inventor: **Cui-Hong Chen**, Linhai (CN)
- (73) Assignee: **SHUANGMA PLASTIC MANUFACTURING INC.**, Linhai, Zhejiang Province (CN)
- (**) Term: **15 Years**
- (21) Appl. No.: **29/581,456**
- (22) Filed: **Oct. 19, 2016**
- (30) **Foreign Application Priority Data**
Aug. 29, 2016 (CN) 2016 3 0435308
- (51) **LOC (11) Cl.** **07-04**
- (52) **U.S. Cl.**
USPC **D7/693**
- (58) **Field of Classification Search**
USPC D7/693, 381-384, 669, 672, 368
CPC B26D 3/11; B26D 7/0666; A47J 17/00;
A47J 17/02; A47J 17/16; A23N 7/002;
A23N 7/026
See application file for complete search history.
- (56) **References Cited**
U.S. PATENT DOCUMENTS
5,690,022 A * 11/1997 Chai A23N 7/026
99/541
6,053,098 A * 4/2000 Yamamoto B26D 3/11
83/425.1

- 6,516,713 B1 * 2/2003 Holmander A23N 7/026
99/541
- 6,854,383 B2 * 2/2005 Wang A47J 17/16
99/542
- 7,077,058 B2 * 7/2006 Muro A47J 17/16
99/541
- D689,348 S * 9/2013 Wong D7/693
- D779,294 S * 2/2017 Friedman D7/693
- D793,181 S * 8/2017 Wong D7/693
- 2012/0090480 A1 * 4/2012 Caspar B26D 3/11
99/537
- 2016/0250768 A1 * 9/2016 Levine B26D 3/11
83/52
- 2016/0257013 A1 * 9/2016 Exley B26D 3/11

* cited by examiner

Primary Examiner — Terry A Wallace

(74) *Attorney, Agent, or Firm* — Locke Lord LLP; Tim Tingkang Xia, Esq.

(57) **CLAIM**

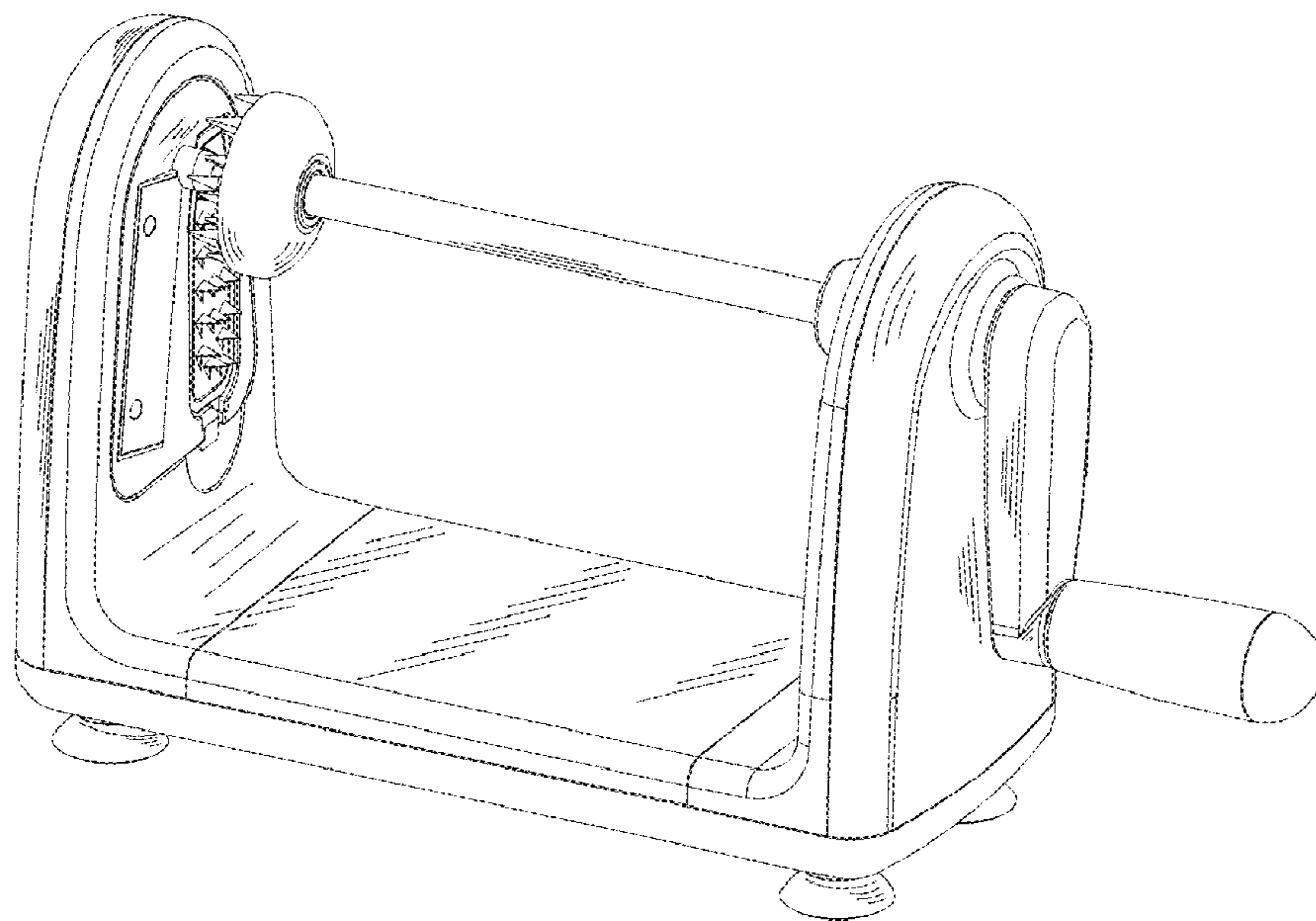
The ornamental design for a vegetable processor, as shown and described.

DESCRIPTION

FIG. 1 is a perspective view of a vegetable processor according to our new design;
FIG. 2 is a front elevation view thereof;
FIG. 3 is a rear elevation view thereof;
FIG. 4 is a left side elevation view thereof;
FIG. 5 is a right side elevation view thereof;
FIG. 6 is a top plan view thereof; and,
FIG. 7 is a bottom plan view thereof.

The broken lines illustrating portions of the vegetable processor and/or environmental structures of the vegetable processor form no part of the claimed design.

1 Claim, 7 Drawing Sheets



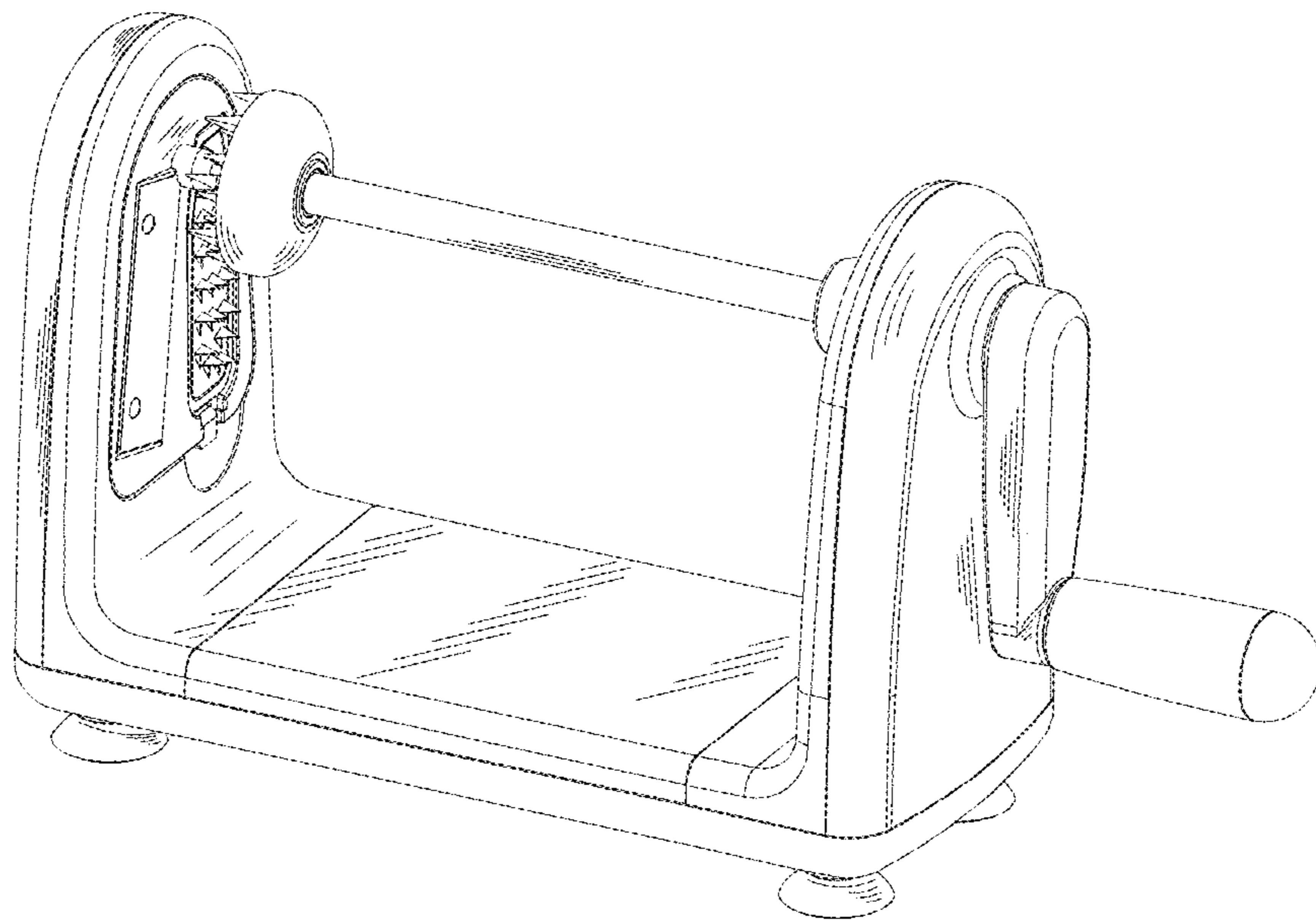


FIG. 1

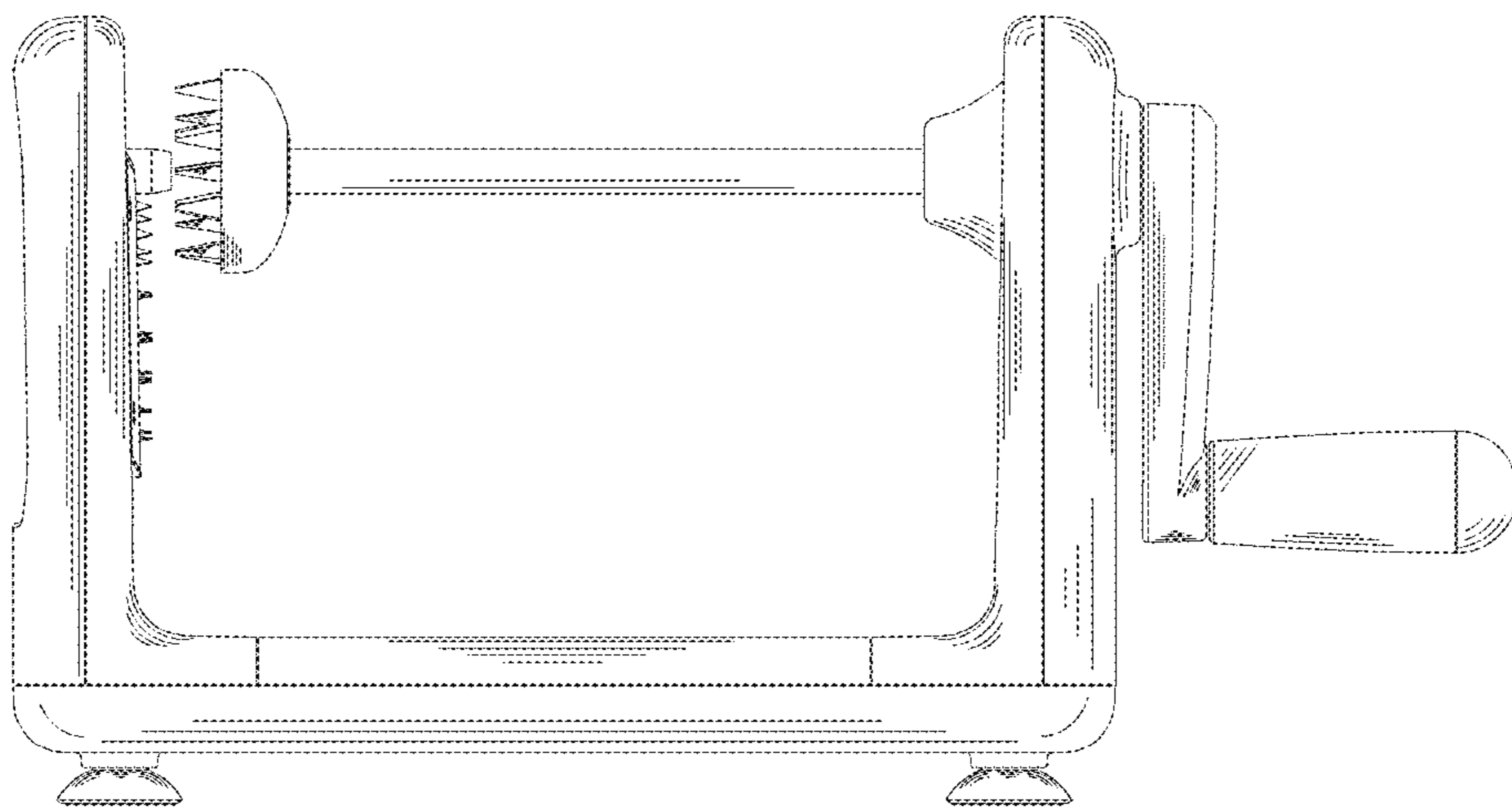


FIG. 2

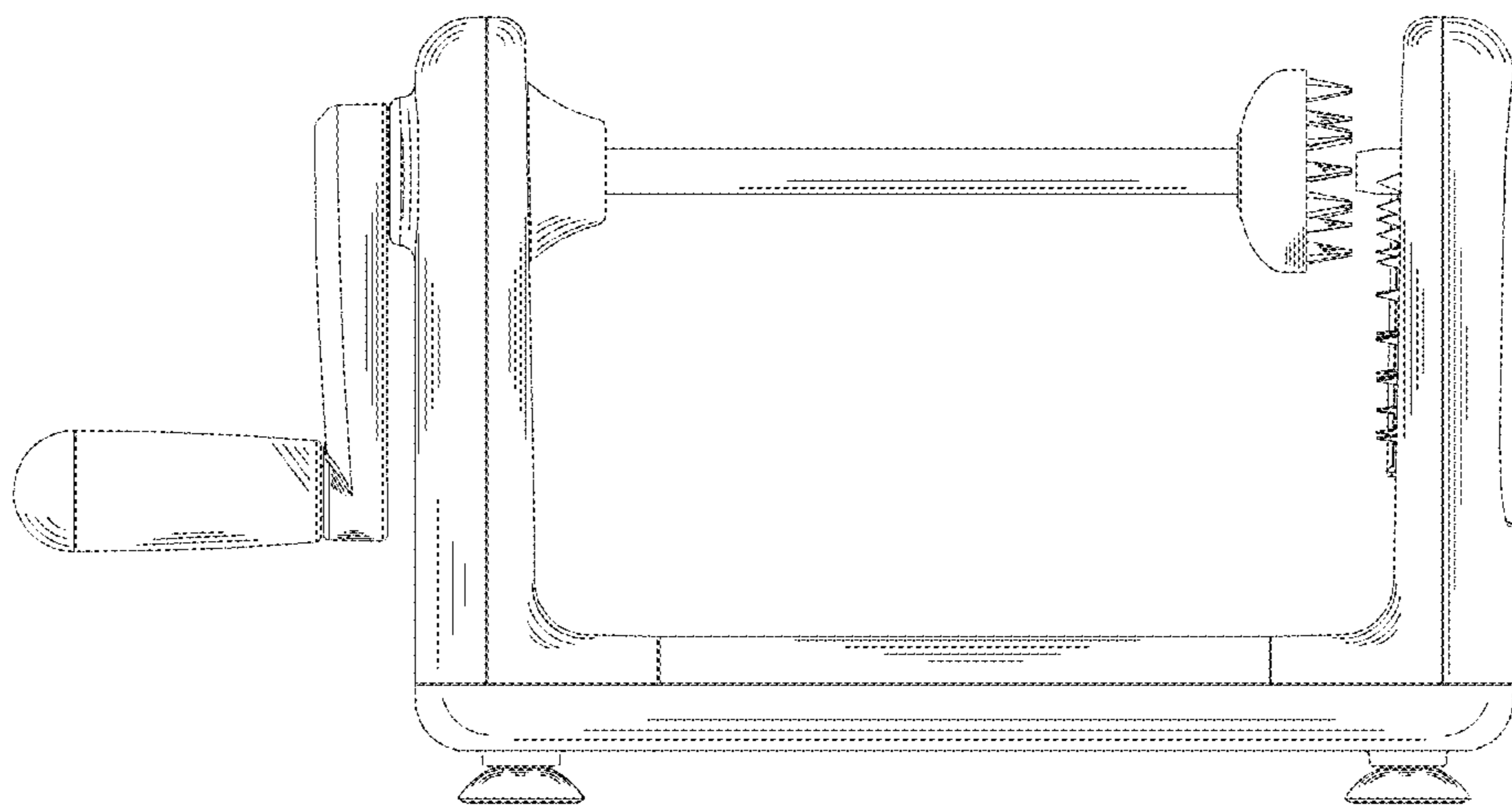


FIG. 3

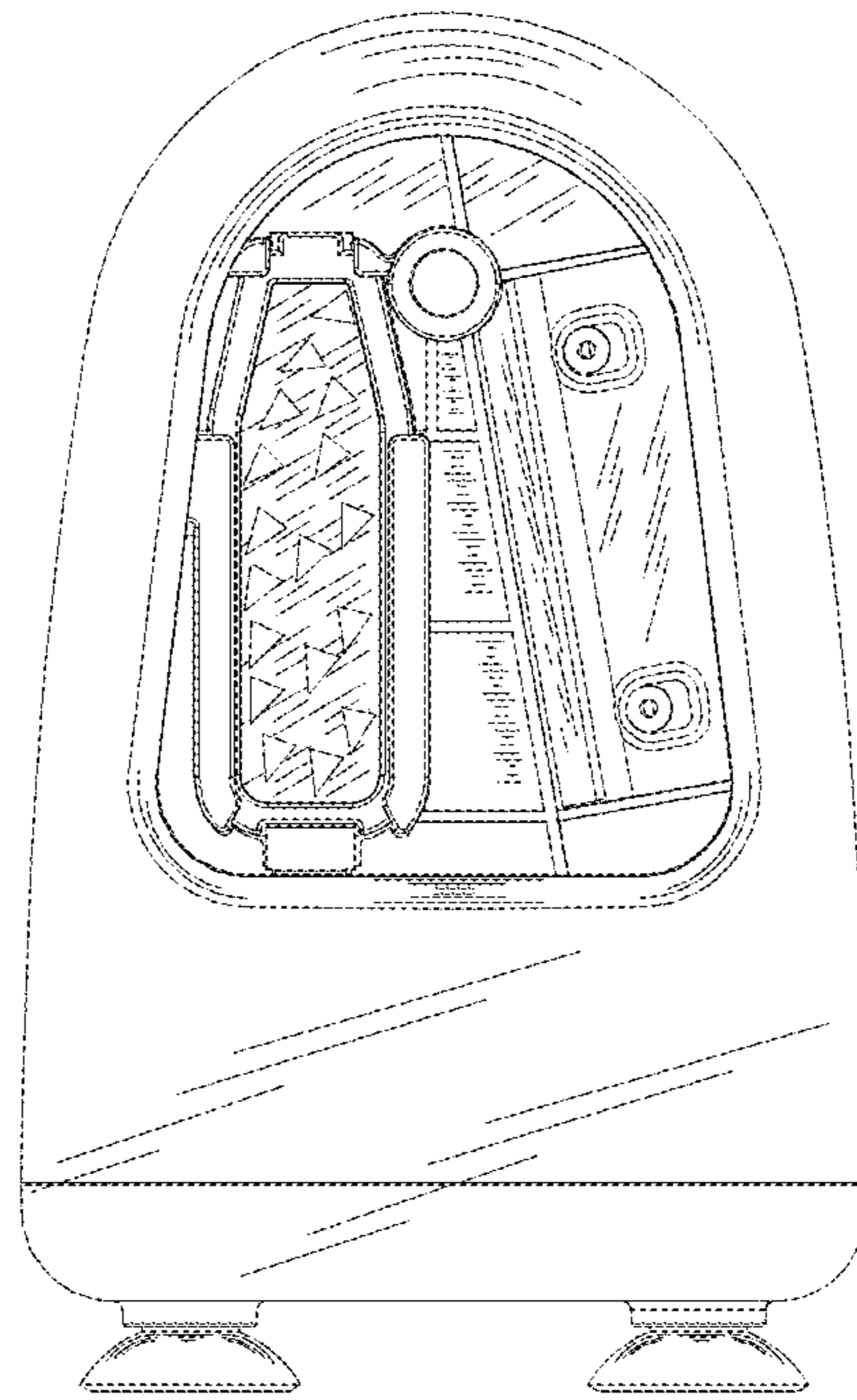


FIG. 4

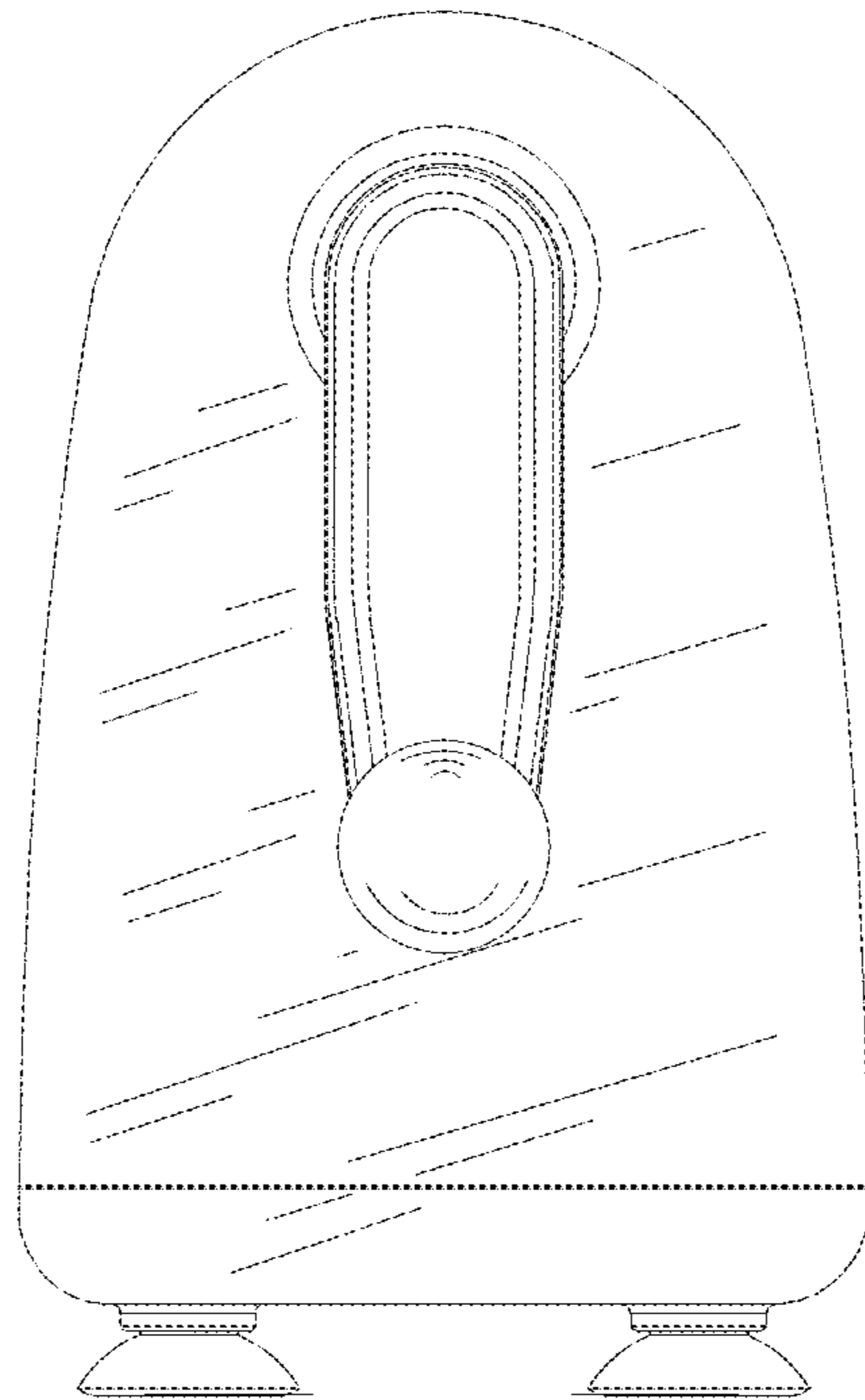


FIG. 5

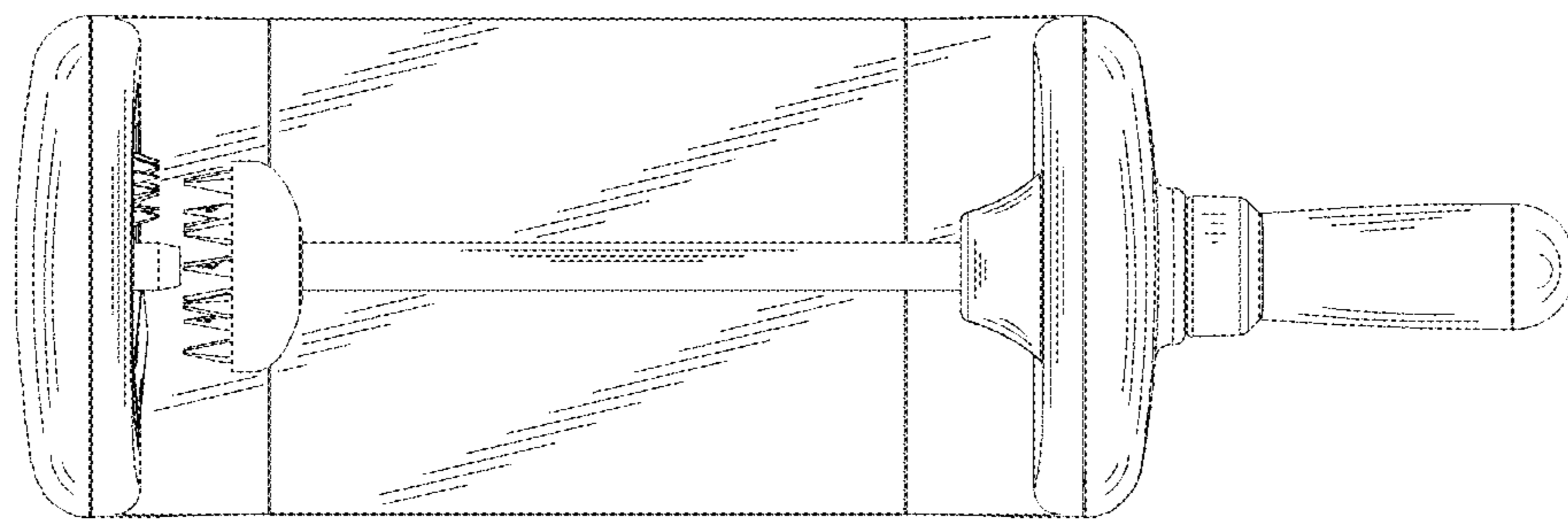


FIG. 6

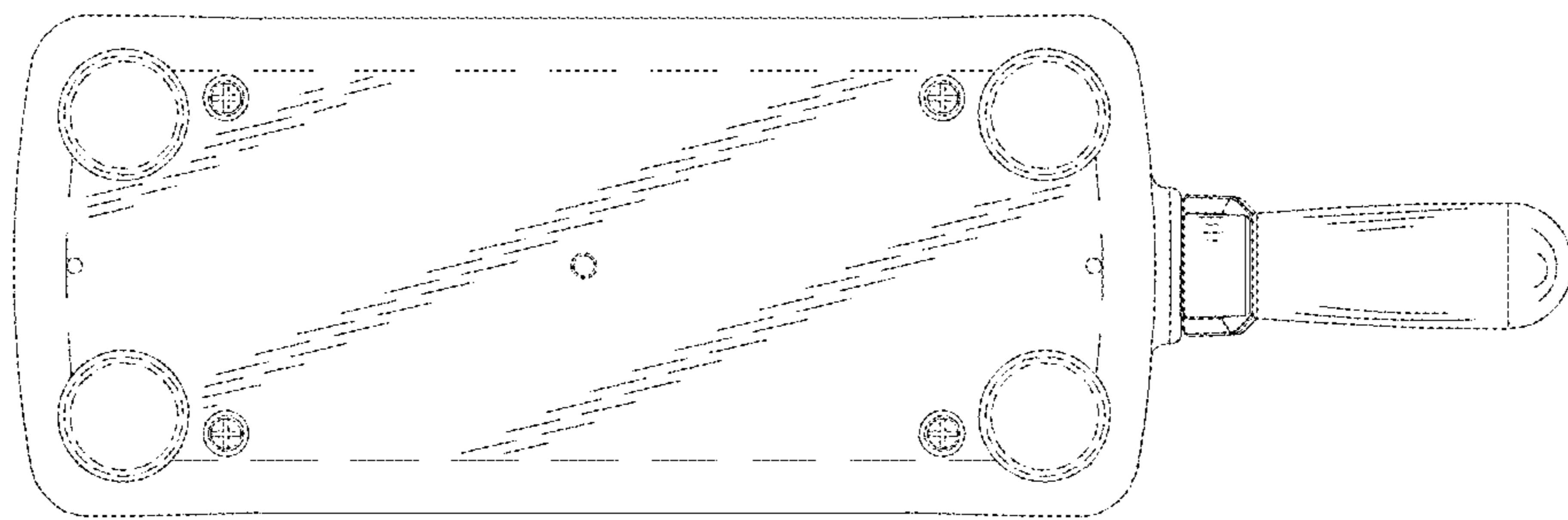


FIG. 7