



US00D815497S

(12) **United States Design Patent**
Goodman et al.

(10) **Patent No.:** **US D815,497 S**
(45) **Date of Patent:** **** Apr. 17, 2018**

- (54) **BREAD BASKET**
- (71) Applicant: **Spectrum Diversified Designs, LLC**,
Streetsboro, OH (US)
- (72) Inventors: **Aaron D. Goodman**, Beachwood, OH
(US); **Phaysouk Xayoiphonh**, Akron,
OH (US); **Courtney K. Wilson**,
Chardon, OH (US)
- (73) Assignee: **Spectrum Diversified Designs, LLC**,
Streetsboro, OH (US)
- (**) Term: **15 Years**
- (21) Appl. No.: **29/554,841**
- (22) Filed: **Feb. 16, 2016**
- (51) **LOC (11) Cl.** **07-07**
- (52) **U.S. Cl.**
USPC **D7/609**
- (58) **Field of Classification Search**
USPC D7/600.4, 600.1, 609, 354, 360, 361,
D7/601, 602, 500, 504, 543, 545, 552.1,
D7/555, 566, 561, 560, 562, 584, 586,
D7/587, 704; D3/304, 306; D19/102,
D19/75; D32/56, 55, 58
CPC ... B65D 7/20; B65D 7/26; B65D 7/14; B65D
85/22; B65D 25/32; A47G 23/04
See application file for complete search history.

- (56) **References Cited**
U.S. PATENT DOCUMENTS
1,317,674 A * 10/1919 Alexander B65D 7/20
220/491
2,524,900 A * 10/1950 Einhorn B65D 7/26
220/494
2,936,146 A * 5/1960 Wunder A47D 7/04
108/152
D348,760 S * 7/1994 Linder D3/306

D399,381 S *	10/1998	Hoernig	D6/566
D512,223 S *	12/2005	Snell	D3/304
D526,454 S *	8/2006	Plikuhn	D3/306
D554,419 S *	11/2007	Thompson	D6/566
D584,056 S *	1/2009	Ghiorghie	D3/304
D588,814 S *	3/2009	Ghiorghie	D3/304
D588,815 S *	3/2009	Ghiorghie	D3/304
D616,680 S *	6/2010	Snider	D6/513
D626,909 S *	11/2010	Chen	D12/407
D631,301 S *	1/2011	Goodman	D7/602
D634,121 S *	3/2011	Goodman	D3/306
D637,000 S *	5/2011	Goodman	D3/306
D637,850 S *	5/2011	Ghiorghie	D3/306
D655,516 S *	3/2012	Lee	D6/304
D670,913 S *	11/2012	Lee	D3/304
D697,371 S *	1/2014	Goodman	D3/306
D701,397 S *	3/2014	Snider	D6/566
D718,054 S *	11/2014	Goodman	D3/306
D720,538 S *	1/2015	Goodman	D3/304
D745,279 S *	12/2015	Goodman	D3/304
D747,932 S *	1/2016	Goodman	D7/601
D761,062 S *	7/2016	Goodman	D7/601
D762,397 S *	8/2016	Goodman	D6/537

(Continued)

Primary Examiner — Shannon Morgan
(74) *Attorney, Agent, or Firm* — Benesch, Friedlander,
Coplan & Aronoff LLP

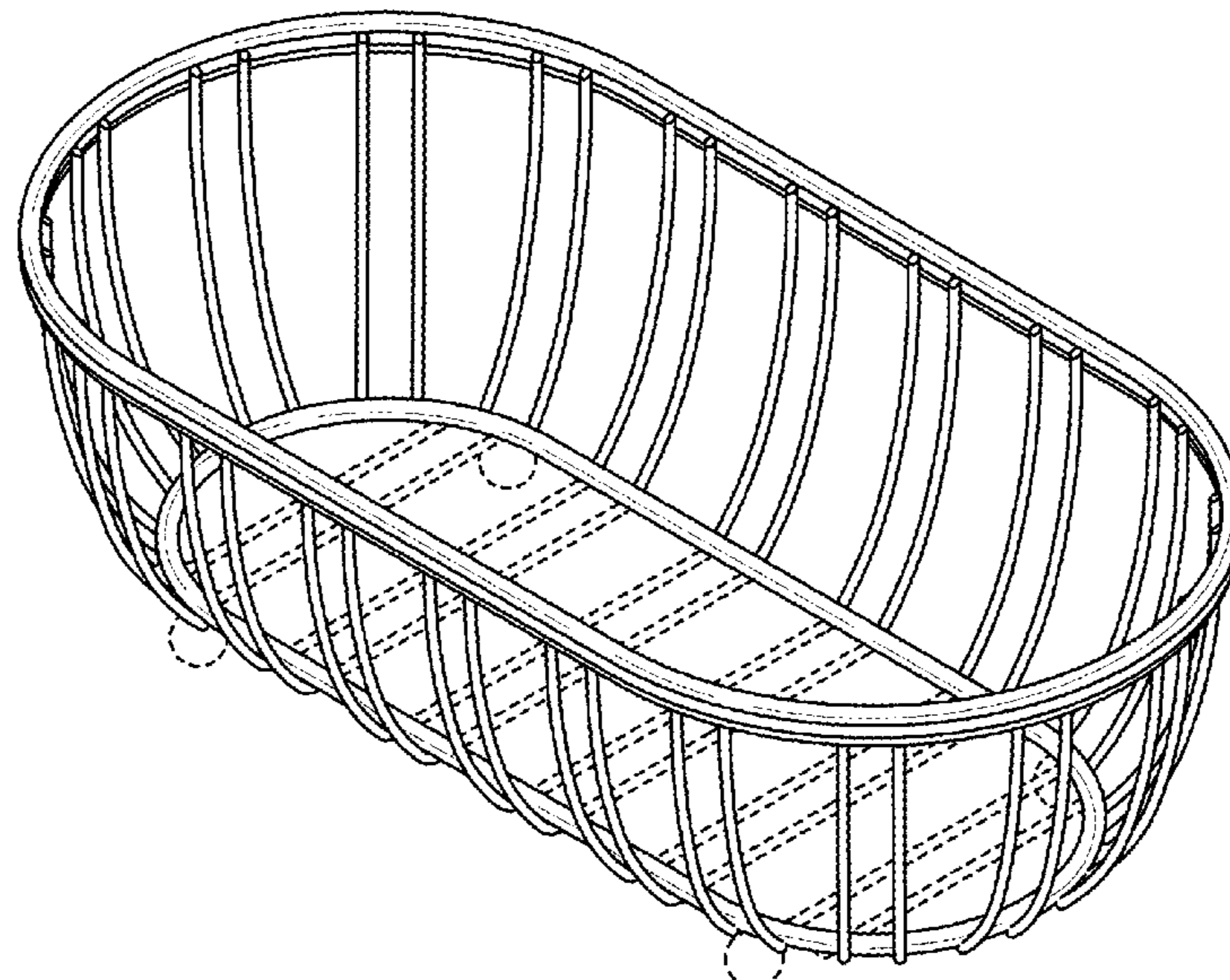
(57) **CLAIM**

The ornamental design for a bread basket, as shown and described.

DESCRIPTION

FIG. 1 is a perspective view of a bread basket showing a new design;
FIG. 2 is a front view of the bread basket of FIG. 1;
FIG. 3 is a side view of the bread basket of FIG. 1;
FIG. 4 is a top view of the bread basket of FIG. 1; and,
FIG. 5 is a bottom view of the bread basket of FIG. 1.
The broken lines in the figures depict portions of the bread basket that form no part of the claimed design.

1 Claim, 3 Drawing Sheets



(56)

References Cited

U.S. PATENT DOCUMENTS

D767,469 S * 9/2016 Liu D12/407
D770,801 S * 11/2016 Goodman D6/549
D778,685 S * 2/2017 Goodman D7/601
D784,697 S * 4/2017 Goodman D3/306
D784,700 S * 4/2017 Goodman D3/306
2008/0017680 A1* 1/2008 Lee B62J 9/003
224/412
2011/0272446 A1* 11/2011 Chen B62J 9/003
224/419
2012/0037648 A1* 2/2012 Goodman A47G 19/30
220/668
2012/0152993 A1* 6/2012 Chen B62J 9/00
224/419
2017/0066550 A1* 3/2017 Tsai B65D 25/22

* cited by examiner

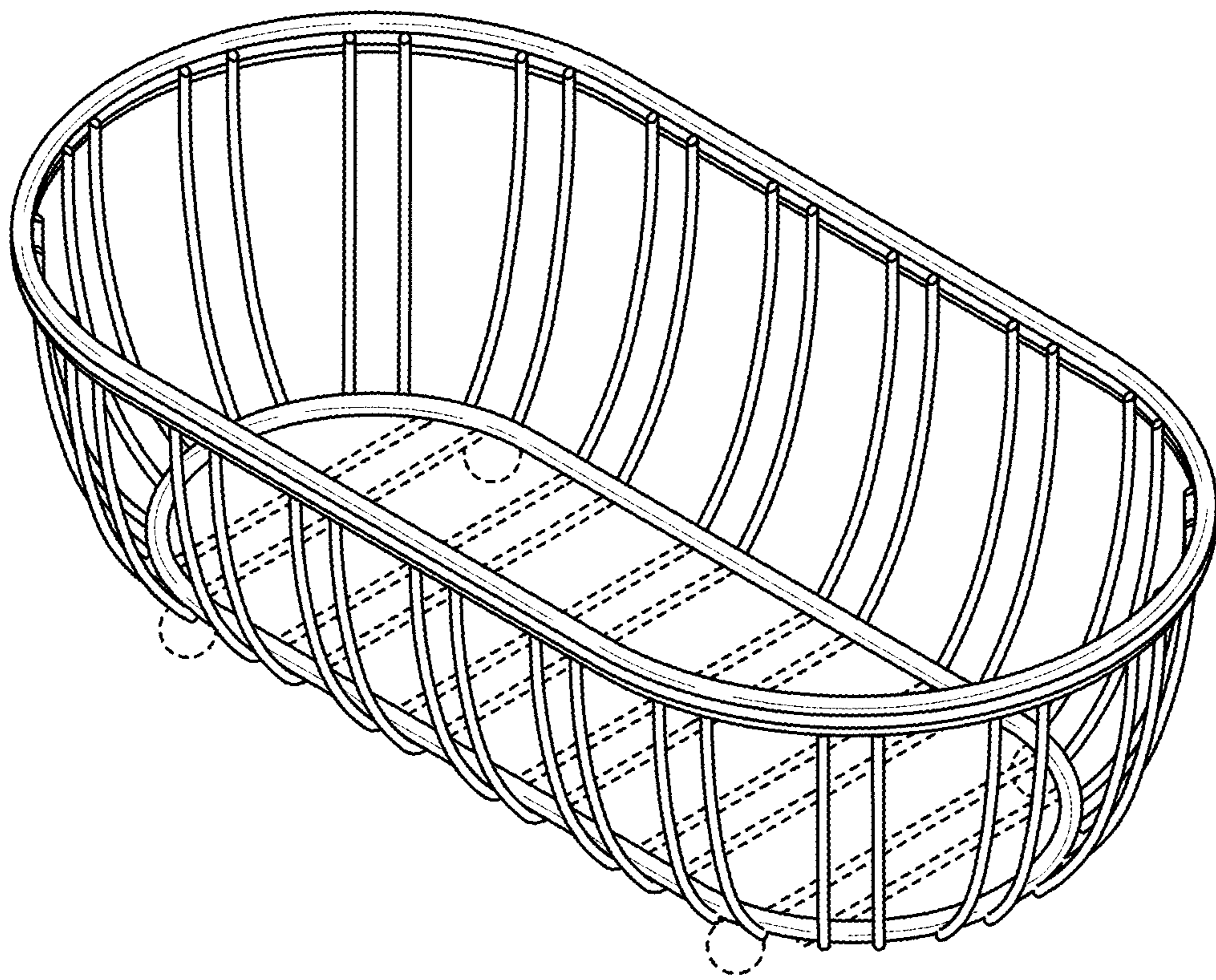


FIG. 1

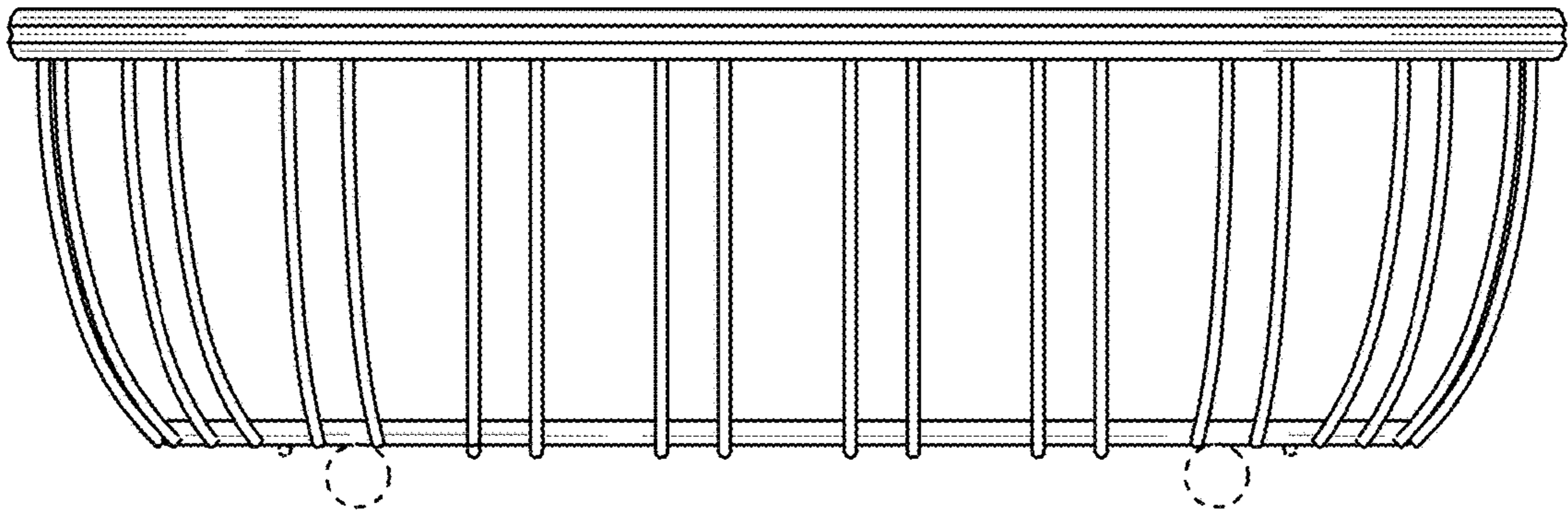


FIG. 2

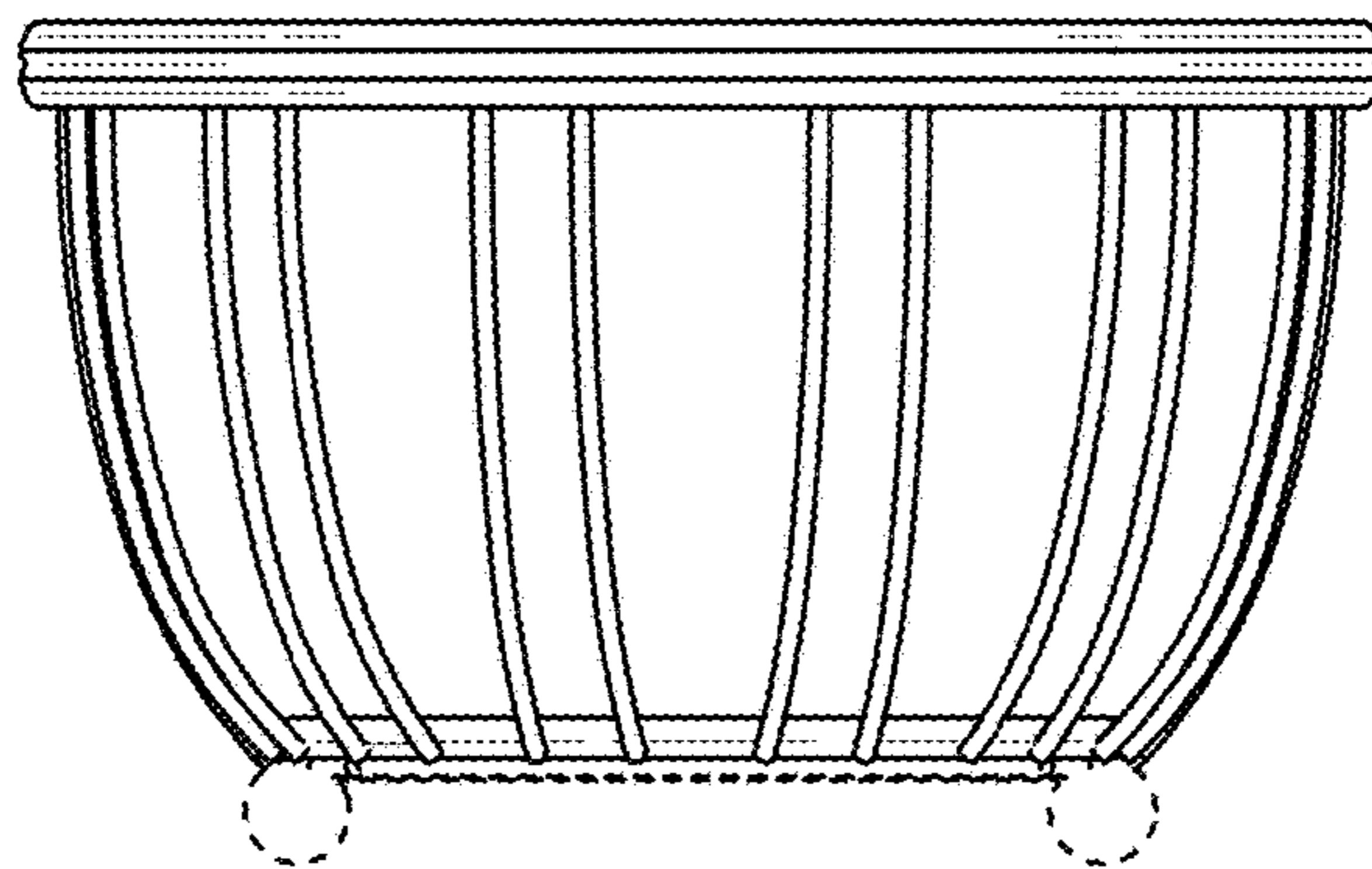


FIG. 3

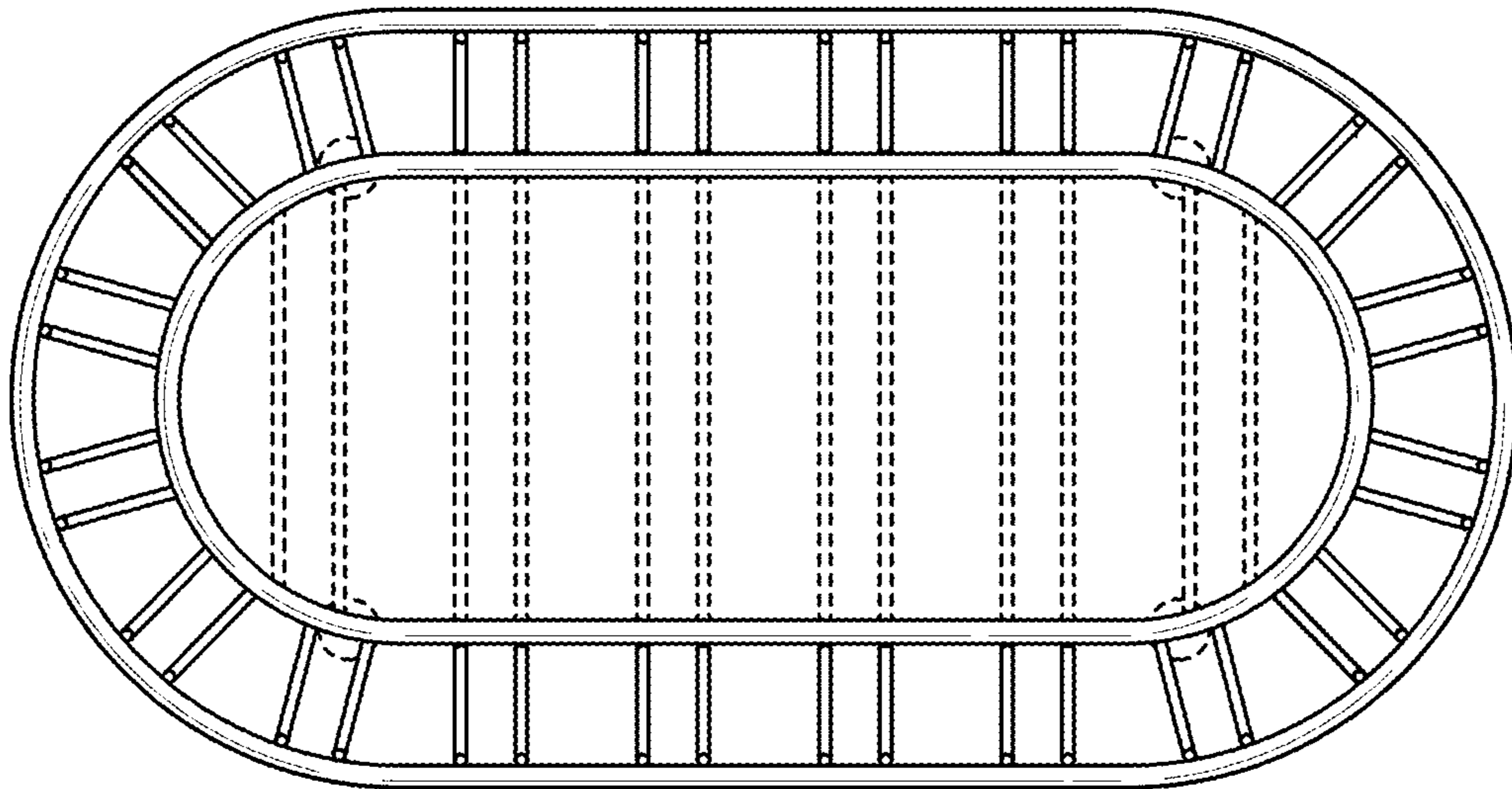


FIG. 4

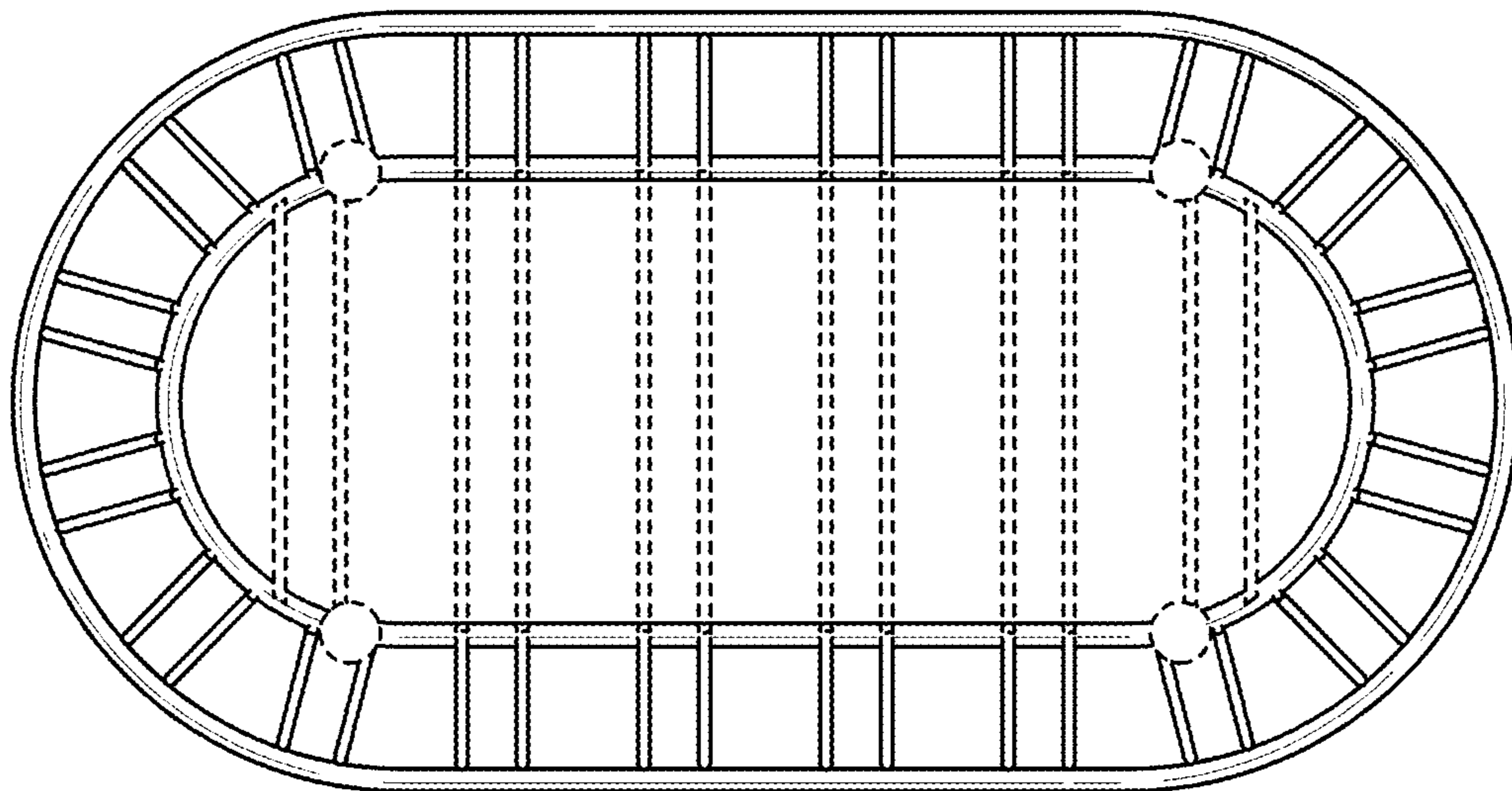


FIG. 5