



US00D815496S

(12) **United States Design Patent** (10) **Patent No.:** **US D815,496 S**
Larson et al. (45) **Date of Patent:** **** Apr. 17, 2018**

(54) **INSULATING DEVICE**

FOREIGN PATENT DOCUMENTS

(71) Applicant: **YETI Coolers, LLC**, Austin, TX (US)

BE 1015808 A6 9/2005
CA 2300014 A1 8/2001

(72) Inventors: **Erik Steven Larson**, Austin, TX (US);
Derek G. Sullivan, Austin, TX (US);
Laura Flores, Austin, TX (US)

(Continued)

(73) Assignee: **YETI Coolers, LLC**, Austin, TX (US)

United States District Court Western District of Texas Austin Division, "Complaint," *YETI Coolers, LLC v. Glacier Coolers, LLC, and Tecomate Holdings, LLC*, Case 1:17-cv-00586, Document 1, filed Jun. 15, 2017, 161 pages.

(**) Term: **15 Years**

(21) Appl. No.: **29/580,946**

(Continued)

(22) Filed: **Oct. 14, 2016**

Primary Examiner — Terry Wallace

(51) **LOC (11) Cl.** **07-01**

(74) *Attorney, Agent, or Firm* — Banner & Witcoff, Ltd.

(52) **U.S. Cl.**

USPC **D7/607**

(58) **Field of Classification Search**

(57) **CLAIM**

USPC D7/605, 607, 709, 710, 629; D3/283, D3/289

The ornamental design for an insulating device, as shown and described.

CPC F25D 2331/804; F25D 3/08; B65D 30/08; B65D 81/3858; B65D 81/3823; B65D 81/3888; B65D 81/18; B65D 8/18; B65D 31/04; A45C 11/20

See application file for complete search history.

DESCRIPTION

(56) **References Cited**

U.S. PATENT DOCUMENTS

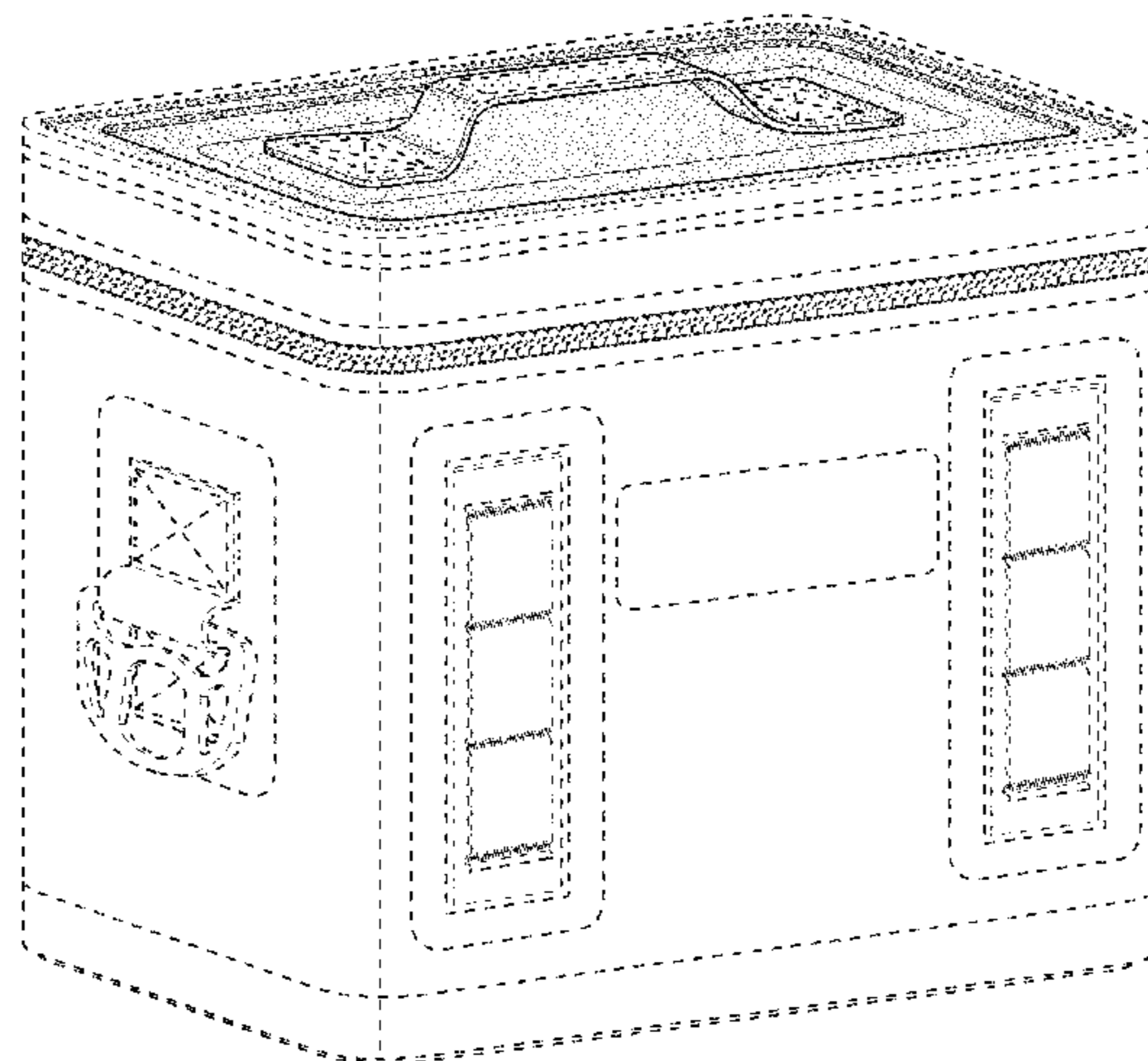
1,949,677 A 3/1934 Crawford
2,119,621 A 6/1938 Ferrone
2,253,598 A 8/1941 Africa
2,289,254 A 7/1942 Eagles
2,522,381 A 9/1950 Kramer
2,575,191 A 11/1951 Seipp
2,633,223 A 3/1953 Zeamer
2,661,785 A 12/1953 Daust
2,685,385 A 8/1954 Kuss
2,808,093 A 10/1957 Gilman
2,954,891 A 10/1960 Imber
3,066,846 A 12/1962 Domigan
3,454,197 A 7/1969 Thompson

(Continued)

FIG. 1 is a top, front, left perspective view of an insulating device showing our new design;
FIG. 2 is a front view thereof;
FIG. 3 is a rear view thereof;
FIG. 4 is a right side view thereof;
FIG. 5 is a left side view thereof;
FIG. 6 is a top view thereof; and,
FIG. 7 is a bottom view thereof.

The contrast in shading represents a contrast in appearance only and does not represent any particular color, material, texture or finish. The broken lines immediately adjacent to the shaded area represent unclaimed boundaries of the design. The broken lines showing the remainder of the insulating device are for environmental purposes only and form no part of the claimed design.

1 Claim, 7 Drawing Sheets



(56)

References Cited

U.S. PATENT DOCUMENTS

3,801,425 A	4/1974	Cook	5,595,320 A	1/1997	Aghassipour
3,814,288 A	6/1974	Westrich	D383,360 S	9/1997	Melk
3,905,511 A	9/1975	Groendal	5,680,944 A	10/1997	Rueter
4,125,212 A	11/1978	Courchesne	5,680,958 A	10/1997	Mann et al.
4,127,155 A	11/1978	Hydorn	D386,310 S	11/1997	Smith
4,194,627 A	3/1980	Christensen	5,687,874 A	11/1997	Omori et al.
4,196,817 A	4/1980	Moser	D387,249 S	12/1997	Mogil
4,197,890 A	4/1980	Simko	5,706,969 A	1/1998	Yamada et al.
4,211,091 A	7/1980	Campbell	D394,553 S	5/1998	Lin
4,248,366 A	2/1981	Christiansen	D395,555 S	6/1998	Ursitti
4,344,303 A	8/1982	Kelly, Jr.	5,758,513 A	6/1998	Smith
4,372,453 A	2/1983	Branscum	D397,273 S	8/1998	Collie
4,375,828 A	3/1983	Biddison	5,816,709 A	10/1998	Demus
4,399,668 A	8/1983	Williamson	D401,063 S	11/1998	Yamamoto et al.
4,468,933 A	9/1984	Christopher	5,842,571 A	12/1998	Rausch
4,513,895 A	4/1985	Leslie	5,845,514 A	12/1998	Clarke et al.
4,537,313 A	8/1985	Workman	5,848,734 A	12/1998	Melk
4,541,540 A	9/1985	Gretz et al.	5,857,778 A	1/1999	Ells
D281,122 S	10/1985	Bomes et al.	5,909,821 A	6/1999	Guridi
D281,546 S	12/1985	Bradshaw	5,913,448 A	6/1999	Mann et al.
4,571,338 A	2/1986	Okonogi et al.	5,915,580 A	6/1999	Melk
4,595,101 A	6/1986	Rivera	5,931,583 A	8/1999	Collie
4,596,370 A	6/1986	Adkins	5,988,468 A	11/1999	Murdoch et al.
4,598,746 A	7/1986	Rabinowitz	5,988,879 A	11/1999	Bredderman et al.
4,679,242 A	7/1987	Brockhaus	6,019,245 A	2/2000	Foster et al.
4,708,254 A	11/1987	Byrns	6,027,249 A	2/2000	Bielinski
4,746,028 A	5/1988	Bagg	6,029,847 A	2/2000	Mahoney, Jr. et al.
4,759,077 A	7/1988	Leslie	D424,417 S	5/2000	Axelsson
4,765,476 A	8/1988	Lee	6,059,140 A	5/2000	Hicks
4,796,937 A	1/1989	Andrea	6,065,873 A	5/2000	Fowler
4,802,344 A	2/1989	Livingston et al.	6,068,402 A	5/2000	Freese et al.
4,802,602 A	2/1989	Evans et al.	6,073,796 A	6/2000	Mogil
4,812,054 A	3/1989	Kirkendall	6,082,589 A	7/2000	Ash et al.
4,826,060 A	5/1989	Hollingsworth	6,082,896 A	7/2000	Pulli
4,858,444 A	8/1989	Scott	6,089,038 A	7/2000	Tattam
4,867,214 A	9/1989	Fuller	6,092,266 A	7/2000	Lee
4,886,183 A	12/1989	Fleming	6,128,915 A	10/2000	Wagner
4,941,603 A	7/1990	Creamer et al.	6,145,715 A	11/2000	Slonim
4,984,906 A	1/1991	Little	6,149,305 A	11/2000	Fier
4,986,089 A	1/1991	Raab	6,193,034 B1	2/2001	Fournier
4,989,418 A	2/1991	Hewlett	6,220,473 B1	4/2001	Lehman et al.
5,004,091 A	4/1991	Natho et al.	6,234,677 B1	5/2001	Mogil
5,005,679 A	4/1991	Hjelle	6,253,570 B1	7/2001	Lustig
5,042,664 A	8/1991	Shyr et al.	6,276,579 B1	8/2001	DeLoach
5,048,734 A	9/1991	Long	D447,667 S	9/2001	Schneider et al.
5,062,557 A	11/1991	Mahvi et al.	6,286,709 B1	9/2001	Hudson
5,190,376 A	3/1993	Book	6,296,134 B1	10/2001	Cardinale
5,216,900 A	6/1993	Jones	6,296,165 B1	10/2001	Mears
5,221,016 A	6/1993	Karpal	6,336,577 B1	1/2002	Harris et al.
5,237,838 A	8/1993	Merritt-Munson	6,353,215 B1	3/2002	Revels et al.
5,244,136 A	9/1993	Collaso	D455,934 S	4/2002	Culp et al.
D339,979 S	10/1993	Wehrley	6,409,066 B1	6/2002	Schneider et al.
D340,387 S	10/1993	Melk	6,422,032 B1	7/2002	Greene
D340,621 S	10/1993	Melk	D464,235 S	10/2002	Jeong
D340,840 S	11/1993	Melk	D465,134 S	11/2002	Joss
5,269,368 A	12/1993	Schneider et al.	6,481,239 B2	11/2002	Hodosh et al.
D343,992 S	2/1994	Melk	D466,291 S	12/2002	Ng
5,297,870 A	3/1994	Weldon	6,495,194 B2	12/2002	Sato et al.
5,313,807 A	5/1994	Owen	6,505,479 B2	1/2003	Defelice et al.
5,325,991 A	7/1994	Williams	6,511,695 B1	1/2003	Paquin et al.
5,354,131 A	10/1994	Mogil	D472,431 S	4/2003	Spence, Jr.
5,355,684 A	10/1994	Guice	6,554,155 B1	4/2003	Beggins
5,398,848 A	3/1995	Padamsee	D474,649 S	5/2003	Spence, Jr.
5,400,610 A	3/1995	Macedo	6,582,124 B2	6/2003	Mogil
5,403,095 A	4/1995	Melk	D476,481 S	7/2003	Gilbert
5,421,172 A	6/1995	Jones	6,595,687 B2	7/2003	Godshaw et al.
5,447,764 A	9/1995	Langford	D478,782 S *	8/2003	Li D7/607
5,490,396 A	2/1996	Morris	6,604,649 B1	8/2003	Campi
D370,599 S	6/1996	Christopher et al.	6,605,311 B2	8/2003	Villagran et al.
D371,052 S	6/1996	Melk	6,619,447 B1	9/2003	Garcia, III et al.
5,529,217 A	6/1996	Siegel	6,629,430 B2	10/2003	Mills et al.
D373,515 S	9/1996	Melk	D482,241 S	11/2003	Tyler
5,562,228 A	10/1996	Ericson	6,652,933 B2	11/2003	Hall
5,564,568 A	10/1996	Rankin, Sr.	6,655,543 B2	12/2003	Beuke
5,569,401 A	10/1996	Gilliland et al.	D485,131 S	1/2004	Lanman et al.
			D485,732 S	1/2004	Lanman et al.
			D486,038 S	2/2004	Lanman et al.
			6,729,758 B1	5/2004	Carter
			D492,160 S *	6/2004	Lanman D7/605

(56)

References Cited

U.S. PATENT DOCUMENTS

D497,518 S	10/2004	Bellofatto, Jr. et al.	8,453,899 B1	6/2013	Calkin
6,799,693 B2	10/2004	Meza	8,474,640 B2	7/2013	Armstrong
D498,924 S	11/2004	Karl	8,516,848 B2	8/2013	White et al.
D502,599 S	3/2005	Cabana et al.	8,544,678 B1	10/2013	Hughes
D503,279 S	3/2005	Smith	8,573,002 B2	11/2013	Ledoux et al.
6,874,356 B2	4/2005	Kornfeldt et al.	D695,568 S	12/2013	Hayes
D506,645 S	6/2005	Bellofatto, Jr. et al.	8,622,235 B2	1/2014	SucHECKI
D512,274 S	12/2005	Cabey	D699,940 S	2/2014	Robert
D515,362 S	2/2006	Chan	D699,941 S	2/2014	Robert
D517,801 S	3/2006	Woo	D703,946 S	5/2014	Tweedie
D520,306 S	5/2006	Peterson	8,720,739 B2	5/2014	Bollis
D523,243 S	6/2006	Nashmy	D711,096 S	8/2014	Hanna
D527,226 S	8/2006	Maldonado	D712,555 S	9/2014	Berg
D530,089 S	10/2006	Silverman	8,827,109 B1	9/2014	Sheehan
7,153,025 B1	12/2006	Jackson et al.	8,844,756 B2	9/2014	Beyburg
D534,771 S	1/2007	Zorn	D715,544 S	10/2014	Levine
7,162,890 B2	1/2007	Mogil et al.	D718,931 S	12/2014	Brundl
D539,033 S	3/2007	Cassegrain	D719,303 S	12/2014	Anderson
7,201,285 B2	4/2007	Beggins	8,899,071 B2	12/2014	Mogil et al.
7,207,716 B2	4/2007	Buchanan et al.	D725,908 S	4/2015	Zwetzig
7,219,814 B2	5/2007	Lown et al.	D728,942 S	5/2015	Byham
7,240,513 B1	7/2007	Conforti	D732,348 S	6/2015	Seiders et al.
7,264,134 B2	9/2007	Tulp	D732,349 S	6/2015	Seiders et al.
D557,667 S	12/2007	Kawamura et al.	D732,350 S	6/2015	Seiders et al.
7,302,810 B2	12/2007	McCrary	D732,899 S	6/2015	Seiders et al.
D560,102 S	1/2008	Sumter	D734,643 S	7/2015	Boroski
7,313,927 B2	1/2008	Barker	D734,992 S	7/2015	Boroski
7,344,028 B2	3/2008	Hanson	9,084,463 B2	7/2015	Merrill
D570,603 S	6/2008	Wu et al.	D738,108 S	9/2015	Adler et al.
D573,422 S	7/2008	Tagliati et al.	D739,654 S	9/2015	Brouard
D574,667 S	8/2008	Grabijas, III et al.	9,139,352 B2	9/2015	Seiders et al.
D578,401 S	10/2008	Perry et al.	9,146,051 B2	9/2015	Kamin et al.
7,481,065 B2	1/2009	Krieger	D747,104 S	1/2016	Ford
D598,194 S	8/2009	Turvey et al.	9,226,558 B2	1/2016	Armstrong
7,597,478 B2	10/2009	Pruchnicki et al.	9,254,022 B2	2/2016	Meldeau et al.
7,634,919 B2	12/2009	Bernhard, Jr. et al.	9,254,023 B2	2/2016	Su et al.
D607,697 S	1/2010	Whitlock et al.	9,265,318 B1	2/2016	Williams et al.
D608,096 S	1/2010	Noble	D752,347 S	3/2016	Seiders et al.
D608,159 S	1/2010	Whitlock et al.	9,271,553 B2	3/2016	Ponx
D610,795 S	3/2010	Dejadon	9,290,313 B2	3/2016	De Lesseux et al.
D611,706 S	3/2010	Angles et al.	D756,109 S	5/2016	Hayashi
7,682,080 B2	3/2010	Mogil	9,366,467 B2	6/2016	Kiedaisch et al.
D617,560 S	6/2010	Wu	D760,494 S	7/2016	Harvey-Pankey
7,730,739 B2	6/2010	Fuchs	D761,561 S	7/2016	Cheng
D618,966 S	7/2010	Koehler et al.	D763,570 S	8/2016	Potts
D619,423 S	7/2010	Koehler et al.	D764,791 S	8/2016	Patel
D619,854 S	7/2010	Koehler et al.	D770,763 S	11/2016	Joo et al.
D619,855 S	7/2010	Koehler et al.	D772,562 S	11/2016	Petre
D620,707 S	8/2010	Mogil	2002/0197369 A1	12/2002	Modler
D620,708 S	8/2010	Sanz	2003/0070447 A1	4/2003	Tanaka
7,775,388 B2	8/2010	Murrer, III	2003/0080133 A1	5/2003	Butler
7,784,759 B2	8/2010	Farrell	2003/0106895 A1	6/2003	Kalal
7,791,003 B2	9/2010	Lockhart et al.	2003/0136702 A1	7/2003	Redzisz et al.
7,811,620 B2	10/2010	Merrill et al.	2003/0175394 A1	9/2003	Modler
7,815,069 B1	10/2010	Bellofatto et al.	2004/0004111 A1	1/2004	Cardinale
D629,612 S	12/2010	Weldon	2004/0028296 A1	2/2004	Meli
7,874,177 B2	1/2011	Azamy	2004/0035143 A1	2/2004	Mogil
7,900,816 B2	3/2011	Kastanek et al.	2004/0074936 A1	4/2004	McDonald
D638,220 S	5/2011	Chu et al.	2004/0094589 A1	5/2004	Fricano
D642,870 S	8/2011	Whitlock et al.	2004/0144783 A1	7/2004	Anderson et al.
D645,662 S	9/2011	Perez	2004/0149600 A1	8/2004	Wolter et al.
8,016,090 B2	9/2011	McCoy et al.	2004/0164084 A1	8/2004	Cooper
8,043,004 B2	10/2011	Mogil	2004/0237266 A1	12/2004	Wang
D648,532 S	11/2011	Sosnovsky	2005/0016895 A1	1/2005	Glenn
D650,169 S	12/2011	Klifa	2005/0045520 A1	3/2005	Johnson
8,096,442 B2	1/2012	Ramundi	2005/0045521 A1	3/2005	Johnson et al.
8,191,747 B2	6/2012	Pruchnicki	2005/0196510 A1	9/2005	Walters
D664,261 S	7/2012	Kravitz et al.	2005/0262871 A1	12/2005	Bailey-Weston
8,209,995 B2	7/2012	Kieling et al.	2005/0263528 A1	12/2005	Maldonado et al.
D666,896 S	9/2012	Pinholster, Jr. et al.	2005/0279124 A1	12/2005	Maldonado
D667,043 S	9/2012	Couch, III	2006/0007266 A1	1/2006	Silverbrook
8,281,950 B2	10/2012	Potts et al.	2006/0102497 A1	5/2006	Wulf
D673,363 S	1/2013	Crandall	2006/0151533 A1	7/2006	Simunovic et al.
8,424,713 B2	4/2013	Bolland	2006/0201979 A1	9/2006	Achilles
D682,635 S	5/2013	Boroski	2006/0240159 A1	10/2006	Cash et al.
			2007/0012593 A1	1/2007	Kitchens et al.
			2007/0148305 A1	6/2007	Sherwood et al.
			2007/0148307 A1	6/2007	Sherwood et al.
			2007/0217187 A1	9/2007	Blakely et al.

(56)

References Cited

FOREIGN PATENT DOCUMENTS

U.S. PATENT DOCUMENTS

2007/0221693 A1 9/2007 Moore
 2007/0237432 A1 10/2007 Mogil
 2007/0261977 A1* 11/2007 Sakai A01K 97/06
 206/315.11
 2007/0274613 A1 11/2007 Pruchnicki et al.
 2007/0290816 A1 12/2007 Bedard
 2008/0038424 A1 2/2008 Krusemann
 2008/0073364 A1 3/2008 Simmons
 2008/0105282 A1 5/2008 Fernholz et al.
 2008/0128421 A1 6/2008 Ulbrand et al.
 2008/0160149 A1 7/2008 Nasrallah et al.
 2008/0164265 A1 7/2008 Conforti
 2008/0178865 A1 7/2008 Retterer
 2008/0245096 A1 10/2008 Hanson et al.
 2008/0260303 A1 10/2008 De Lesseux et al.
 2008/0305235 A1 12/2008 Gao et al.
 2009/0052809 A1 2/2009 Sampson
 2009/0095757 A1 4/2009 Ramundi
 2009/0280229 A1 11/2009 Constantine et al.
 2009/0311378 A1 12/2009 Wilaschin et al.
 2009/0317514 A1 12/2009 Sizer
 2010/0047423 A1 2/2010 Kruesemann et al.
 2010/0059199 A1 3/2010 Court
 2010/0075006 A1 3/2010 Semenza
 2010/0108694 A1 5/2010 Sedlbauer et al.
 2010/0136203 A1 6/2010 Sakata et al.
 2010/0143567 A1 6/2010 Ye et al.
 2010/0224660 A1 9/2010 Gleason
 2010/0284631 A1 11/2010 Lee
 2011/0003975 A1 1/2011 Arase et al.
 2011/0005739 A1 1/2011 Finney et al.
 2011/0030415 A1 2/2011 Breyburg et al.
 2011/0097442 A1 4/2011 Harju et al.
 2011/0108562 A1 5/2011 Lyons
 2011/0167863 A1 7/2011 Herrbold
 2011/0182532 A1 7/2011 Baltus
 2011/0191933 A1 8/2011 Gregory et al.
 2011/0284601 A1 11/2011 Pullin
 2011/0311166 A1 12/2011 Pascua
 2012/0106130 A1 5/2012 Beaudette
 2012/0137637 A1 6/2012 Gillis
 2012/0180184 A1 7/2012 Crye
 2012/0181211 A1 7/2012 Charlebois
 2012/0187138 A1 7/2012 Vasquez et al.
 2012/0294550 A1 11/2012 Hassman et al.
 2012/0311828 A1 12/2012 Nir
 2013/0014355 A1 1/2013 Lee
 2013/0043285 A1 2/2013 Cordray
 2013/0174600 A1 7/2013 Sarcinella
 2013/0216158 A1 8/2013 Meldeau et al.
 2013/0264350 A1 10/2013 Handlon et al.
 2013/0294712 A1 11/2013 Seuk
 2013/0341338 A1 12/2013 Mitchell et al.
 2014/0023295 A1 1/2014 Wagner
 2014/0034543 A1 2/2014 Grubstein
 2014/0226920 A1 8/2014 Passavia
 2014/0248003 A1 9/2014 Mogil et al.
 2014/0254956 A1 9/2014 Buell, III
 2015/0008242 A1 1/2015 Kpabar, Jr.
 2015/0136796 A1 5/2015 Muehlhauser
 2015/0175338 A1 6/2015 Culp et al.
 2015/0225164 A1 8/2015 Seiders et al.
 2015/0335202 A1 11/2015 Wisner et al.
 2015/0353263 A1 12/2015 Seiders et al.
 2016/0066817 A1 3/2016 Hannes
 2016/0101924 A1* 4/2016 Mitchell A45C 7/0077
 220/592.2
 2016/0107816 A1 4/2016 Larpenteur et al.
 2016/0257479 A1 9/2016 Seiders et al.
 2016/0338462 A1 11/2016 Hayashi

CA 2327764 A1 6/2002
 CA 2433251 A1 12/2004
 CA 2483802 A1 4/2006
 CA 2498796 A1 9/2006
 CA 2499291 A1 9/2006
 CA 2503473 A1 10/2006
 CA 2548064 A1 11/2007
 CA 2549327 A1 11/2007
 CA 2633223 A1 12/2009
 CA 2782668 A1 12/2013
 CN 2125339 U 12/1992
 CN 2188899 Y 2/1995
 CN 201062136 Y 5/2008
 CN 102717977 A 10/2012
 CN 202619972 U 12/2012
 CN 202959175 U 6/2013
 CN 103385657 A 11/2013
 CN 302623771 11/2013
 CN 302623775 11/2013
 CN 302769710 3/2014
 CN 302956550 10/2014
 CN 303100086 2/2015
 CN 303342902 8/2015
 DE 3539626 A1 5/1987
 DE 20002689 U1 8/2000
 DE 202011050174 U1 7/2011
 DE 202013101115 U1 3/2013
 EP 0037545 A2 10/1981
 EP 0082131 A2 6/1983
 EP 85534 A1 8/1983
 EP 0158634 A1 10/1985
 EP 0174159 A2 3/1986
 FR 1269009 A 8/1961
 FR 2440886 A1 6/1980
 GB 1600133 A 10/1981
 GB 2249717 A 5/1992
 GB 2335972 A 10/1999
 GB 3004135 9/2002
 GB 3006367 10/2002
 JP 11051532 2/1999
 JP 3275477 B2 4/2002
 JP D1160335 12/2002
 JP 2003026258 A 1/2003
 JP D1213384 8/2004
 JP D1242111 6/2005
 JP 2010023926 A 2/2010
 JP D1445624 7/2012
 KR 20020027739 A 4/2002
 KR 20040092730 A 11/2004
 KR 300778570.0000 1/2015
 KR 300808669.0000 8/2015
 KR 300835242.0000 1/2016
 KR 300853718.0000 5/2016
 WO 9524146 A2 9/1995
 WO 9812954 A1 4/1998
 WO 2006007266 A2 1/2006
 WO 2006058538 A1 6/2006
 WO 2007016092 A2 2/2007
 WO 2010106296 A2 9/2010
 WO 2010120199 A1 10/2010
 WO 2012003543 A1 1/2012
 WO 2014033450 A1 3/2014
 WO 2016066817 A1 5/2016

OTHER PUBLICATIONS

Stopper Dry Bag, <http://www.seatosummit.com/products/display/181>, published date unknown, but prior to the filing date of the present application, Sea To Summit, United States.
 Icemule Classic Cooler—Large (20L), <http://www.icemulecooler.com/icemule-classic-cooler-large-20l/>, published date unknown, but prior to the filing date of the present application, Icemule, United States.
 The-gadgeteer.com: Tom Bihn Camera I-O Bag Review. Published by Janet Cloninger on Jul. 9, 2012. Retrieved from the Internet at <http://the-gadgeteer.com/2012/07/09/tom-bihn-camera-i-o-bag-review/>, Jan. 8, 2016. 23 pages.

(56)

References Cited

OTHER PUBLICATIONS

Devonbuy.com: Thule Gauntlet 13" MacBook Pro Attaché. Published on Jul. 28, 2014. Retrieved from the internet at <<http://www.devonbuy.com/thule-gauntlet-13-macbook-pro-attachei>>, Feb. 24, 2016. 9 pages.

United States District Court for the Western District of Texas, Austin Division, "Defendants' Answer and Counterclaims to YETI's Complaint," *YETI Coolers, LLC, vs. RTIC Soft Sided Coolers, LLC, RTIC Coolers, LLC, RTIC Web Services, LLC, and Corporate Support and Fulfillment, LLC*, Case 1:16-cv-00909-RP, Document 11, Filed Aug. 18, 2016, 44 pages.

United States District Court Western District of Texas, Austin Division, "Complaint," *YETI Coolers, LLC, v. RTIC Soft Side Coolers, RTIC Coolers, LLC, RTIC Web Services, LLC, and Corporate Support and Fulfillment, LLC*, Case 1:16-cv-00909, Document 1, Filed Jul. 27, 2016, 66 pages.

United States District Court Western District of Texas, Austin Division, "Complaint for Damages and Injunctive Relief," *YETI Coolers, LLC v. Jennifer Leverage Bootz Evans d/b/a Bling and Burlap Buy In's and Blanks*, Case 1:15-cv-00995, Document 1, Filed Nov. 2, 2015, 128 pages.

United States District Court Western District of Texas, Austin Division, "Order," *YETI Coolers, LLC v. Jennifer Leverage Bootz Evans d/b/a Bling and Burlap Buy In's and Blanks*, Case 1:15-cv-00995-RP, Document 18, Filed Apr. 18, 2016, 1 page.

United States District Court Western District of Texas, Austin Division, "Defendant's Reply in Support of Their Rule 12 (B)(6) Motion to Dismiss for Failure to State a Claim" *YETI Coolers, LLC v. RTIC Soft Sided Coolers, LLC, RTIC Coolers, LLC, RTIC Web Services, LLC, and Corporate Support and Fulfillment, LLC*, Case 1:16-cv-00909-RP, Document 15, Filed Sep. 8, 2016, 13 pages.

United States District Court Western District of Texas, Austin Division, "YETI's Answer to RTIC's Counterclaims," *YETI Coolers, LLC v. RTIC Soft Sided Coolers, LLC, RTIC Coolers, LLC, RTIC Web Services, LLC, and Corporate Support and Fulfillment, LLC*, Case 1:16-cv-00909-RP, Document 14, Filed Sep. 2, 2016, 16 pages.

United States District Court Western District of Texas, Austin Division, "YETI's Opposition to RTIC's Motion to Dismiss," *YETI*

Coolers, LLC v. RTIC Soft Sided Coolers, LLC, RTIC Coolers, LLC, RTIC Web Services, LLC, and Corporate Support and Fulfillment, LLC, Case 1:16-cv-00909-RP, Document 13, Filed Sep. 1, 2016, 17 pages.

United States District Court for the Western District of Texas, Austin Division, "Defendants' Rule 12(B)(6) Motion to Dismiss for Failure to State a Claim," *YETI Coolers, LLC, vs. RTIC Soft Sided Coolers, LLC, RTIC Coolers, LLC, RTIC Web Services, LLC, and Corporate Support and Fulfillment, LLC*, Case 1:16-cv-00909-RP, Document 10, Filed Aug. 18, 2016, 12 pages.

United States District Court for the Western District of Texas, Austin Division, "Joint Rule 26(f) Report and Discovery Plan," *YETI Coolers, LLC, vs. RTIC Soft Sided Coolers, LLC, RTIC Coolers, LLC, RTIC Web Services, LLC, and Corporate Support and Fulfillment, LLC*, Case 1:16-cv-00909-RP, Document 19, Filed Oct. 11, 2016, 9 pages.

Petition for Inter Partes Review of U.S. Pat. No. 9,139,352, filed on Dec. 13, 2016, 1616 pages.

YouTube.com: Patagonia Black Hole Duffel 60L. Published Aug. 26, 2013. Retrieved from the internet at <<https://www.youtube.com/watch?v=W-PWEmZmVv8>>, Dec. 19, 2016. 1 page.

TheGadgeteer.com: Tom Bihn Camera I-O Bag Review. Published Jul. 9, 2012. Retrieved from the internet at <<http://the-gadgeteer.com/2012/07/09/tom-bihn-camera-i-o-bag-review/>>, Jan. 11, 2016. 7 pages.

Youtube, "YETI Hopper Cooler at ICAST 2014", Uploaded by user "TackleDirect" on Jul. 17, 2014, Accessed Jan. 31, 2017. (<https://www.youtube.com/watch?v=A2rKRdyZcZ4>).

Ebags, Picnic Pack Picnic Pack Large Insulated Cooler Tote, First reviewed on Jul. 20, 2016. Accessed Feb. 7, 2017. (<http://www.ebags.com/product/picnic-pack/picnic-pack-large-insulated-cooler-tote/313704?productid=10428840>).

United States Patent and Trademark Office Before the Patent Trial and Appeal Board, Decisions Joint Motions to Terminate Inter Partes Review, Entered Mar. 22, 2017—(4 pgs).

* cited by examiner

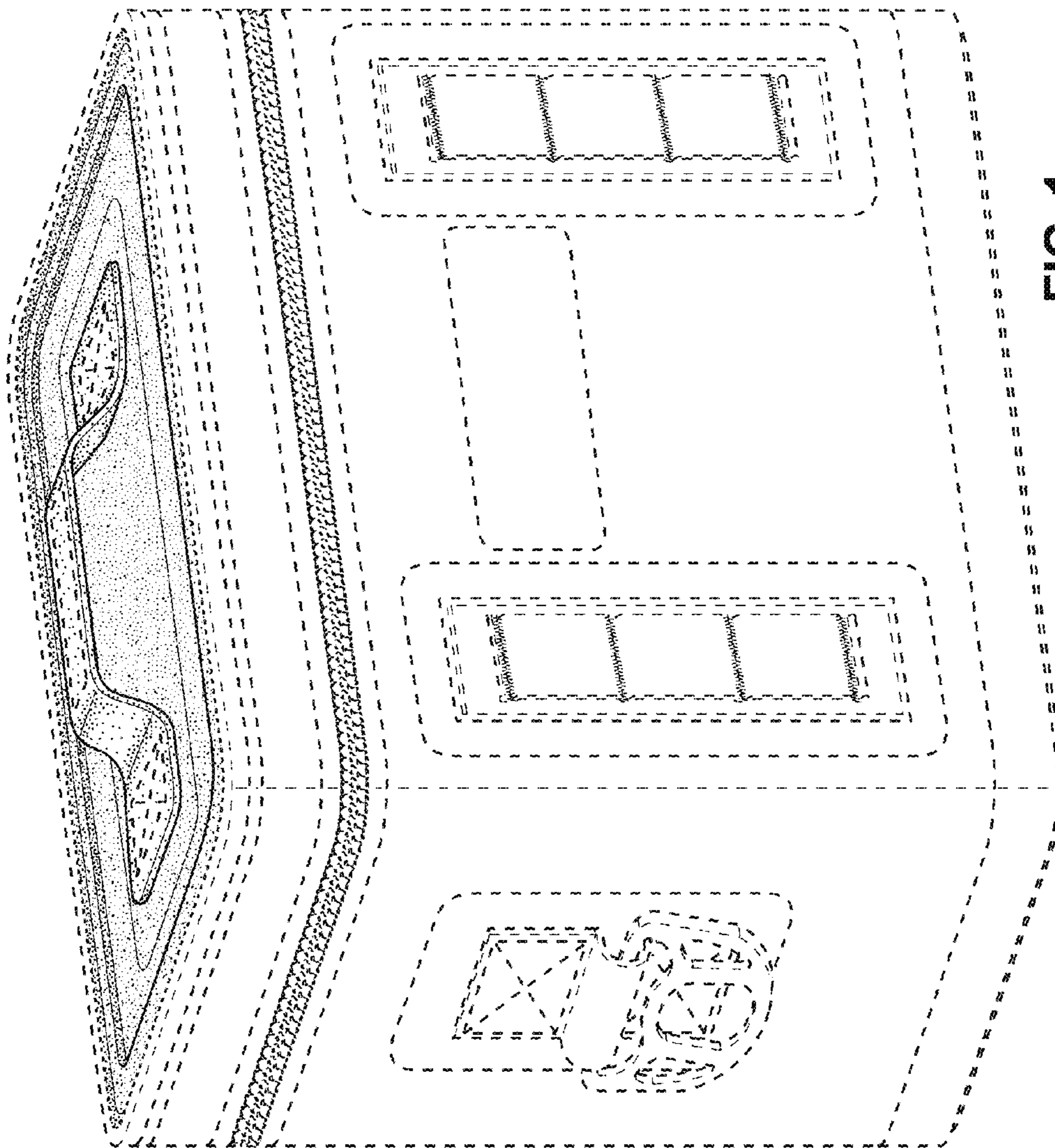


FIG. 1

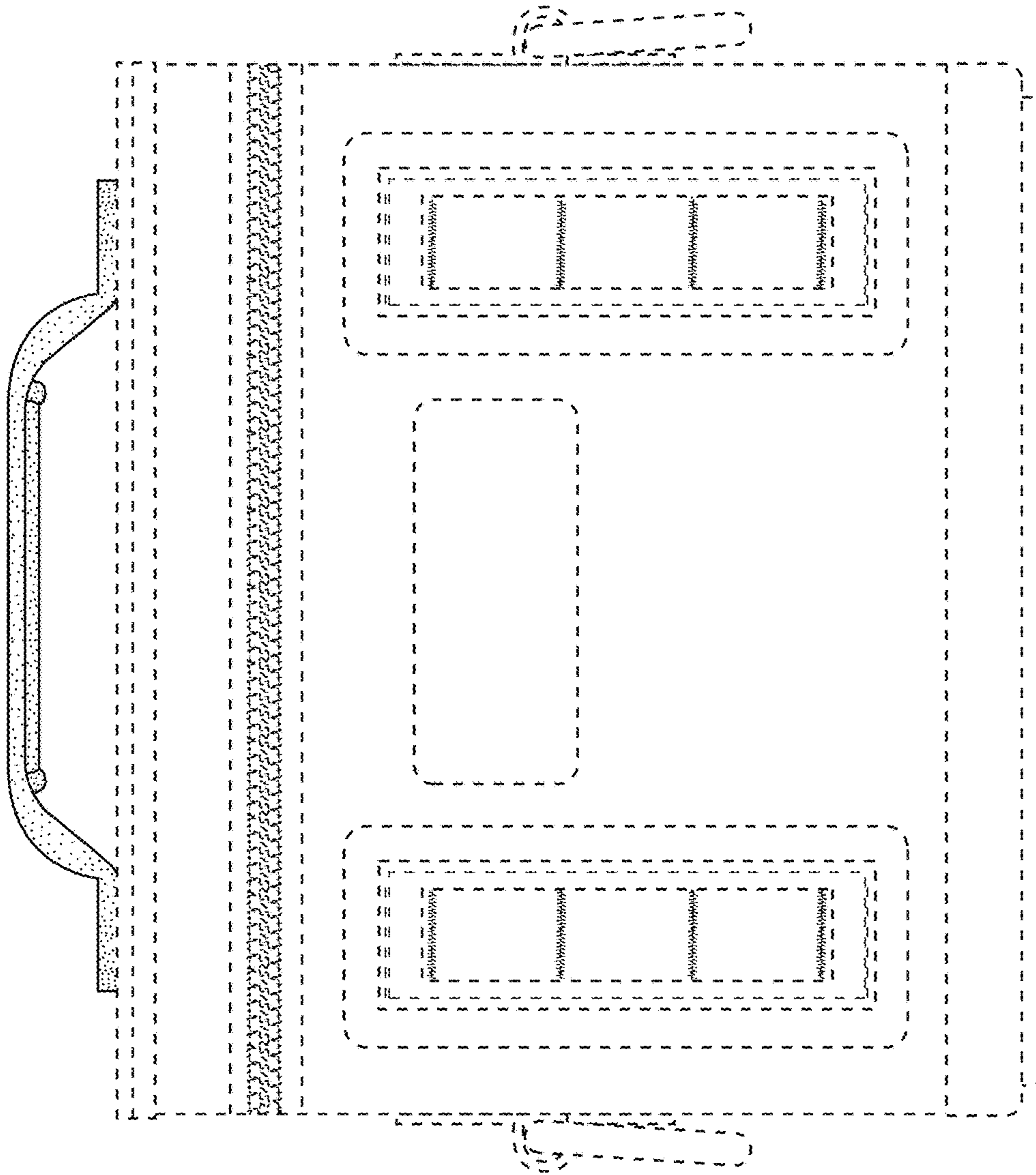


FIG. 2

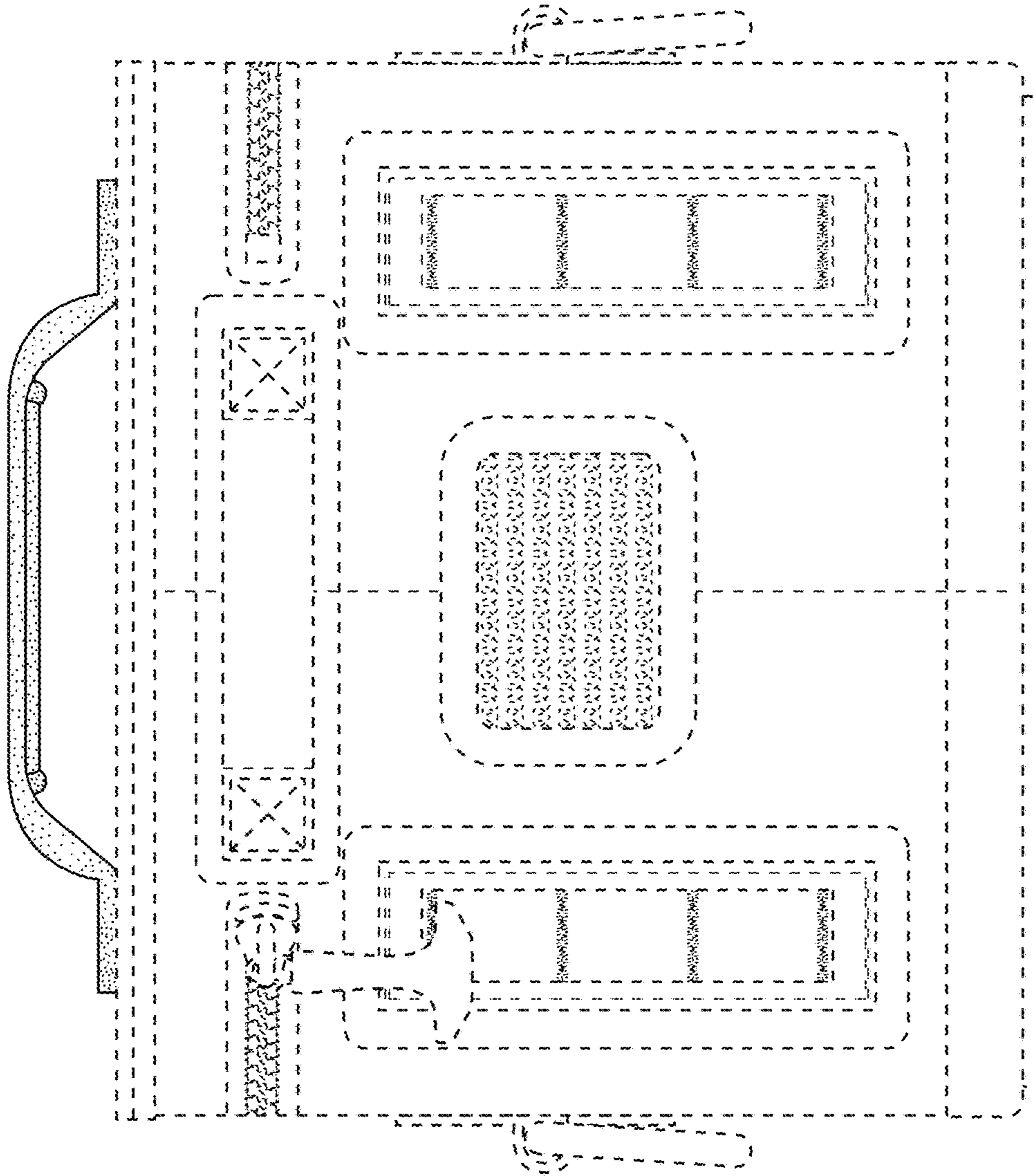


FIG. 3

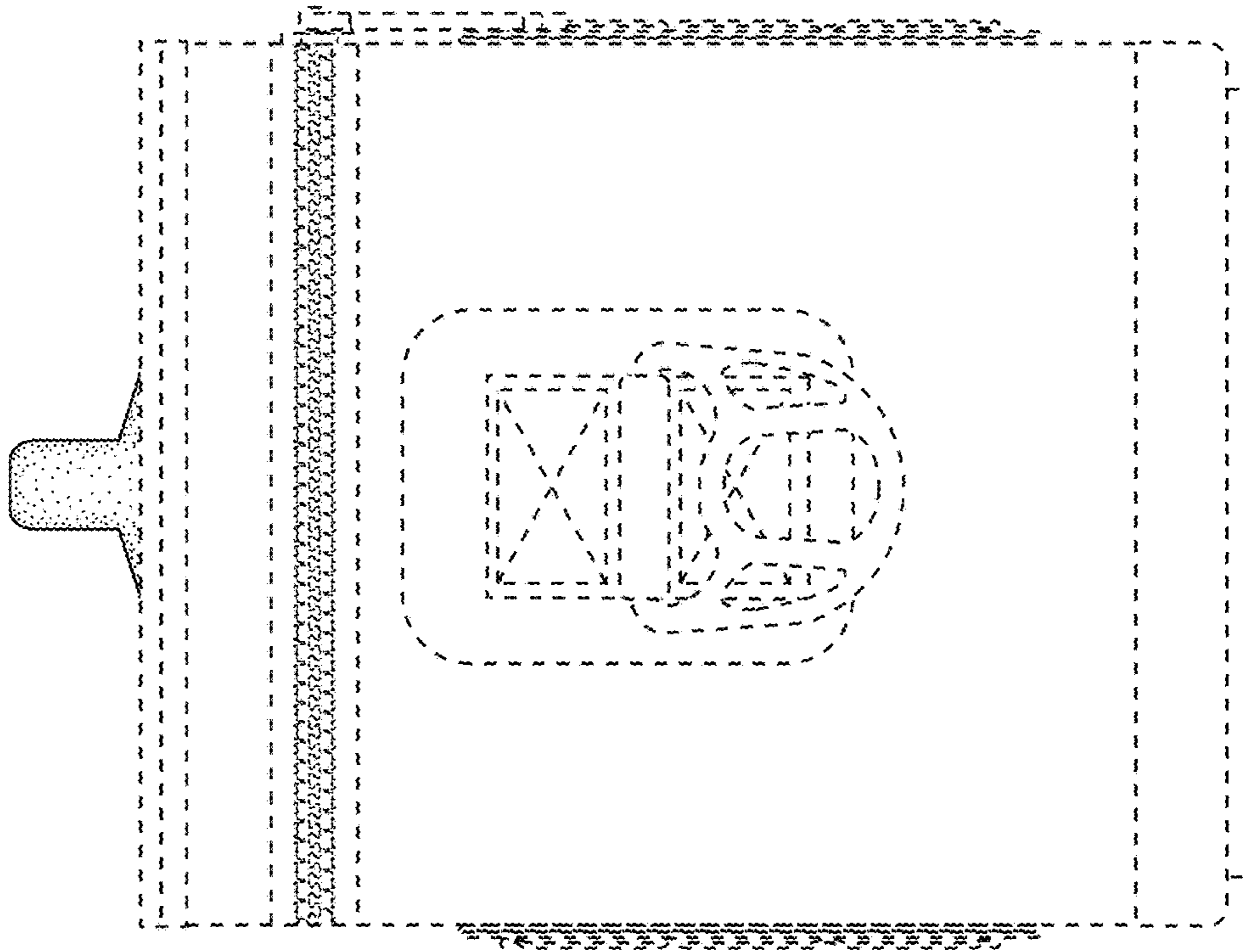


FIG. 4

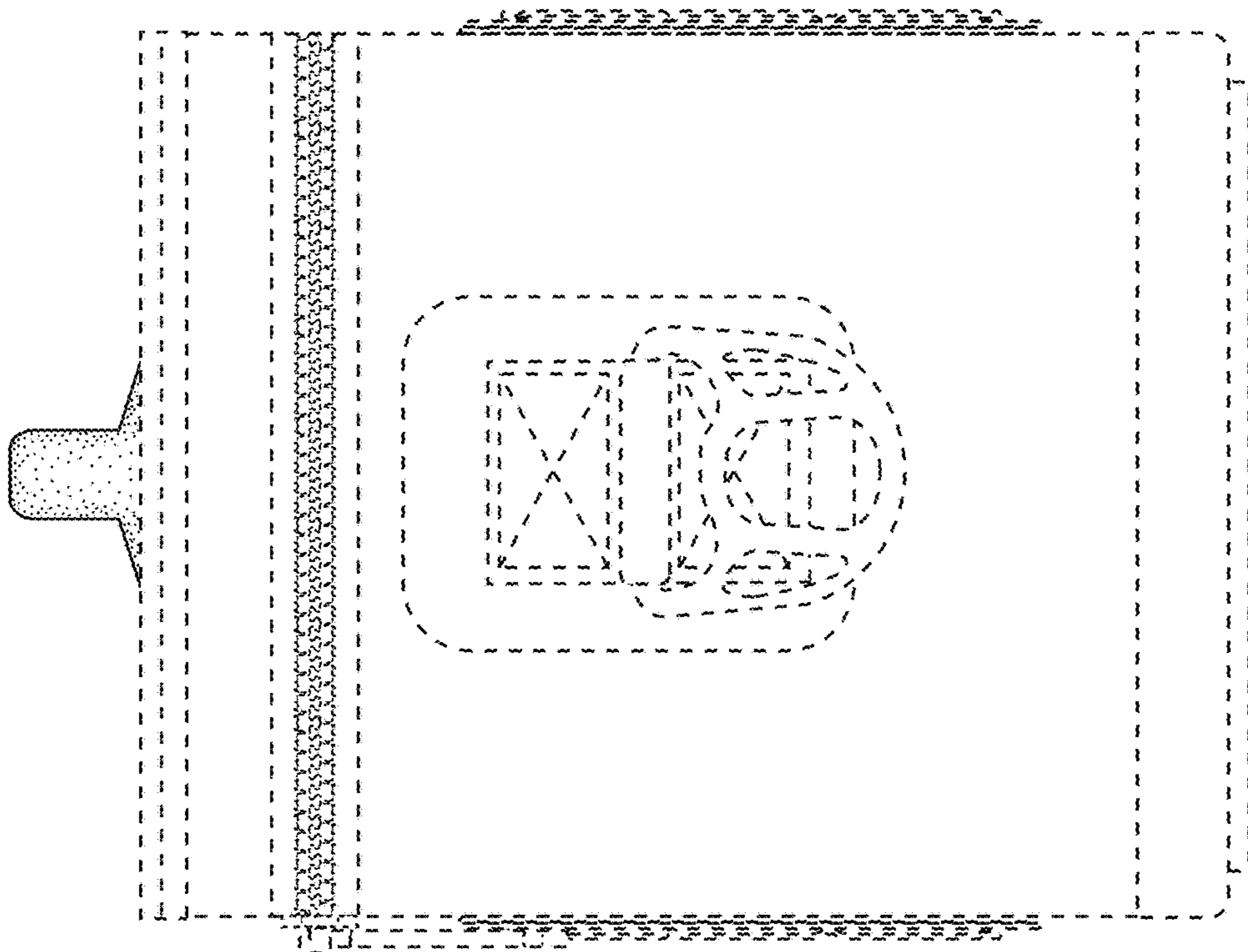


FIG. 5

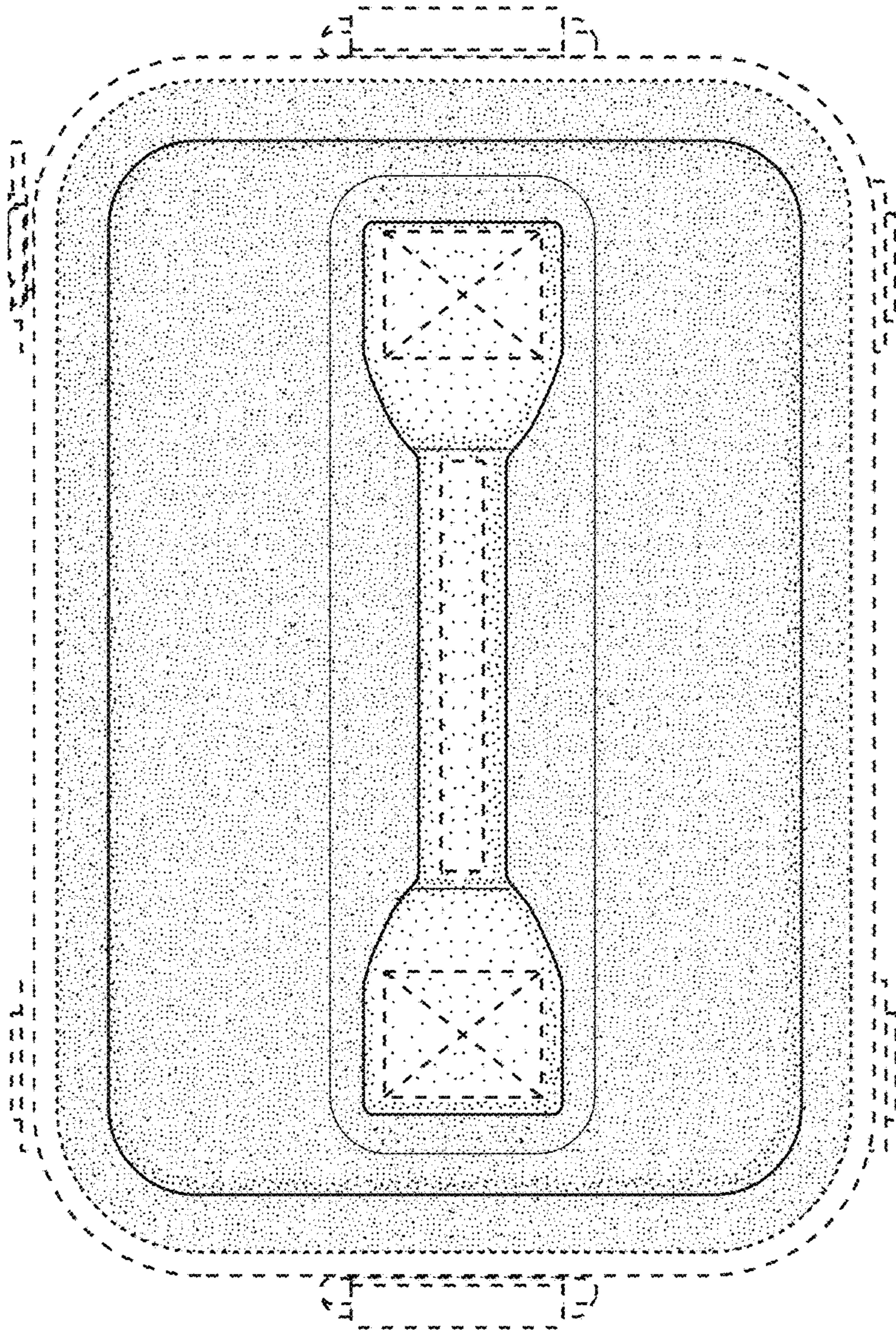


FIG. 6

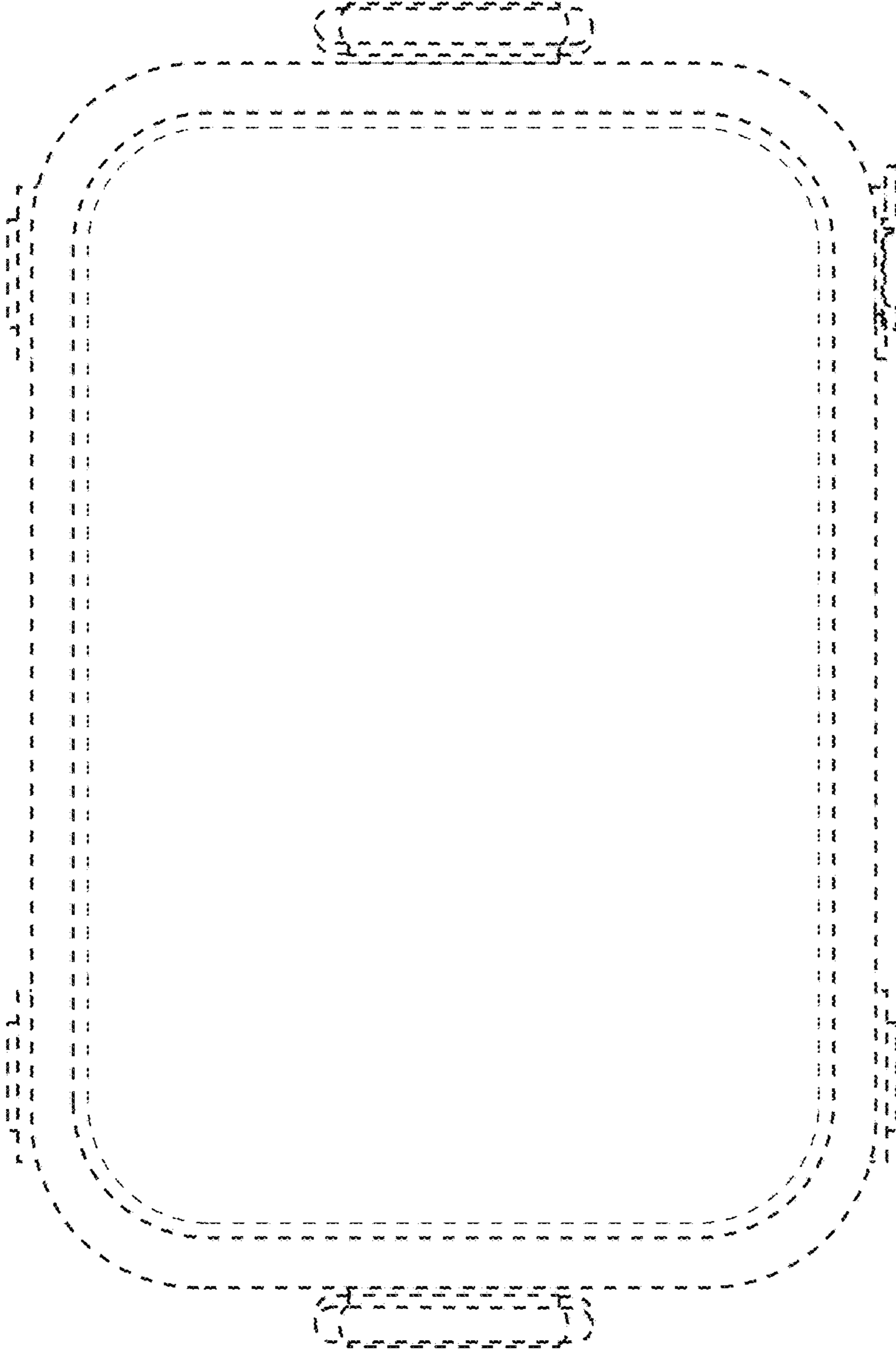


FIG. 7