



US00D815495S

(12) **United States Design Patent**  
**Barea et al.**

(10) **Patent No.:** **US D815,495 S**  
(45) **Date of Patent:** **\*\* Apr. 17, 2018**

(54) **BASE FOR A MICROWAVEABLE CONTAINER**

25/18; A47J 47/01; A47J 42/14; A47J 42/34; A47J 42/50; A47J 47/02; A47J 47/08; A47J 47/10

(71) Applicant: **Dart Industries Inc.**, Orlando, FL (US)

See application file for complete search history.

(72) Inventors: **Hector J. Barea**, Orlando, FL (US);  
**Mark T. Terrill, Jr.**, Orlando, FL (US);  
**JianJun Luo**, Guangzhou (CN)

(56) **References Cited**

U.S. PATENT DOCUMENTS

D744,776 S 12/2015 Seyers et al.

*Primary Examiner* — Shannon W Morgan

(73) Assignee: **Dart Industries Inc.**, Orlando, FL (US)

(74) *Attorney, Agent, or Firm* — Taylor J. Ross

(\*\*) Term: **15 Years**

(57) **CLAIM**

The ornamental design for a base for a microwaveable container, as shown and described.

(21) Appl. No.: **29/572,669**

(22) Filed: **Jul. 29, 2016**

**DESCRIPTION**

(51) **LOC (11) Cl.** ..... **07-07**

(52) **U.S. Cl.**  
USPC ..... **D7/602**

(58) **Field of Classification Search**

USPC ..... D7/629, 630, 601, 602, 538-542, 612,  
D7/608, 300, 312, 316, 323, 353, 900,  
D7/387, 368, 388, 397, 402, 403, 412,  
D7/500, 550.1, 552.1, 552.2, 553.1,  
D7/553.2, 553.3, 554.4, 555;  
D9/424-433, 445, 500, 501, 503, 504,  
D9/516, 549, 575, 415-419, 737, 761,  
D9/760, 759, 756, 479, 478, 420, 421  
CPC ..... B65D 85/50; B65D 85/505; B65D 85/52;  
B65D 43/02; B65D 1/26; B65D 43/0206;  
B65D 43/0214; B65D 81/18; B65D  
53/00; B65D 43/163; B65D 21/0219;  
B65D 25/04; B65D 21/0233; B65D

FIG. 1 is a top, front and right side perspective view of a base for a microwaveable container showing our new design;

FIG. 2 is a bottom, front and right side perspective view thereof;

FIG. 3 is a right side elevation view, the left side elevation being identical thereto;

FIG. 4 is a front elevation view, the rear elevation being identical thereto;

FIG. 5 is a top plan view thereof;

FIG. 6 is a bottom plan view thereof; and,

FIG. 7 is a cross-sectional view taken along line 7-7 of FIG. 5.

**1 Claim, 4 Drawing Sheets**

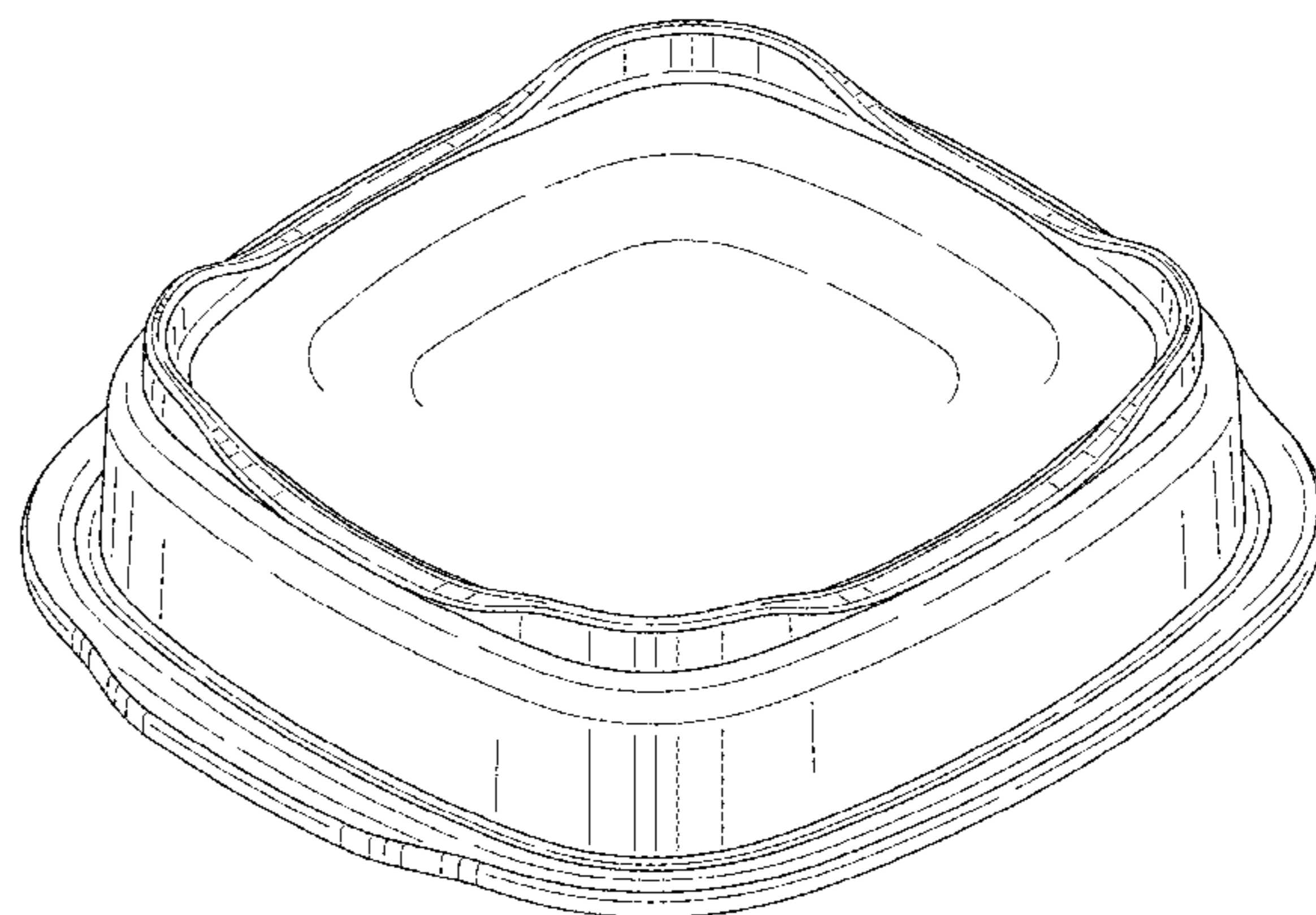
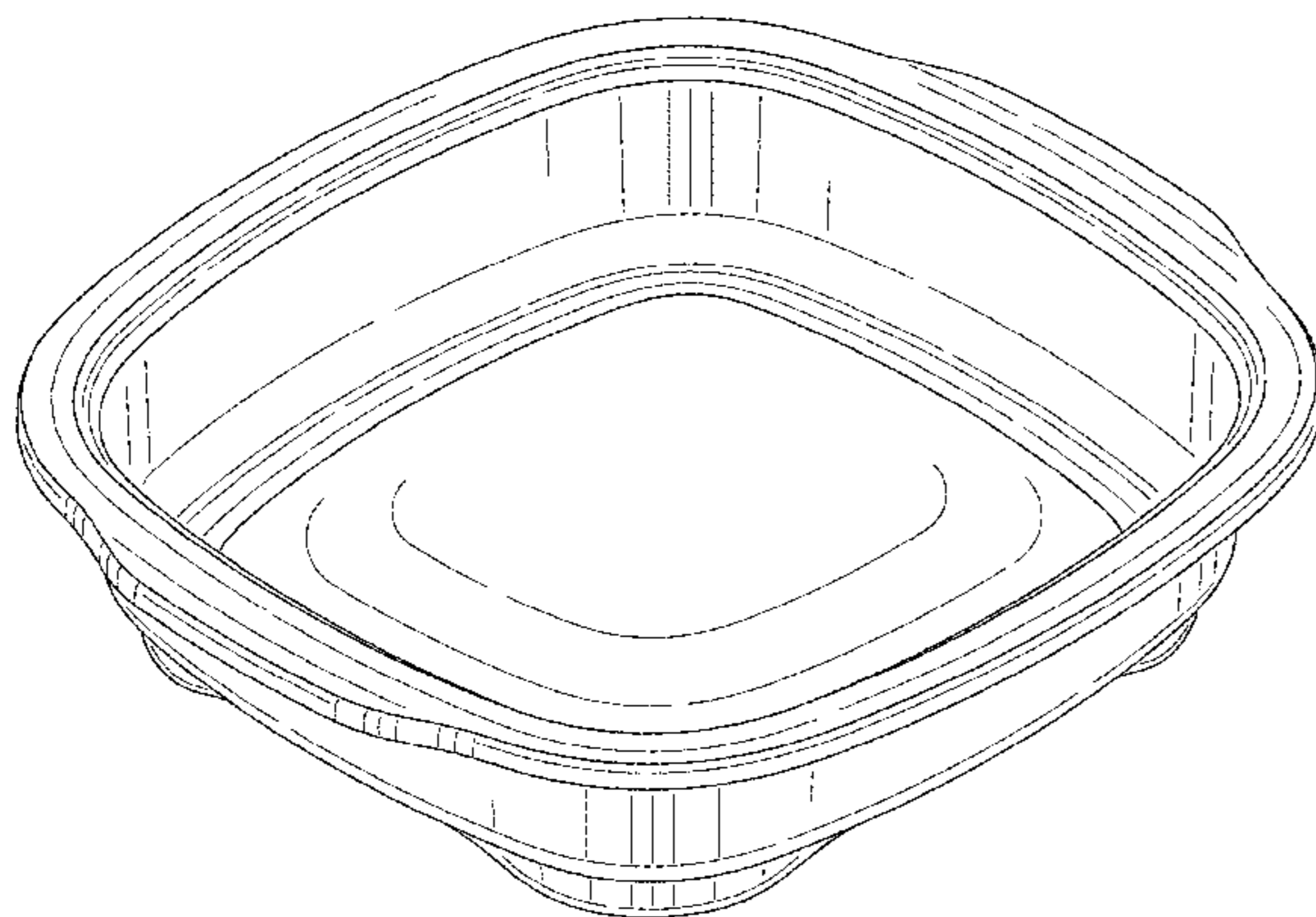


FIG. 1

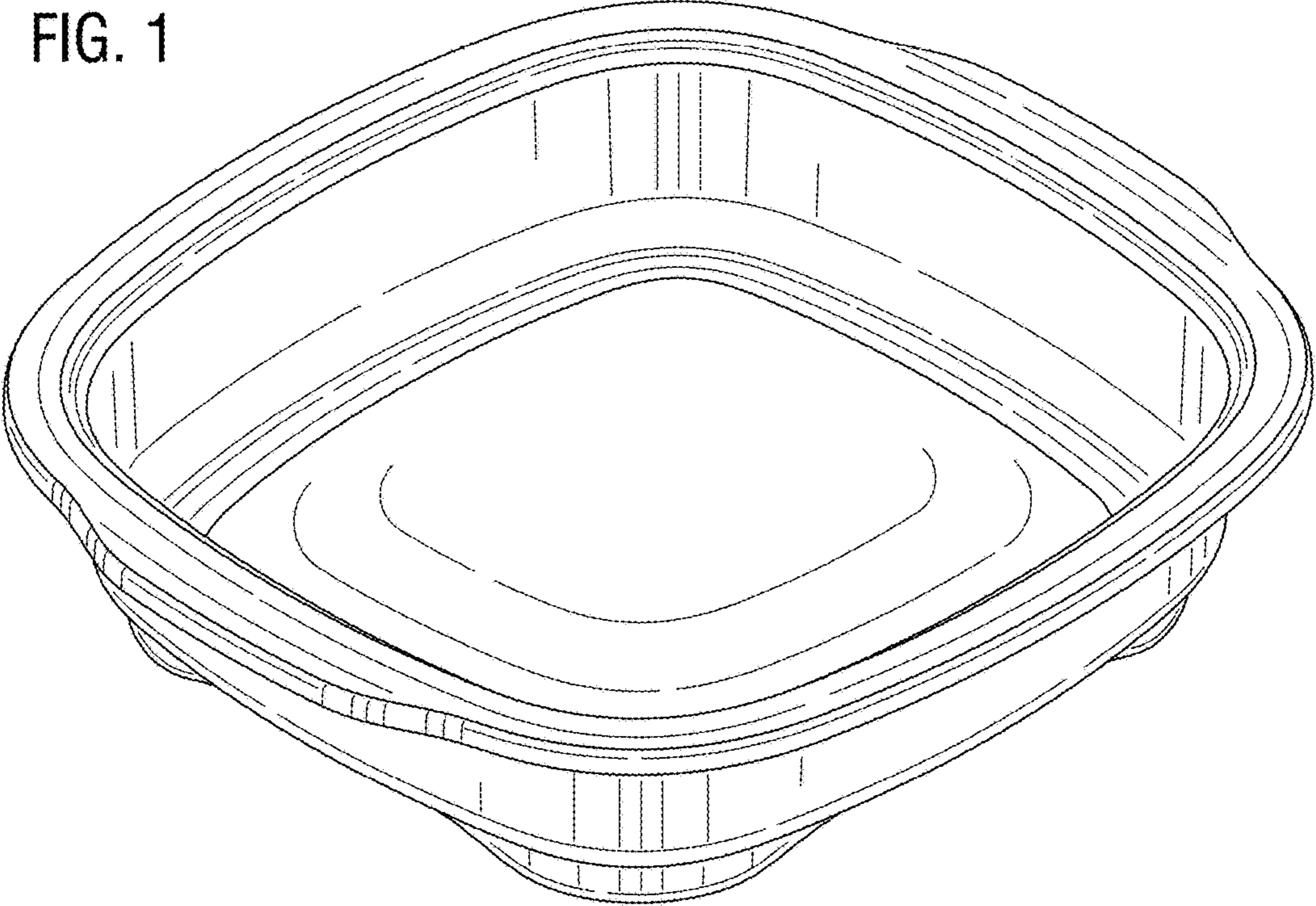


FIG. 2

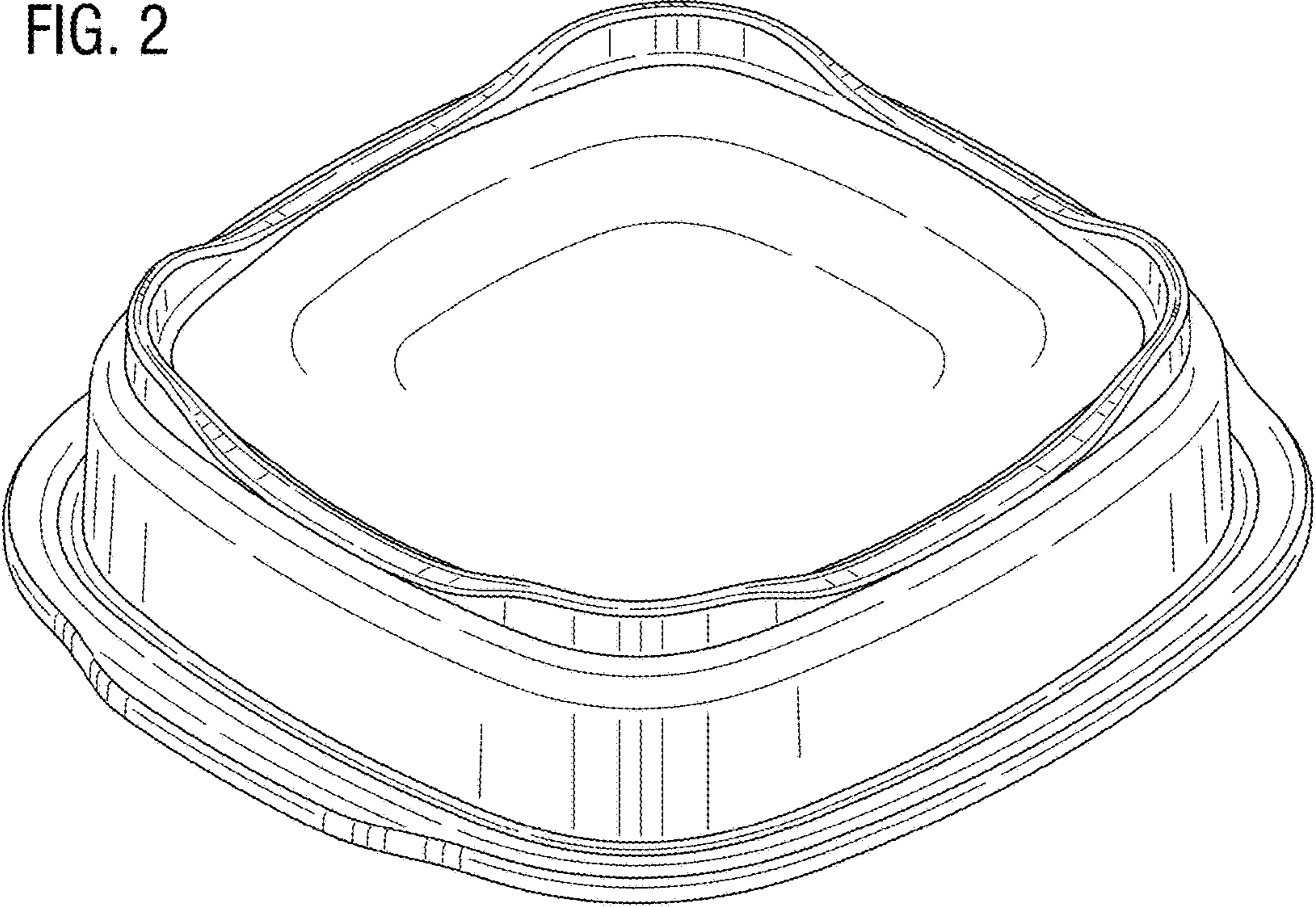




FIG. 3

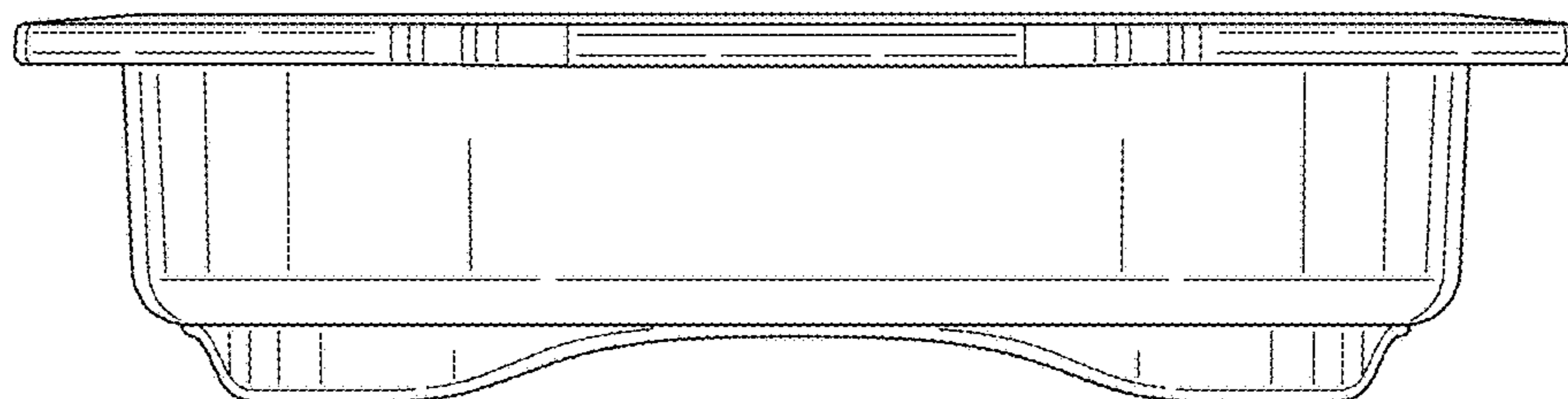


FIG. 5

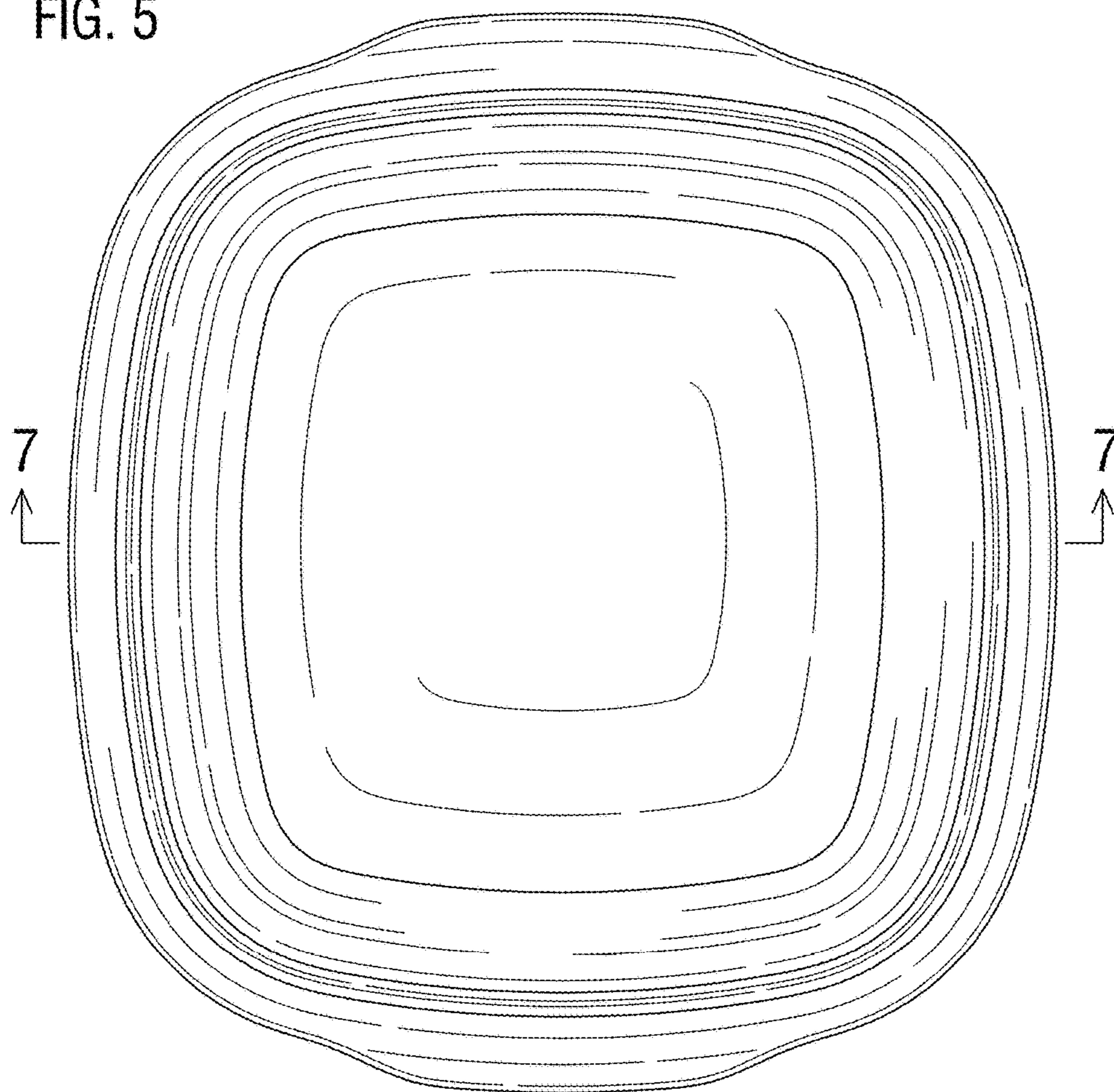


FIG. 4

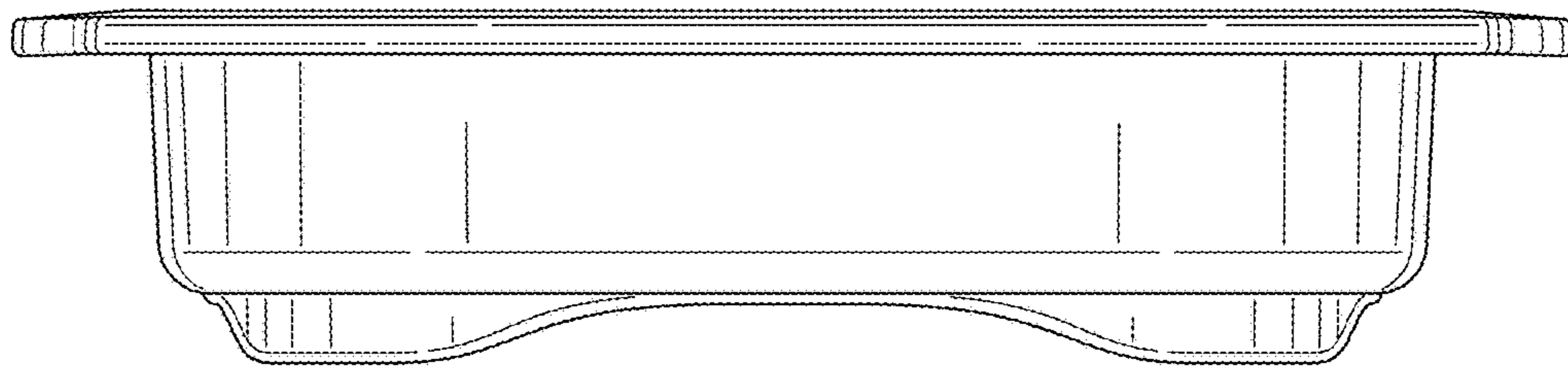


FIG. 6

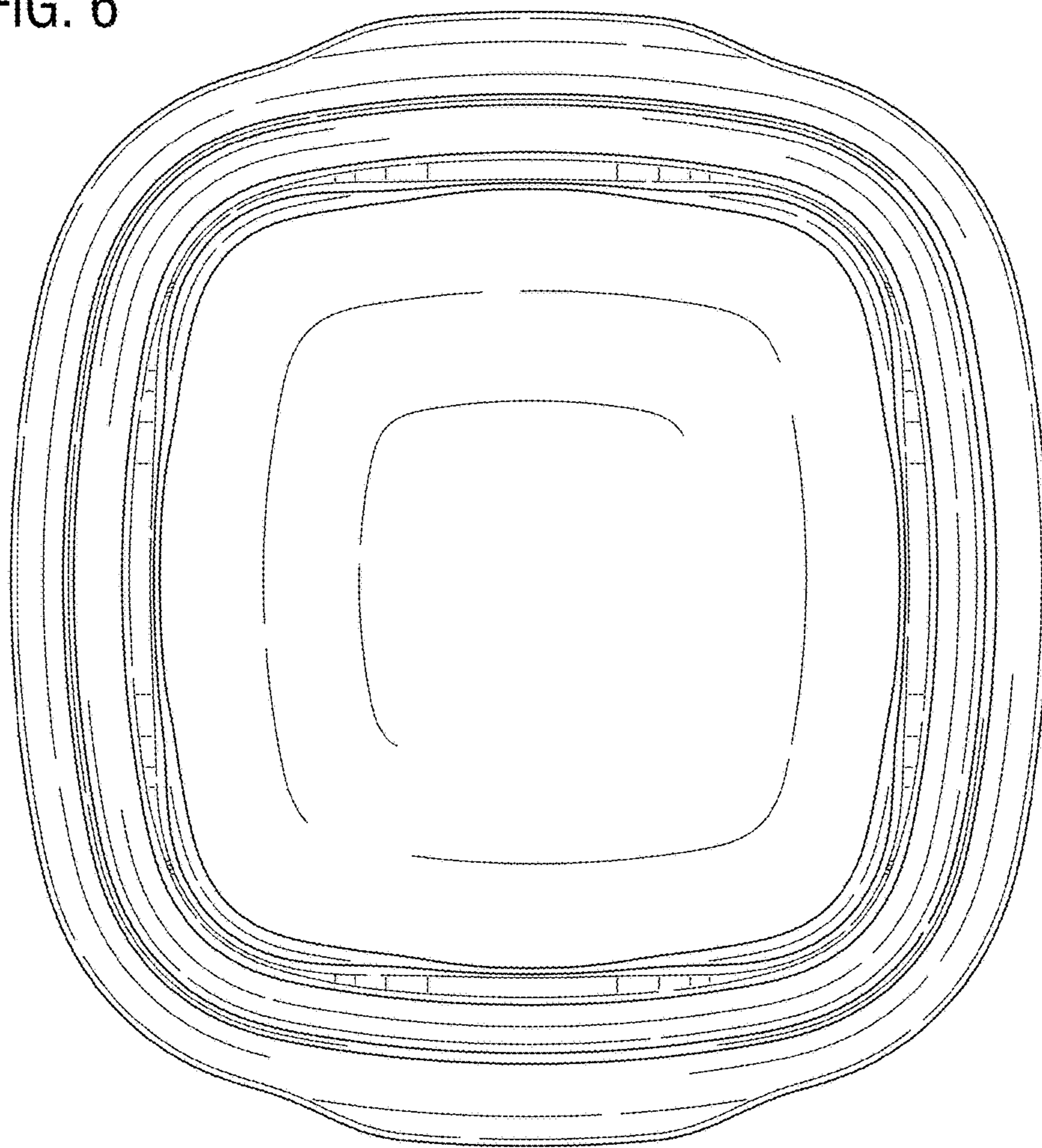


FIG. 7

