



US00D815494S

(12) **United States Design Patent**
Lipper McCauley

(10) **Patent No.:** **US D815,494 S**

(45) **Date of Patent:** **** Apr. 17, 2018**

(54) **ROLLABLE COUNTERTOP DRAWER**

(71) Applicant: **Lipper International, Inc.**,
Wallingford, CT (US)

(72) Inventor: **Amy Lipper McCauley**, Wallingford,
CT (US)

(73) Assignee: **LIPPER INTERNATIONAL, INC.**,
Wallingford, CT (US)

(**) Term: **15 Years**

(21) Appl. No.: **29/550,717**

(22) Filed: **Jan. 6, 2016**

(51) **LOC (11) Cl.** **07-99**

(52) **U.S. Cl.**
USPC **D7/600.1**

(58) **Field of Classification Search**
USPC ... D7/600, 600.1-600.4, 392, 397, 589, 590,
D7/596, 597, 601, 602, 609, 610, 612,
D7/614, 615, 620-623, 628-632,
D7/637-641, 701-708, 708.1, 709, 710;
D3/304-315, 317, 319, 302, 316;
D6/559, 560, 566, 567, 570, 571, 573,
D6/574, 512, 705, 705.1, 705.2, 705.3,
D6/705.4, 705.5, 705.6, 705.7, 706, 707,
D6/707.1, 707.19, 707.15, 627, 628, 629,
D6/631, 654, 654.11, 654.12, 654.13,
D6/654.14, 654.15, 654.18, 654.19, 654.2,
D6/654.22, 654.21, 655, 655.11, 655.12,
D6/655.13, 655.14, 655.15, 655.17,
D6/655.18, 655.19, 655.2, 655.22, 655.23,
D6/691.9, 692.4, 692.5, 693.1, 693.2,
D6/677, 677.1, 677.2, 677.5, 678.4,
D6/708.2, 668.1; D19/75, 77, 78, 83, 86,
D19/92; 206/511, 557, 560, 510, 513,
206/503, 566, 563, 564; 211/1, 10, 13.1,
211/69.1, 69.5, 70, 70.1, 70.6, 74, 77, 78,
211/85.1, 85.2, 85.4, 85.5, 85.31, 126.9,

(Continued)

(56) **References Cited**

U.S. PATENT DOCUMENTS

D628,444 S * 12/2010 Snider D7/600.1
D628,445 S * 12/2010 Snider D7/600.1

(Continued)

Primary Examiner — Shannon W Morgan

(74) *Attorney, Agent, or Firm* — Lucas & Mercanti, LLP

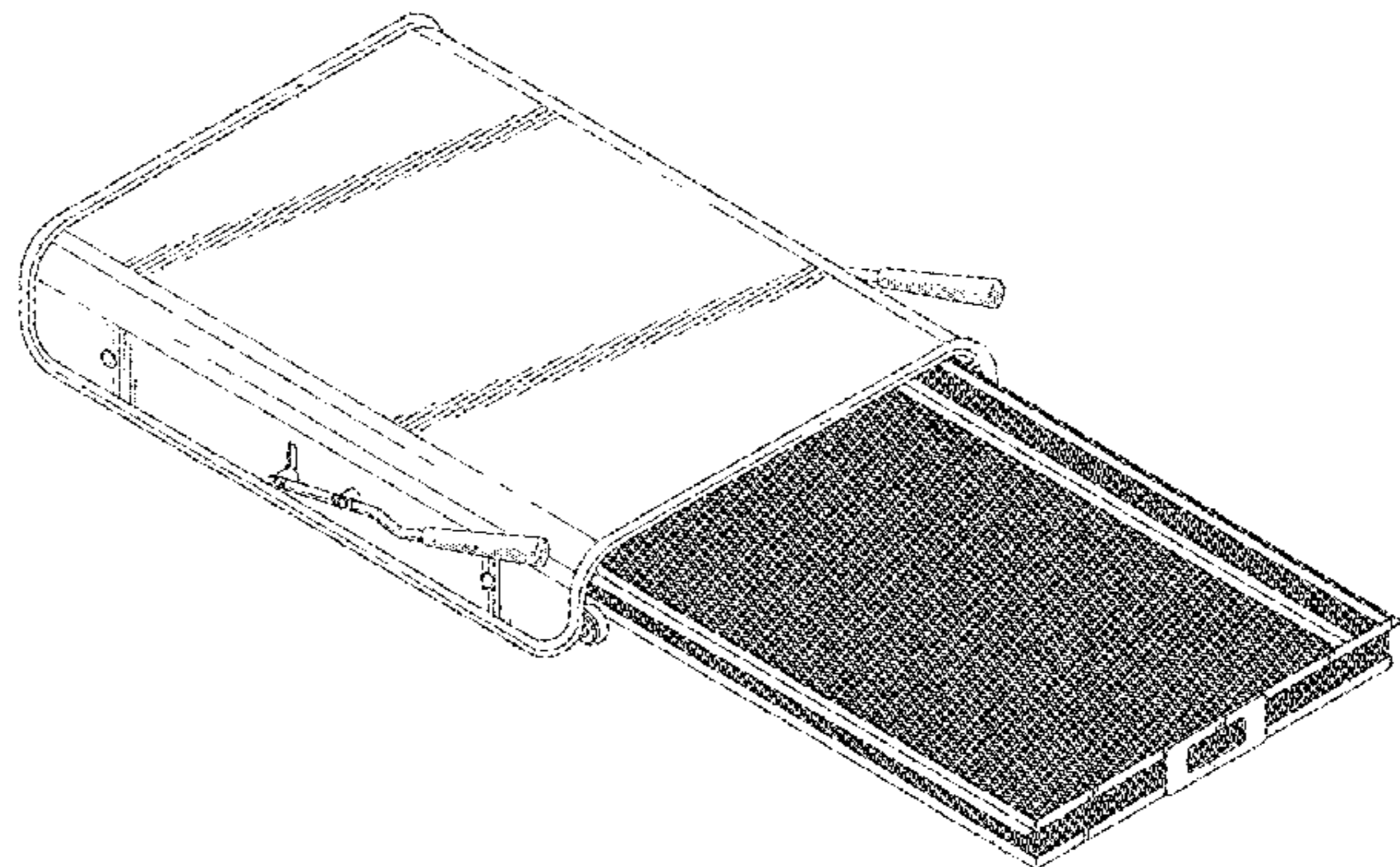
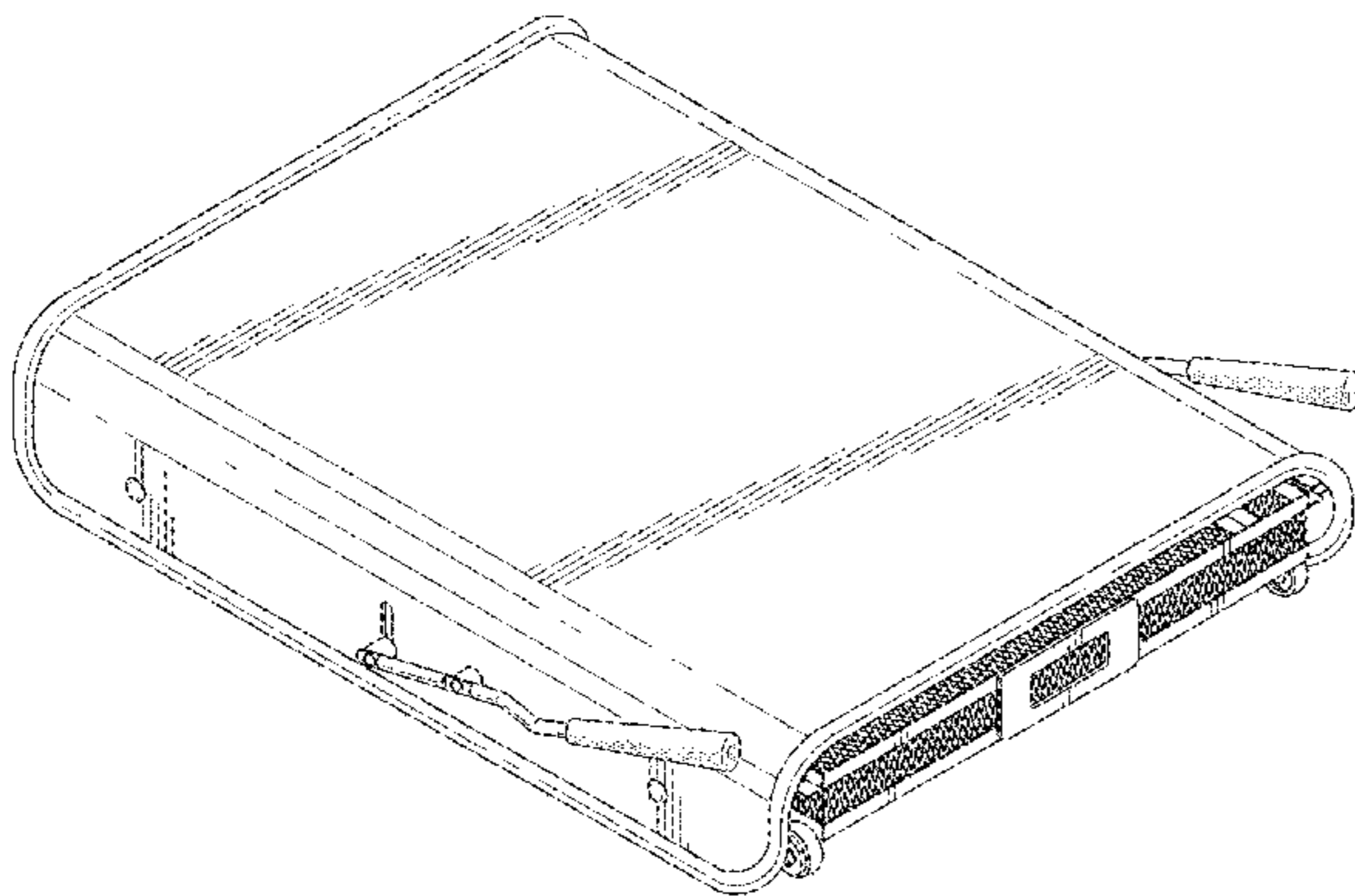
(57) **CLAIM**

The ornamental design for a rollable countertop drawer, as shown and described.

DESCRIPTION

FIG. 1 is a top perspective view of a rollable countertop drawer;
FIG. 2 is a top plan view thereof;
FIG. 3 is a front elevational view thereof;
FIG. 4 is a rear elevational view thereof;
FIG. 5 is a right side elevational view thereof;
FIG. 6 is a left side elevational view thereof;
FIG. 7 is a bottom plan view thereof;
FIG. 8 is a top perspective view of the rollable countertop drawer shown in FIG. 1 shown in an open position thereof;
FIG. 9 is a top perspective view of the rollable countertop drawer shown in FIG. 1 shown in an alternate position thereof;
FIG. 10 is a top plan view thereof;
FIG. 11 is a front elevational view thereof;
FIG. 12 is a rear elevational view thereof;
FIG. 13 is a right side elevational view thereof;
FIG. 14 is a left side elevational view thereof; and,
FIG. 15 is a bottom plan view thereof.
The broken lines shown in the figures depict portions of the rollable countertop drawer that form no part of the claimed design.

1 Claim, 11 Drawing Sheets



(58) **Field of Classification Search**

USPC 211/126.11, 126.15, 129.1, 131.1, 133.2,
 211/133.4, 134, 133.5, 133.6, 181.1, 182;
 312/323, 330.1, 334.1, 334.27, 408, 410,
 312/334.44, 325, 326, 327, 332.1, 333;
 220/485, 493, 491
 CPC A45D 33/22; B65D 2203/00; B65D 7/20;
 B65D 83/00; B65D 21/00; B65D 85/305;
 B65D 85/30; A47G 7/02; A47B 88/00;
 A47B 88/0003; A47B 88/0007; A47B
 88/0014; A47B 88/20; A47B 88/202;
 A47B 88/04; A47B 88/0466; A47B
 88/0418; A47B 81/007; A47B 2088/0444;
 A47J 31/3642; A47J 47/16; A47J 47/00;
 A47J 31/44; A47J 31/36
 See application file for complete search history.

(56) **References Cited**

U.S. PATENT DOCUMENTS

D644,491 S * 9/2011 Snider D7/600.1
 D659,481 S * 5/2012 Tiemann D7/600.1
 D660,088 S * 5/2012 Tiemann D7/600.1
 D661,951 S * 6/2012 Tiemann D7/600.1
 D665,230 S * 8/2012 Snider D7/600.1
 D674,213 S * 1/2013 Hertaus D6/663
 D675,849 S * 2/2013 Tawil D6/705.6
 D676,265 S * 2/2013 Tawil D6/705.6
 D676,715 S * 2/2013 Tsai D7/600.1

D679,954 S * 4/2013 Snider D7/600.1
 D680,380 S * 4/2013 Tiemann D7/600.1
 D682,039 S * 5/2013 Tiemann D7/600.4
 D684,404 S * 6/2013 Hertaus D6/705
 D686,464 S * 7/2013 Tiemann D7/600.1
 D701,431 S * 3/2014 Tsai D7/600.1
 D701,733 S * 4/2014 Tiemann D7/600.1
 D703,002 S * 4/2014 Tiemann D7/600.1
 D703,003 S * 4/2014 Tiemann D7/600.1
 D703,005 S * 4/2014 Tiemann D7/600.1
 D708,906 S * 7/2014 Tiemann D7/600.1
 D708,907 S * 7/2014 Tiemann D7/600.1
 D708,908 S * 7/2014 Tiemann D7/600.1
 D708,909 S * 7/2014 Tiemann D7/600.1
 D713,691 S * 9/2014 Sabounjian D7/600.1
 D713,692 S * 9/2014 Tsai D7/600.1
 D718,578 S * 12/2014 Sabounjian D7/600.1
 D722,831 S * 2/2015 Tuang D7/600.1
 D734,101 S * 7/2015 Greenspon D7/600.1
 D743,748 S * 11/2015 Tiemann D7/600.1
 D750,442 S * 3/2016 Tiemann D7/600.1
 D755,574 S * 5/2016 Lee D7/600.1
 D764,236 S * 8/2016 Hertaus D7/600.1
 D778,647 S * 2/2017 Snider D6/705.6
 D782,868 S * 4/2017 Lien D14/125
 2014/0091695 A1 * 4/2014 Sabounjian A47J 31/3642
 312/348.3
 2014/0097120 A1 * 4/2014 Sabounjian A47J 31/44
 206/565
 2014/0217876 A1 * 8/2014 Tsai A47B 88/16
 312/334.44

* cited by examiner

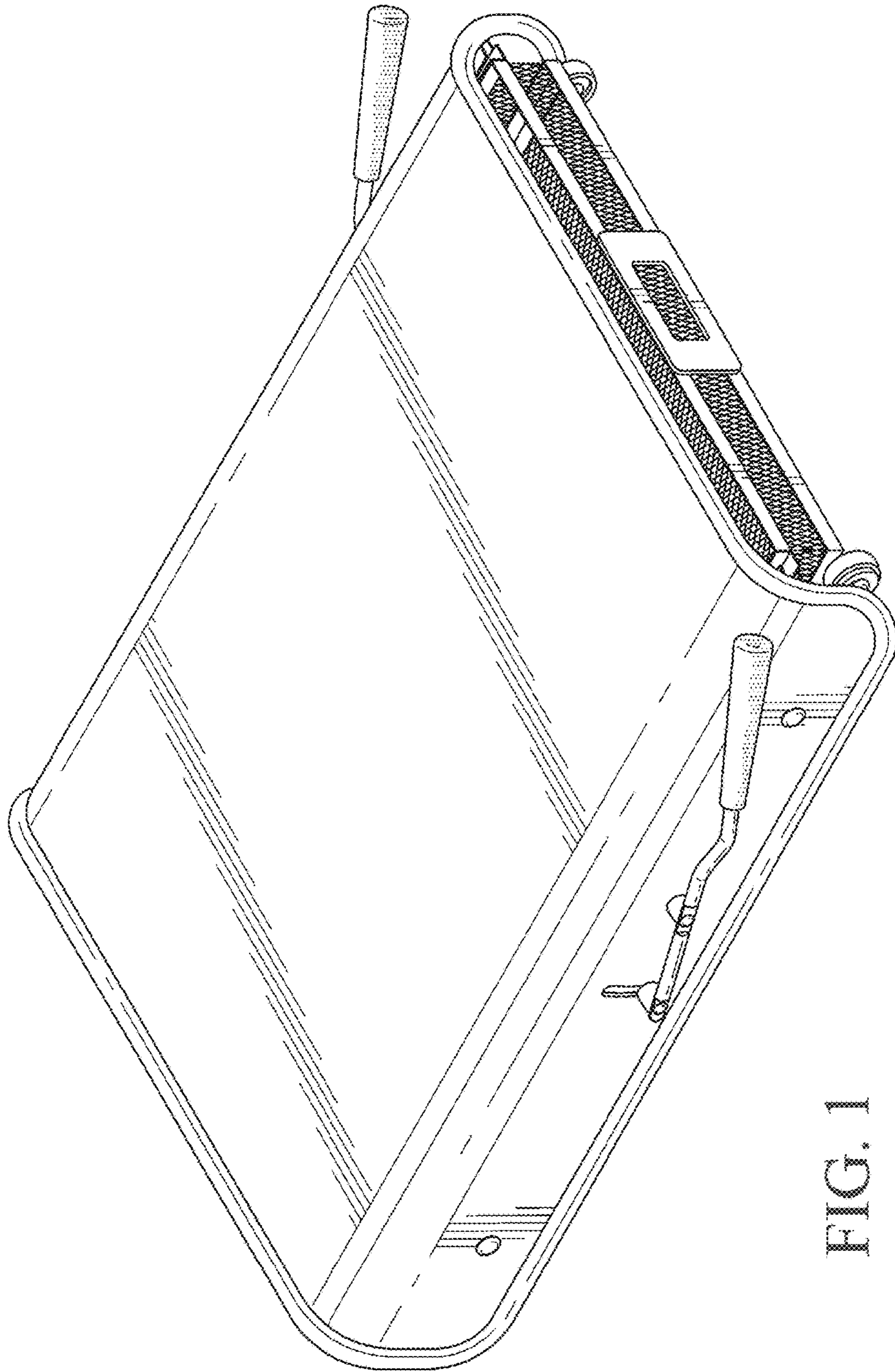


FIG. 1

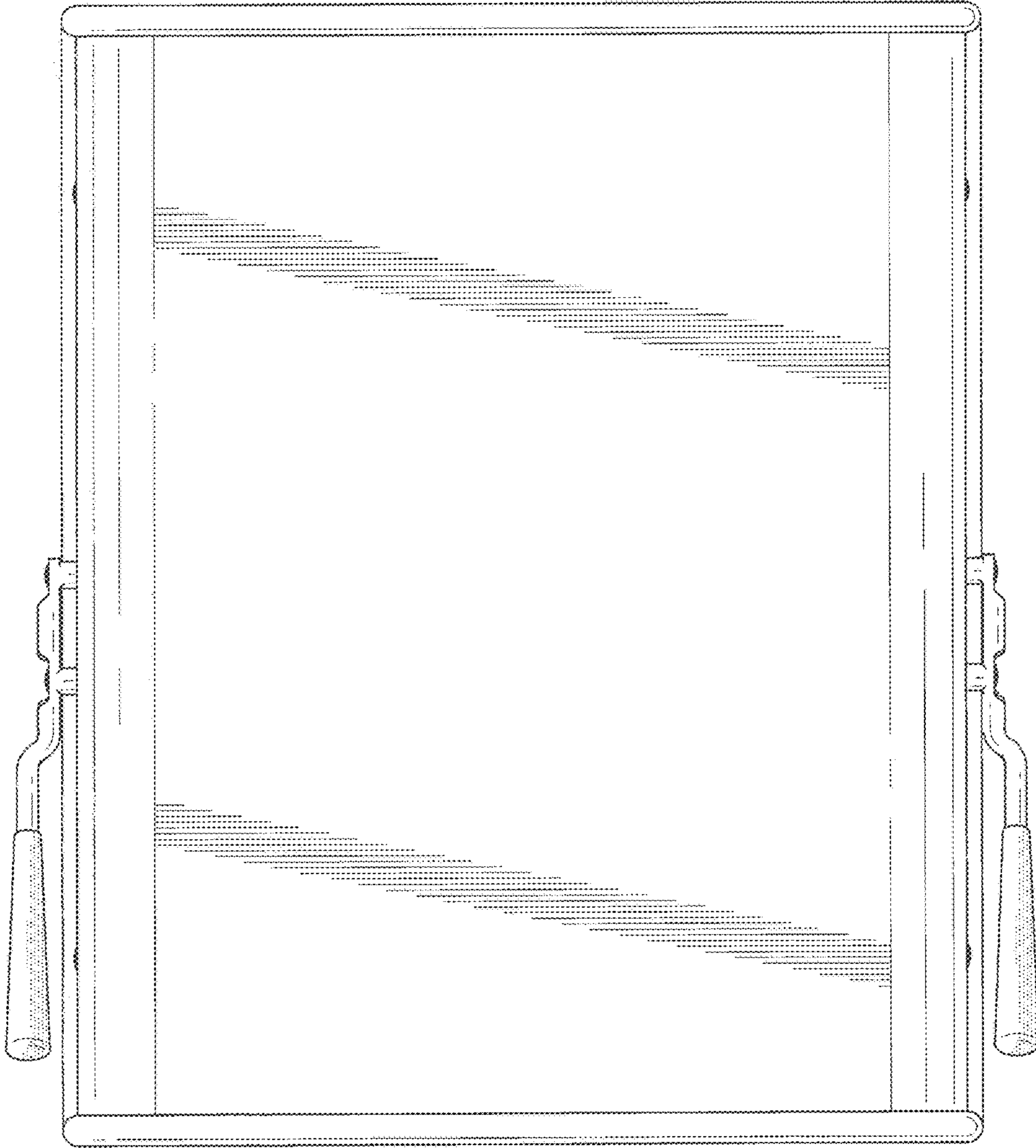


FIG. 2

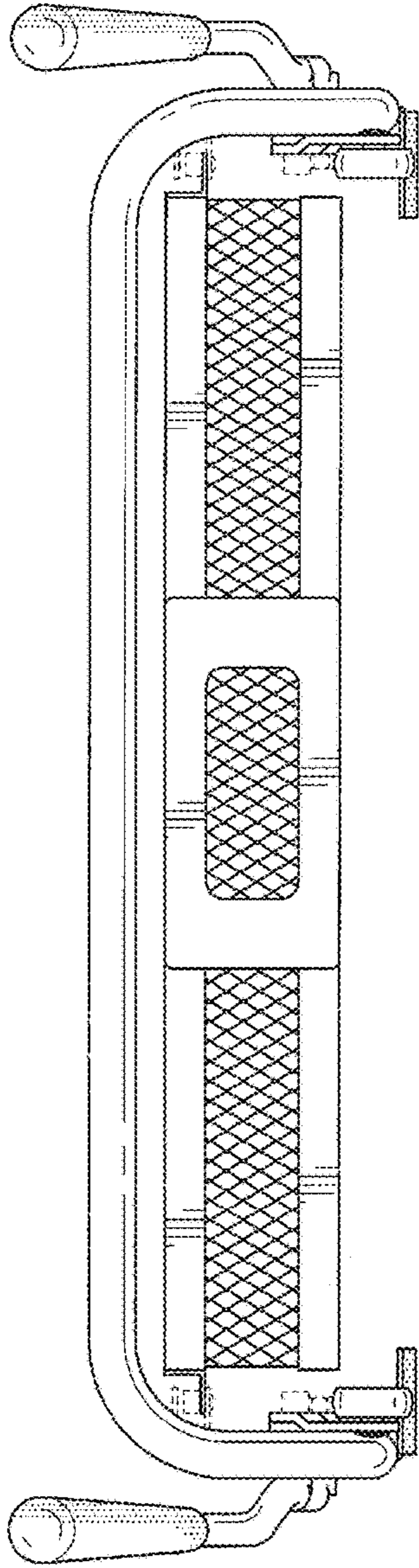


FIG. 3

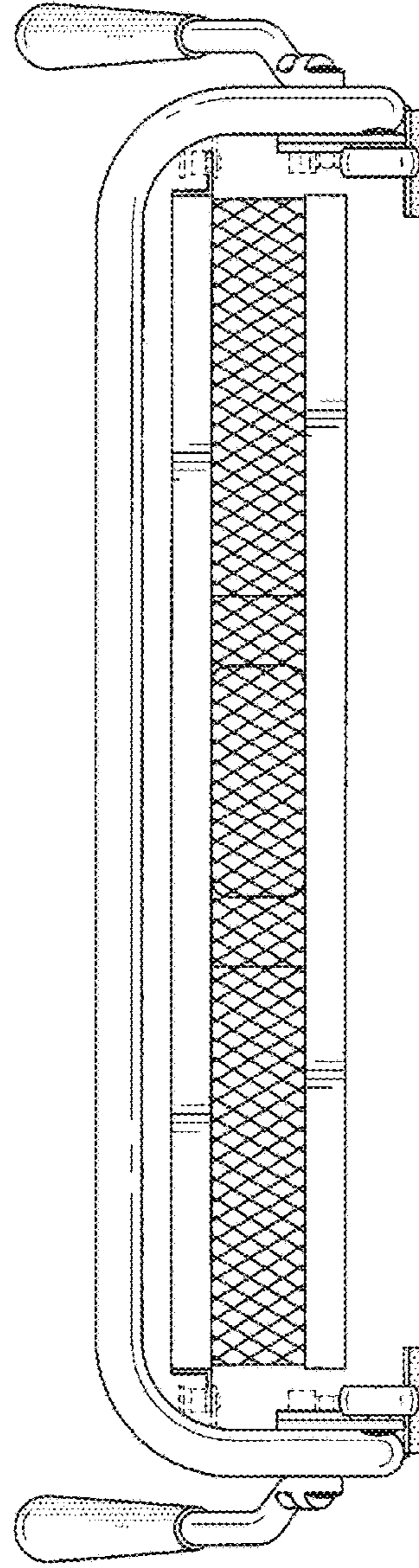


FIG. 4

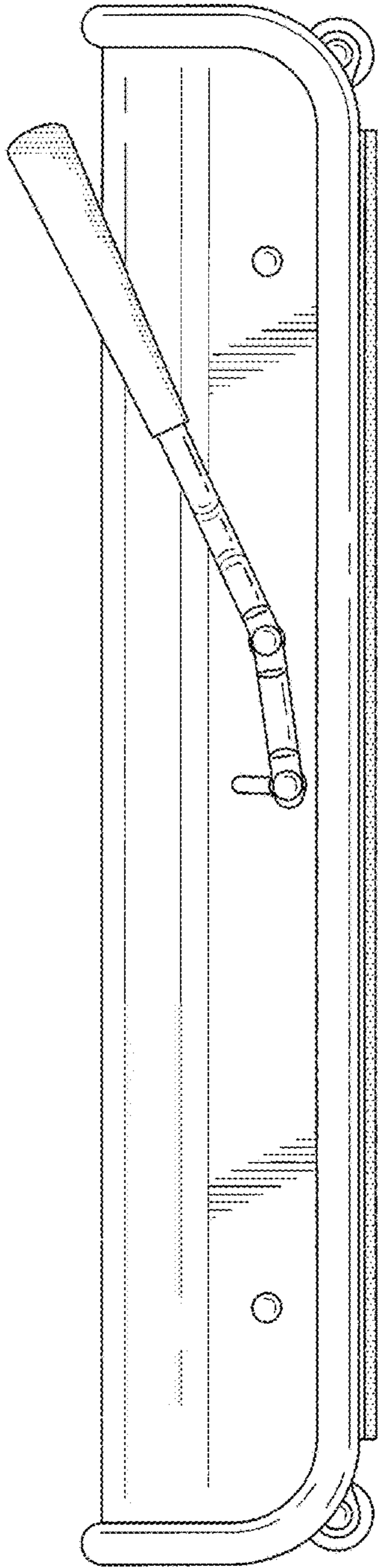


FIG. 5

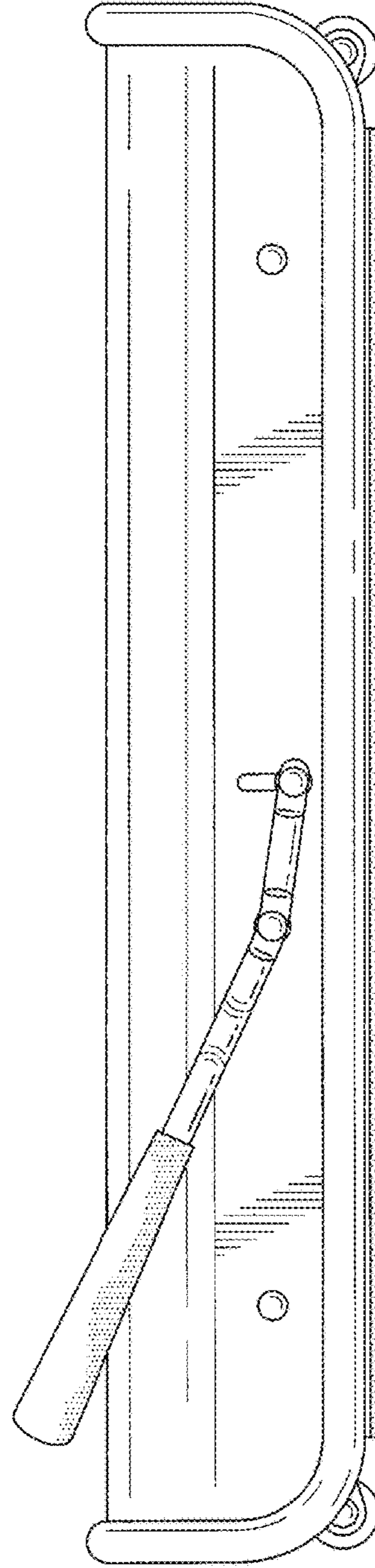


FIG. 6

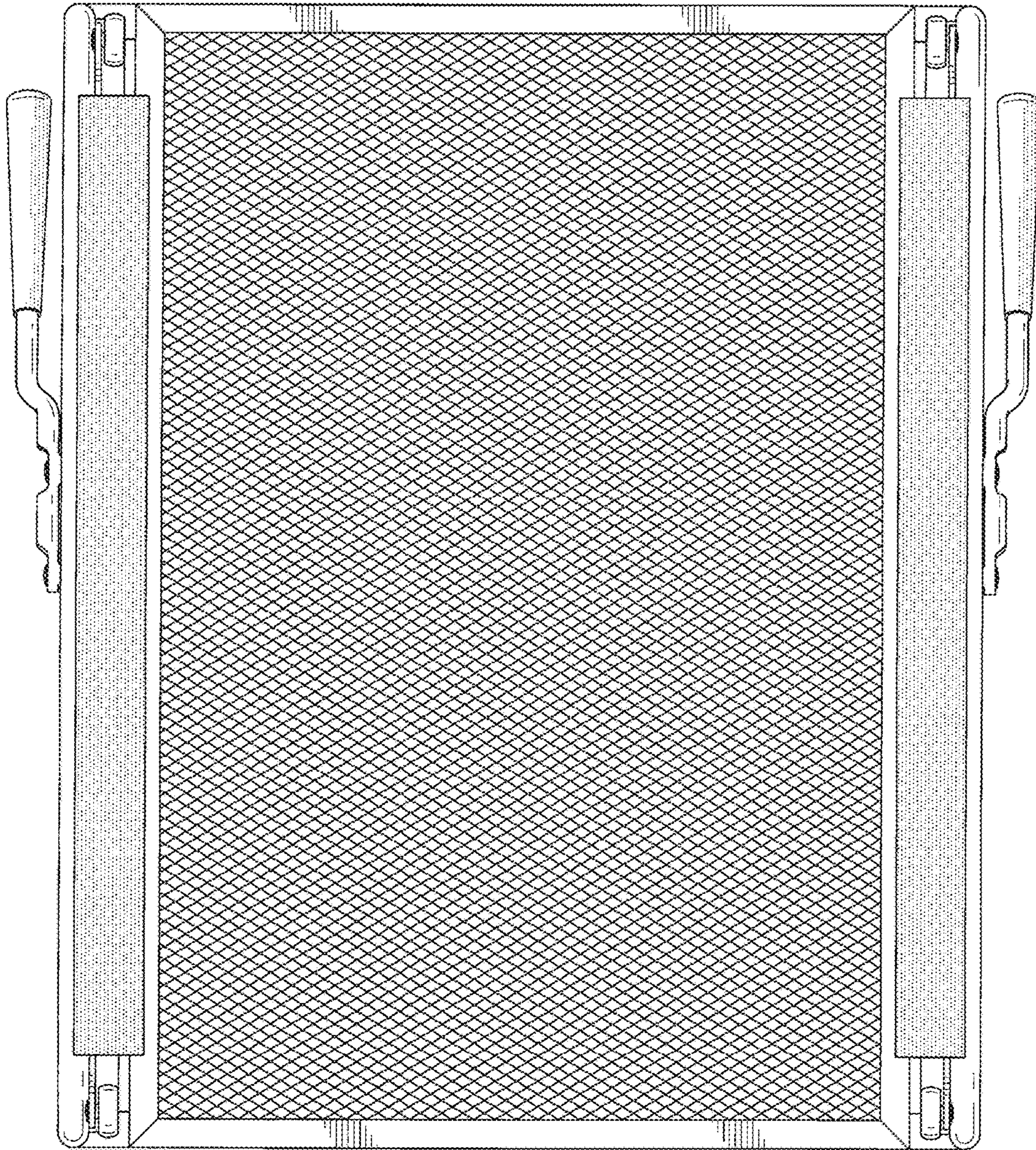


FIG. 7

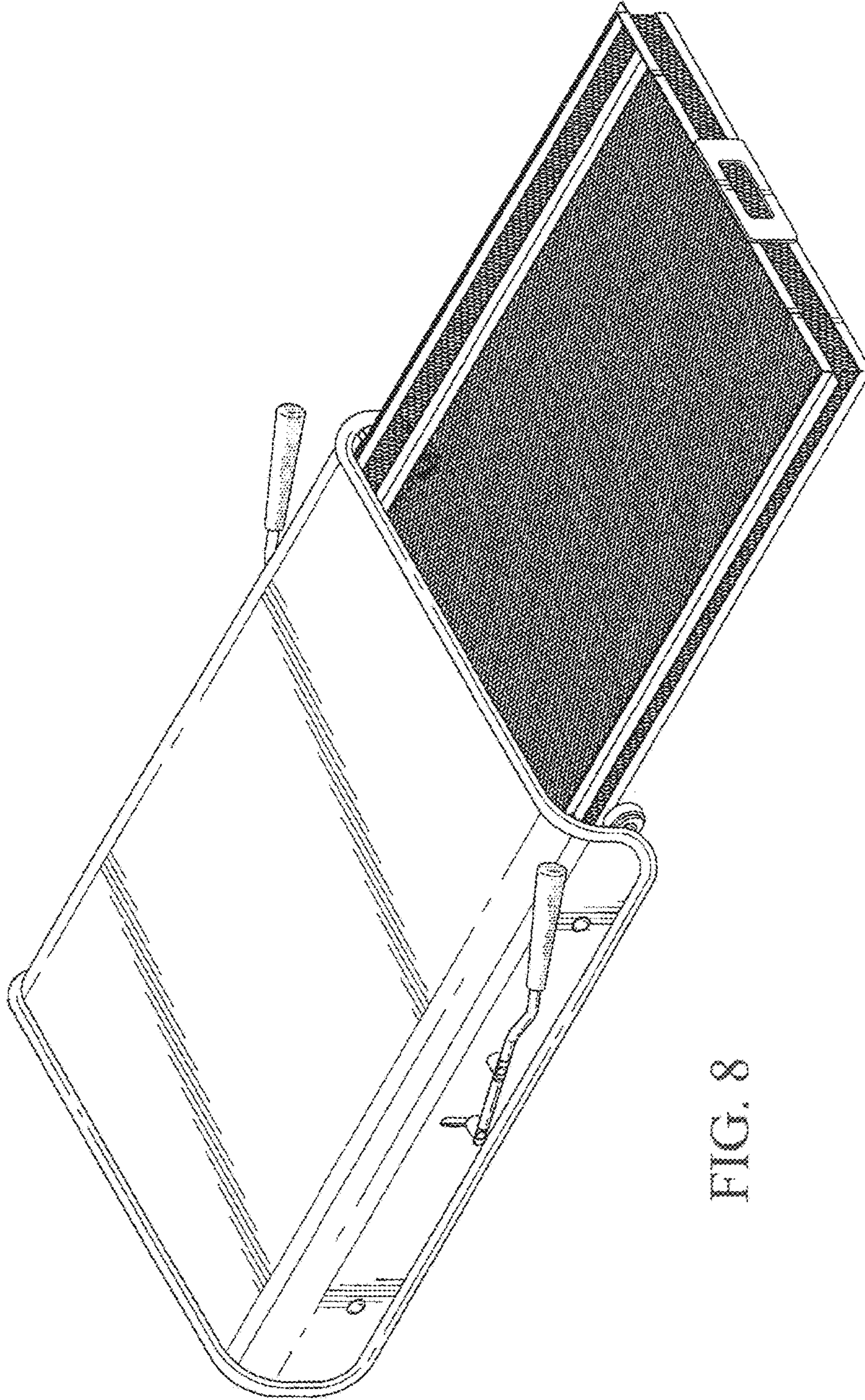


FIG. 8

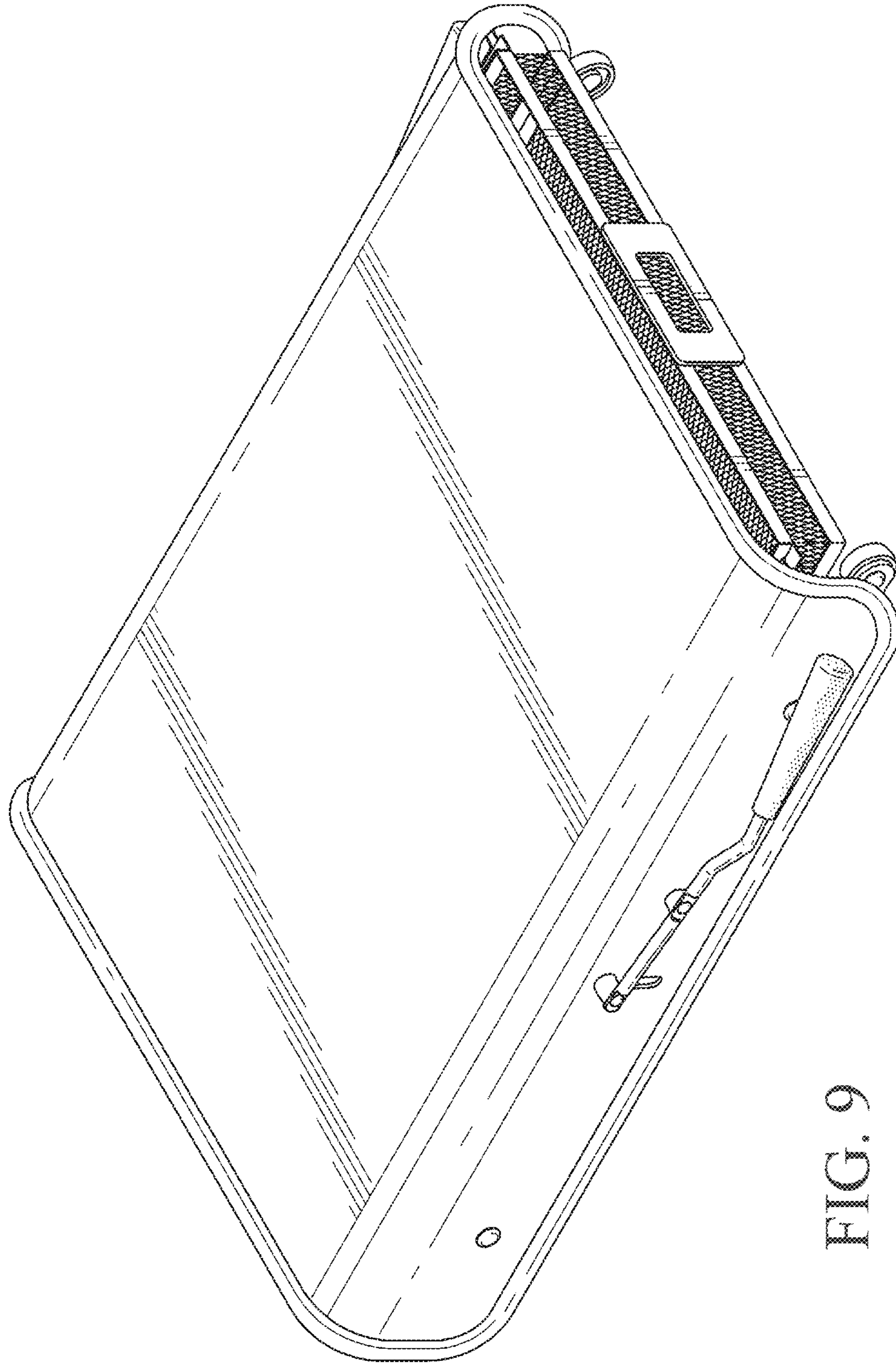


FIG. 9

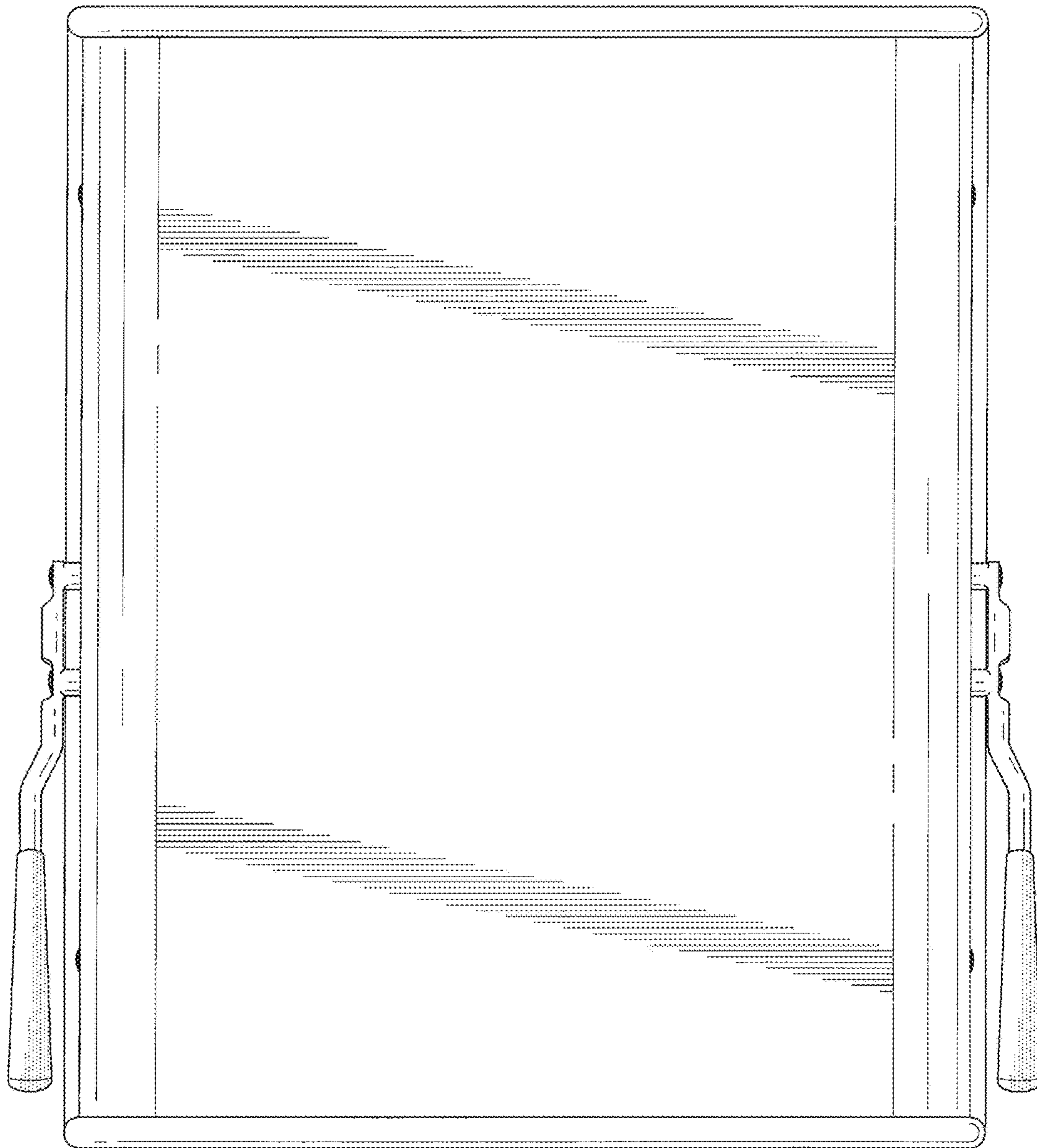


FIG. 10

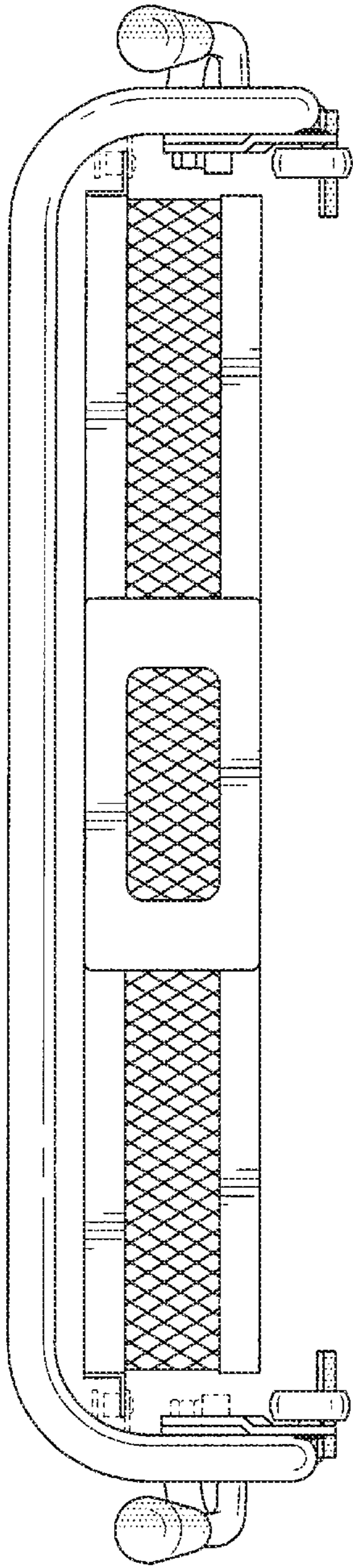


FIG. 11

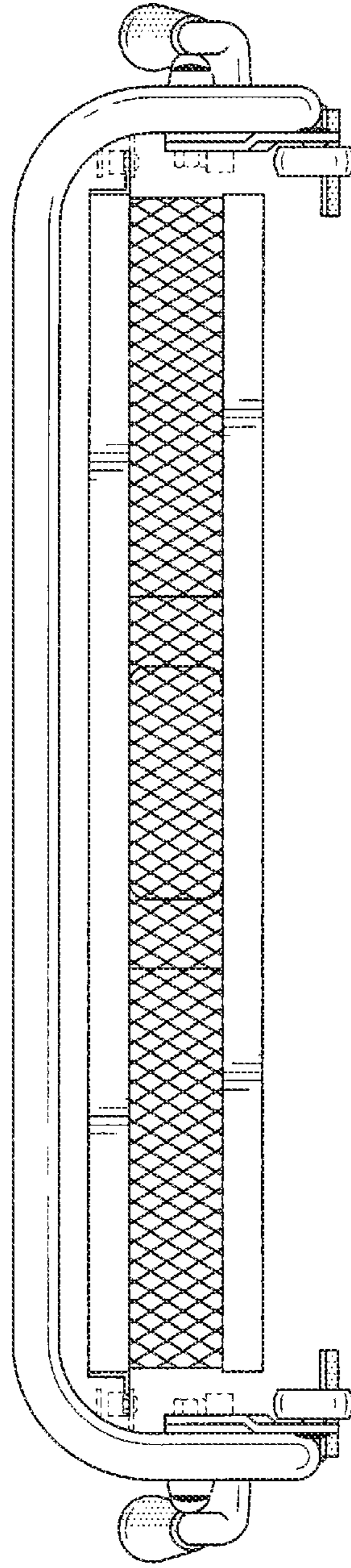


FIG. 12

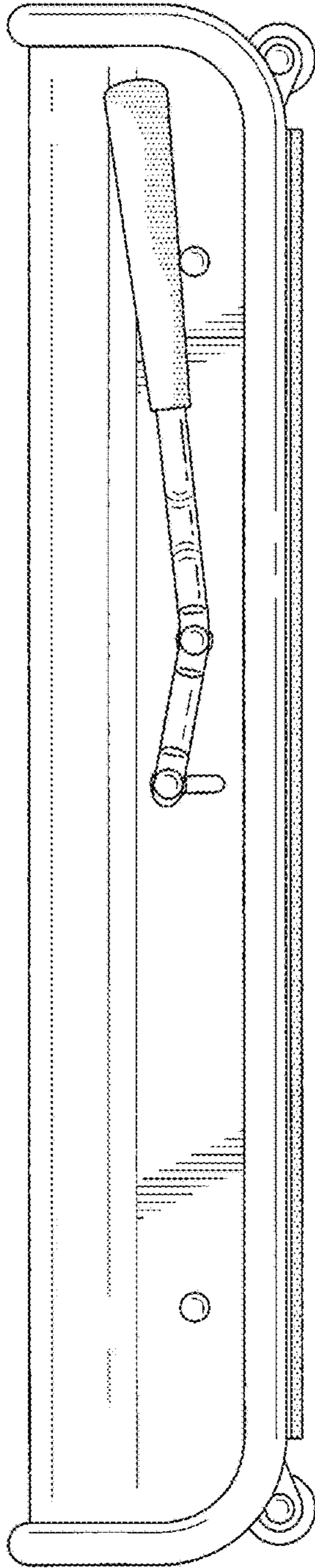


FIG. 13

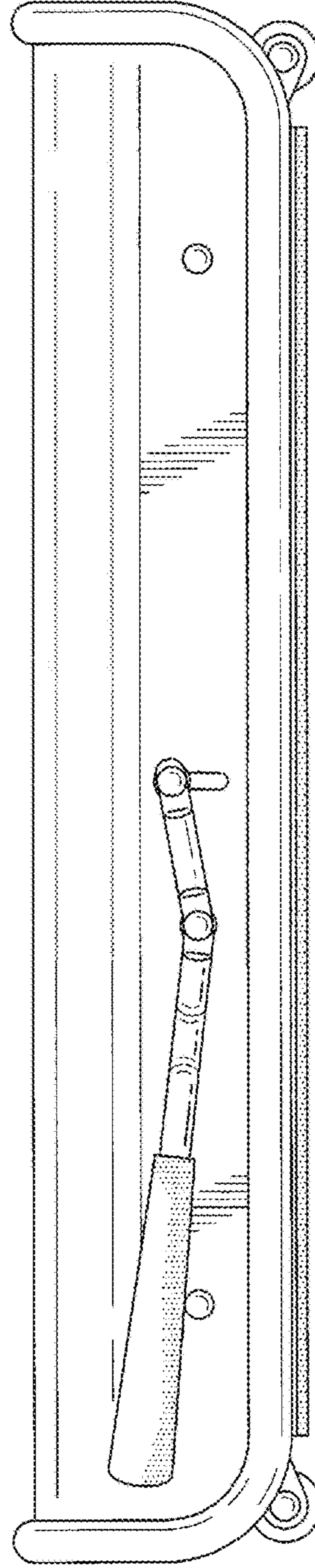


FIG. 14

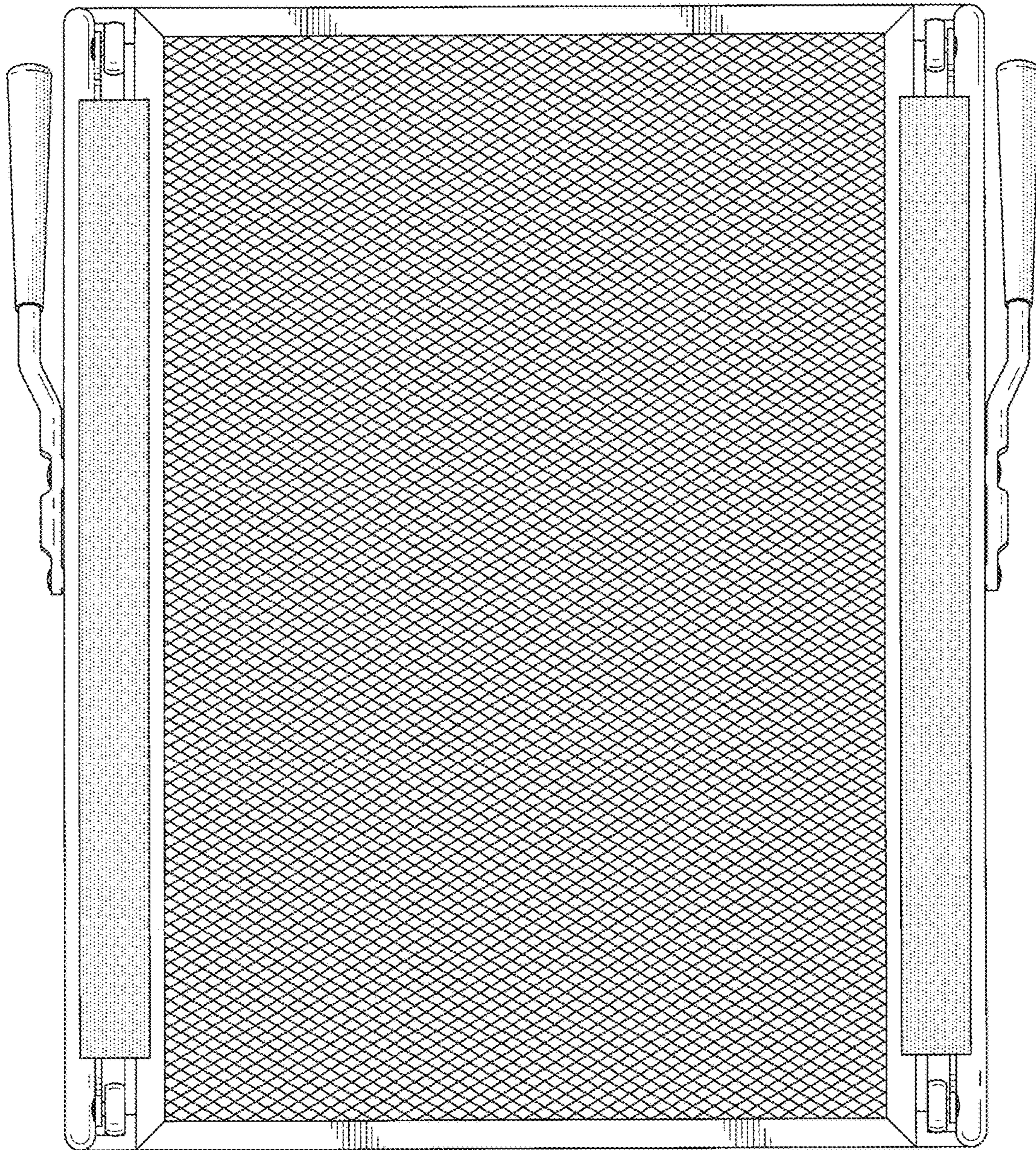


FIG. 15