



US00D815493S

(12) **United States Design Patent**
Merritt

(10) **Patent No.:** **US D815,493 S**
(45) **Date of Patent:** **** Apr. 17, 2018**

- (54) **DUAL CHAMBER CONDIMENT CONTAINER**
- (71) Applicant: **Alyse Nicole Merritt**, Land O'Lakes, FL (US)
- (72) Inventor: **Alyse Nicole Merritt**, Land O'Lakes, FL (US)
- (**) Term: **15 Years**
- (21) Appl. No.: **29/558,909**
- (22) Filed: **Mar. 23, 2016**
- (51) **LOC (11) Cl.** **07-06**
- (52) **U.S. Cl.**
USPC **D7/590**
- (58) **Field of Classification Search**
USPC D7/590-599, 679, 401.1, 517; D9/549, D9/559, 574, 575, 905, 600, 680, 614
CPC A47G 19/00; A47G 19/24; A47G 19/012; A47G 19/34; G09B 21/00; G09B 21/003; B65D 47/26; B65D 47/04; B65D 47/265; B65D 25/04
See application file for complete search history.

- (56) **References Cited**
U.S. PATENT DOCUMENTS
917,804 A * 4/1909 Sedgwick A47G 19/24 206/509
1,390,116 A * 9/1921 Fox B65D 47/265 229/125.08
2,431,049 A * 11/1947 Killa A47G 19/24 222/142.4
2,459,133 A * 1/1949 Nyberg A47G 19/24 222/142.2
2,480,606 A * 8/1949 Rabbitt A47G 19/24 222/480
D156,752 S * 1/1950 Lyons D7/596
D160,876 S * 11/1950 Mesi D7/596

- D196,539 S * 10/1963 Koenigsberg D7/597
 - 3,302,813 A * 2/1967 Schaich B29C 65/18 215/382
 - D216,039 S * 11/1969 Measell 222/142.1
- (Continued)

Primary Examiner — Shannon W Morgan
(74) *Attorney, Agent, or Firm* — Patent CEO, LLC; Phillip Vales

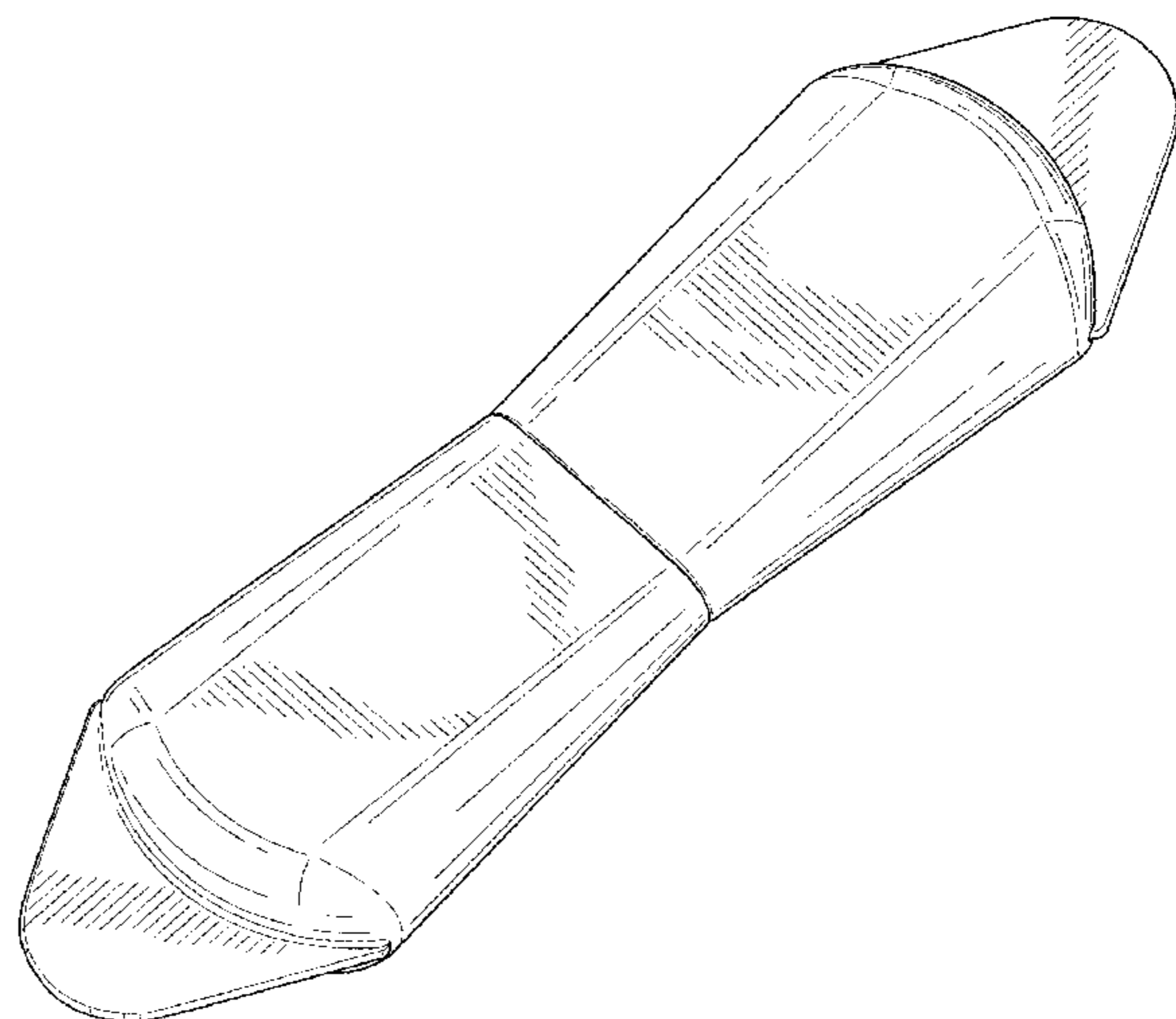
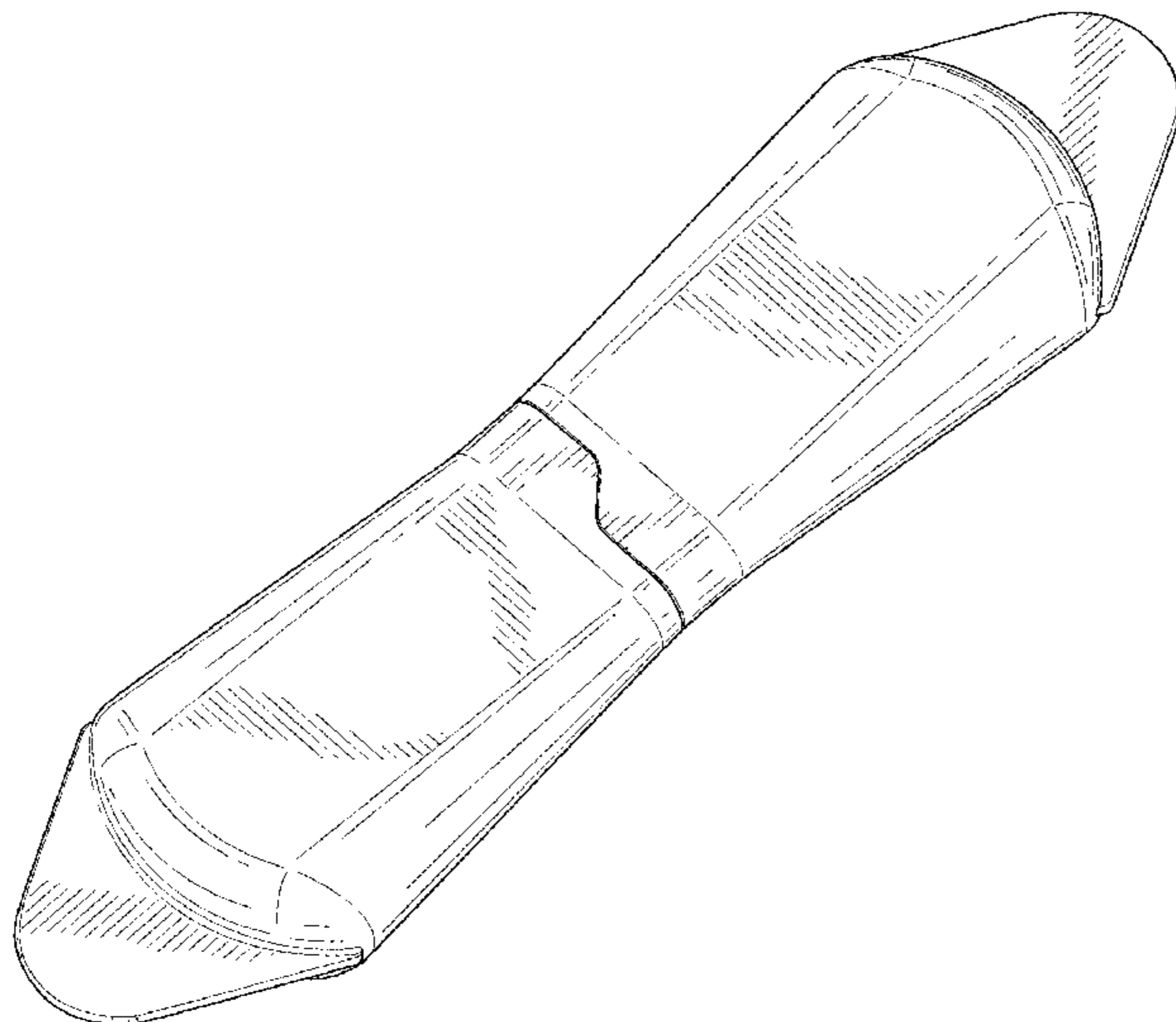
(57) **CLAIM**

The ornamental design for a dual chamber condiment container, as shown and described.

DESCRIPTION

FIG. 1 is a perspective view of a first embodiment of a dual chamber condiment container showing my new design; FIG. 2 is an exploded top left front perspective view thereof; FIG. 3 is an exploded bottom right rear perspective view thereof; FIG. 4 is a front elevational view thereof; FIG. 5 is a rear elevational view thereof; FIG. 6 is a right elevation view thereof; FIG. 7 is a left elevation view thereof. FIG. 8 is a top plan view thereof; FIG. 9 is a bottom plan view thereof; FIG. 10 is a perspective view of a second embodiment of a dual chamber condiment container showing my new design; FIG. 11 is an exploded top left front perspective view thereof; FIG. 12 is an exploded bottom right rear perspective view thereof; FIG. 13 is a front elevational view thereof; FIG. 14 is a rear elevational view thereof; FIG. 15 is a right elevational view thereof; FIG. 16 is a left elevational view thereof; FIG. 17 is a top plan view thereof; and, FIG. 18 is a bottom plan view thereof.

1 Claim, 10 Drawing Sheets



(56)

References Cited

U.S. PATENT DOCUMENTS

3,485,416 A * 12/1969 Fohrman A47G 19/24
220/4.24
D248,812 S * 8/1978 Eiserman D7/608
D269,489 S * 6/1983 Akita D7/372
4,444,324 A * 4/1984 Grenell B65D 25/04
206/545
D285,732 S * 9/1986 Holloway D28/85
D311,113 S * 10/1990 Magaraggia nee
Ferrighi D7/596
4,961,521 A * 10/1990 Eckman A47G 19/24
128/203.15
5,064,100 A * 11/1991 Mural B01F 15/0404
215/10
D322,028 S * 12/1991 Appleby D6/542
D335,066 S * 4/1993 Good D7/596
D380,355 S * 7/1997 Husted D7/679
D390,356 S * 2/1998 Fortier D3/264
5,803,268 A * 9/1998 Levy A45D 34/00
132/315
D510,844 S * 10/2005 Chiu D7/679
D520,521 S * 5/2006 Angeletta D15/7
D562,087 S * 2/2008 Kalogroulis D7/679
D567,582 S * 4/2008 Blum D7/401.1
D567,598 S * 4/2008 Lee D7/679
D609,535 S * 2/2010 Kavanaugh D7/679
D609,536 S * 2/2010 Tang D7/679
D616,261 S * 5/2010 Lundstrom D7/679
D616,262 S * 5/2010 Lundstrom D7/679
D746,691 S * 1/2016 Uchida D9/504
2006/0151352 A1 * 7/2006 Harrington, IV .. B65D 21/0204
206/509
2016/0039582 A1 * 2/2016 Hui A45D 34/00
206/457
2016/0213201 A1 * 7/2016 Ku A47J 47/04

* cited by examiner

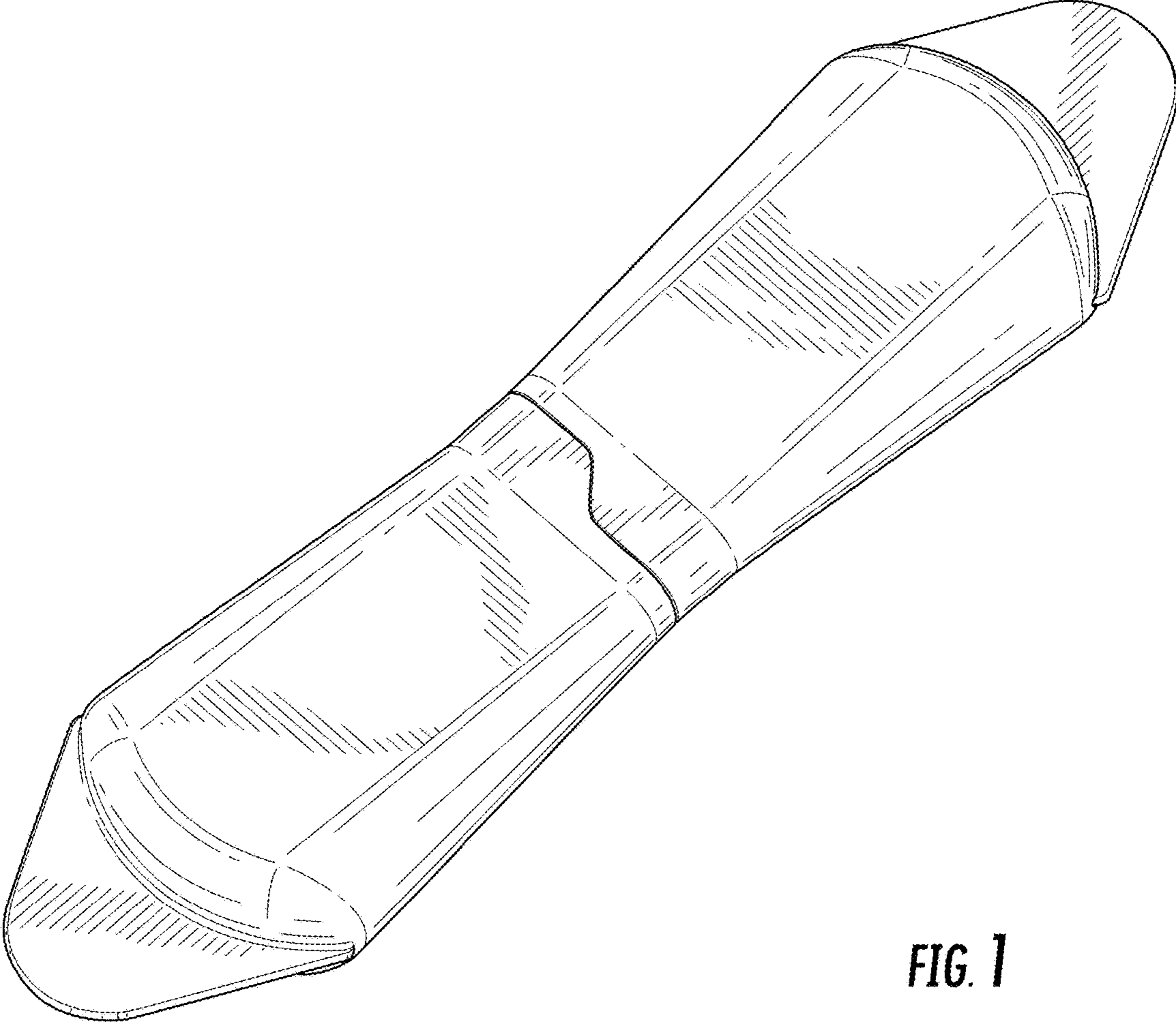


FIG. 1

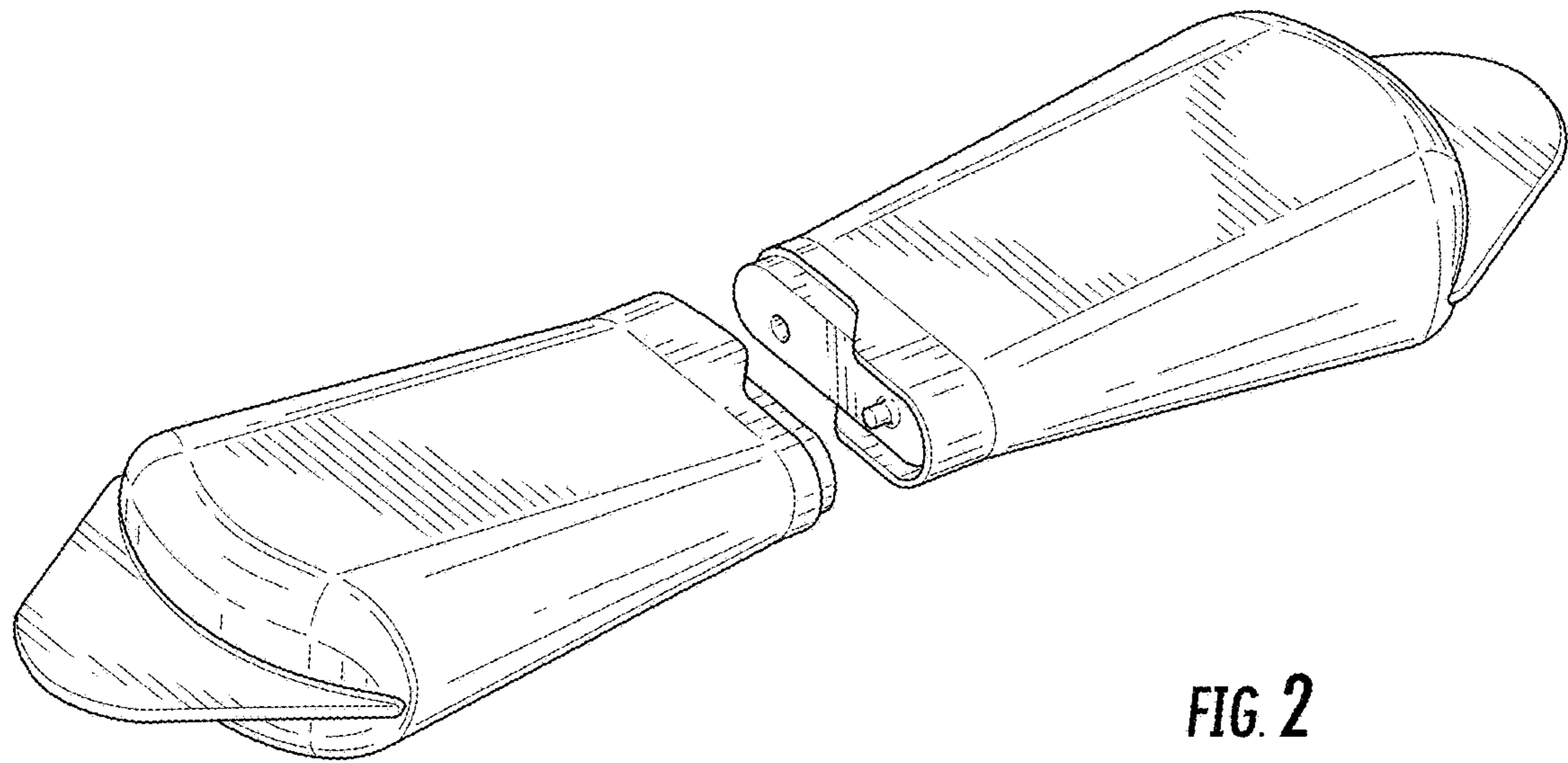


FIG. 2

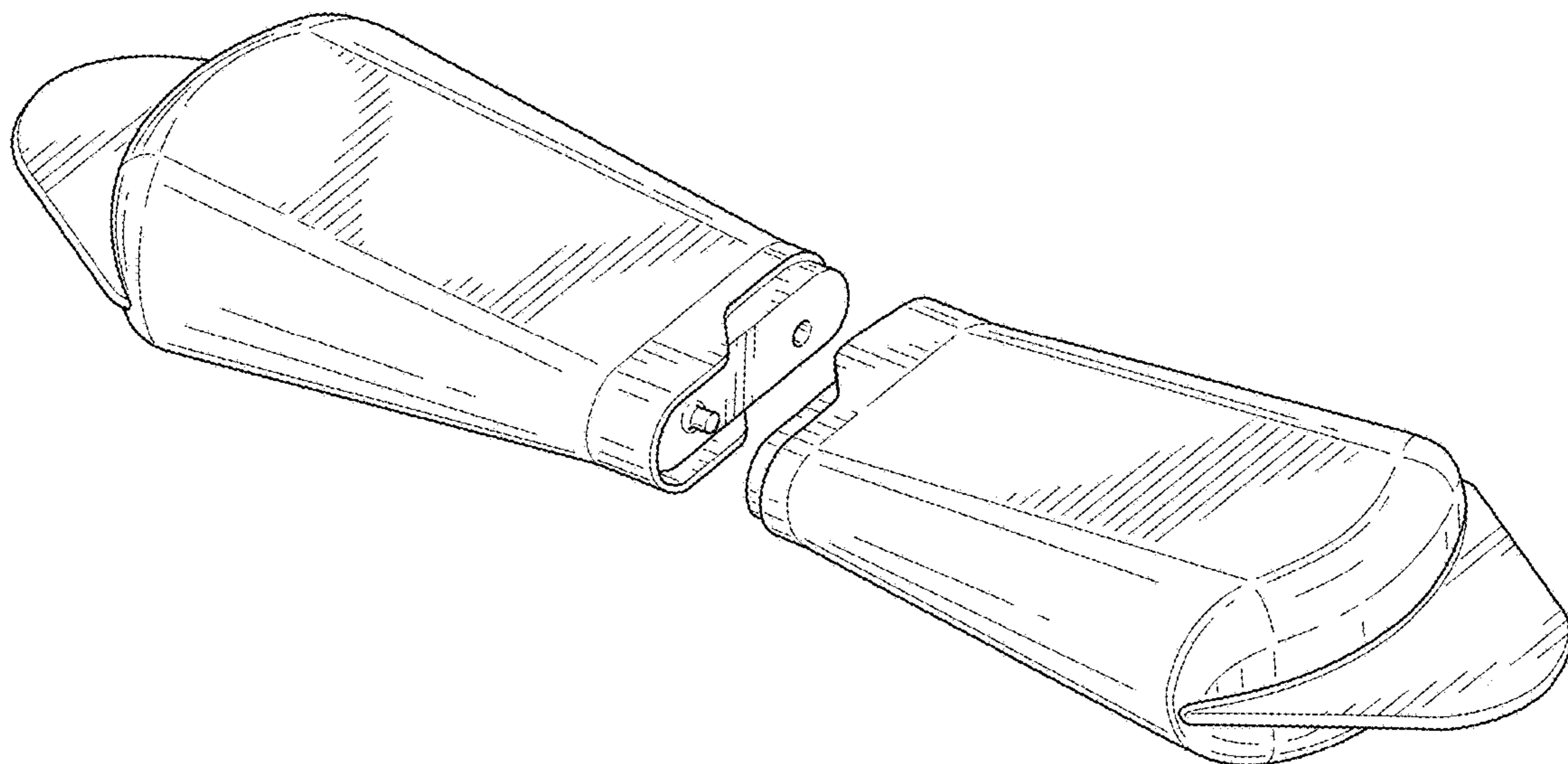


FIG. 3

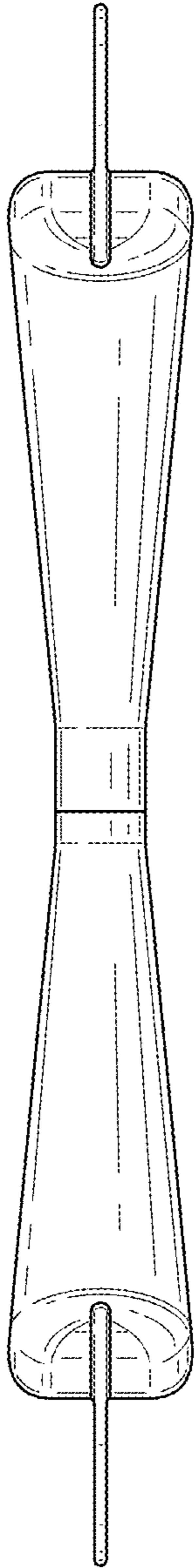


FIG. 4

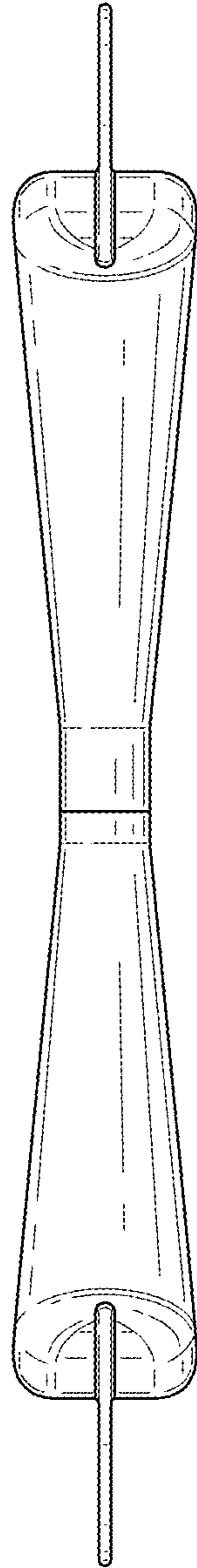


FIG. 5

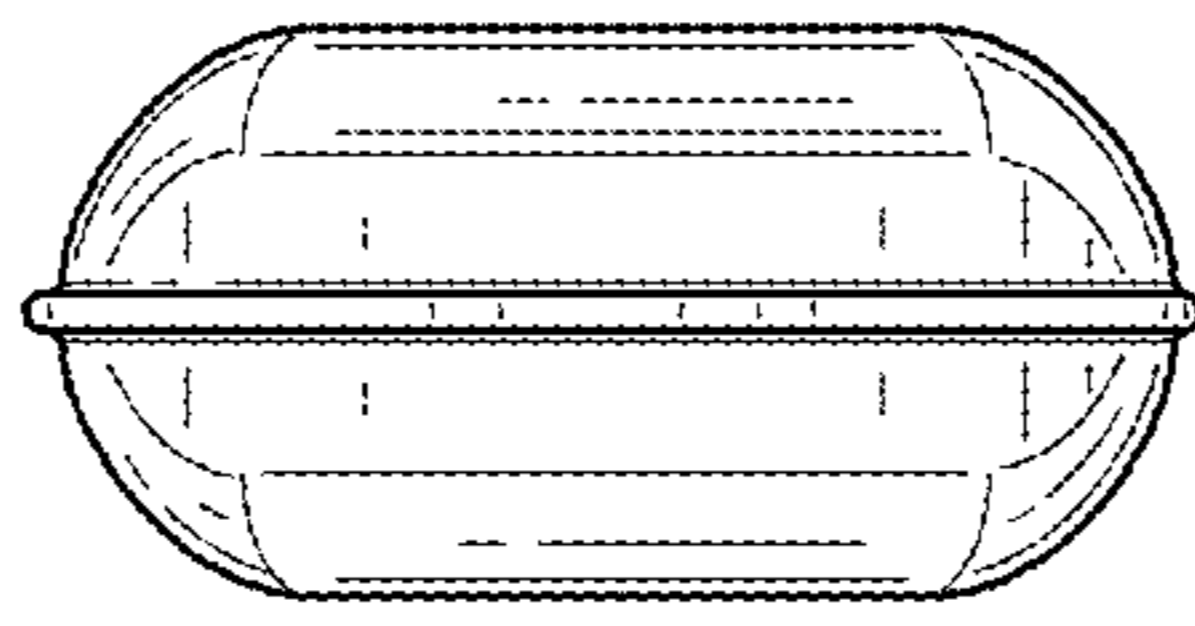


FIG. 6

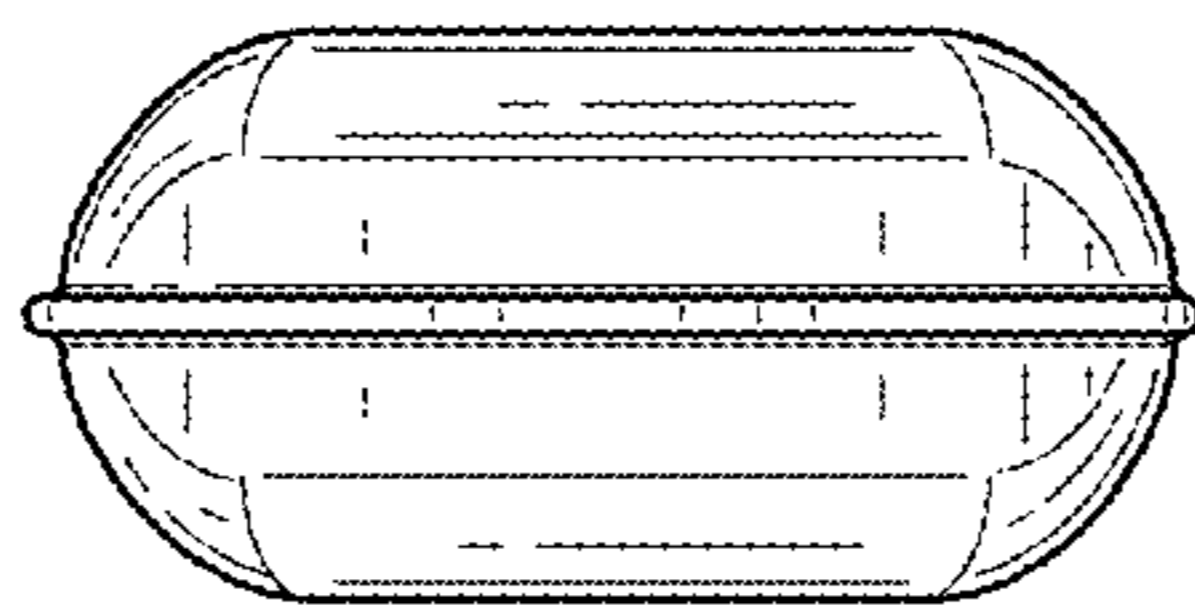


FIG. 7

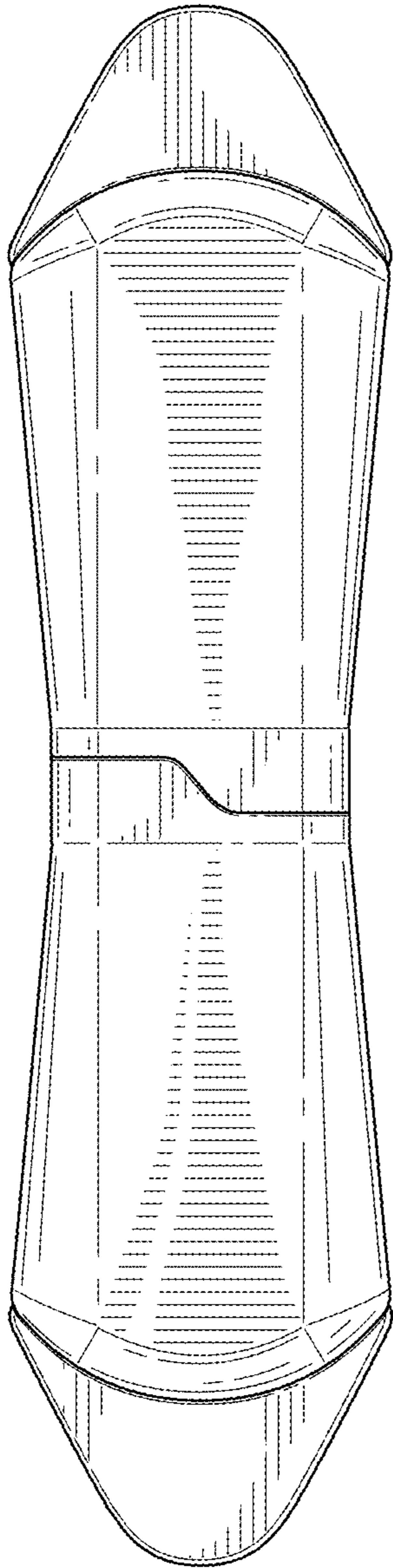


FIG. 8

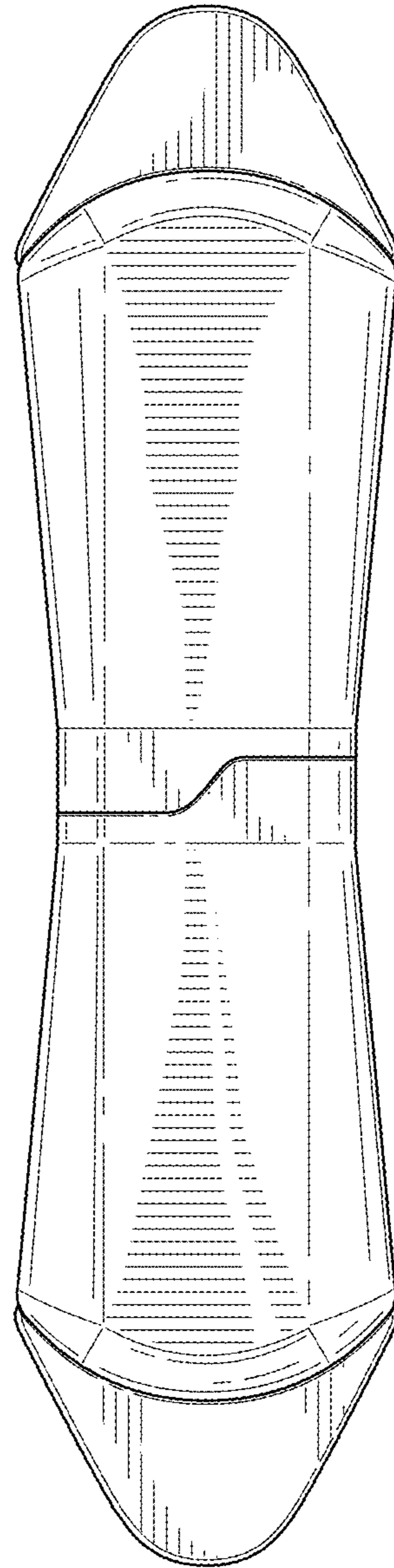


FIG. 9

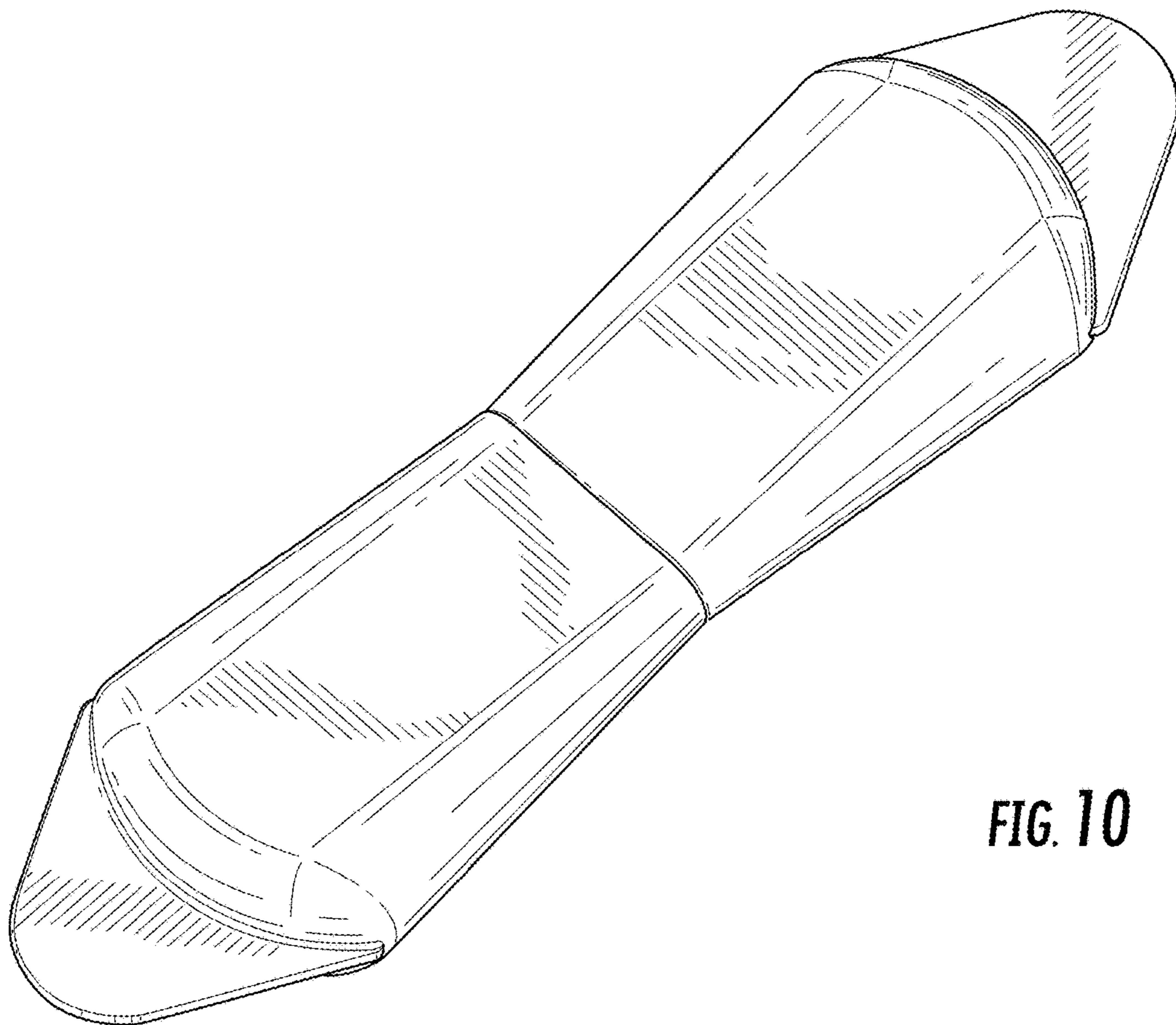


FIG. 10

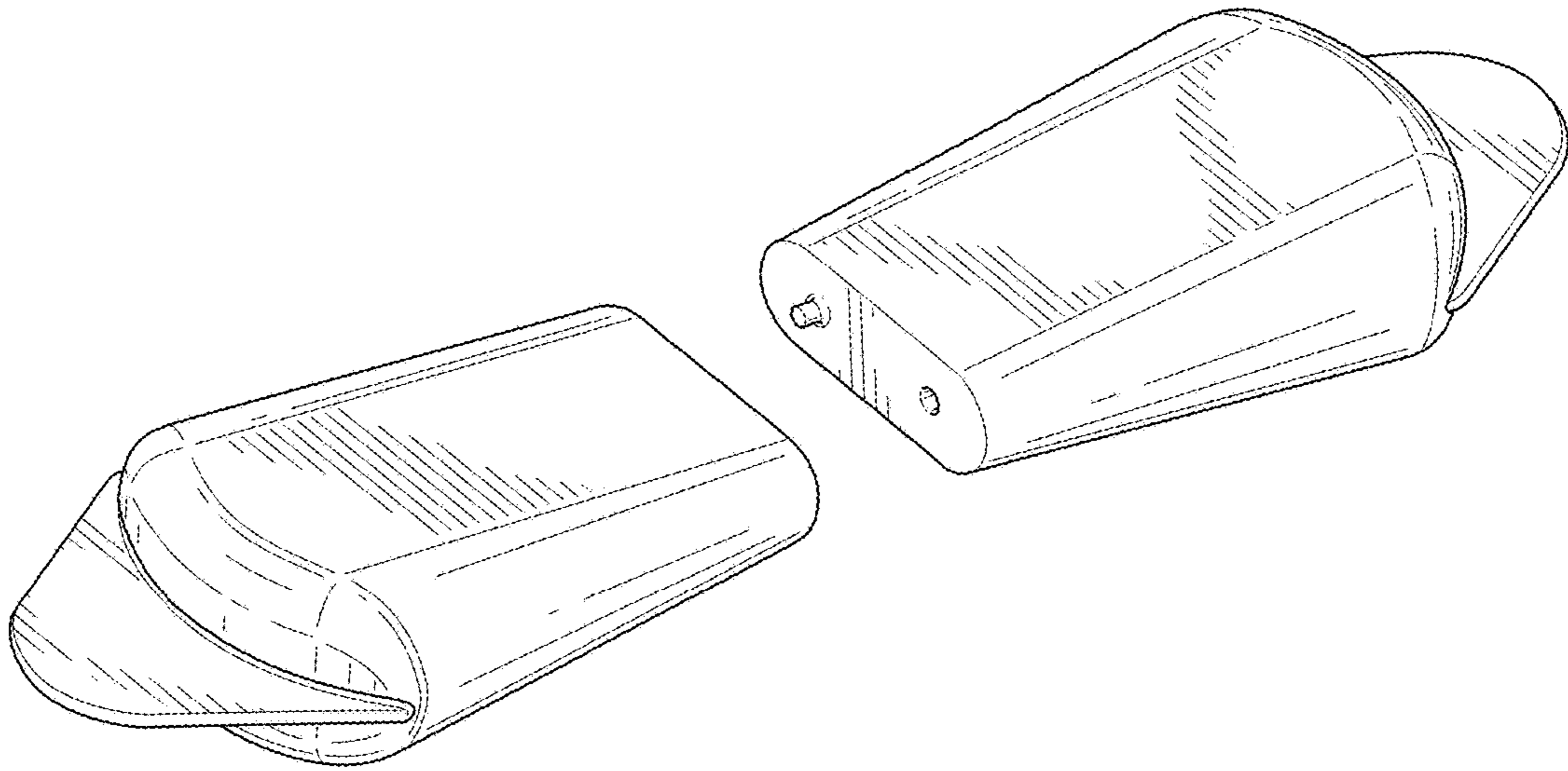


FIG. 11

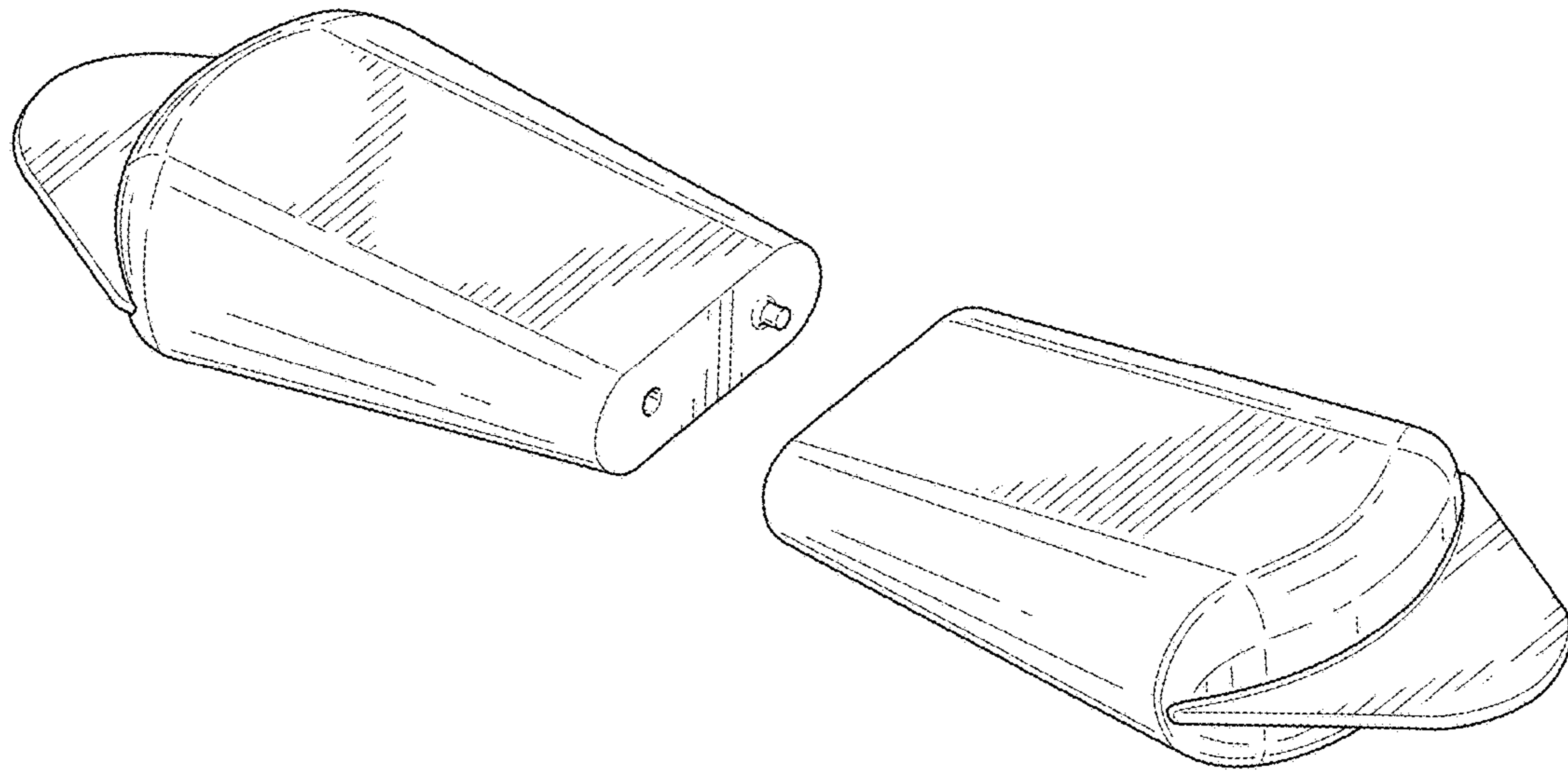


FIG. 12

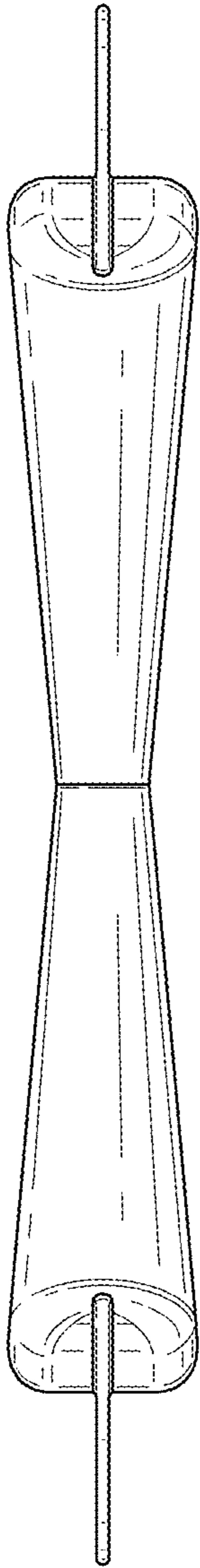


FIG. 13

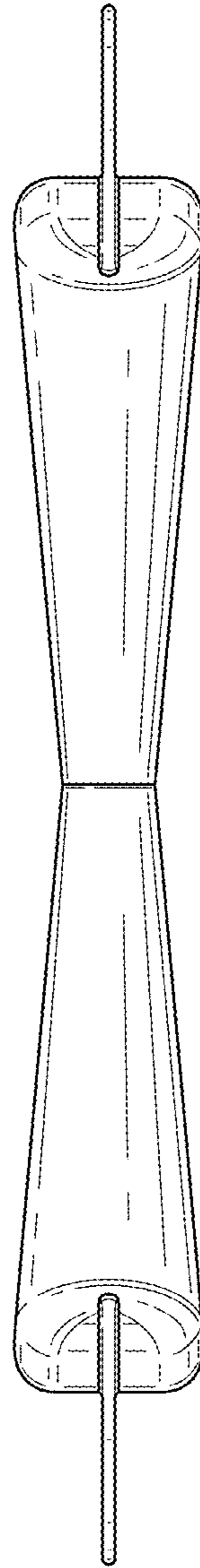


FIG. 14

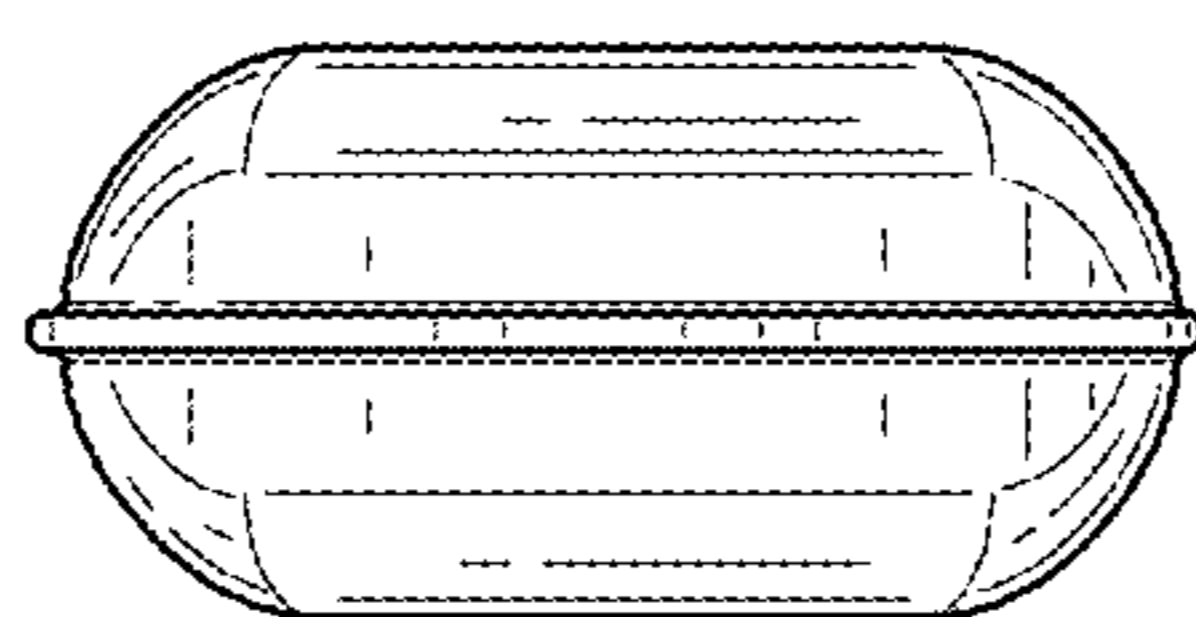


FIG. 15

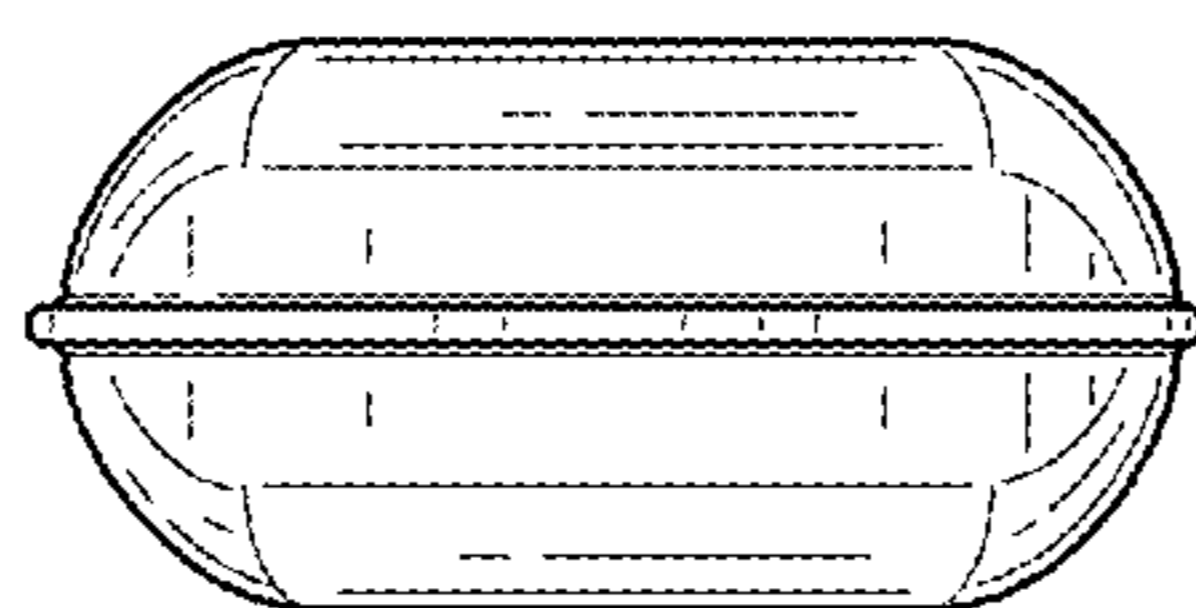


FIG. 16

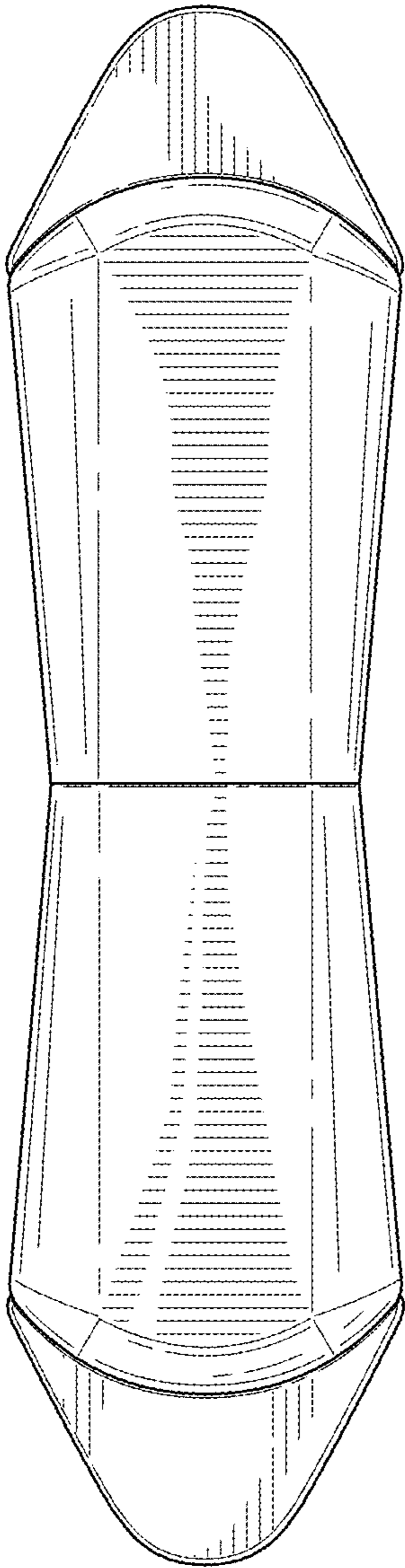


FIG. 17

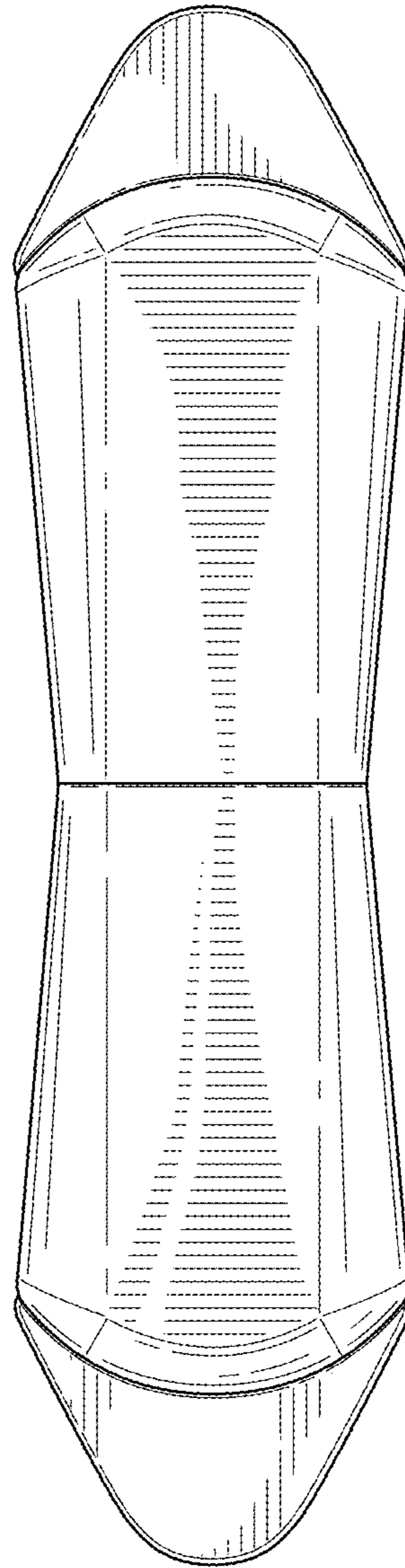


FIG. 18