



US00D815489S

(12) **United States Design Patent**
Yan et al.

(10) **Patent No.:** **US D815,489 S**

(45) **Date of Patent:** **** Apr. 17, 2018**

(54) **CUP LID**

(71) Applicant: **ANHUI HENGXIN ENVIRONMENTAL PROTECTION AND NEW MATERIAL CO., LTD**, Hefei (CN)

(72) Inventors: **Shujing Yan**, Hefei (CN); **Jian Xu**, Hefei (CN)

(73) Assignee: **Anhui Hengxin Environmental Protection and New Material Co., Ltd**, Hefei (CN)

(**) Term: **15 Years**

(21) Appl. No.: **29/578,259**

(22) Filed: **Sep. 20, 2016**

(30) **Foreign Application Priority Data**

Aug. 5, 2016 (CN) 2016 3 0370812

(51) **LOC (11) Cl.** **07-99**

(52) **U.S. Cl.**
USPC **D7/396.2**

(58) **Field of Classification Search**
USPC D7/396.2, 509; D9/434-436, 438, 443, D9/446, 447, 449, 450, 452-454, 715, D9/716
CPC A47G 23/02; B65D 23/10; B65D 23/12
See application file for complete search history.

(56) **References Cited**

U.S. PATENT DOCUMENTS

D417,845 S *	12/1999	Sadlier	D7/511
D539,649 S *	4/2007	Smith	D9/435
D540,165 S *	4/2007	Hollis	D9/435
D540,167 S *	4/2007	Smith	D9/435
D592,056 S *	5/2009	Tedford, Jr.	D9/447
D635,855 S *	4/2011	Smith	D9/447
D752,436 S *	3/2016	Crudgington	D9/434
2006/0071008 A1 *	4/2006	Sadlier	B65D 43/0218 220/713

(Continued)

OTHER PUBLICATIONS

Cup Lid| Planet+ Cup Lid| posted at Amazon.com, posted on Jul. 15, 2011, © 1996-2017 Amazon.com, [online], [site visited Aug. 5, 2017]. Available from Internet, <https://www.amazon.com/Planet-Compostable-Single-Double-500-Count/dp/B00FZVZ23E/ref=sr_1_86_a_it?ie=UTF8&qid=1499977587&sr=8-86&keywords=coffee%2Bcup%2Blid&th=1>.*

Primary Examiner — Daniel D Bui

Assistant Examiner — Andrew Kerr

(74) *Attorney, Agent, or Firm* — TraskBritt

(57) **CLAIM**

The ornamental design for a cup lid, as shown and described.

DESCRIPTION

FIG. 1 is a front elevational view of a cup lid showing our new design.

FIG. 2 is a rear elevational view of the cup lid shown in FIG. 1.

FIG. 3 is a right elevational view of the cup lid shown in FIG. 1.

FIG. 4 is a left elevational view of the cup lid shown in FIG. 1.

FIG. 5 is a top elevational view of the cup lid shown in FIG. 1.

FIG. 6 is a bottom elevational view of the cup lid shown in FIG. 1.

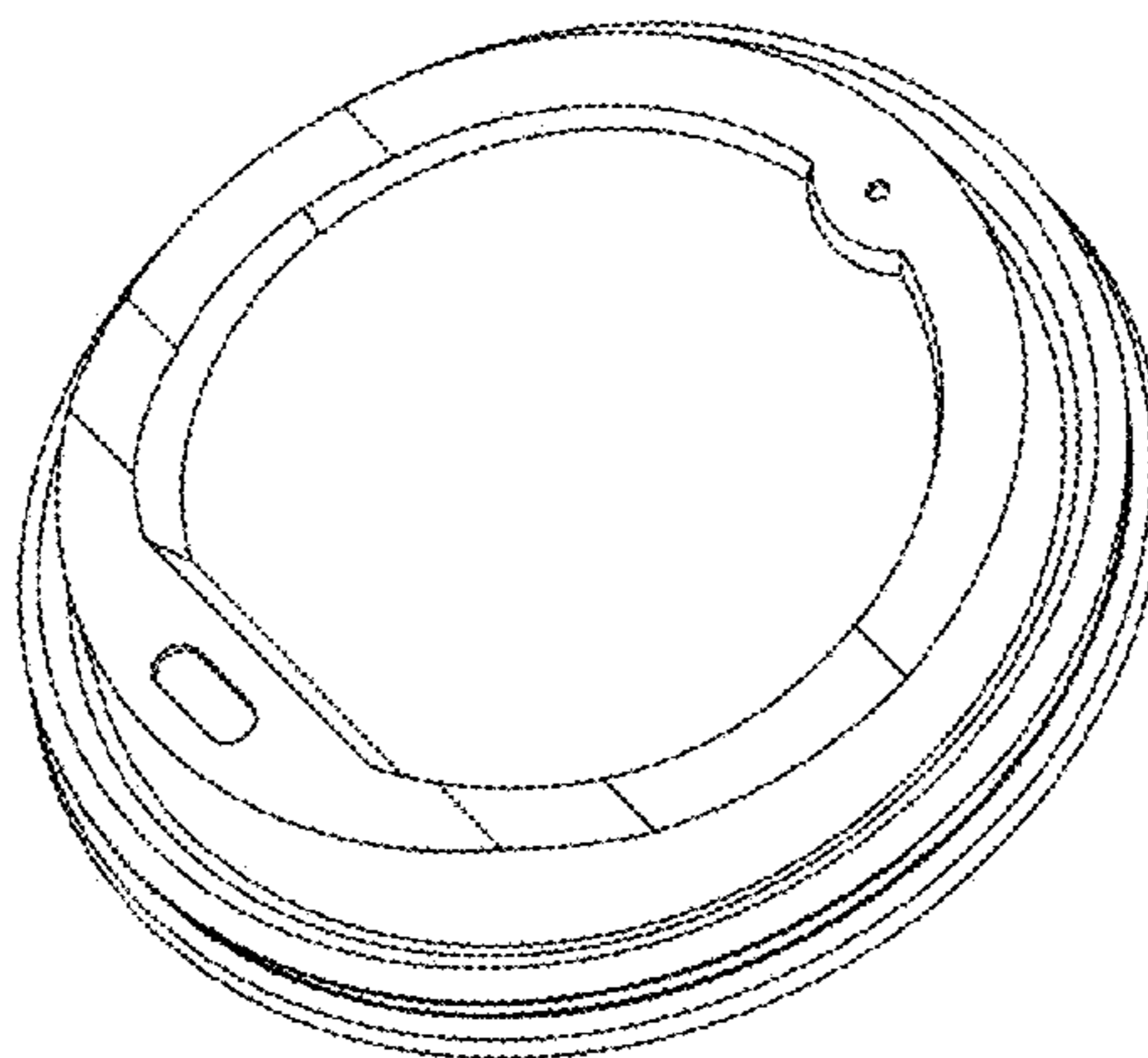
FIG. 7 is a perspective view of a front side of the cup lid shown in FIG. 1.

FIG. 8 is another perspective view of the front side of the cup lid shown in FIG. 1.

FIG. 9 is a perspective view of a rear side of the cup lid shown in FIG. 1; and,

FIG. 10 is a cross-sectional view thereof, taken along line 10-10 of FIG. 1.

1 Claim, 5 Drawing Sheets



(56)

References Cited

U.S. PATENT DOCUMENTS

2009/0283535 A1* 11/2009 Mesalic B65D 43/0212
220/709
2010/0133272 A1* 6/2010 Whitaker B65D 43/0212
220/254.1
2015/0191282 A1* 7/2015 Crudginton B29D 99/0096
220/254.7

* cited by examiner

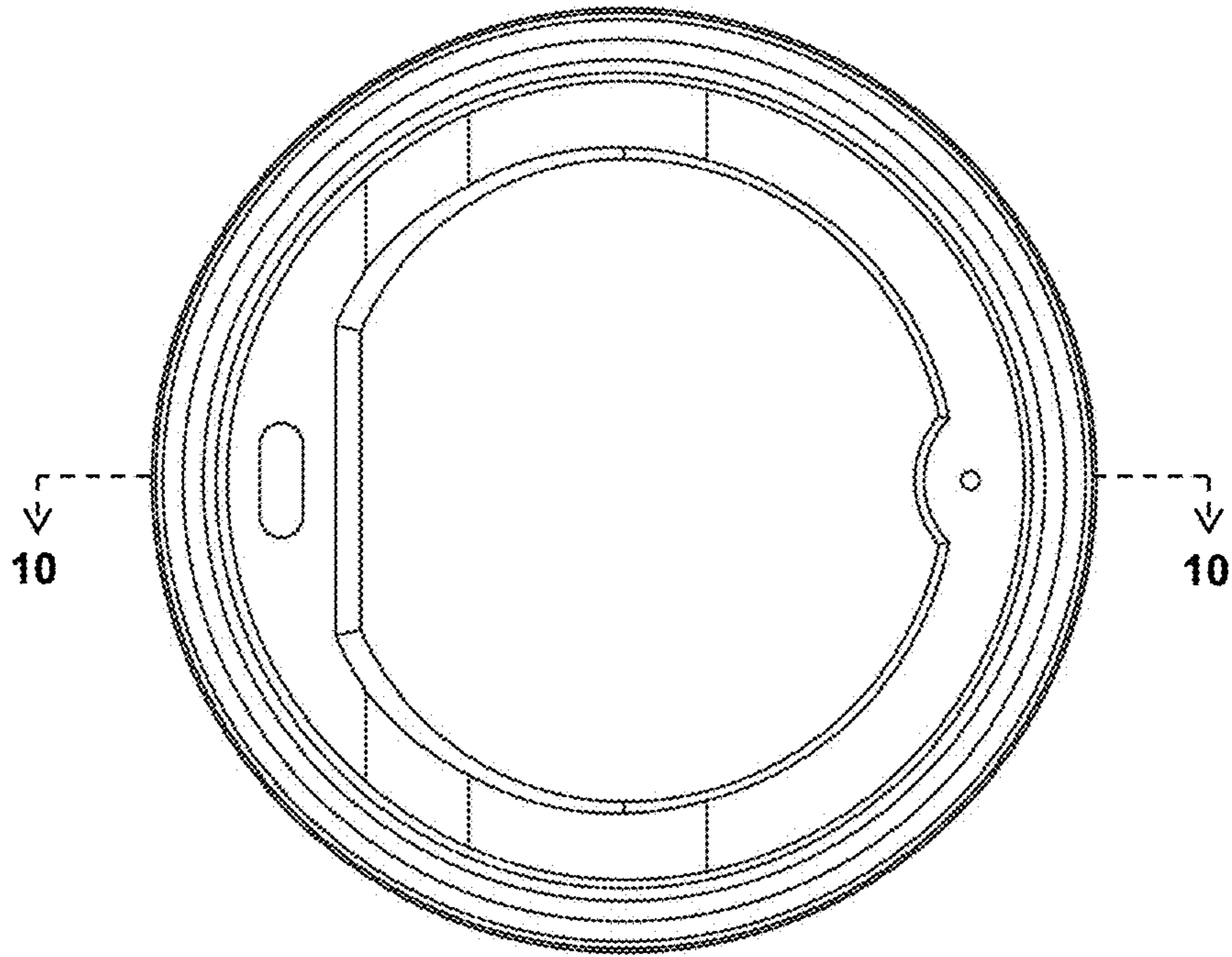


FIG. 1

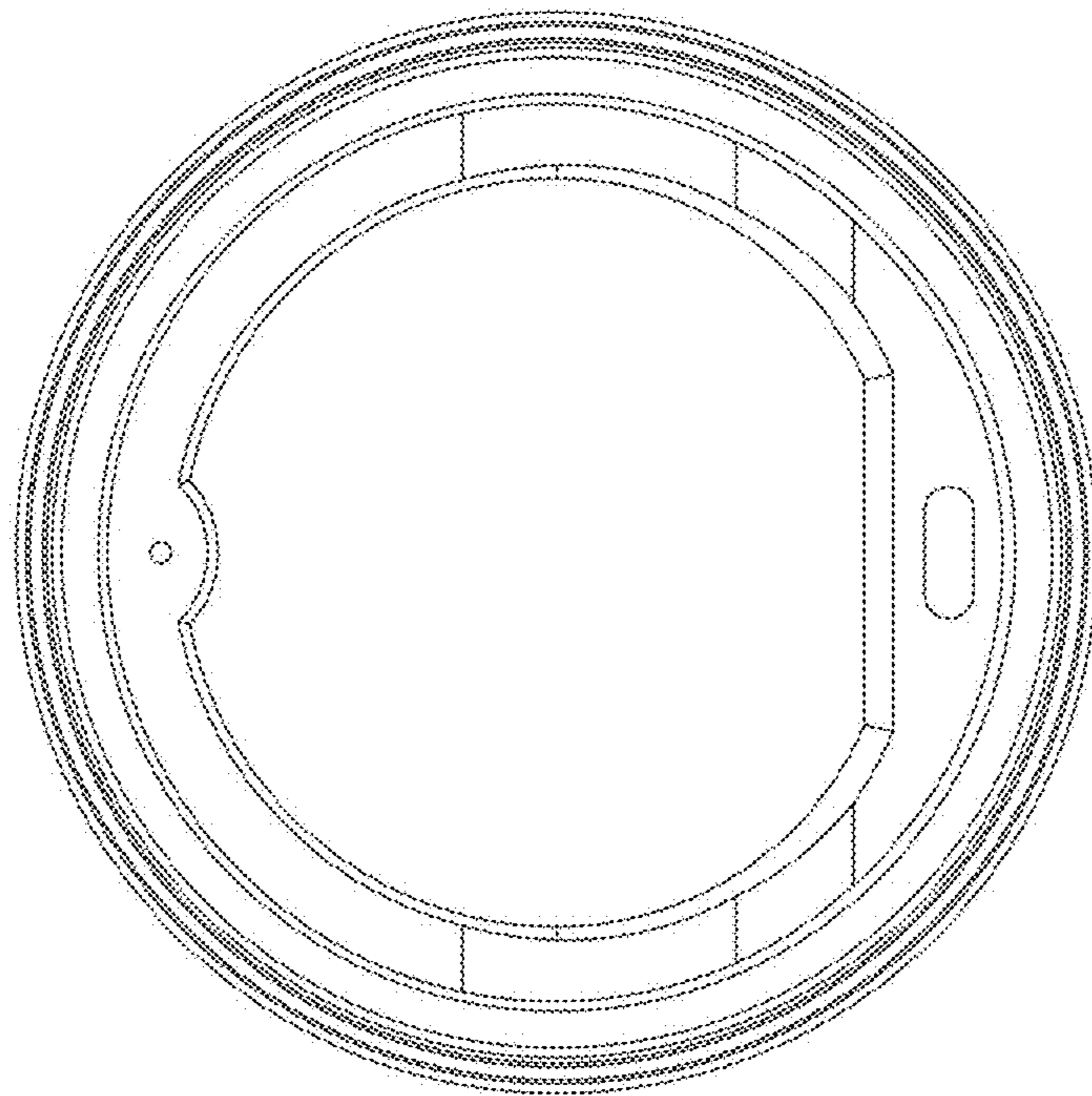


FIG. 2

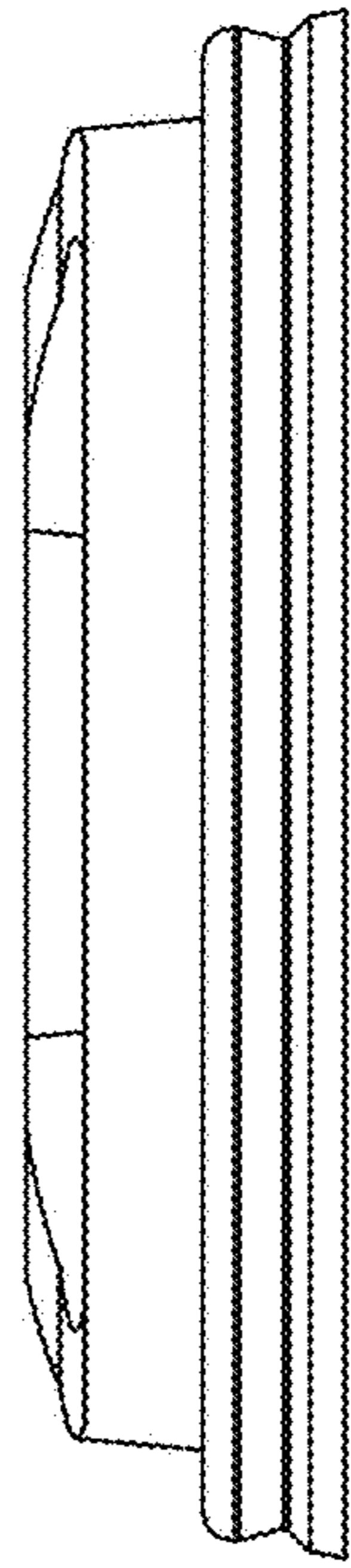


FIG. 3

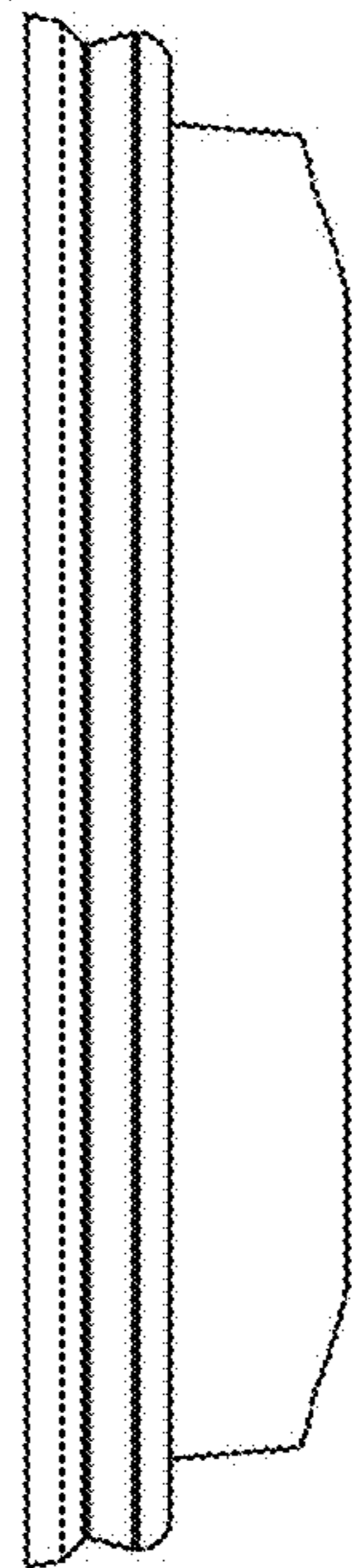


FIG. 4

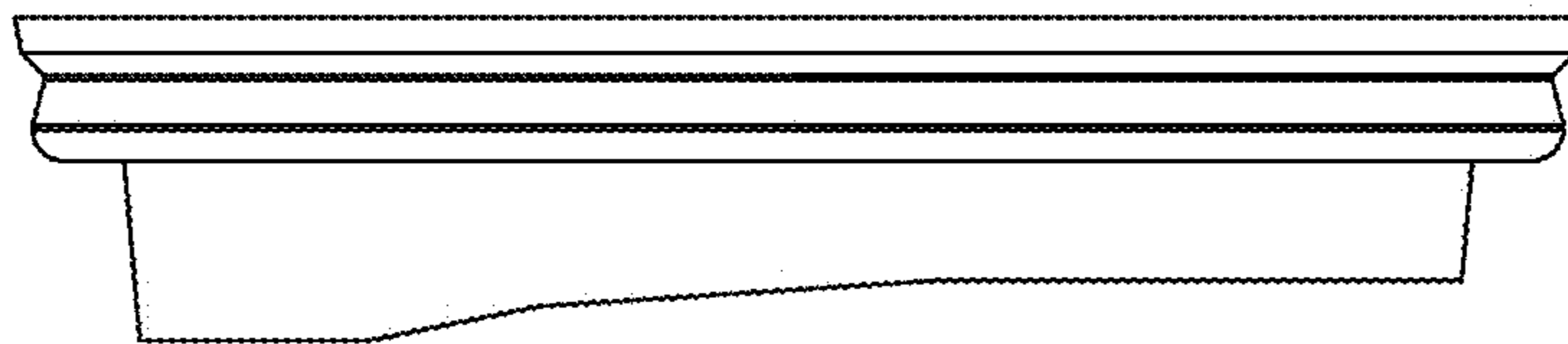


FIG. 5

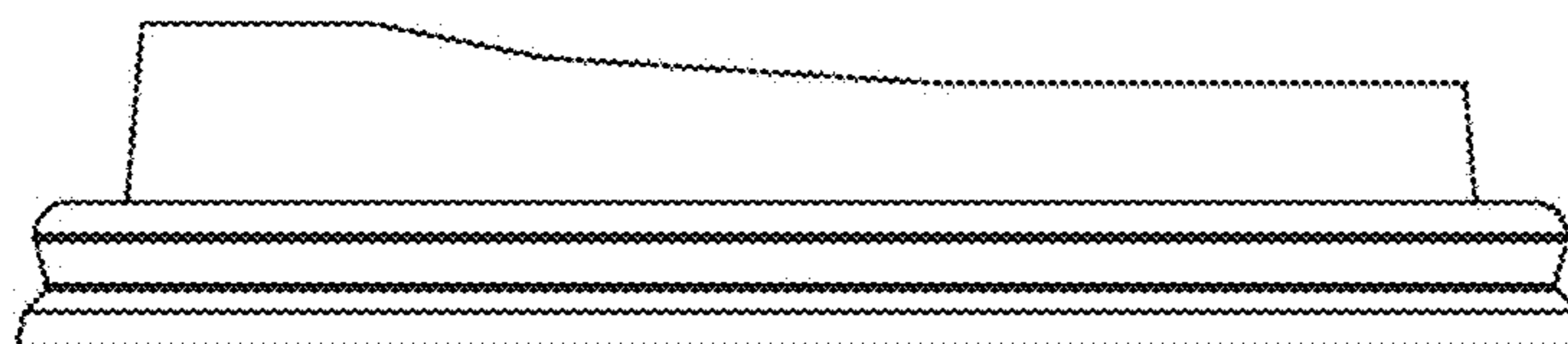


FIG. 6

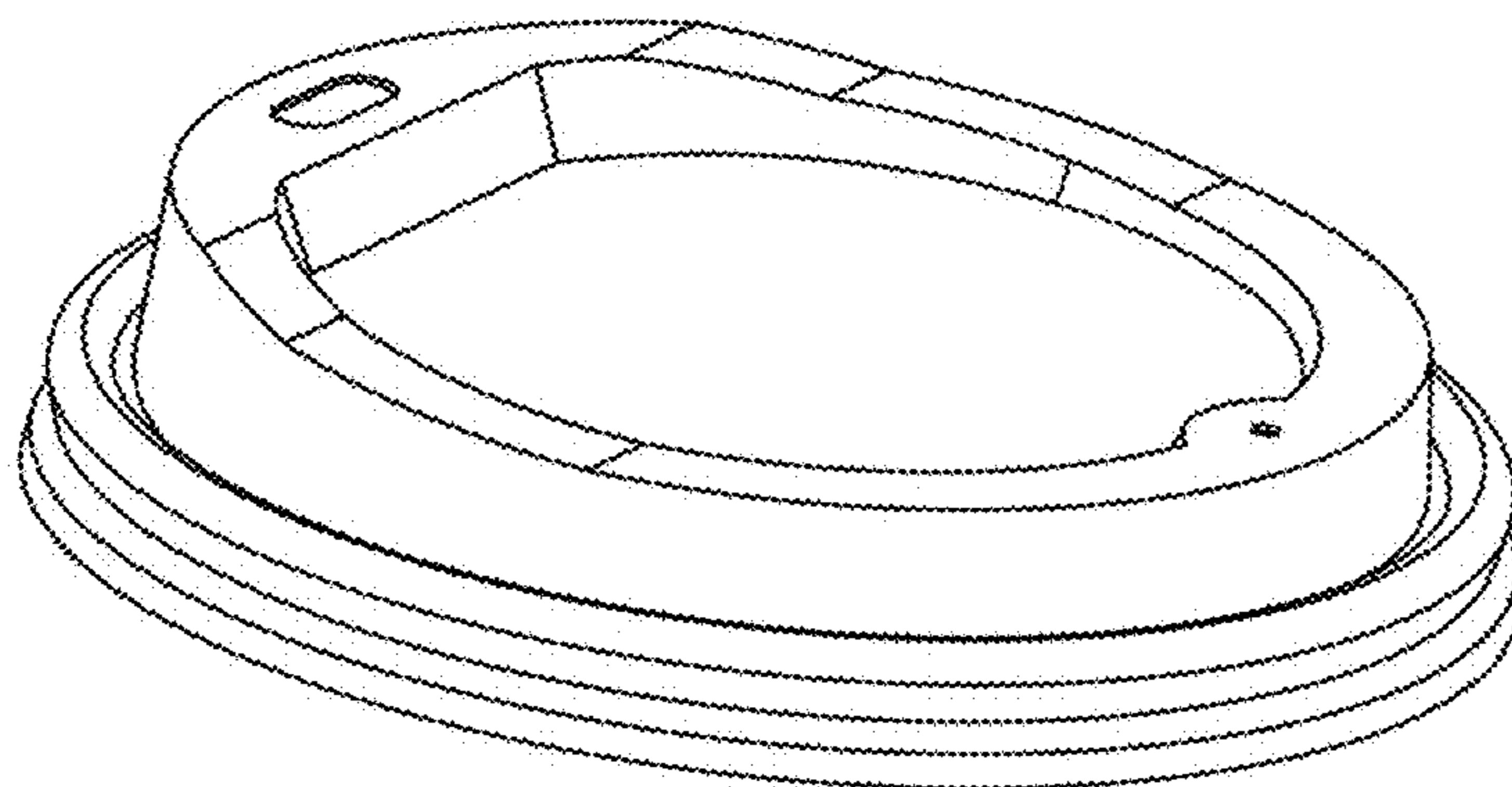


FIG. 7

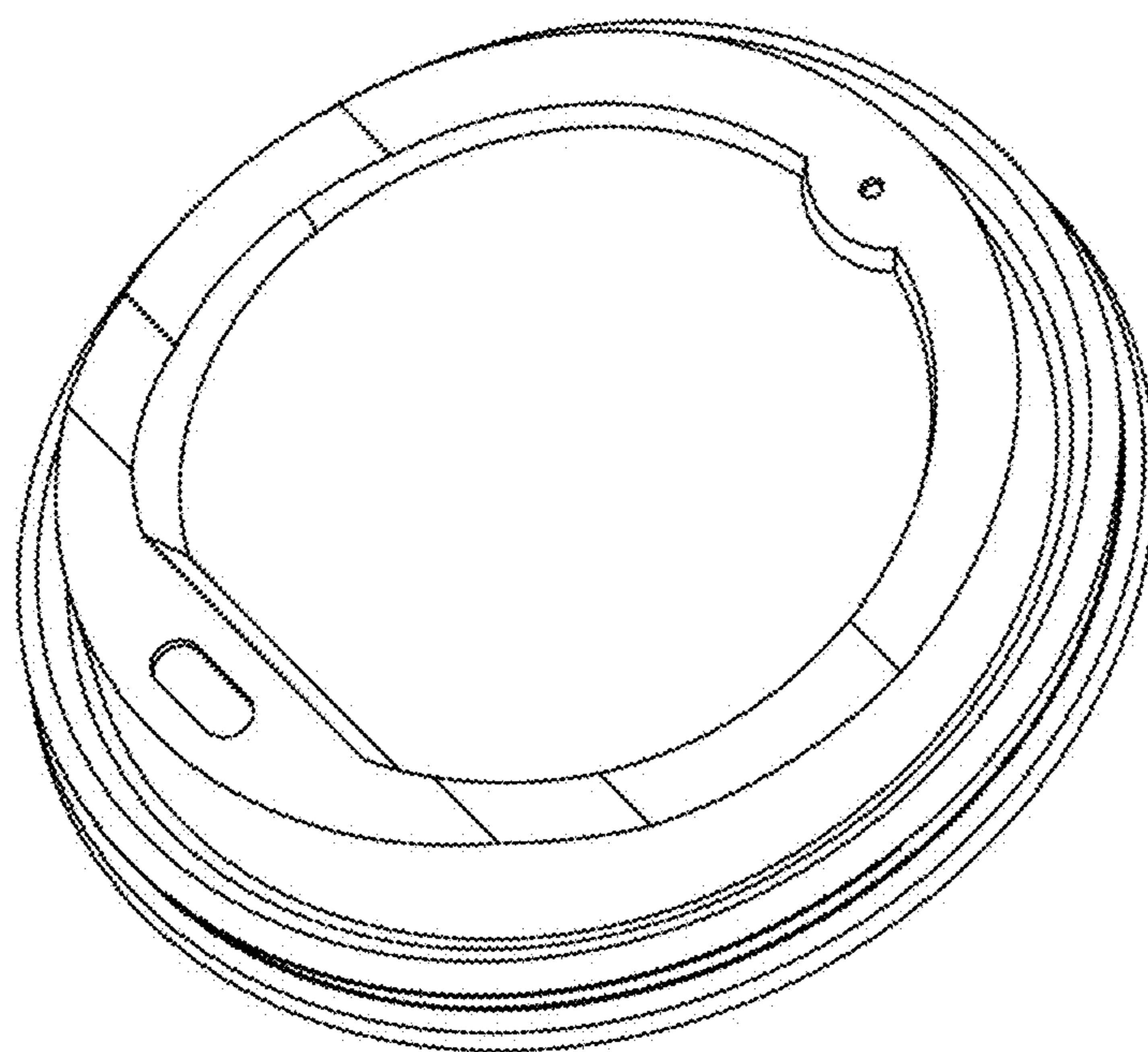


FIG. 8

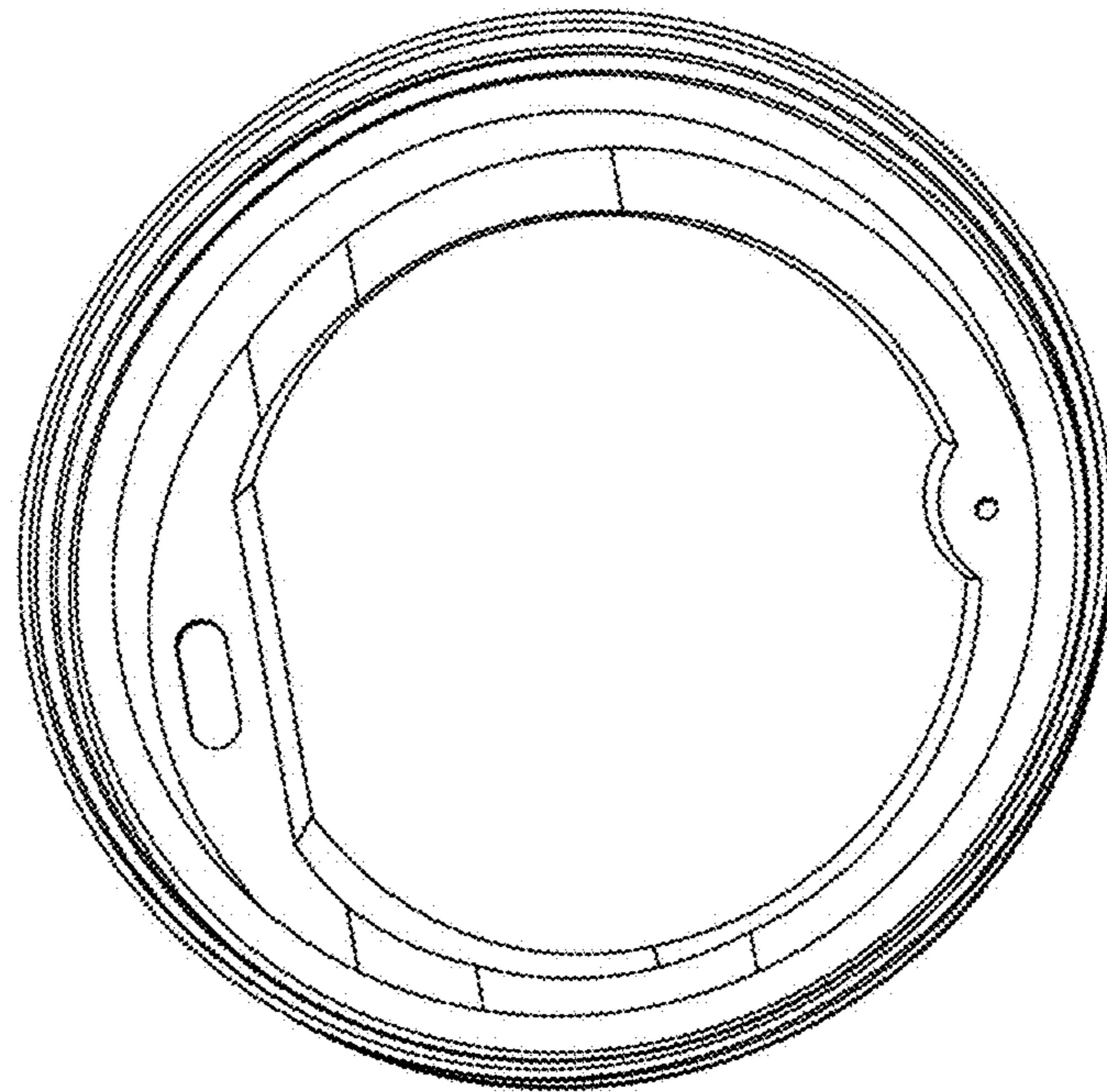


FIG. 9

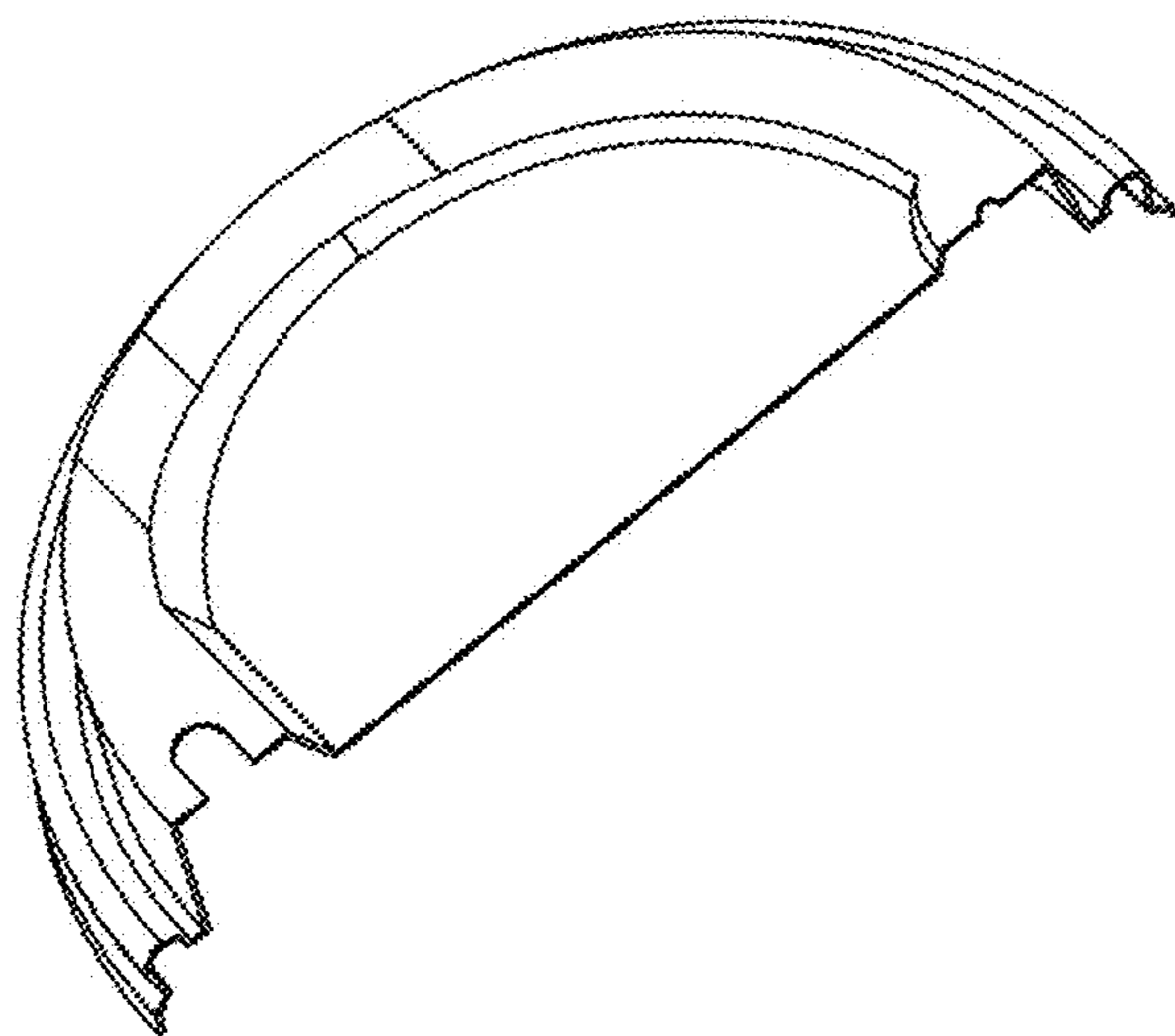


FIG. 10