



US00D815488S

(12) **United States Design Patent**
Dodane et al.

(10) **Patent No.:** **US D815,488 S**
(45) **Date of Patent:** **** Apr. 17, 2018**

(54) **PAN LIFTER**
(71) Applicant: **CRISTEL**, Fesches-le-Chatel (FR)
(72) Inventors: **Paul Dodane**, Fesches-le-Chatel (FR);
Pascal Drouville, Fesches-le-Chatel (FR)
(73) Assignee: **CRISTEL**, Fesches-le-Chatel (FR)
(**) Term: **15 Years**
(21) Appl. No.: **29/581,084**
(22) Filed: **Oct. 15, 2016**

D529,334 S 10/2006 Spagnolo
D542,596 S 5/2007 Spagnolo
D636,632 S * 4/2011 Bergne D7/393
D642,015 S * 7/2011 Rae D7/394
D642,430 S * 8/2011 Verbrugge D7/394
D658,436 S * 5/2012 Rae D7/394
D696,065 S * 12/2013 Rae D7/394
D702,995 S * 4/2014 Dodane D7/393
D745,803 S 12/2015 Dodane
D747,919 S * 1/2016 Dodane D7/393

* cited by examiner

Primary Examiner — Cynthia M Chin
(74) *Attorney, Agent, or Firm* — Andrew W. Chu; Craft Chu PLLC

(30) **Foreign Application Priority Data**
Apr. 15, 2016 (EM) 003070424-0002
(51) **LOC (11) Cl.** **07-02**
(52) **U.S. Cl.**
USPC **D7/393**
(58) **Field of Classification Search**
USPC D7/354–361, 391, 393–395, 396.2, 514,
D7/664; D8/107, 300, 301, 306, 315,
D8/316, 317, 319, 320, 321; D3/318
CPC A47J 45/06; A47J 45/061; A47J 45/62;
A47J 45/08; A47J 45/085; B65D
25/2802; B65D 25/2882; B65D 25/2885;
B65D 25/2888; B65D 25/2894; Y10S
220/912
See application file for complete search history.

(57) **CLAIM**

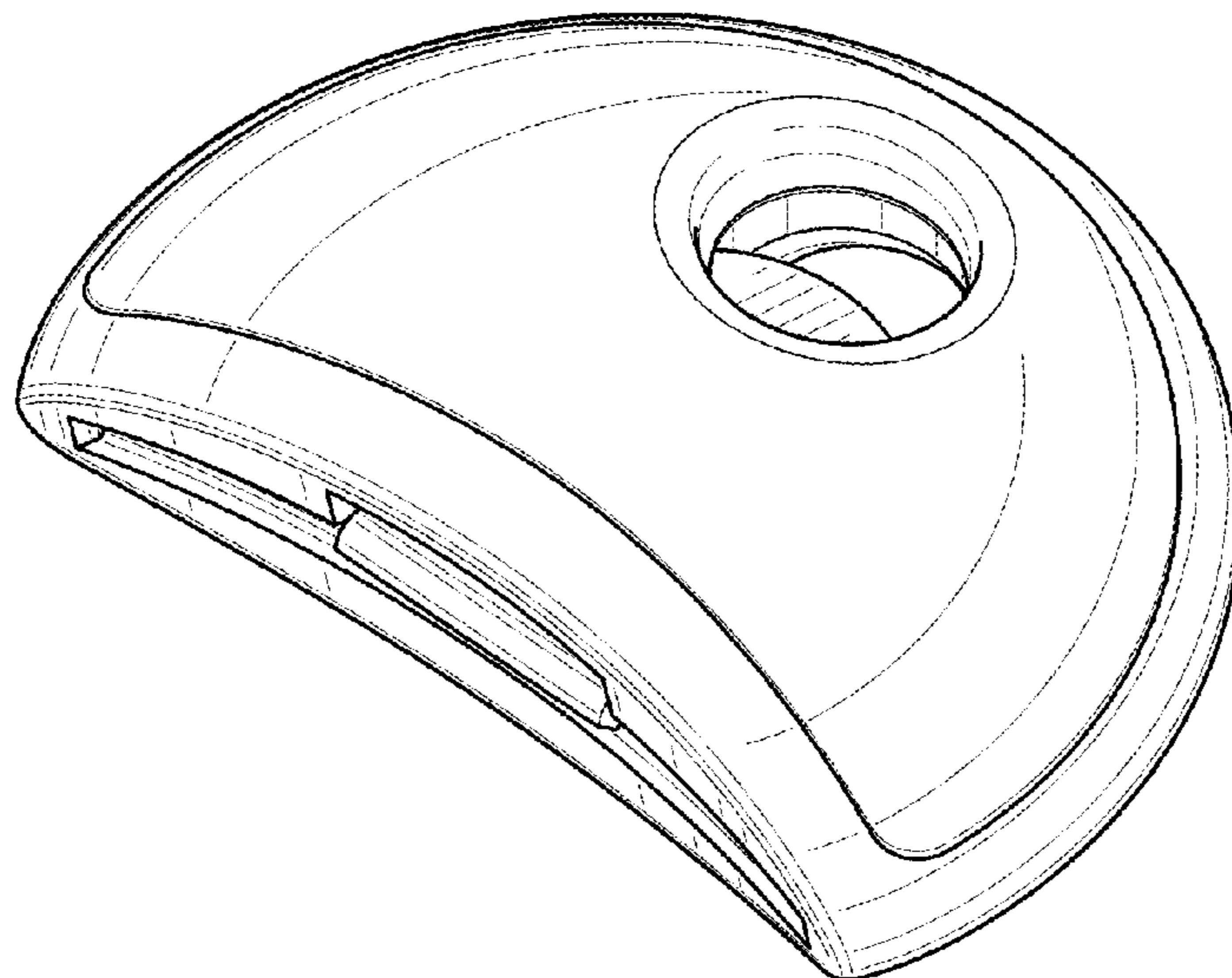
The ornamental design for a pan lifter, as shown and described.

DESCRIPTION

FIG. 1 is an upper perspective view of the pan lifter showing my design;
FIG. 2 is an end elevation view thereof;
FIG. 3 is an opposite end elevation view thereof;
FIG. 4 is a top plan view thereof;
FIG. 5 is a bottom plan view thereof;
FIG. 6 is a side elevation view thereof; and,
FIG. 7 is an opposite side elevation thereof.
The broken line portions are included for the purpose of illustrating environment and forms no part of the claimed design.

(56) **References Cited**
U.S. PATENT DOCUMENTS
D457,385 S * 5/2002 Dodane D7/393
D512,602 S 12/2005 Spagnolo

1 Claim, 2 Drawing Sheets



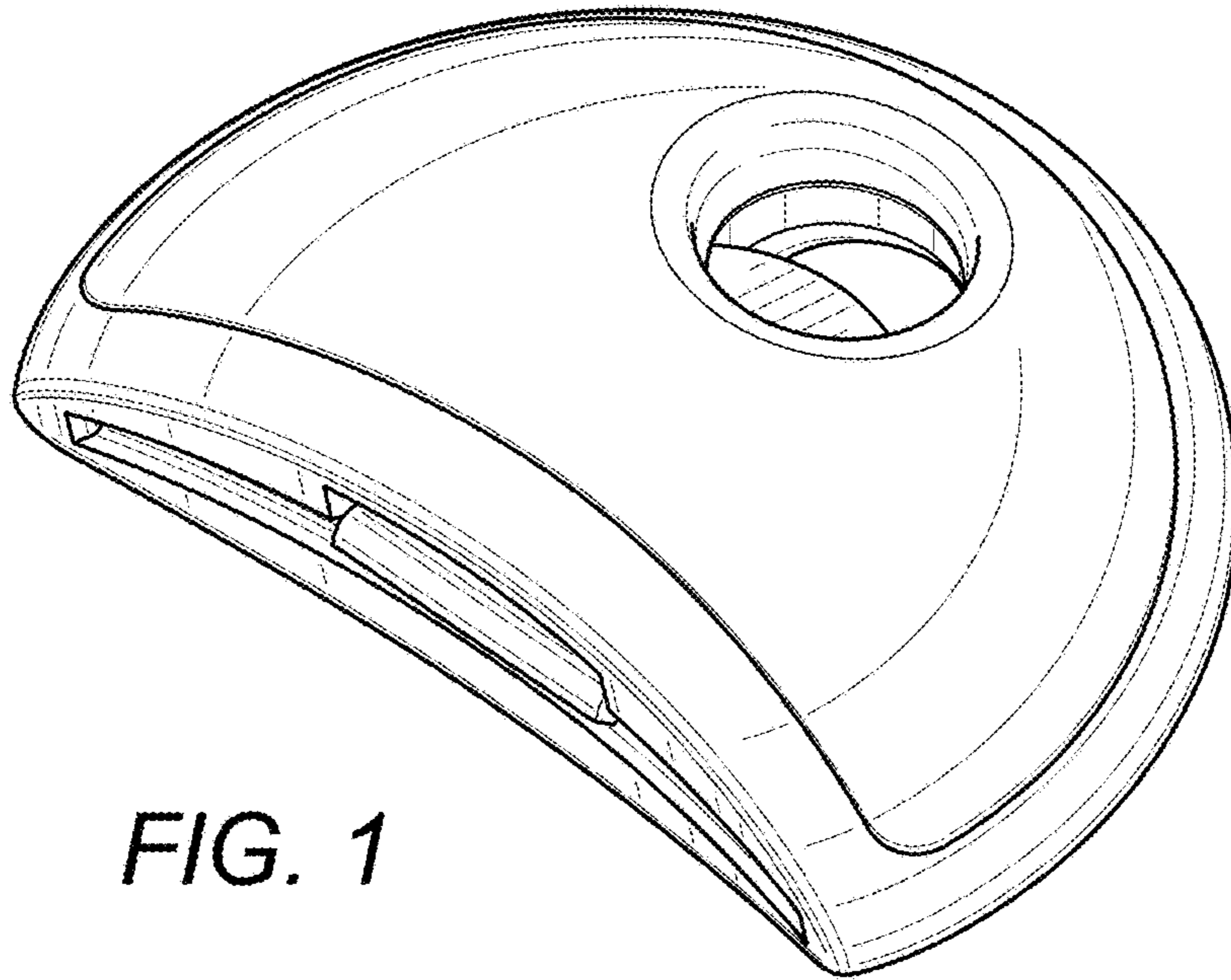


FIG. 1

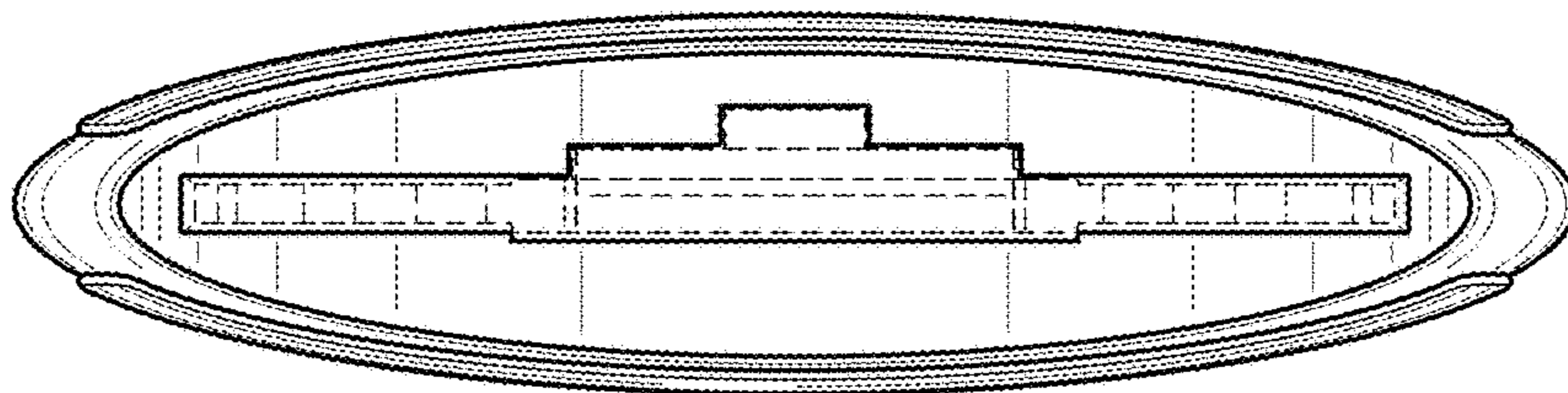


FIG. 2

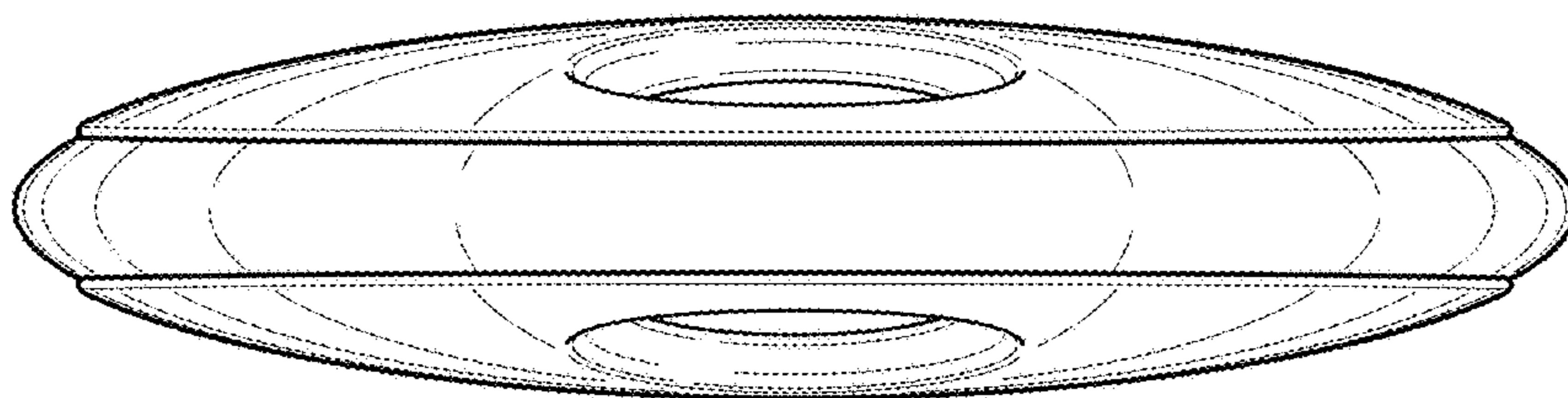


FIG. 3

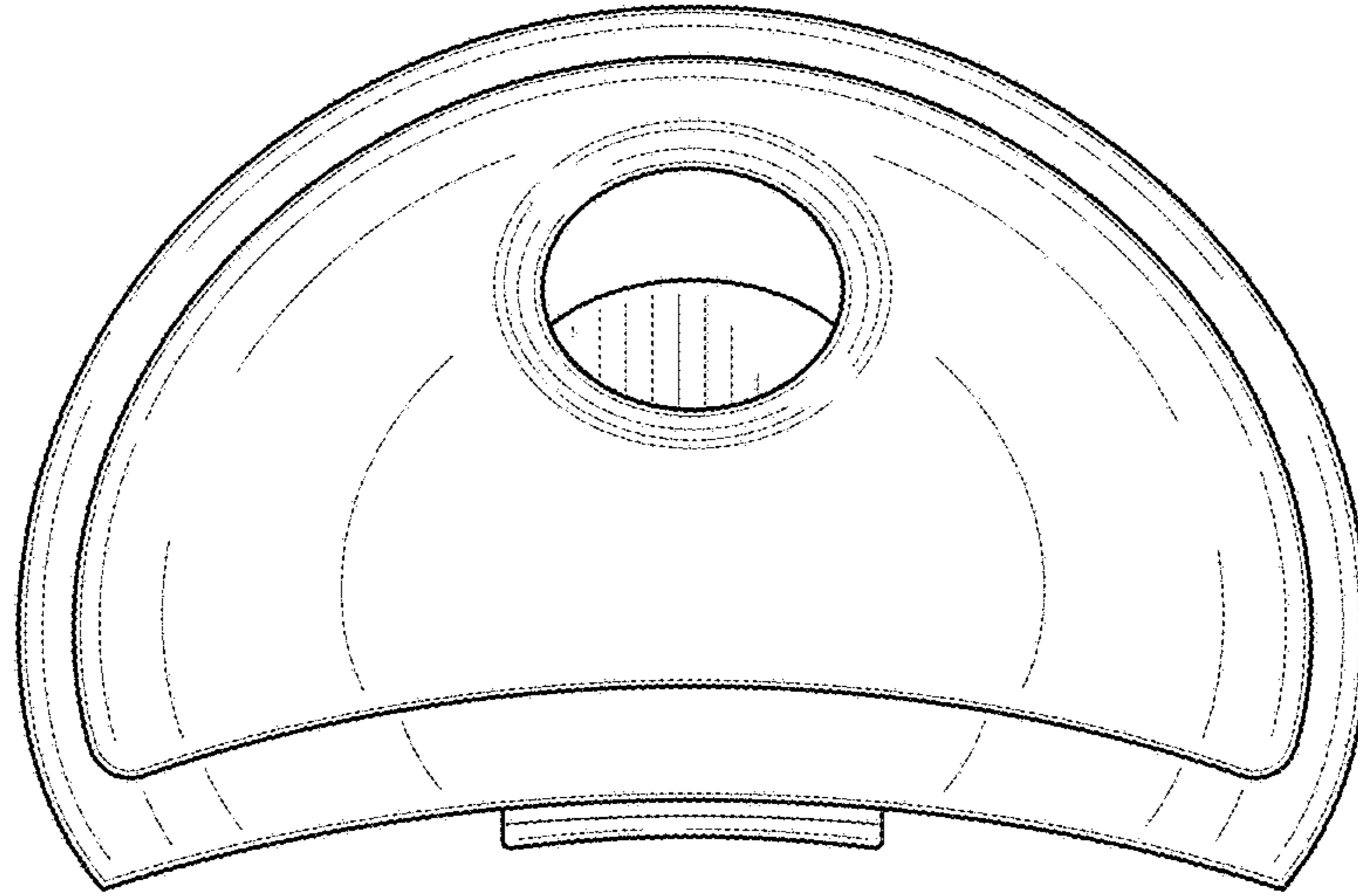


FIG. 4

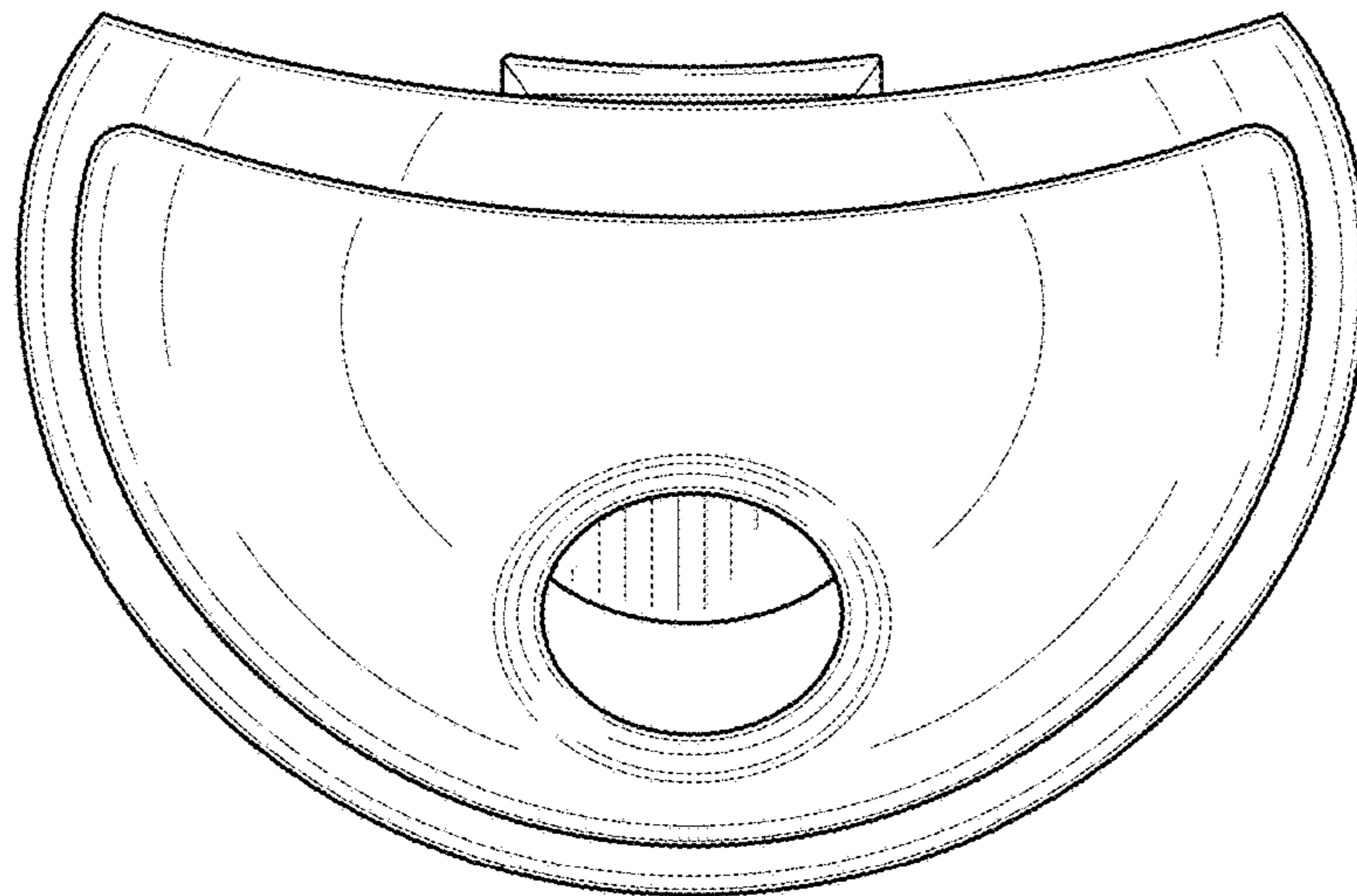


FIG. 5

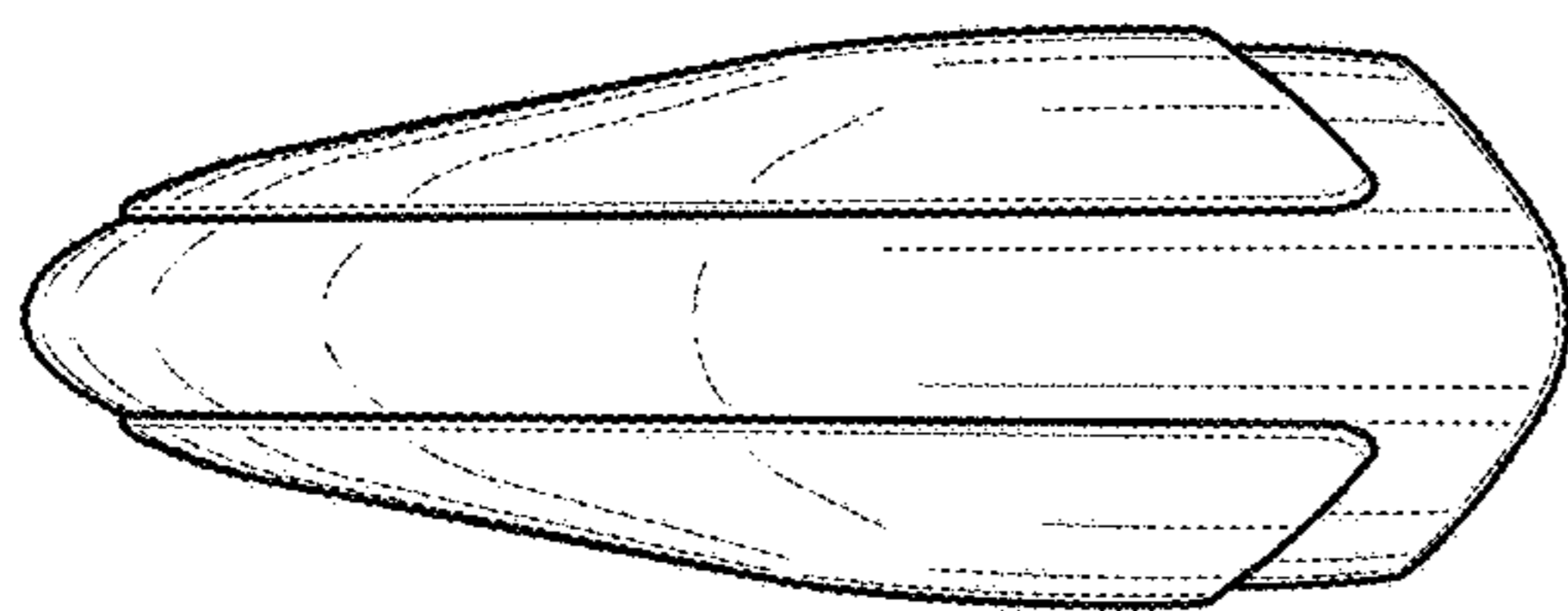


FIG. 6

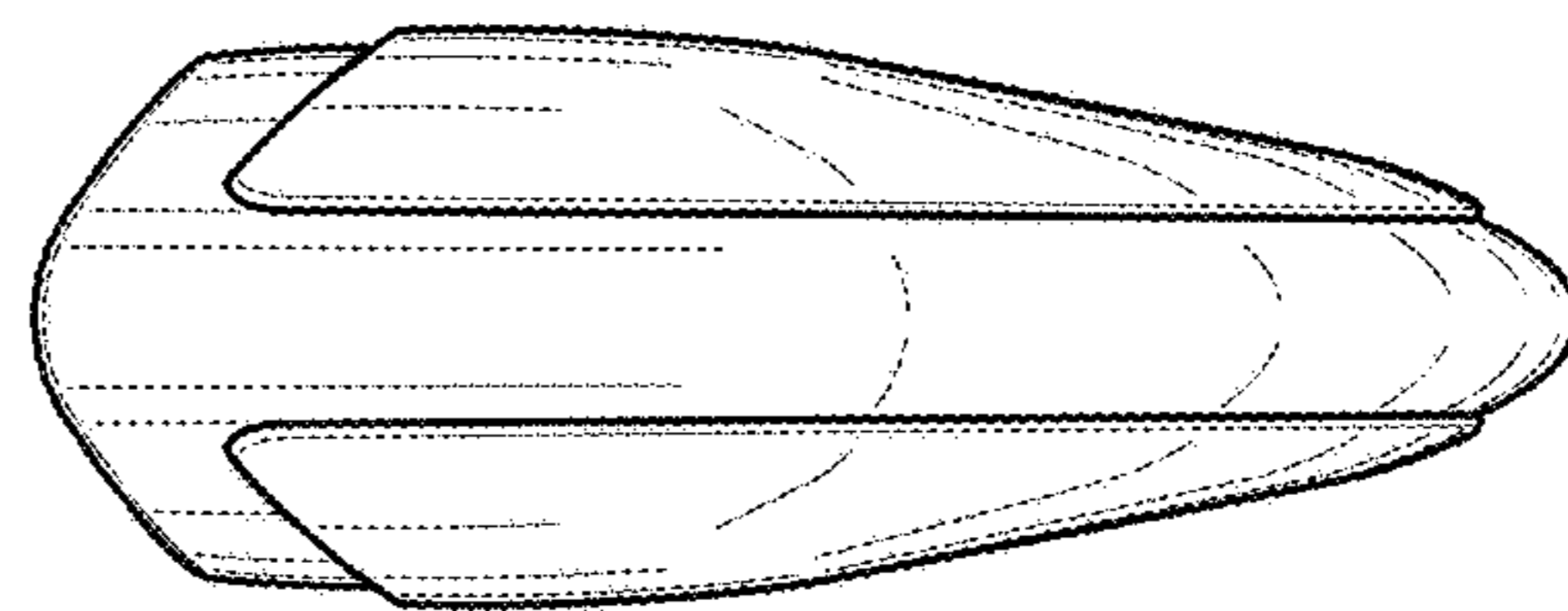


FIG. 7