



US00D815487S

(12) **United States Design Patent**
Chitayat et al.

(10) **Patent No.:** **US D815,487 S**

(45) **Date of Patent:** **** Apr. 17, 2018**

(54) **BEVERAGE LID**

(71) Applicant: **FC Brands Limited**, Central Hong Kong (HK)

(72) Inventors: **David Denny Chitayat**, Shanghai (CN); **Pieter Schouten**, Berkeley, CA (US); **Heather Tomasetti Kauffman**, Larchmont, NY (US); **Tal Chitayat**, New York, NY (US)

(73) Assignee: **FC Brands Limited**, Central Hong Kong, HK (CN)

(**) Term: **15 Years**

(21) Appl. No.: **29/593,598**

(22) Filed: **Feb. 10, 2017**

(51) **LOC (11) Cl.** **07-99**

(52) **U.S. Cl.**
USPC **D7/392.1**; D47/396.2; D9/449

(58) **Field of Classification Search**
USPC D9/428, 429, 434, 435, 442, 443, D9/445-450, 453-456, 499, 682, 684, D9/685, 726; D7/387, 388, 392, 392.1, D7/393, 396.2, 396.3, 396.4, 401.1, 408, D7/504, 507, 509-511, 538, 900; D3/202, 203.2, 318; D28/91.1
CPC .. A61J 1/00; A61J 1/1412; B65D 1/00; B65D 1/02; B65D 1/10; B65D 1/46; B65D 2585/56; B65D 2585/545; B65D 41/00; B65D 41/38; B65D 41/56; B65D 41/62; B65D 47/00; B65D 47/06; B65D 47/08; B65D 2543/00046; B65D 2543/00092; B65D 2543/00296; B65D 5/46; B65D 2251/00

See application file for complete search history.

(56) **References Cited**

U.S. PATENT DOCUMENTS

D363,666 S * 10/1995 Goto D7/900
D485,759 S * 1/2004 Janky D7/392.1

D500,428 S * 1/2005 Ward D7/392.1
D552,926 S * 10/2007 Yelland D7/392.1
D644,060 S * 8/2011 Komeiji D7/392.1
D655,570 S * 3/2012 Meehan D7/510

(Continued)

Primary Examiner — Michael A. Pratt

Assistant Examiner — Wendy L Arminio

(74) *Attorney, Agent, or Firm* — Pierce Atwood LLP

(57) **CLAIM**

The ornamental design for a beverage lid, as shown and described.

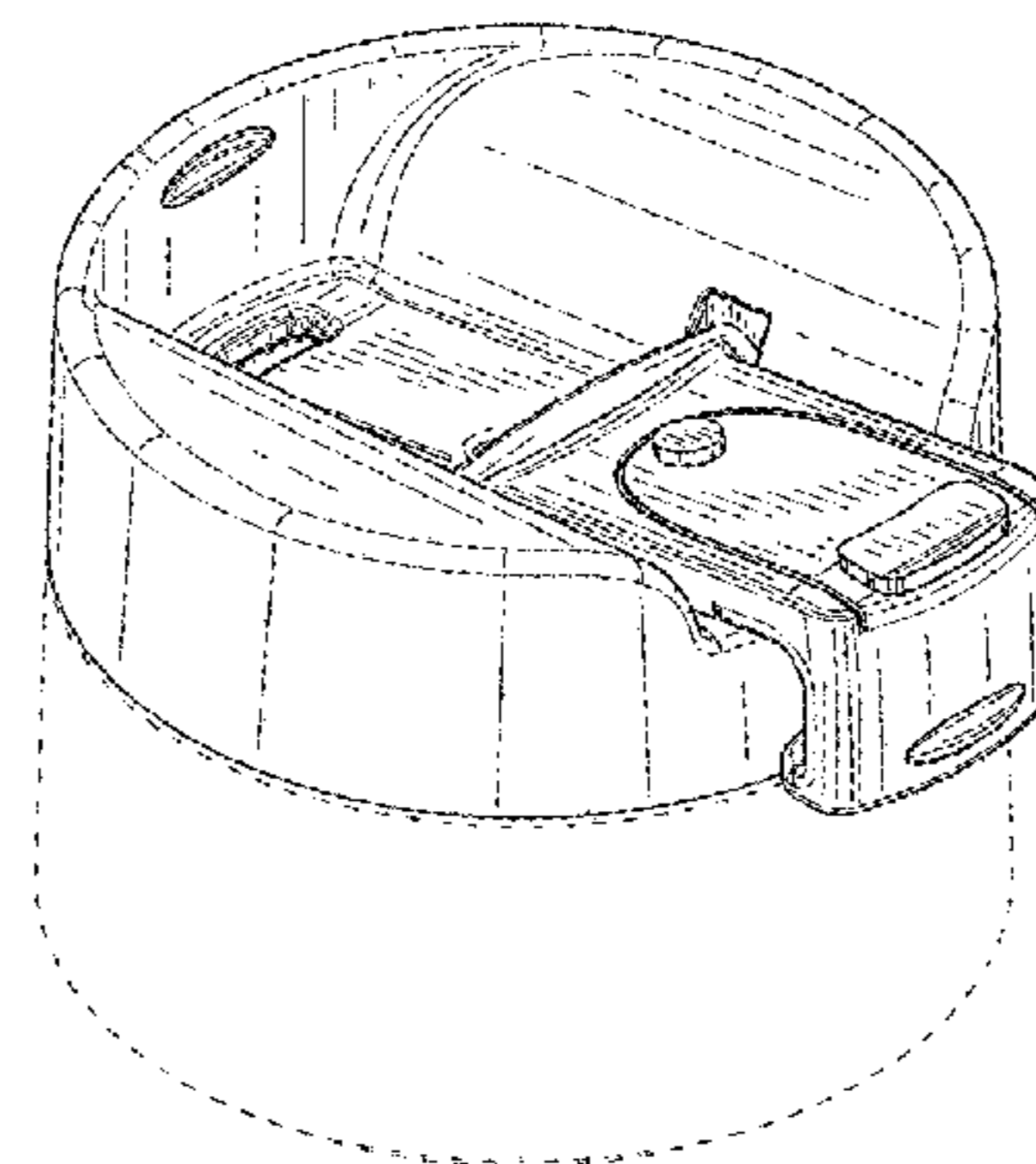
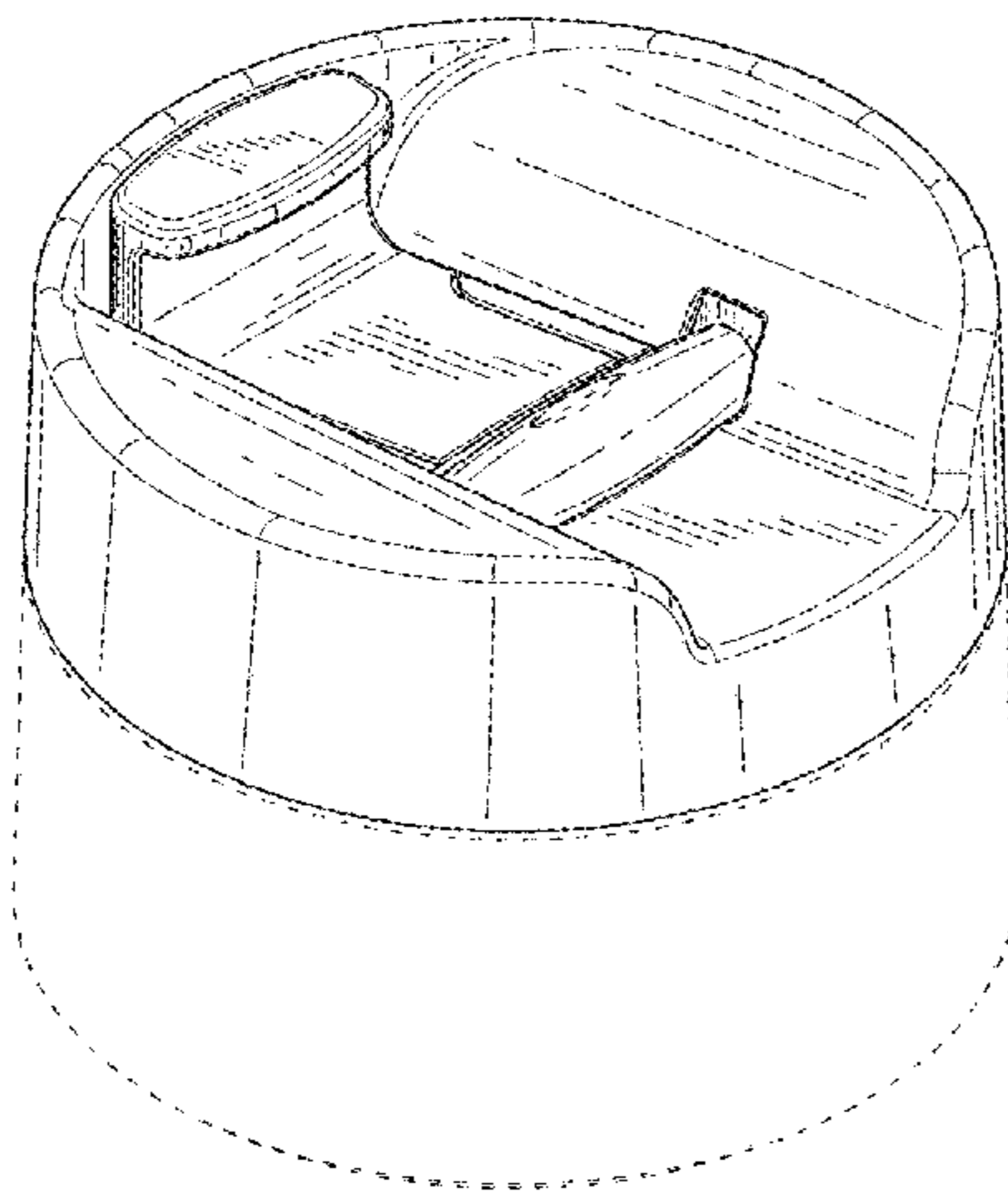
DESCRIPTION

FIG. 1 is a top perspective view of a beverage lid showing the design in a closed position;
FIG. 2 is a right elevation view thereof;
FIG. 3 is a left elevation view thereof;
FIG. 4 is a rear elevation view thereof;
FIG. 5 is a front elevation view thereof;
FIG. 6 is a top plan view thereof;
FIG. 7 is a top perspective view thereof; shown in an open position;
FIG. 8 is a right elevation view thereof, shown in the open position;
FIG. 9 is a left elevation view thereof, shown in the open position;
FIG. 10 is a rear elevation view thereof, shown in the open position;
FIG. 11 is a front elevation view thereof, shown in the open position; and,
FIG. 12 is a top plan view thereof, shown in the open position.

The bottom plan views have been omitted as they do not form a portion of the claimed design.

Broken lines in the drawings are for the purpose of illustrating environmental structure and form no part of the claimed design.

1 Claim, 12 Drawing Sheets



(56)

References Cited

U.S. PATENT DOCUMENTS

D691,416 S * 10/2013 Eyal D7/396.2
D692,756 S * 11/2013 McClellan D9/447
D721,540 S * 1/2015 Grcic D7/511
D761,618 S * 7/2016 Lapsker D7/392.1
D764,869 S * 8/2016 Smrtnik D7/507
2006/0043091 A1* 3/2006 Pinelli A47G 19/2272
220/254.3
2012/0125931 A1* 5/2012 Roth A47G 19/22
220/254.3

* cited by examiner

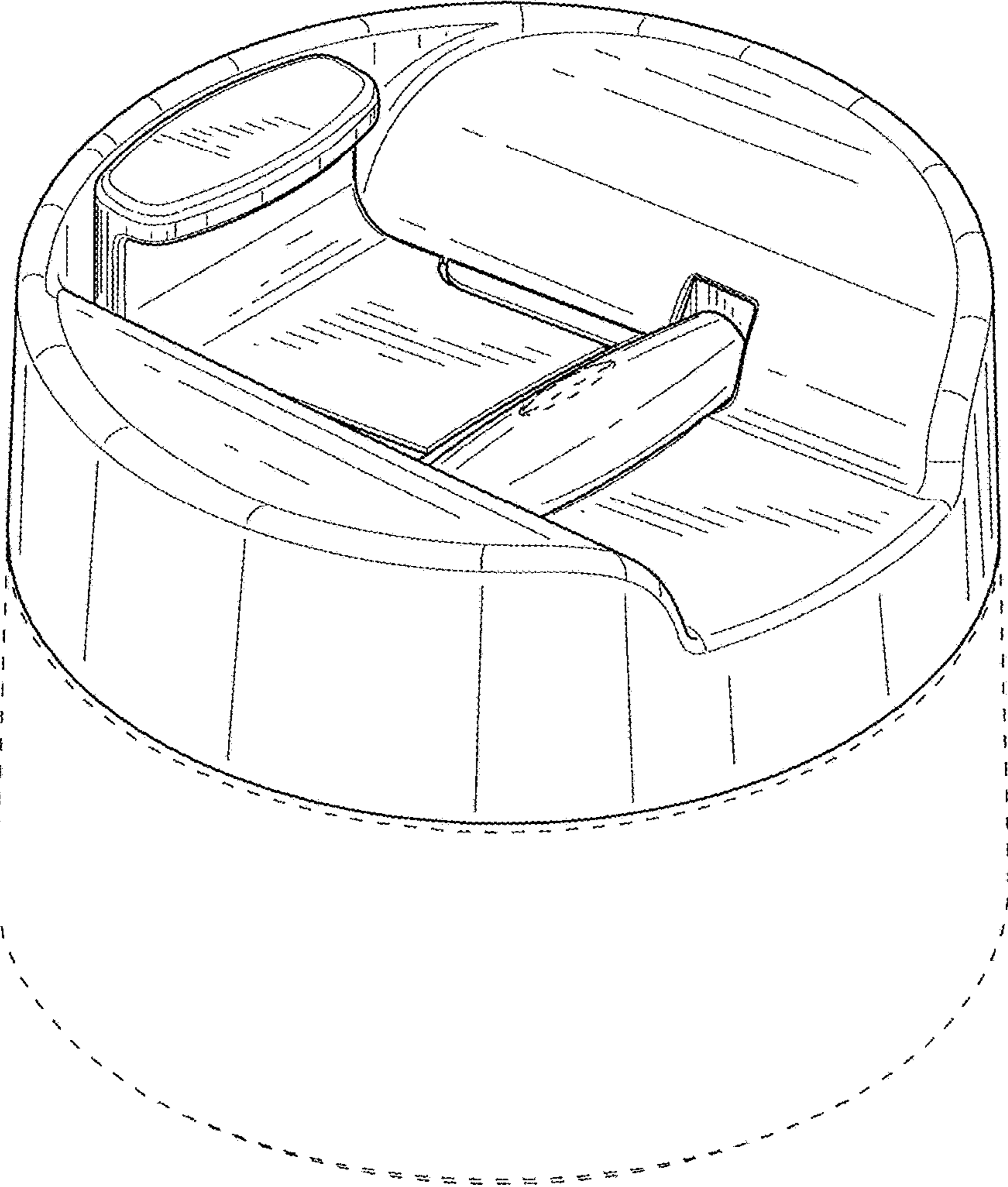


FIG. 1

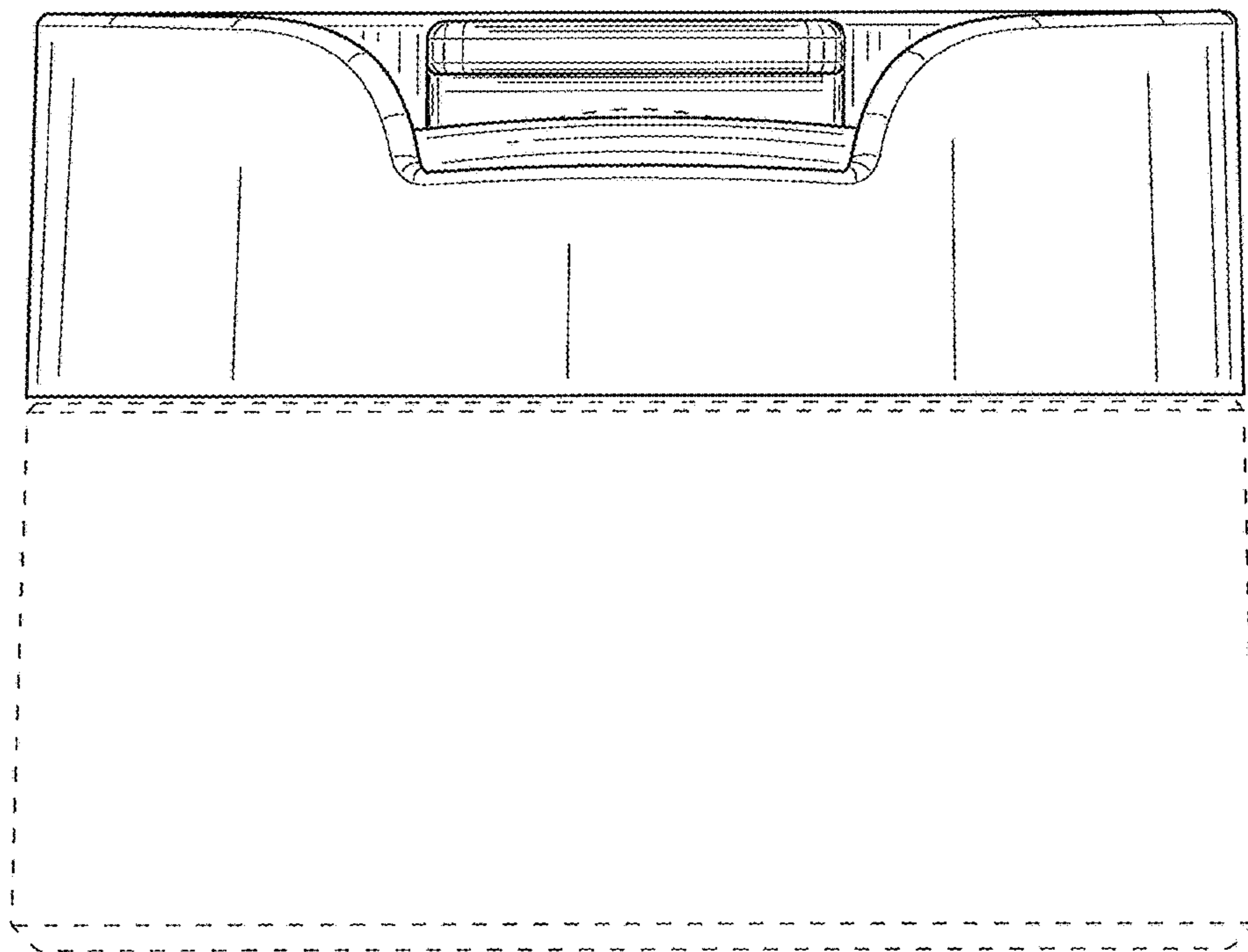


FIG. 2

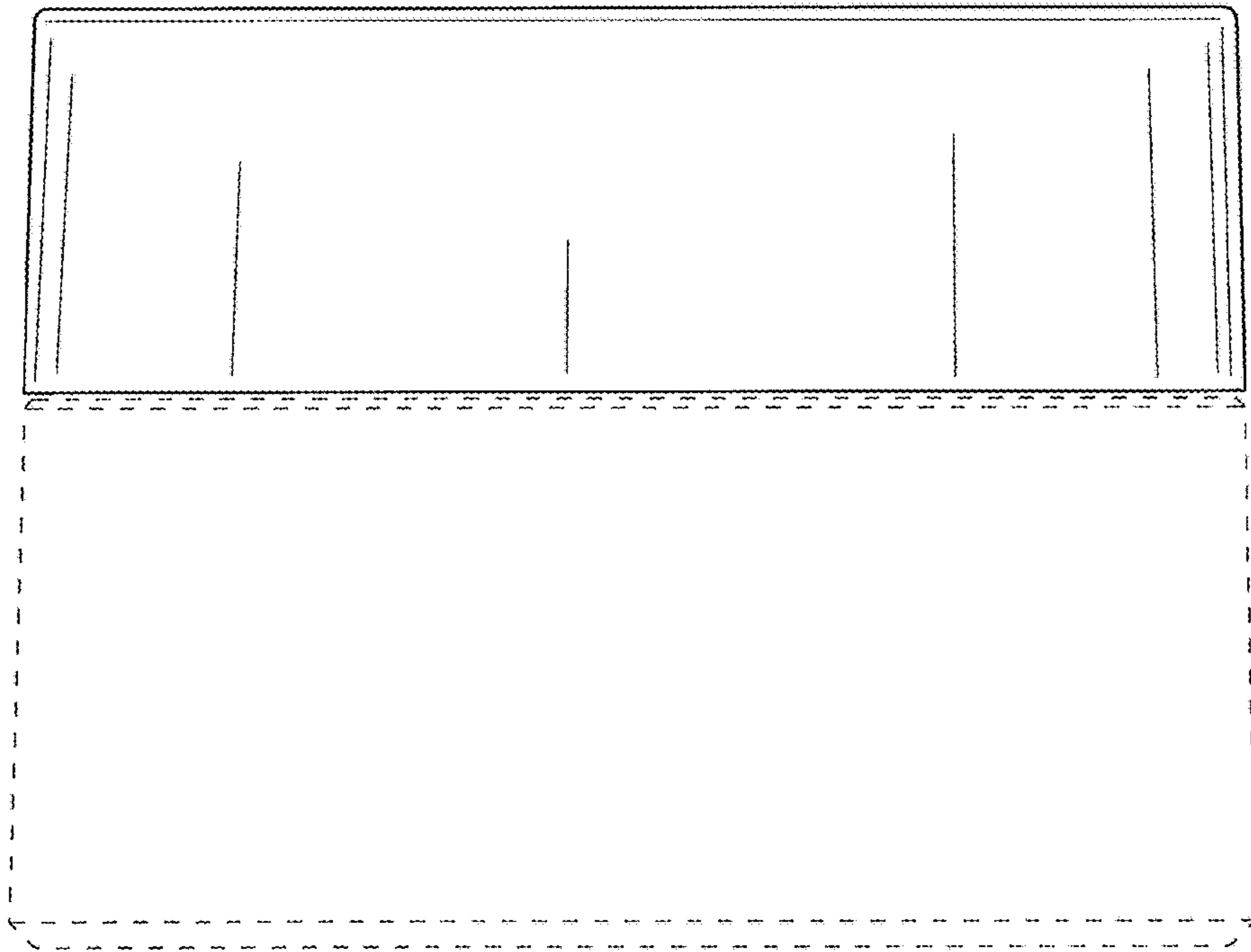


FIG. 3

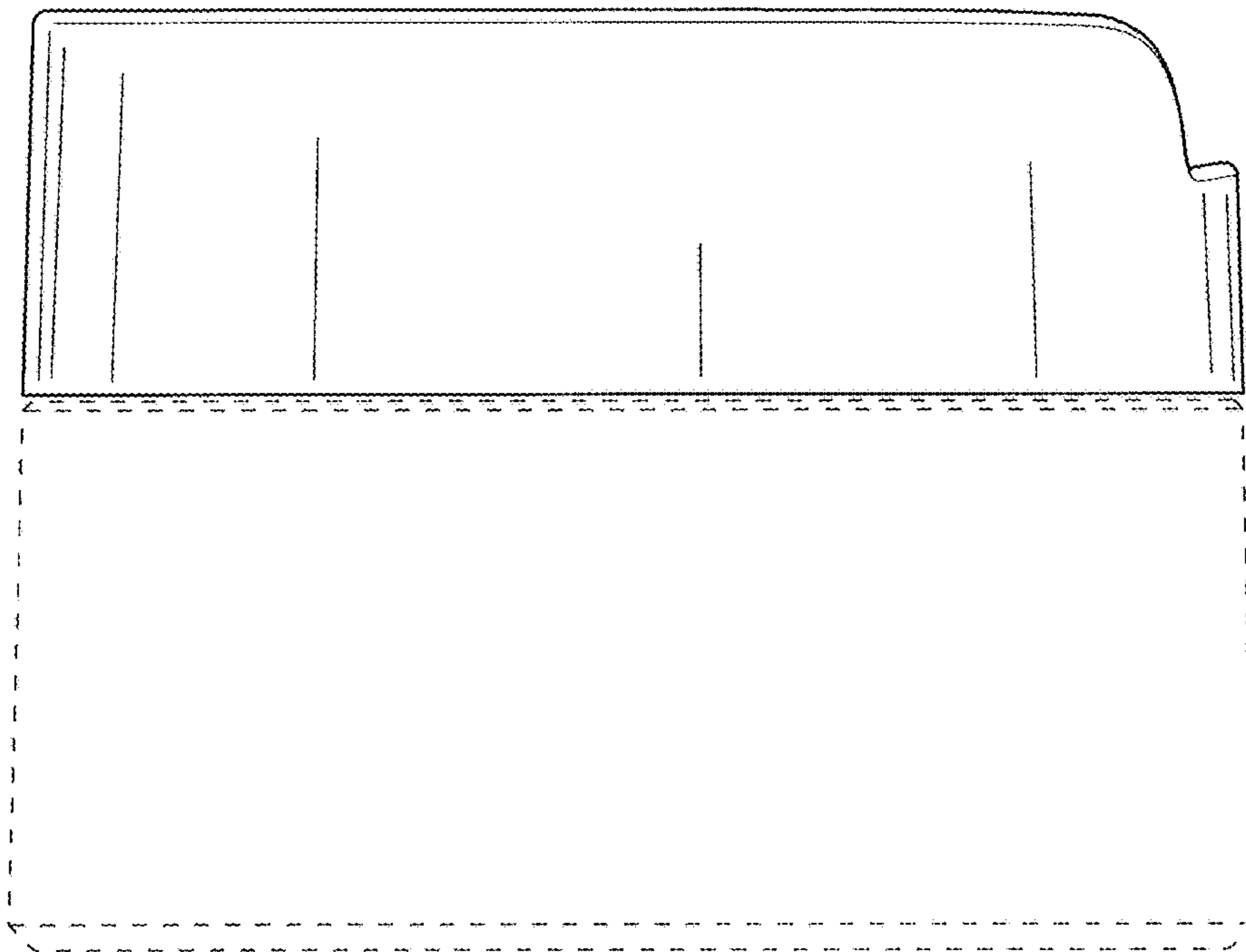


FIG. 4

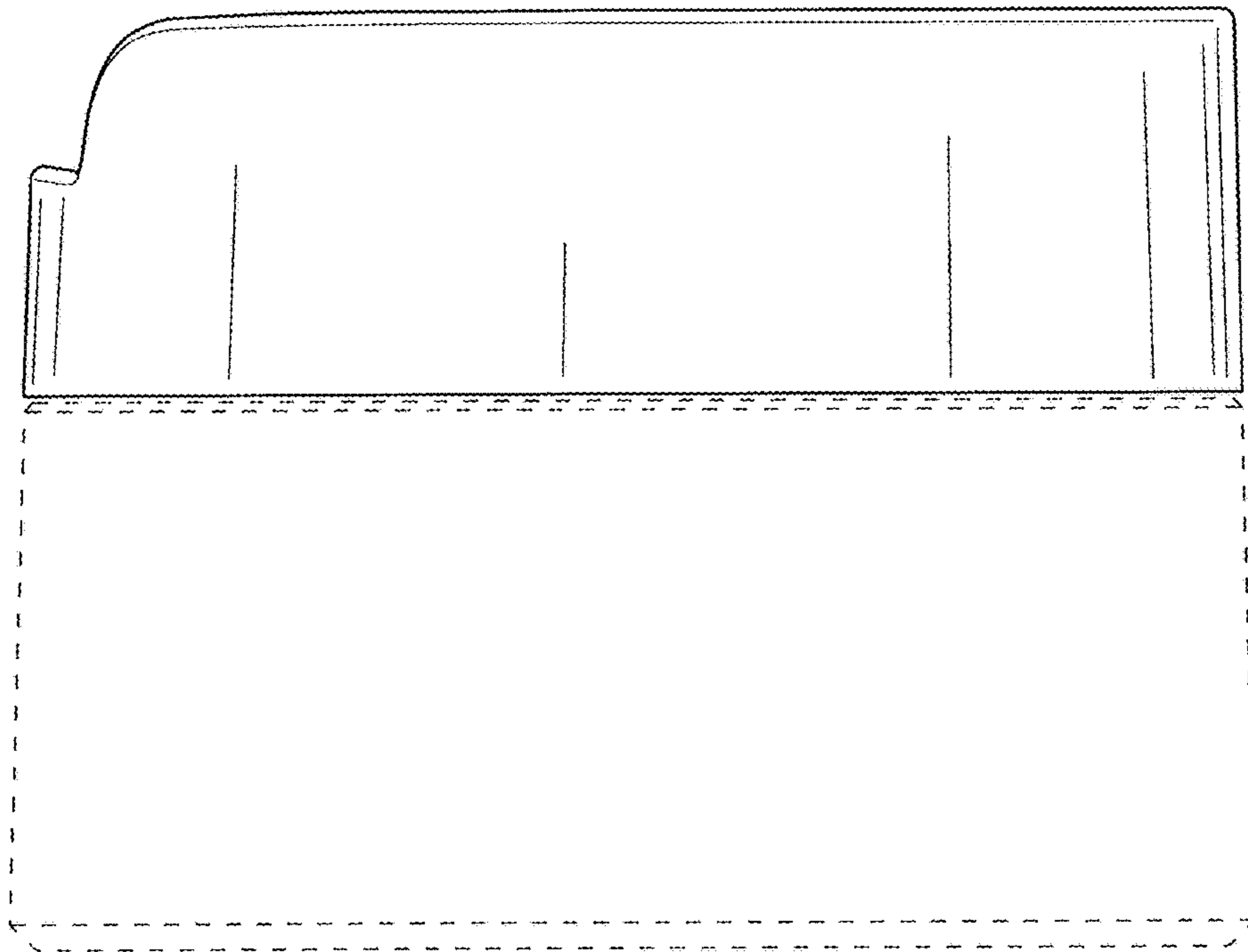


FIG. 5

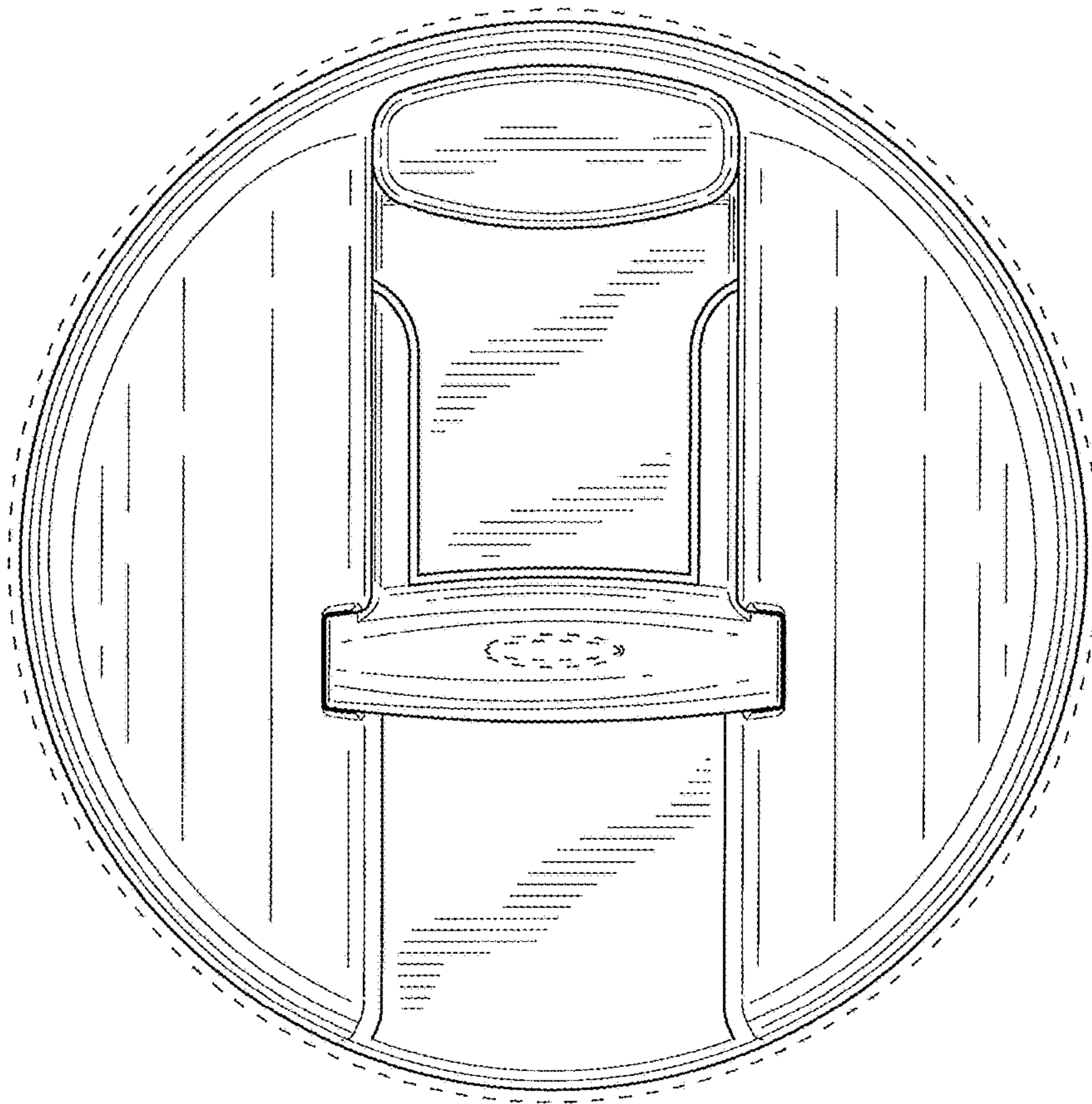


FIG. 6

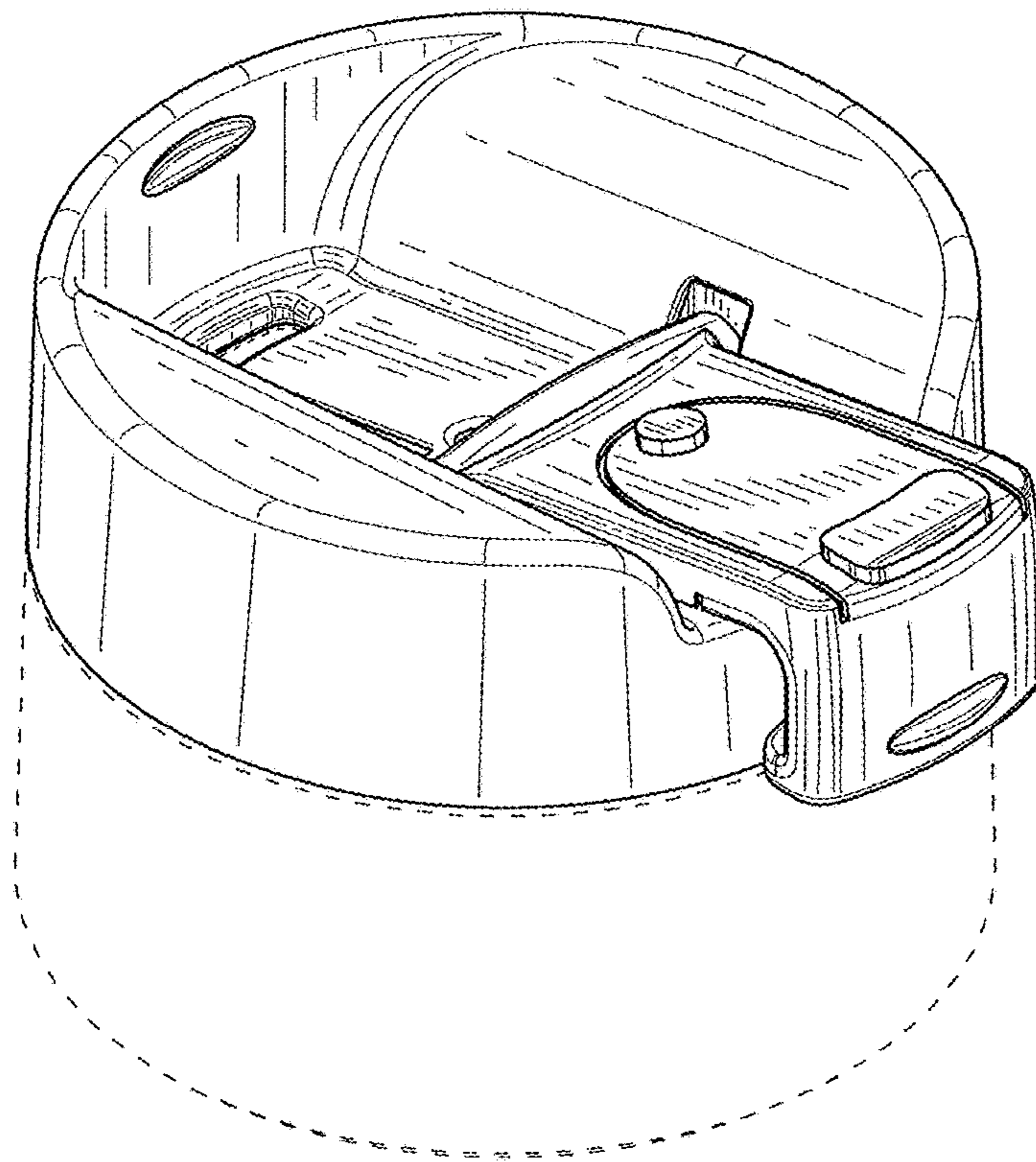


FIG. 7

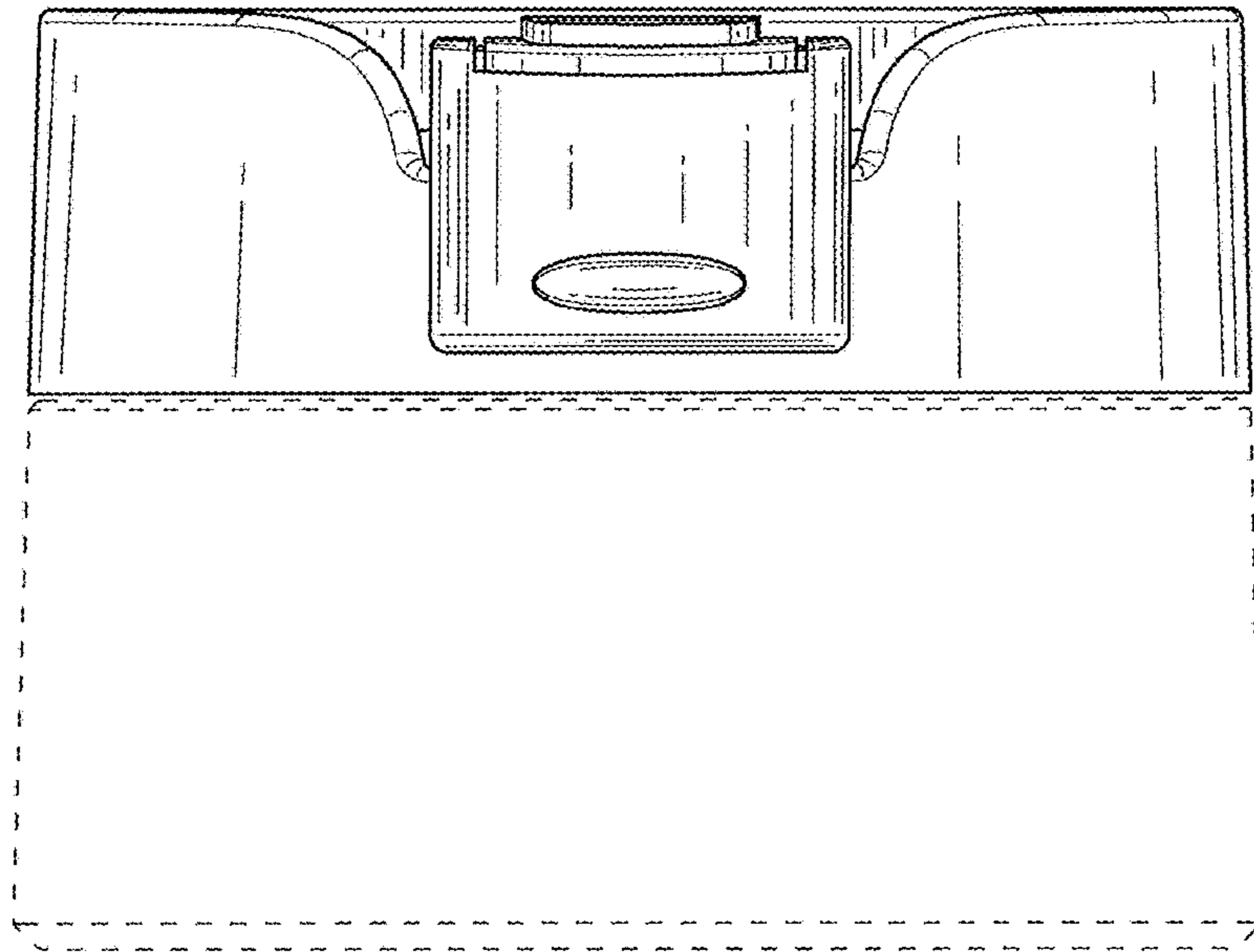


FIG. 8

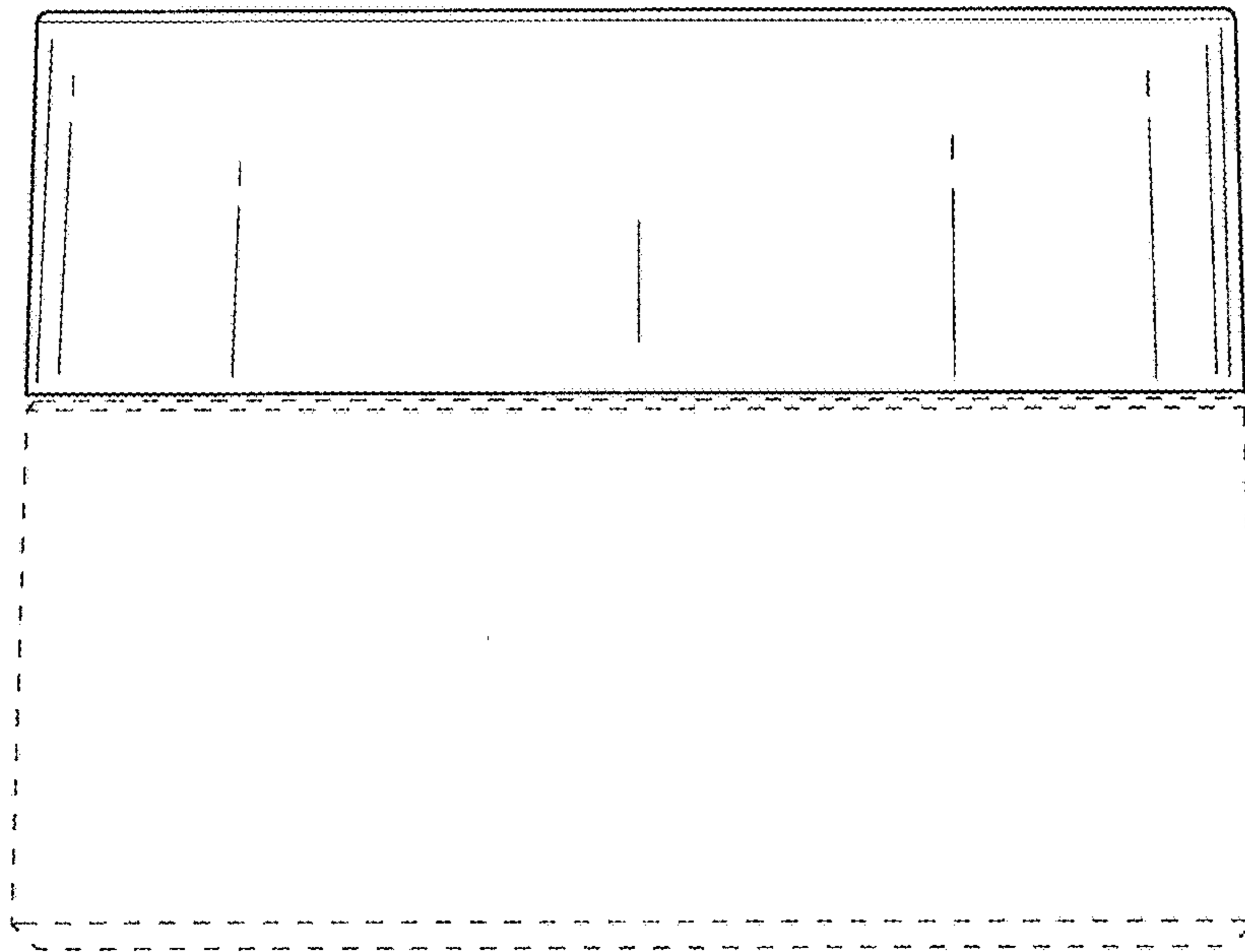


FIG. 9

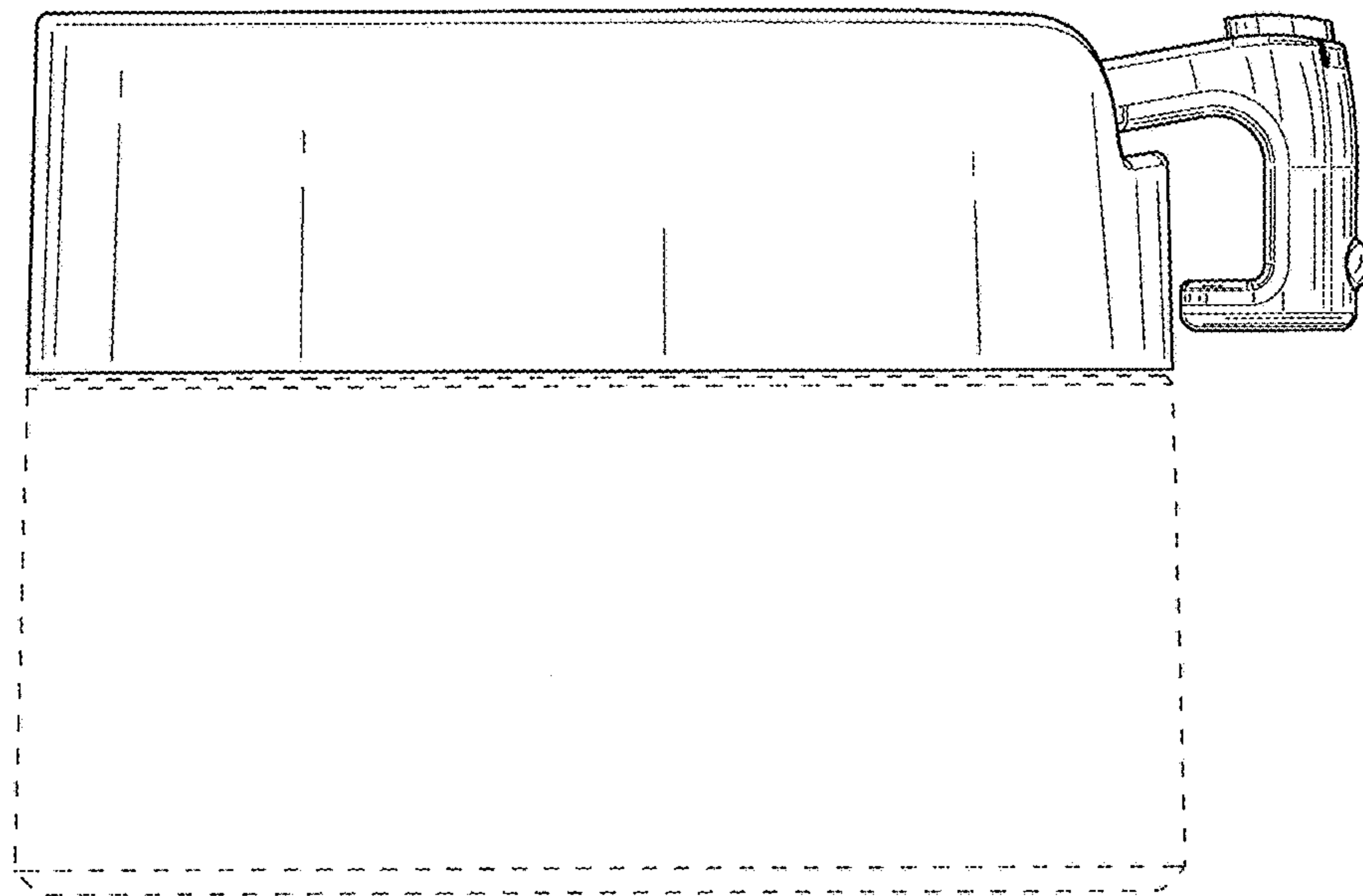


FIG. 10

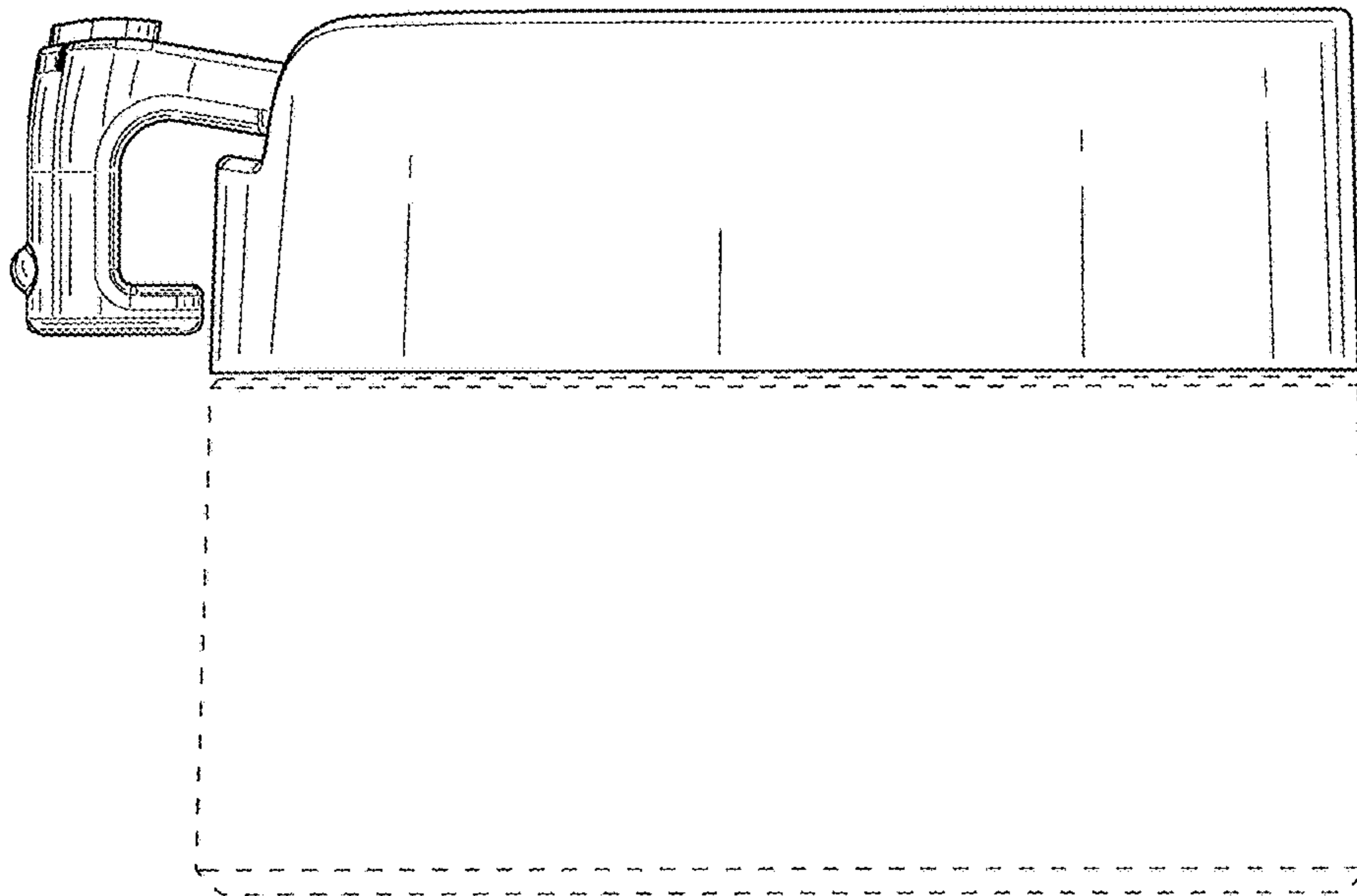


FIG. 11

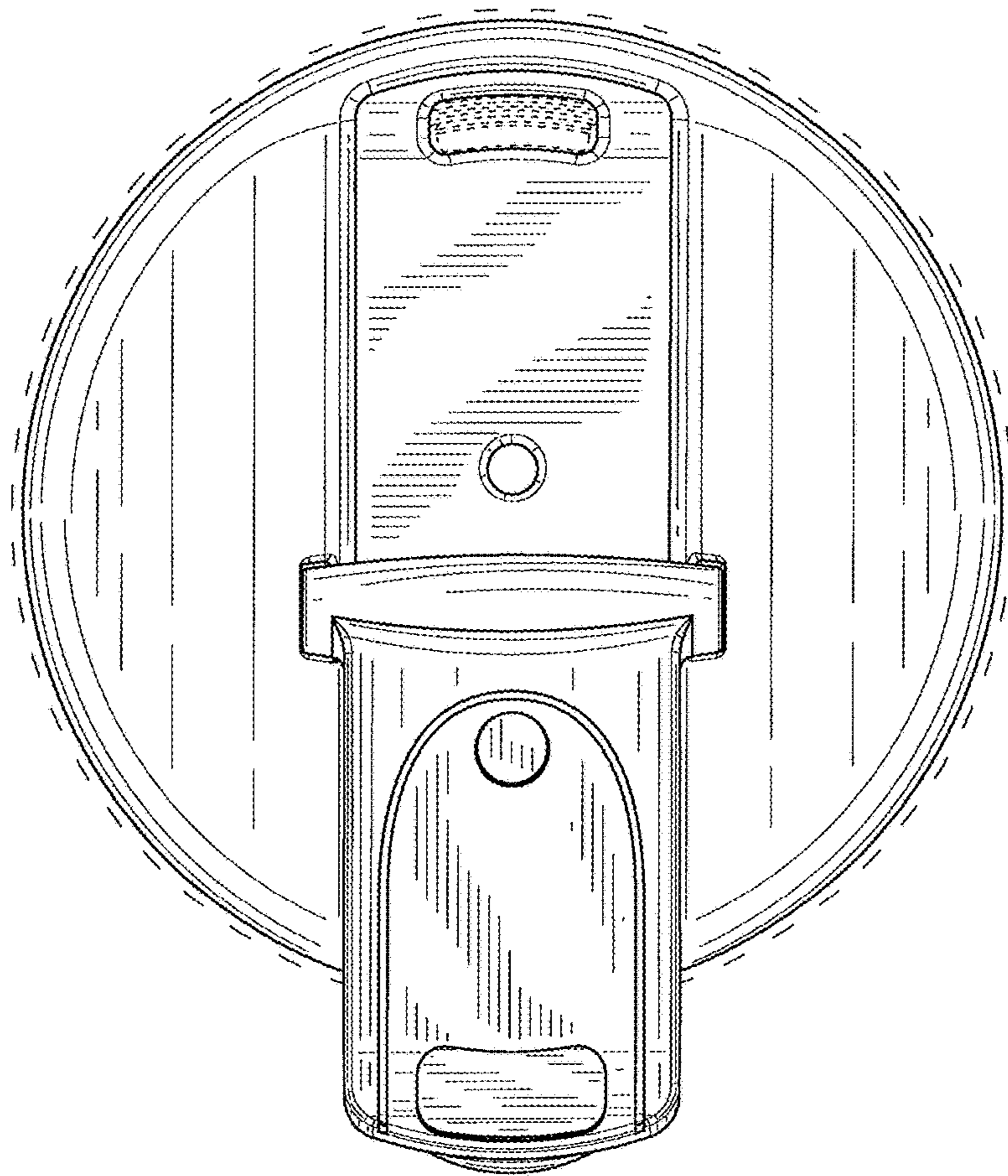


FIG. 12