

US00D815484S

(12) **United States Design Patent**
Wenzel et al.

(10) **Patent No.:** **US D815,484 S**
(45) **Date of Patent:** **** Apr. 17, 2018**

(54) **GRILL**

(71) Applicant: **Hestan Commercial Corporation,**
Anaheim, CA (US)

(72) Inventors: **Hans F. Wenzel,** Santa Ana, CA (US);
Chris Moy, Monterey Park, CA (US);
Eric Deng, Irvine, CA (US); **Ray**
Nilssen, Fairhope, AL (US)

(73) Assignee: **Hestan Commercial Corporation,**
Anaheim, CA (US)

(**) Term: **15 Years**

(21) Appl. No.: **29/550,112**

(22) Filed: **Dec. 30, 2015**

(51) **LOC (11) Cl.** **07-02**

(52) **U.S. Cl.**

USPC **D7/334**

(58) **Field of Classification Search**

USPC D7/213, 323, 324, 329, 330, 332, 334,
D7/337, 339, 340, 346, 347, 362, 367
CPC G05D 7/00; F24F 13/07; F24C 5/00; F24C
5/20; F24C 3/00; F24C 3/10; F24C 3/12;
F24C 15/06; F24C 15/10; F24C 15/16;
F24C 15/20; F23N 5/22; B60H 3/00;
B32B 15/04; A62C 3/00; A47J 43/18
See application file for complete search history.

(56) **References Cited**

U.S. PATENT DOCUMENTS

D462,227 S * 9/2002 Alden D7/334
D465,693 S 11/2002 Coleman et al.
D494,004 S * 8/2004 Chapman D7/334
D503,306 S 3/2005 Huang
D521,307 S 5/2006 Parrant et al.
D525,072 S 7/2006 Wilgus et al.
D533,009 S * 12/2006 Pai D7/334

D533,010 S * 12/2006 Pai D7/334
D535,846 S * 1/2007 Debord D7/334
D560,416 S * 1/2008 Sedberry D7/334
D569,168 S * 5/2008 Pai D7/334
D571,602 S * 6/2008 Chung D7/334
D581,199 S * 11/2008 Chau D7/334
D584,562 S * 1/2009 Chau D7/334
D586,609 S * 2/2009 Chau D7/334
D615,799 S 5/2010 Best et al.
D631,685 S 2/2011 Tiller et al.
D635,814 S * 4/2011 Leavens D7/334
D660,074 S 5/2012 Chung
D677,111 S 3/2013 Chung
D688,510 S * 8/2013 Stirn D7/334
D688,512 S * 8/2013 Chung D7/334

(Continued)

Primary Examiner — Susan Bennett Hattan

Assistant Examiner — Suzanne E Tisdell

(74) *Attorney, Agent, or Firm* — Akerman LLP

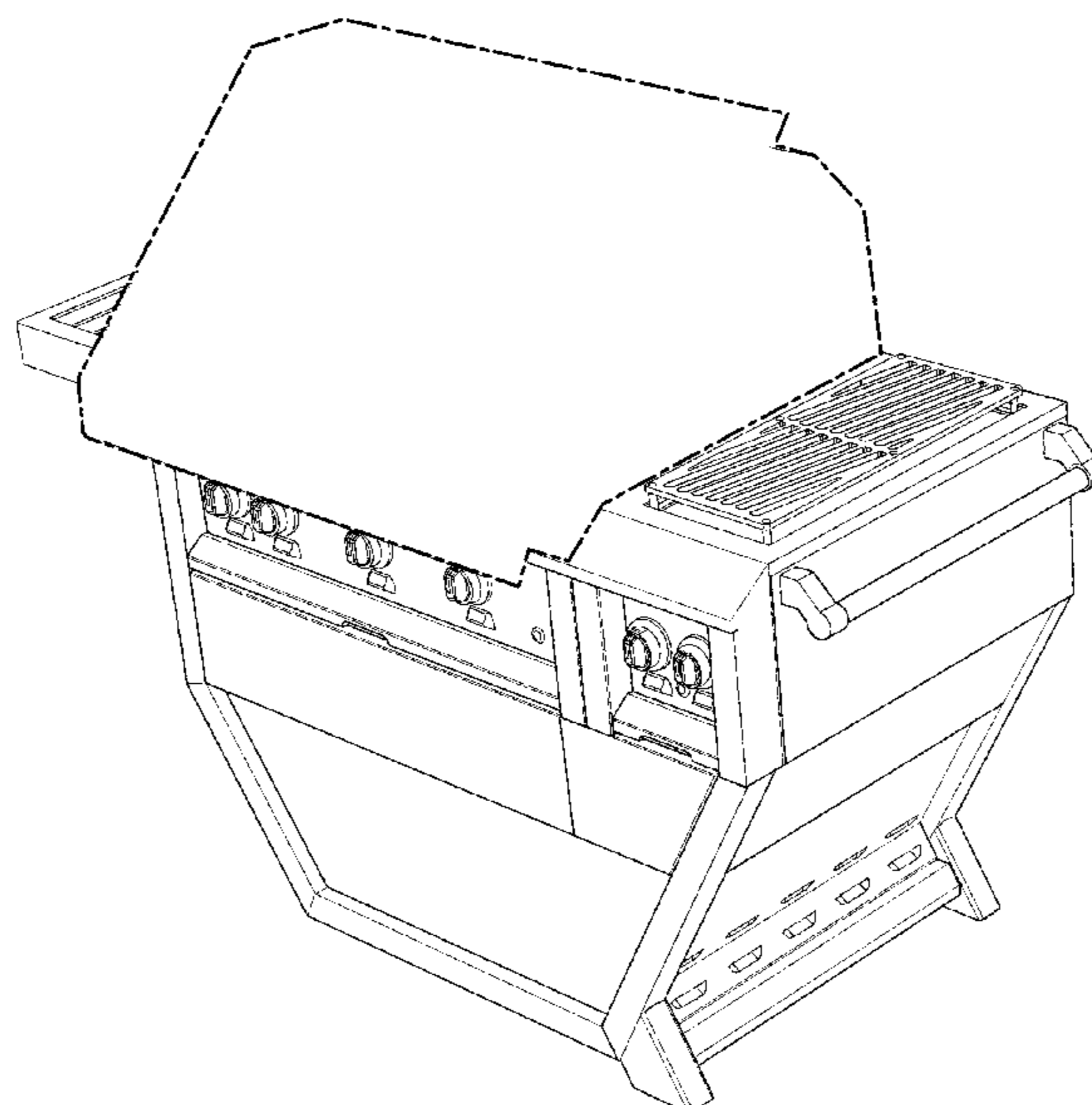
(57) **CLAIM**

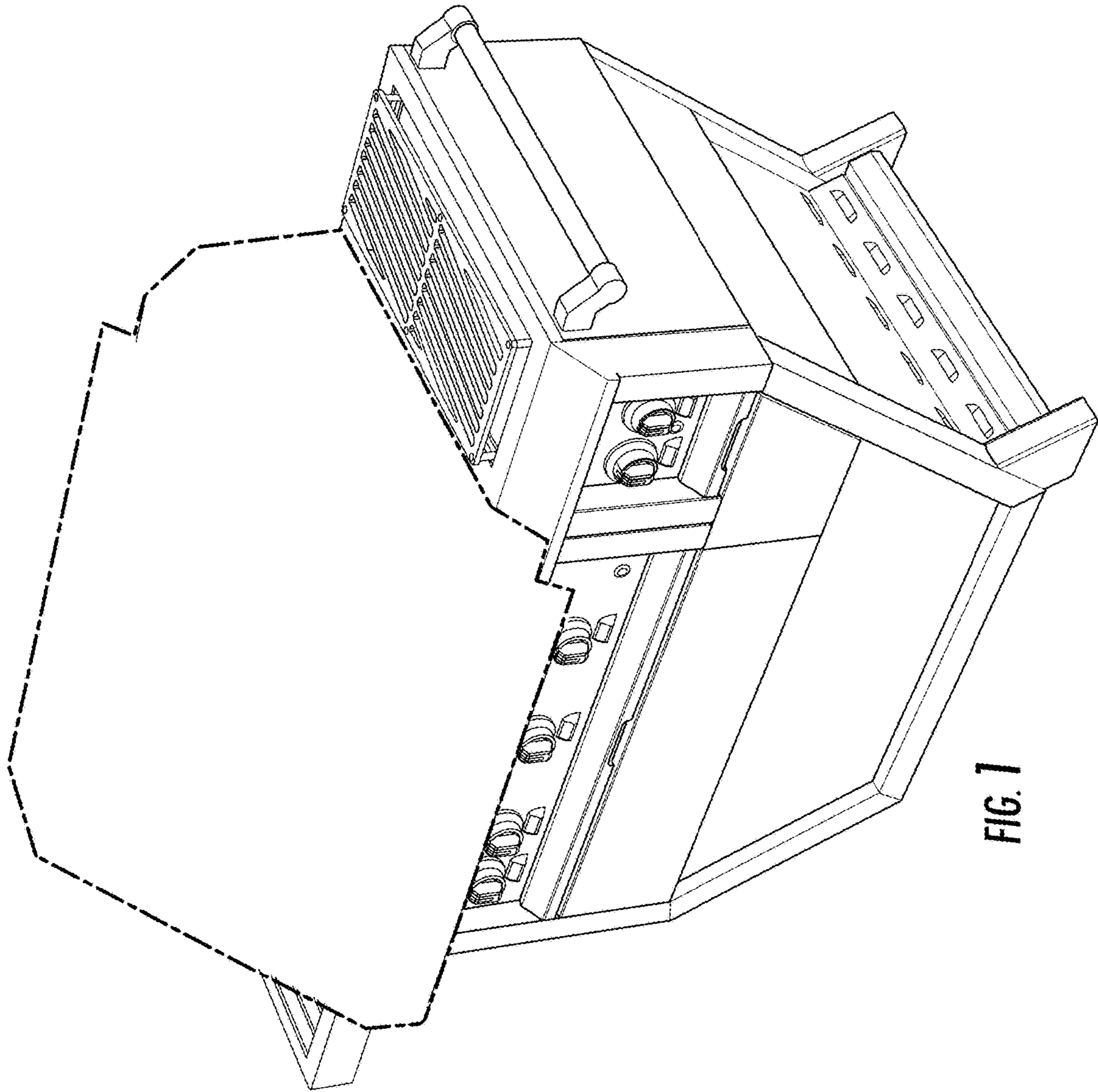
The ornamental design for a grill, as shown and described.

DESCRIPTION

FIG. 1 is a front right top perspective view of a grill showing my new design;
FIG. 2 is a front elevation view thereof;
FIG. 3 is a back elevation view thereof;
FIG. 4 is a right side elevation view thereof;
FIG. 5 is a left side elevation view thereof;
FIG. 6 is a top plan view thereof;
FIG. 7 is a bottom plan view thereof;
FIG. 8 is a rear left top perspective view thereof;
FIG. 9 is a front bottom right perspective view thereof;
FIG. 10 is a front bottom left perspective view thereof;
FIG. 11 is a rear bottom left perspective view thereof; and,
FIG. 12 is a rear bottom right perspective view thereof.
The dot dash style broken lines in FIGS. 1-12 illustrate the boundary of the unclaimed hood or cover.

1 Claim, 12 Drawing Sheets





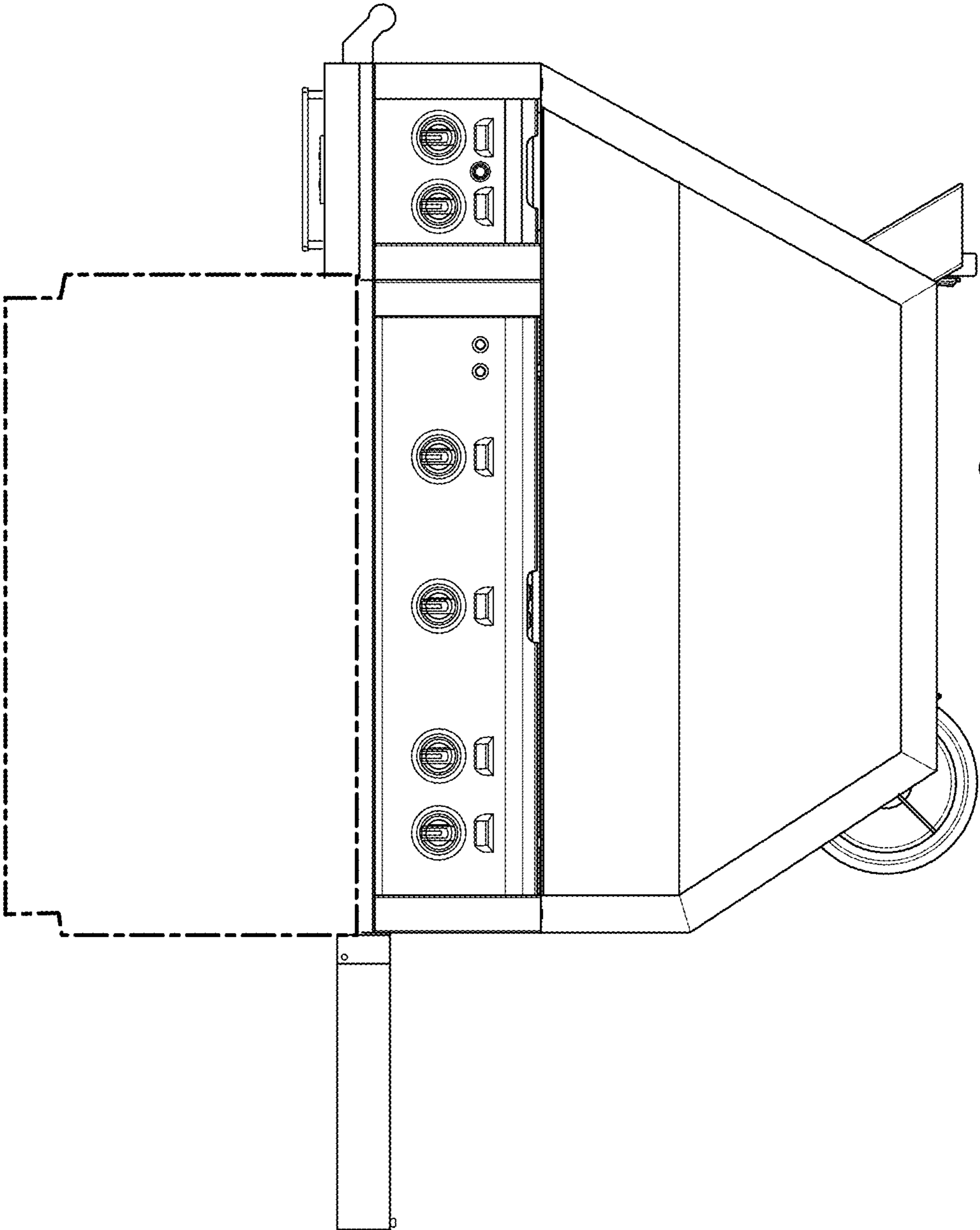


FIG. 2

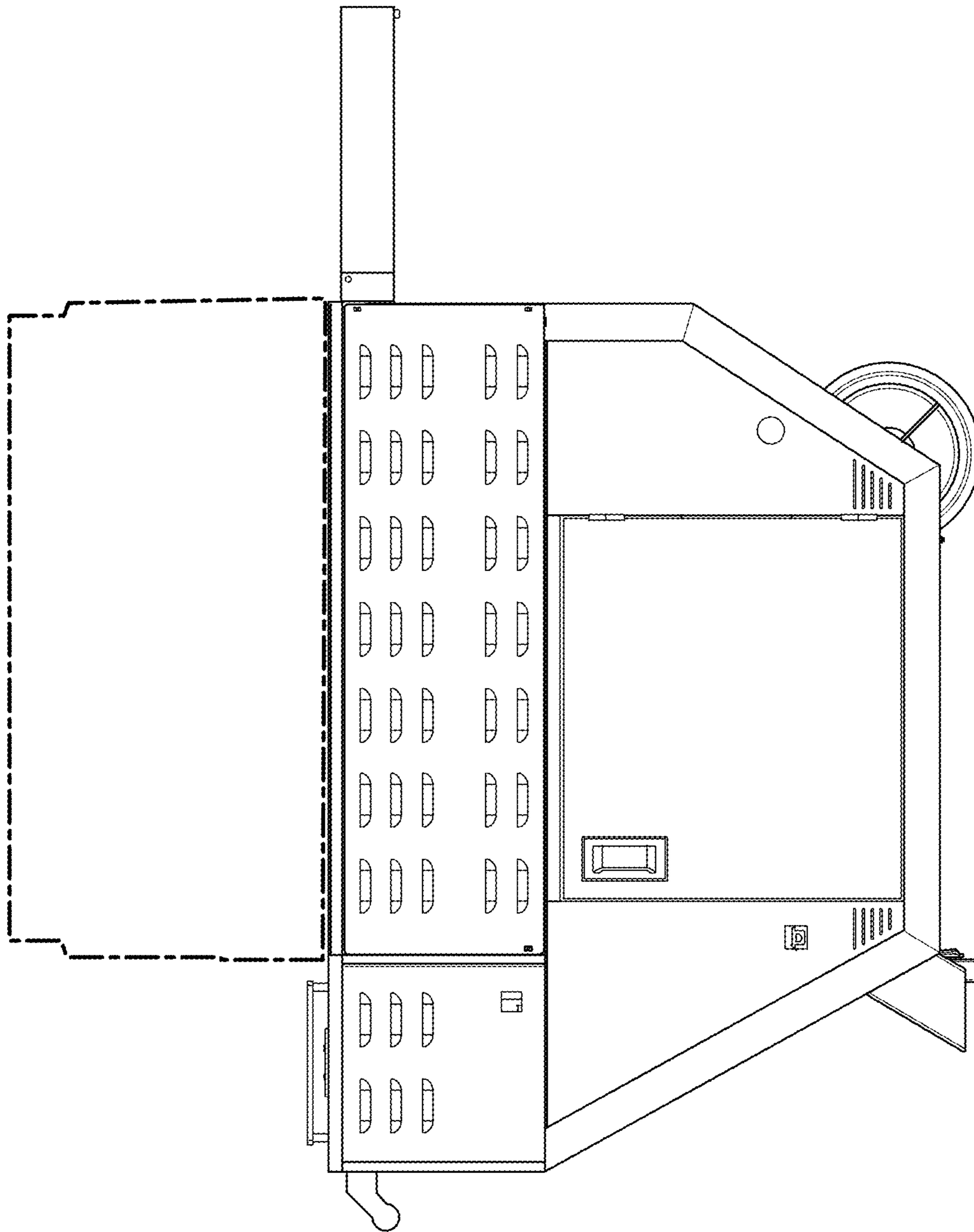


FIG. 3

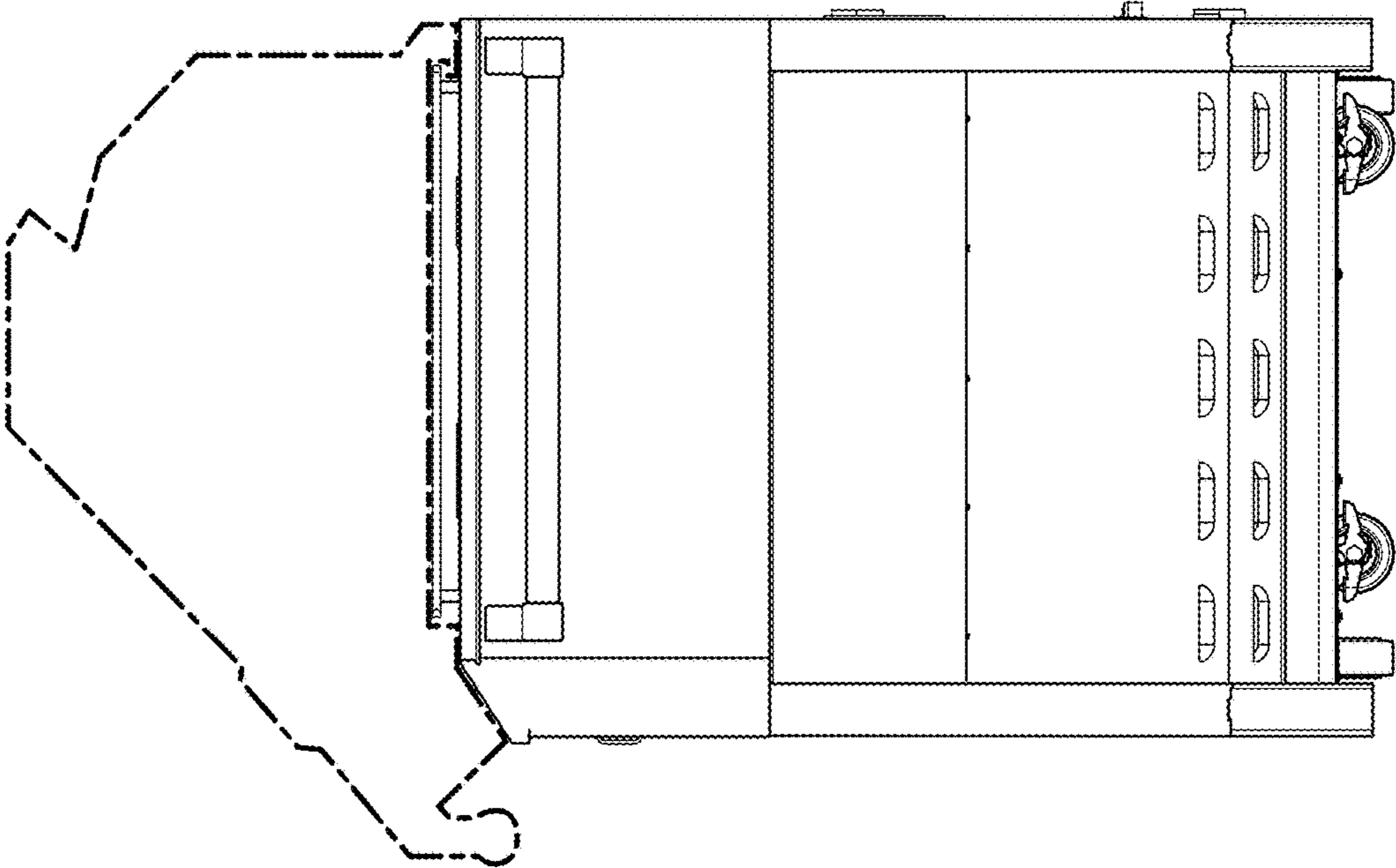


FIG. 4

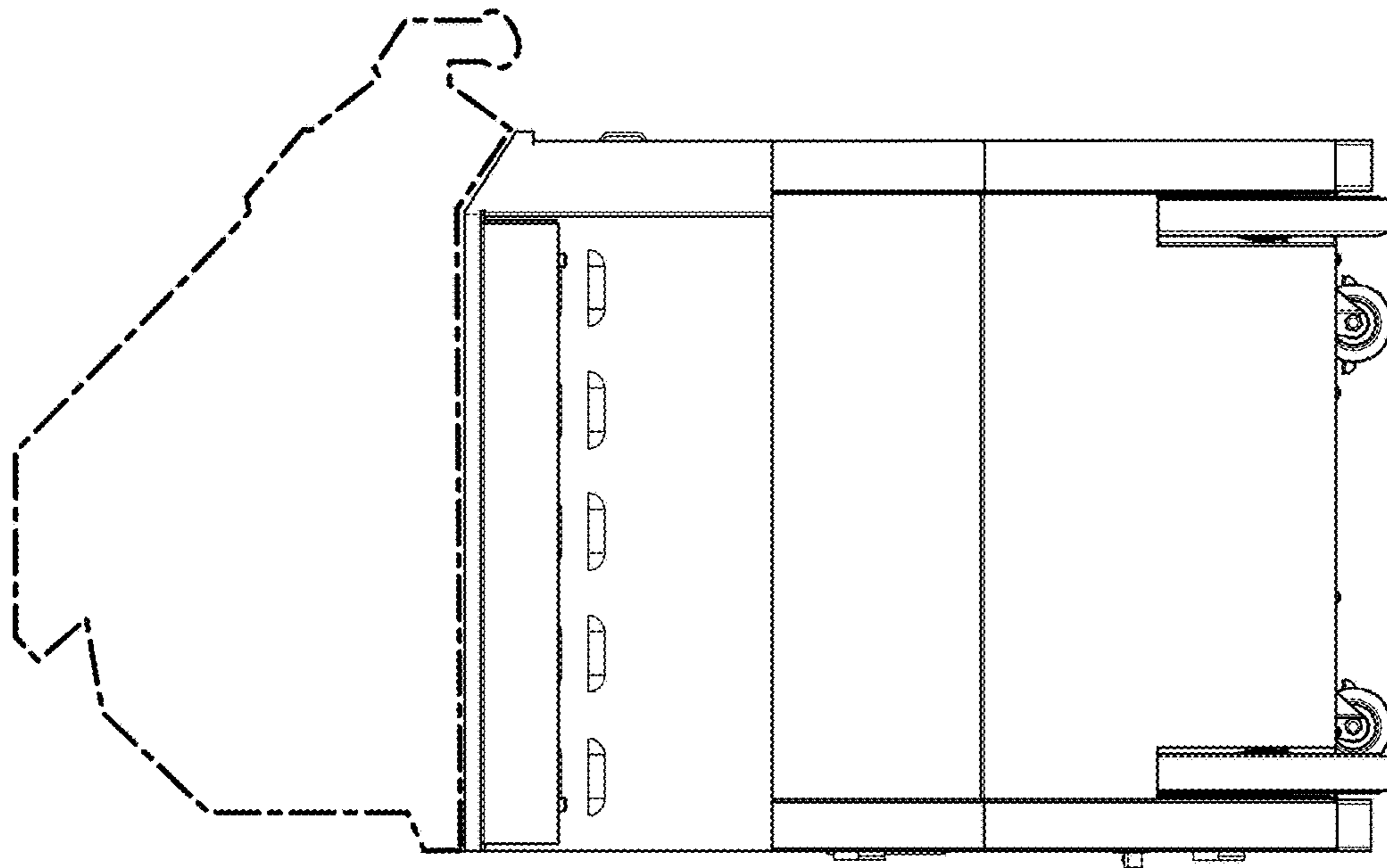


FIG. 5

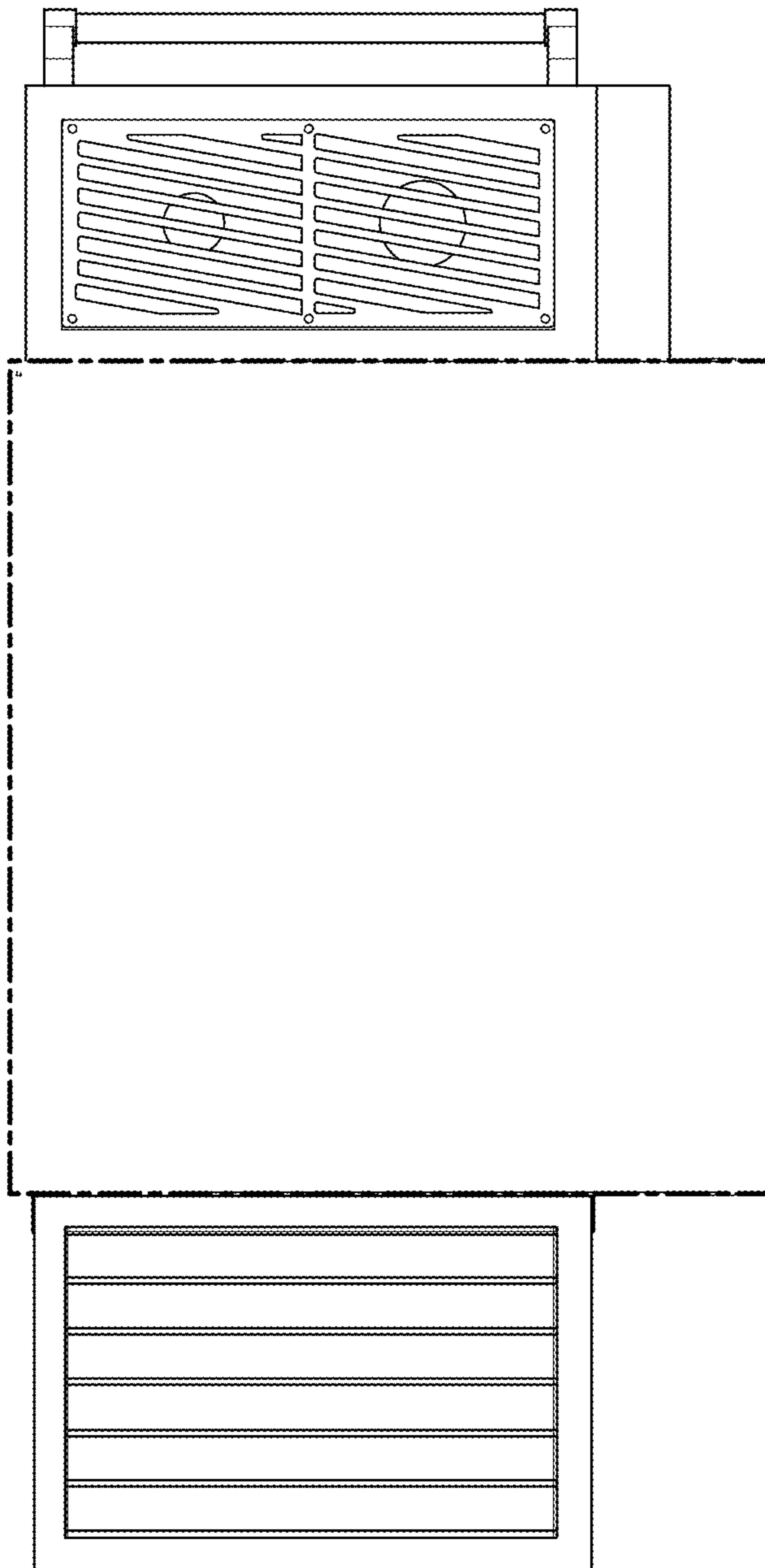


FIG. 6

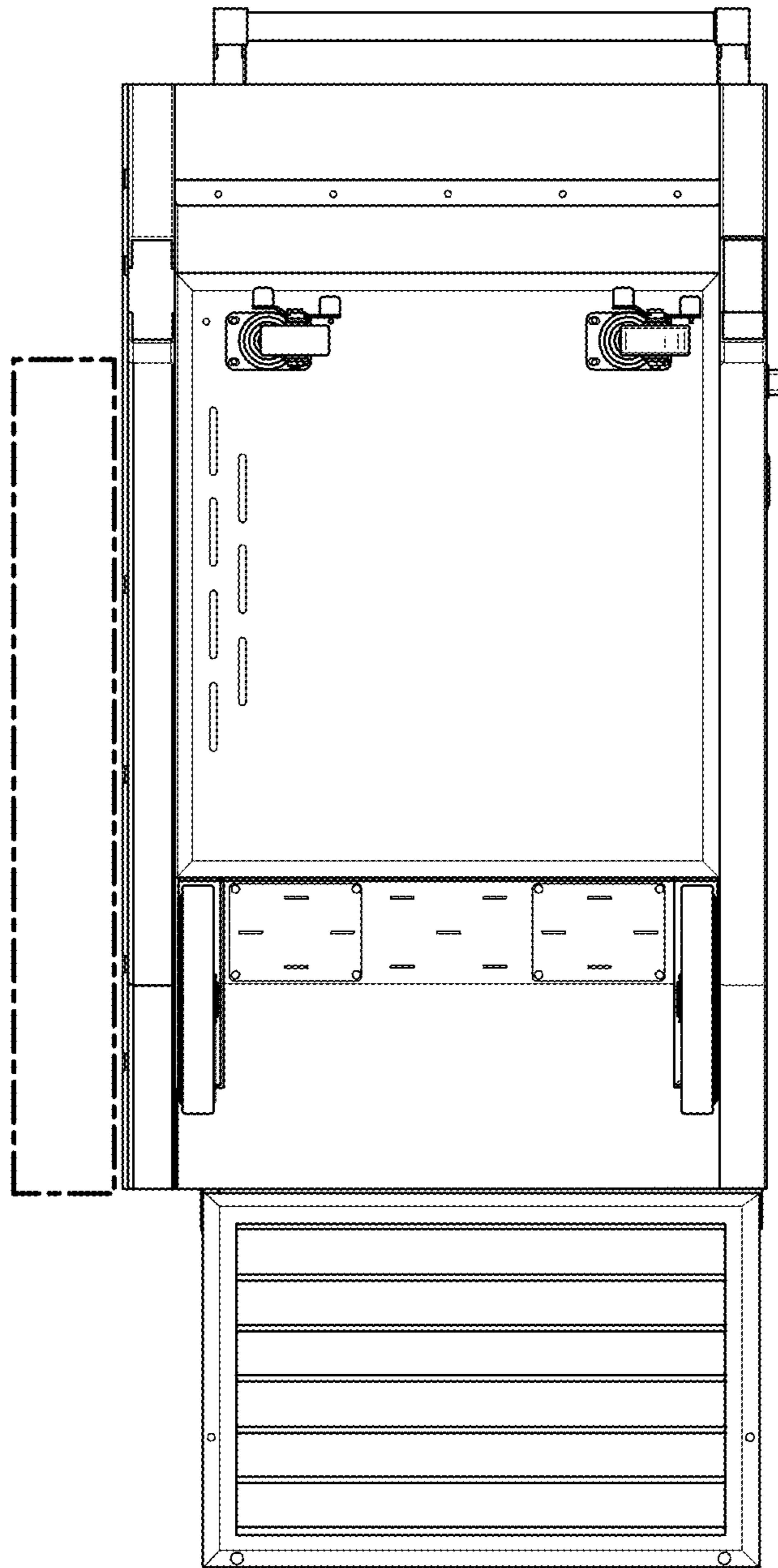


FIG. 7

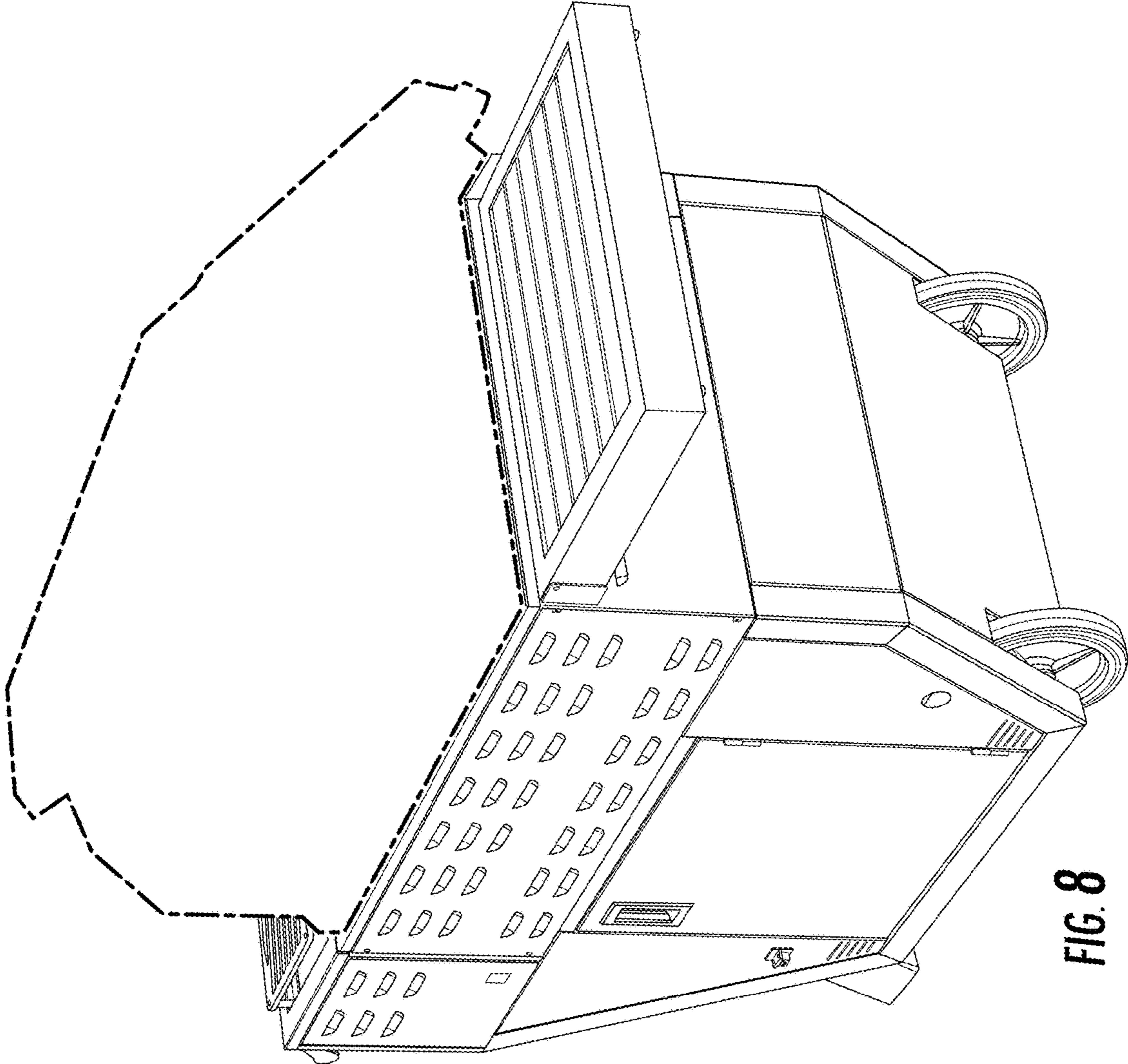


FIG. 8

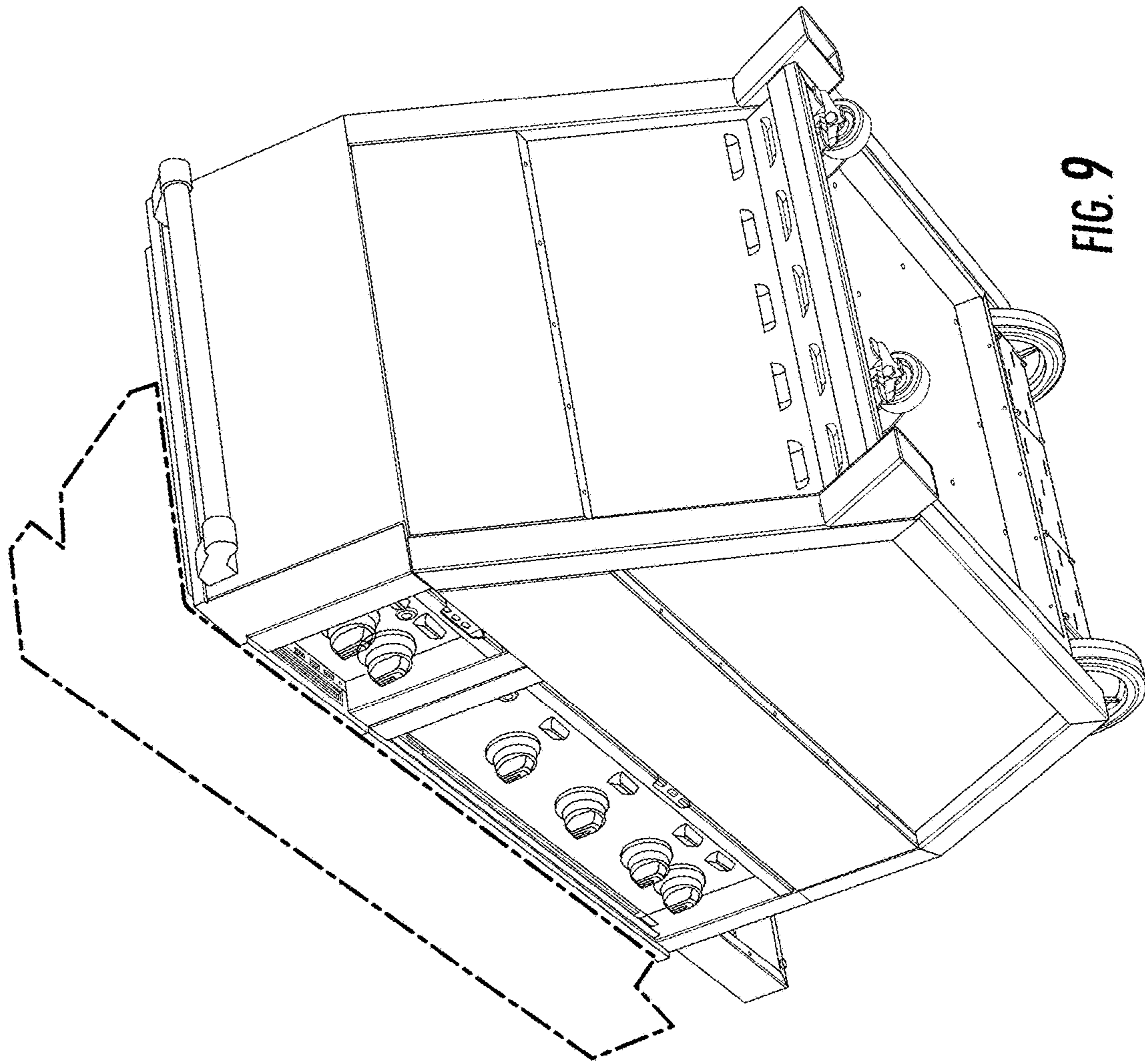


FIG. 9

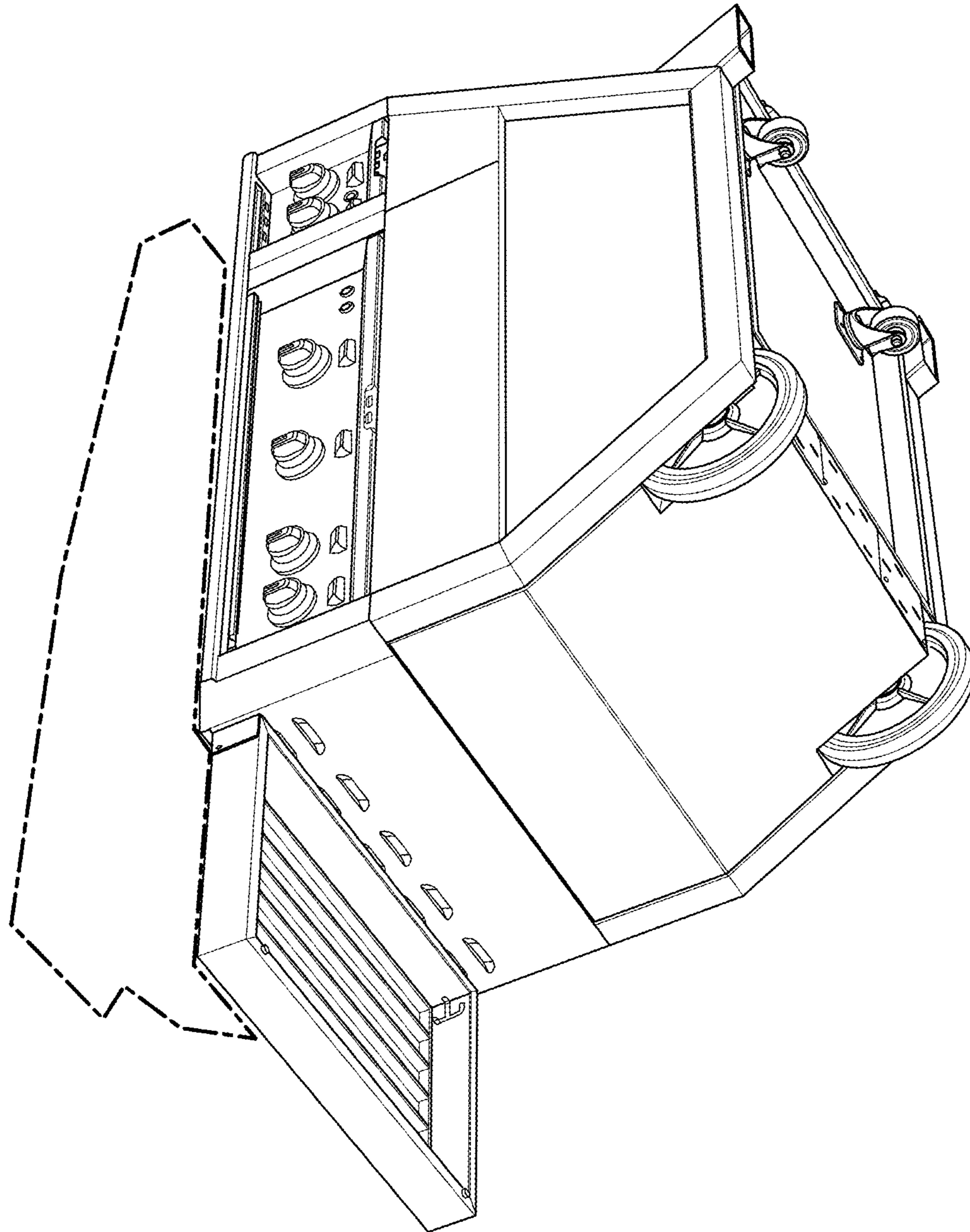


FIG. 10

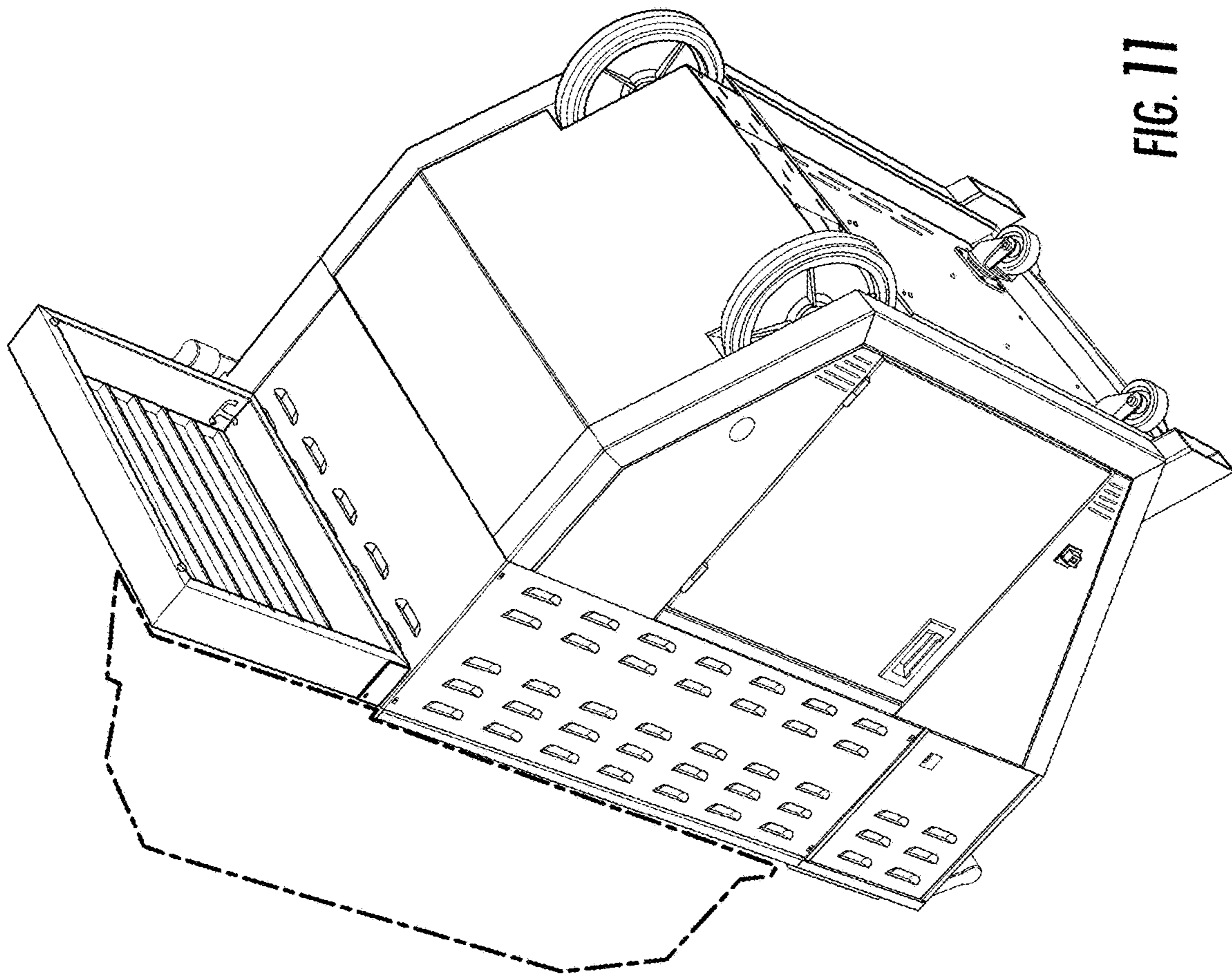


FIG. 11

