



US00D815483S

(12) **United States Design Patent** (10) **Patent No.:** **US D815,483 S**
Ruiz (45) **Date of Patent:** **** Apr. 17, 2018**

- (54) **PORTABLE GRILLING APPARATUS**
- (71) Applicant: **Luis Alberto Ruiz**, Miami Lakes, FL (US)
- (72) Inventor: **Luis Alberto Ruiz**, Miami Lakes, FL (US)
- (**) Term: **15 Years**
- (21) Appl. No.: **29/557,018**
- (22) Filed: **Mar. 4, 2016**
- (51) **LOC (11) Cl.** **07-02**
- (52) **U.S. Cl.**
USPC **D7/332**
- (58) **Field of Classification Search**
USPC D7/213, 323, 324, 329, 330, 331, 332, D7/333, 334, 335, 336, 337, 339, 340, D7/346, 347, 362, 367, 402, 404, 405, D7/406, 407
CPC G05D 7/00; F24F 13/07; F24C 5/00; F24C 5/20; F24C 3/00; F24C 3/10; F24C 3/12; F24C 15/06; F24C 15/10; F24C 15/16; F24C 15/20; F24B 3/00; F23N 5/22; B60H 3/00; B32B 15/04; A62C 3/00; A47J 43/18; A47J 37/00; A47J 37/04; A47J 37/06; A47J 37/07
See application file for complete search history.

D581,199	S	*	11/2008	Chau	D7/334
D584,562	S	*	1/2009	Chau	D7/334
D586,609	S	*	2/2009	Chau	D7/334
D635,814	S	*	4/2011	Leavens	D7/334
D688,510	S	*	8/2013	Stirn	D7/334
D688,512	S	*	8/2013	Chung	D7/334
D693,624	S	*	11/2013	Chung	D7/334
D694,056	S	*	11/2013	Dahle	D7/334
D694,568	S	*	12/2013	Alden	D7/334
D723,322	S	*	3/2015	Strauch	D7/334
D723,860	S	*	3/2015	Chung	D7/334
D747,911	S	*	1/2016	Sheppard	D34/14
D769,668	S	*	10/2016	Lally	D7/334
2007/0204858	A1	*	9/2007	Abelbeck	F24C 3/12 126/41 R
2008/0229937	A1	*	9/2008	Stephen	A47J 37/07 99/421 R
2010/0297321	A1	*	11/2010	Strauch	A47J 37/041 426/523
2011/0219958	A1	*	9/2011	Noble	A23B 4/044 99/473

(Continued)

Primary Examiner — Manpreet S Matharu
Assistant Examiner — Suzanne E Tisdell
(74) *Attorney, Agent, or Firm* — Glenn E. Gold, P.A.;
Glenn E. Golg; David Colls

(57) **CLAIM**

I claim the ornamental design for a portable grilling apparatus, as shown and described.

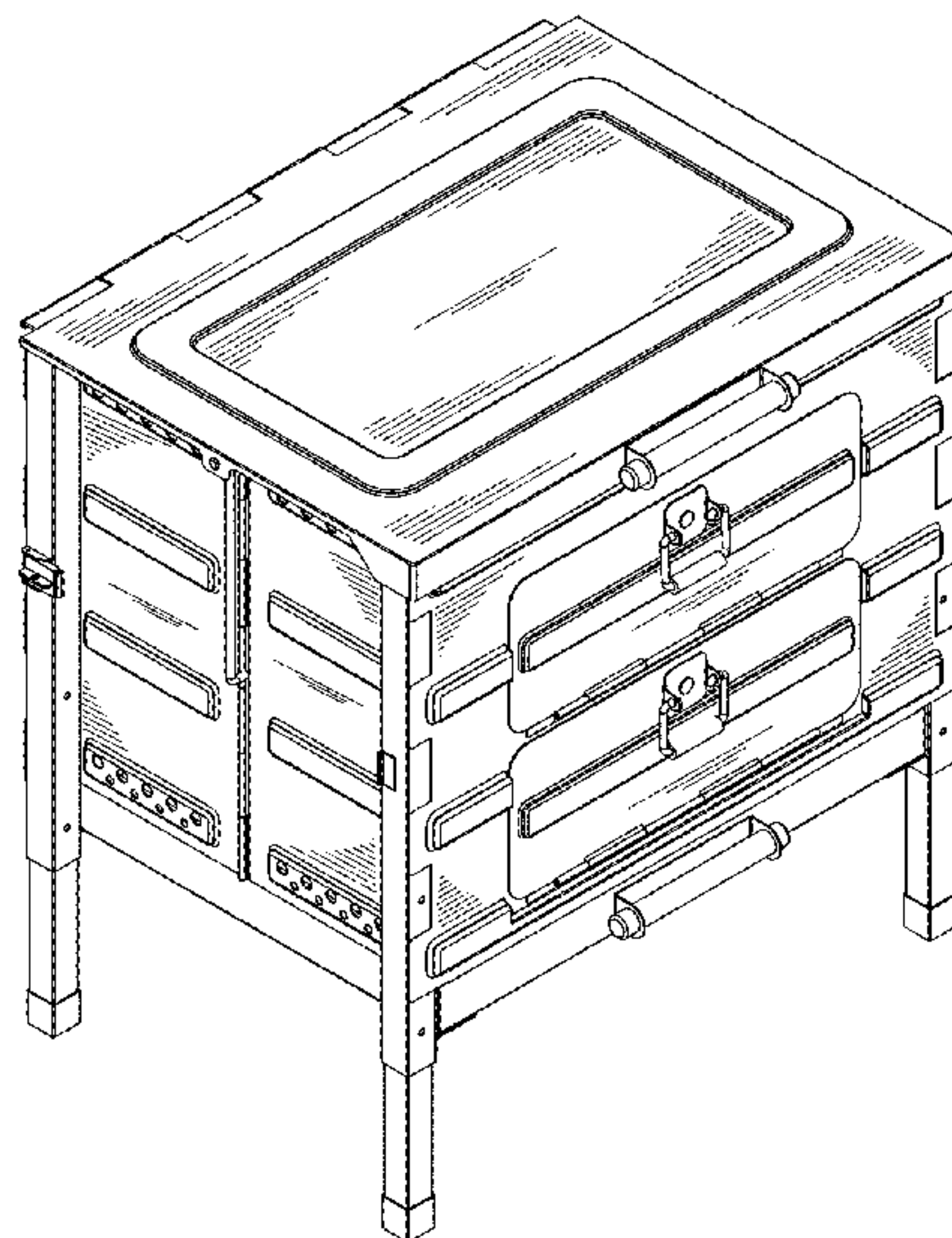
DESCRIPTION

FIG. 1 is a top left perspective view of a portable grilling apparatus showing my new design;
FIG. 2 is a front side elevation view thereof;
FIG. 3 is a rear side elevation view thereof;
FIG. 4 is a left side elevation view thereof;
FIG. 5 is a right side elevation view thereof;
FIG. 6 is a top plan view thereof; and,
FIG. 7 is a bottom plan view thereof.

1 Claim, 4 Drawing Sheets

(56) **References Cited**
U.S. PATENT DOCUMENTS

D462,227	S	*	9/2002	Alden	D7/334
D494,004	S	*	8/2004	Chapman	D7/334
D533,009	S	*	12/2006	Pai	D7/334
D533,010	S	*	12/2006	Pai	D7/334
D535,846	S	*	1/2007	Debord	D7/334
D560,416	S	*	1/2008	Sedberry	D7/334
D569,168	S	*	5/2008	Pai	D7/334
D571,602	S	*	6/2008	Chung	D7/334



(56)

References Cited

U.S. PATENT DOCUMENTS

2013/0112088 A1* 5/2013 May A47J 37/07
99/421 H
2015/0004297 A1* 1/2015 Pothetes A47J 37/00
426/523
2016/0198895 A1* 7/2016 Turner A47J 37/0676
99/445
2016/0208837 A1* 7/2016 Chang F16B 5/02
2016/0360924 A1* 12/2016 Bruin-Slot A47J 37/0713

* cited by examiner

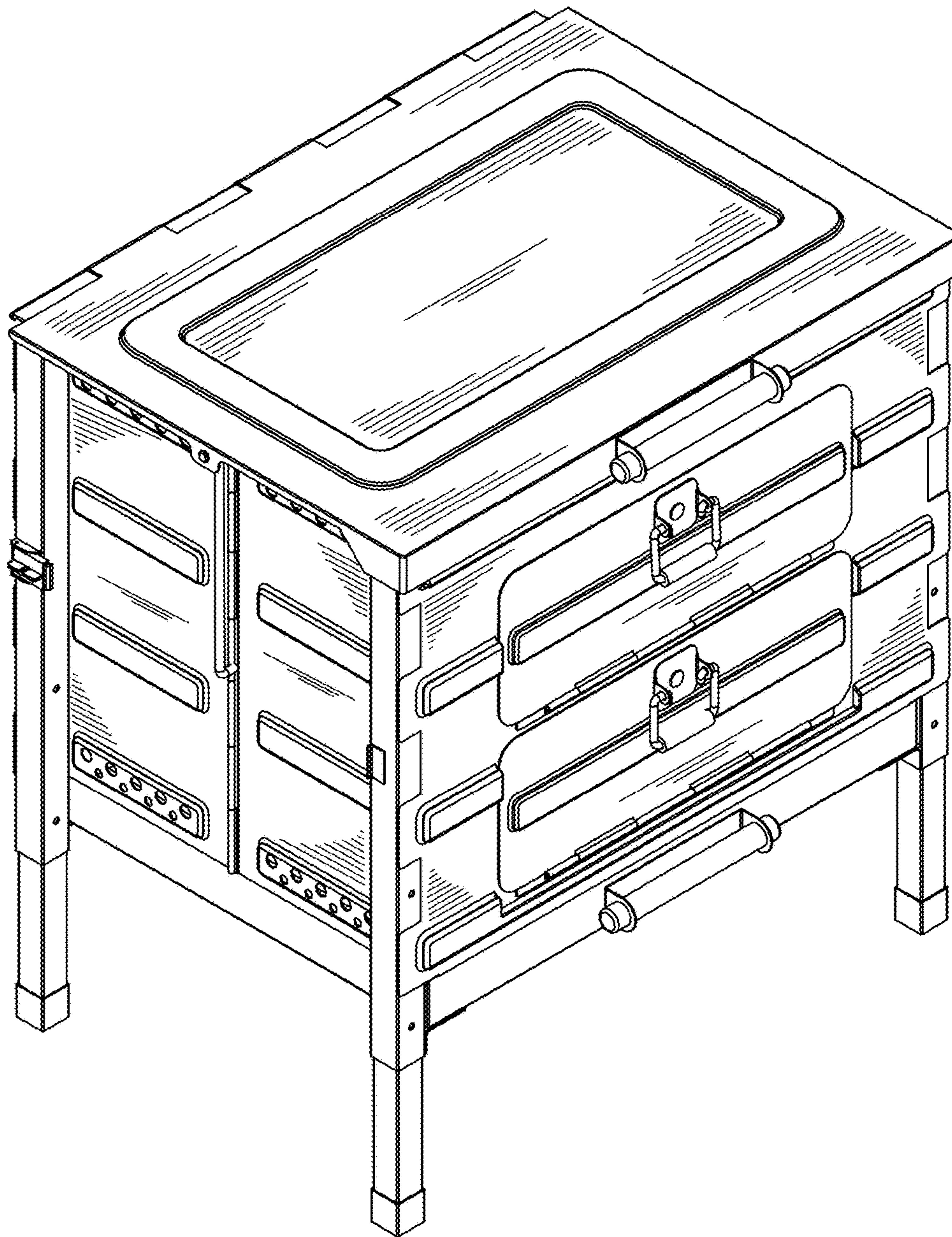


FIG. 1

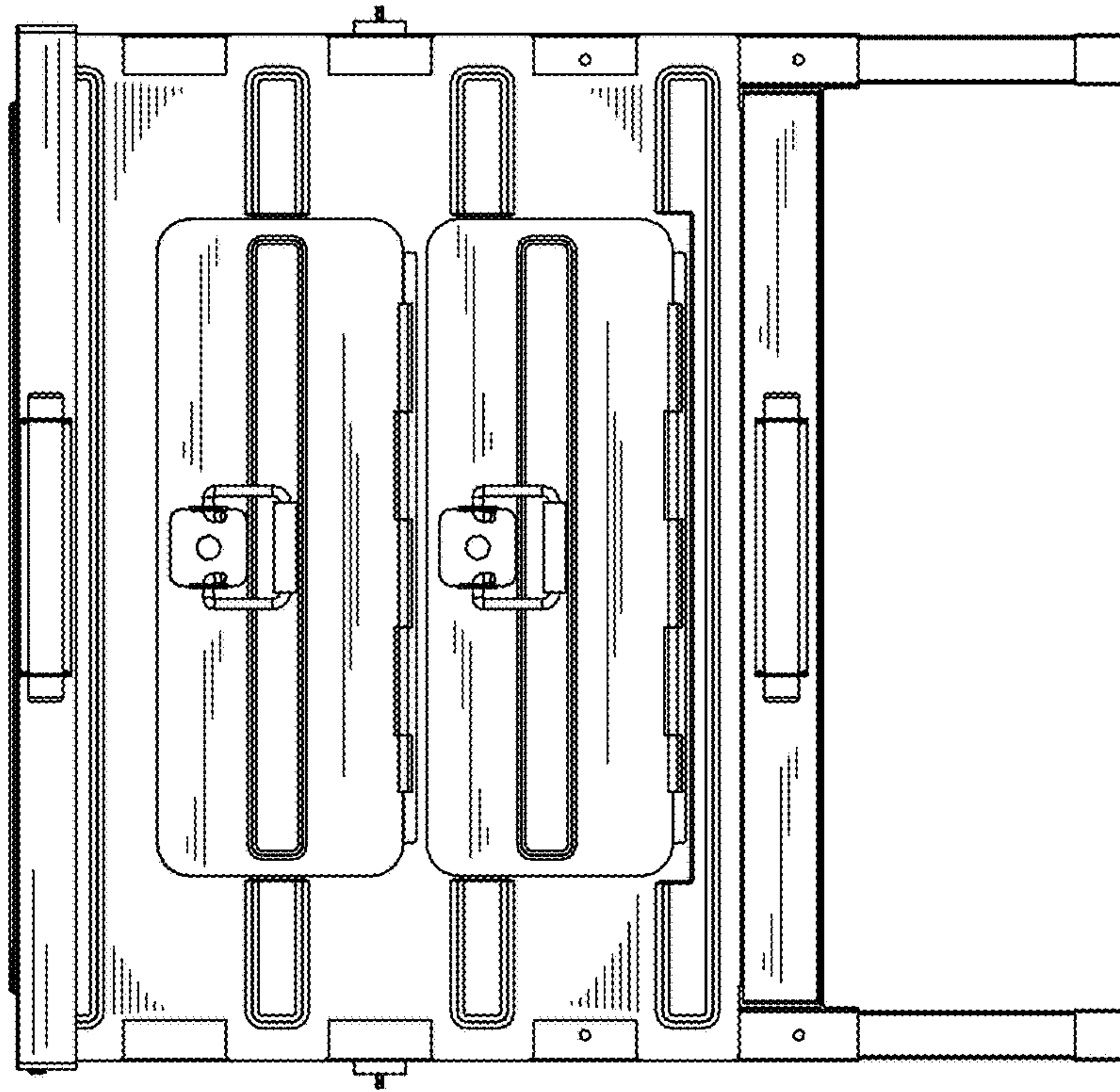


FIG. 2

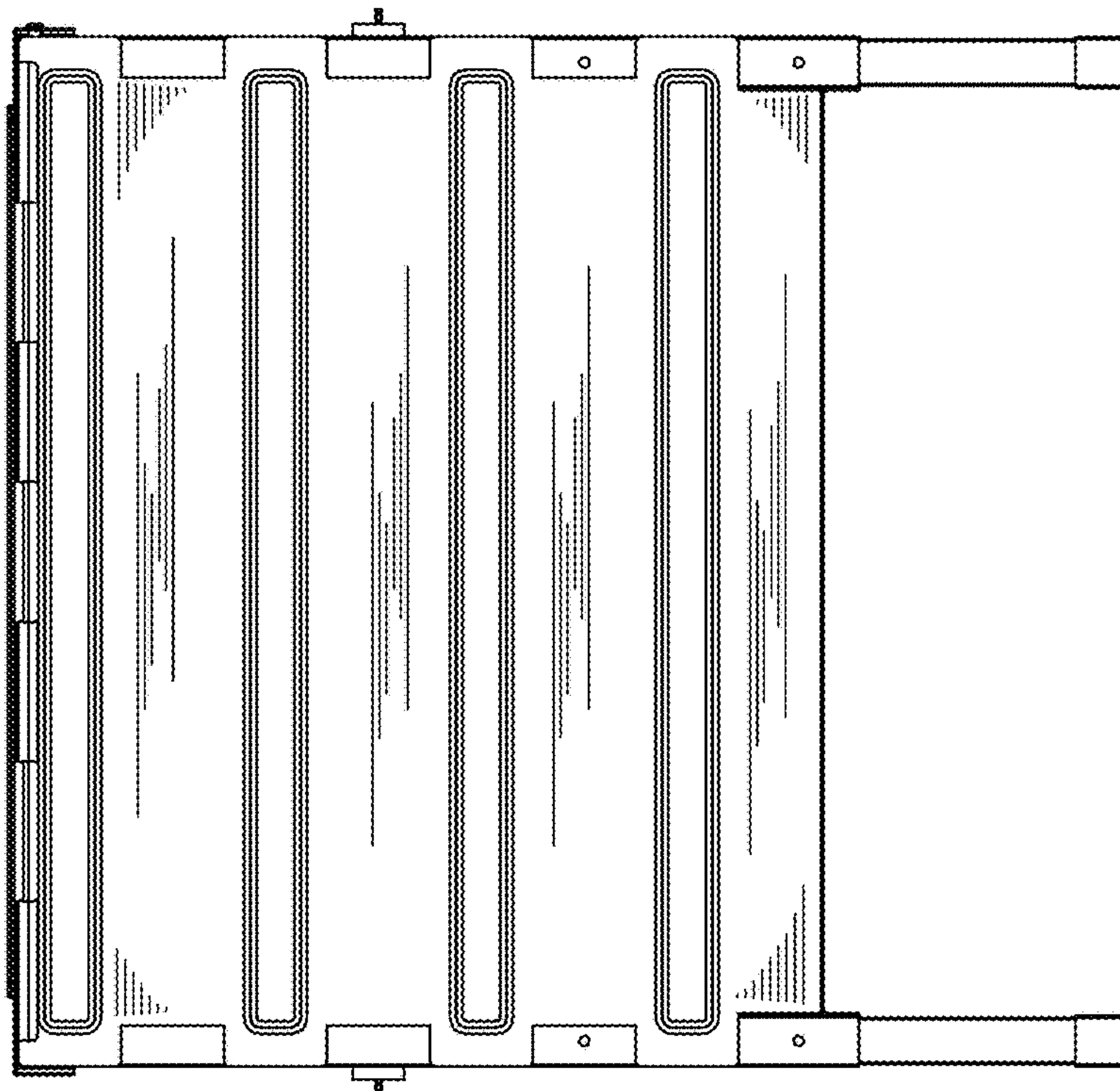


FIG. 3

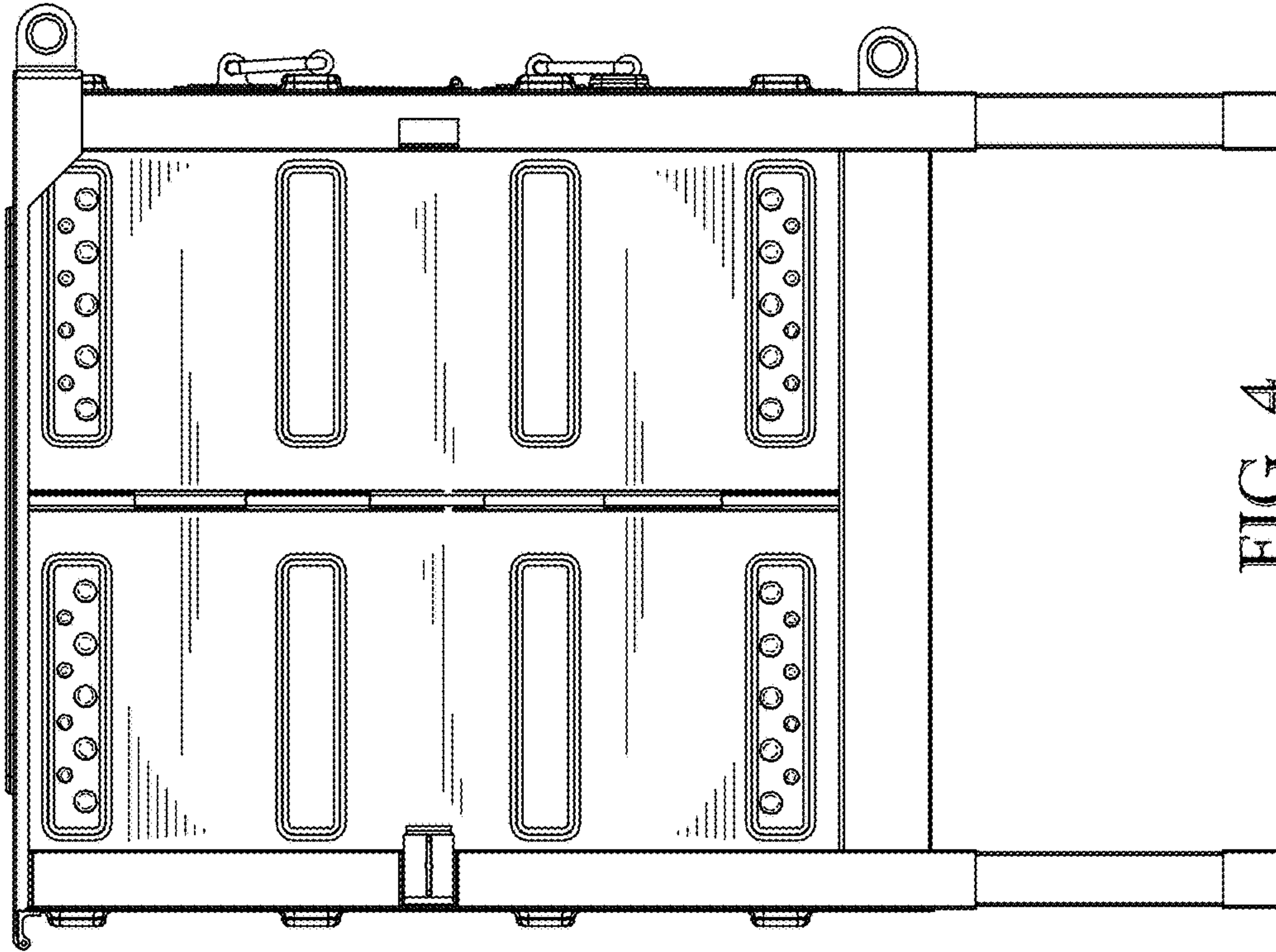


FIG. 4

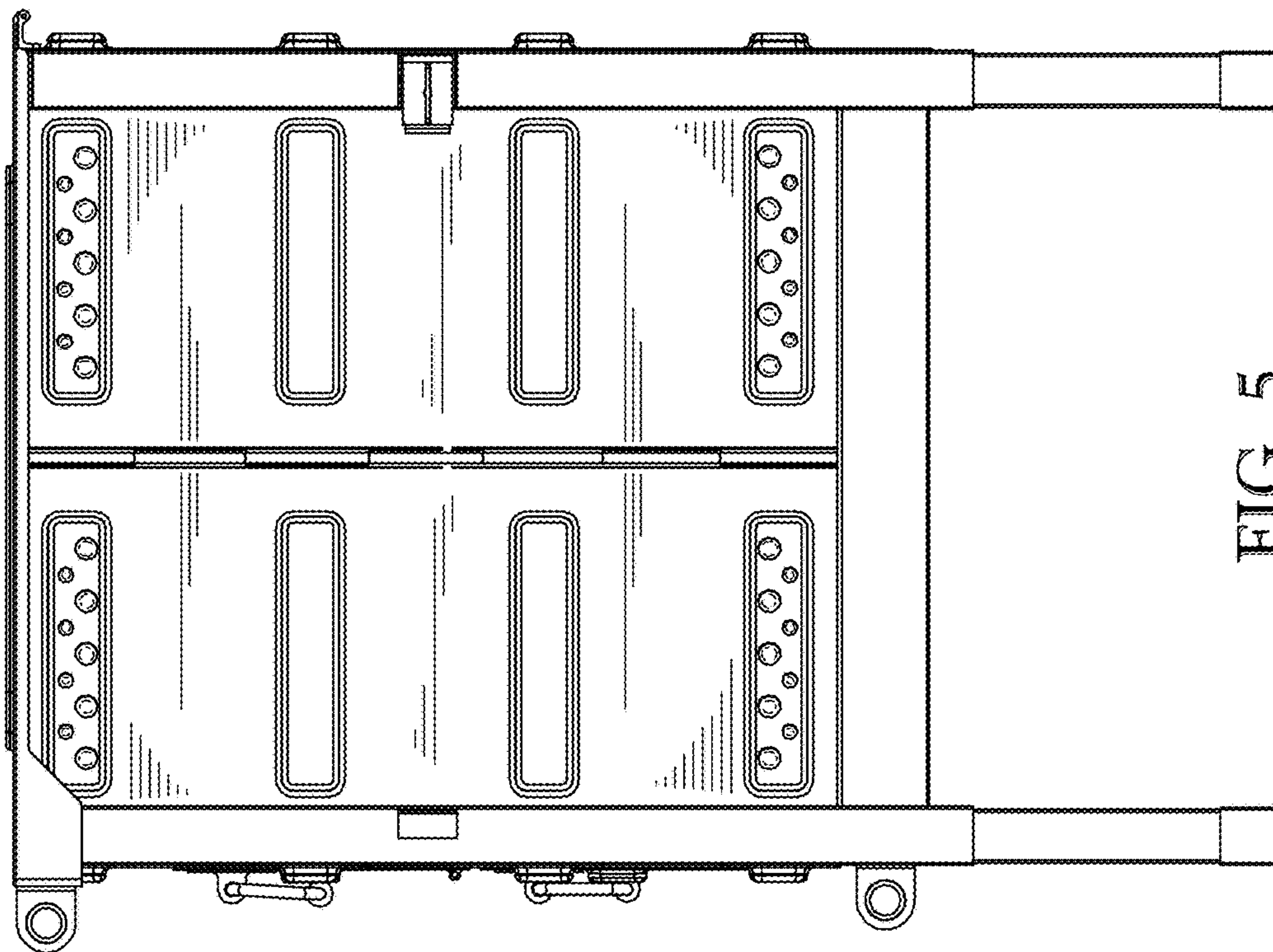


FIG. 5

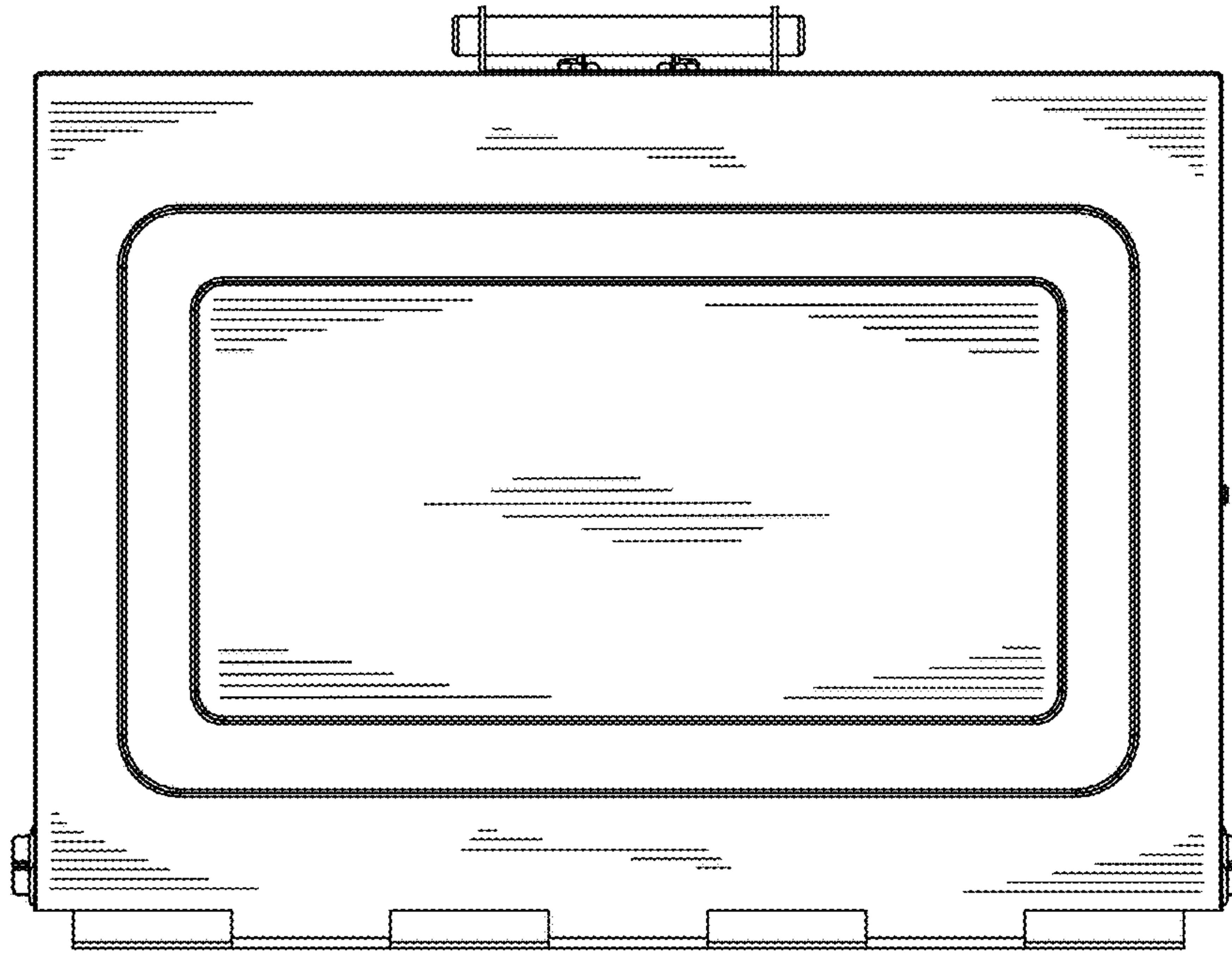


FIG. 6

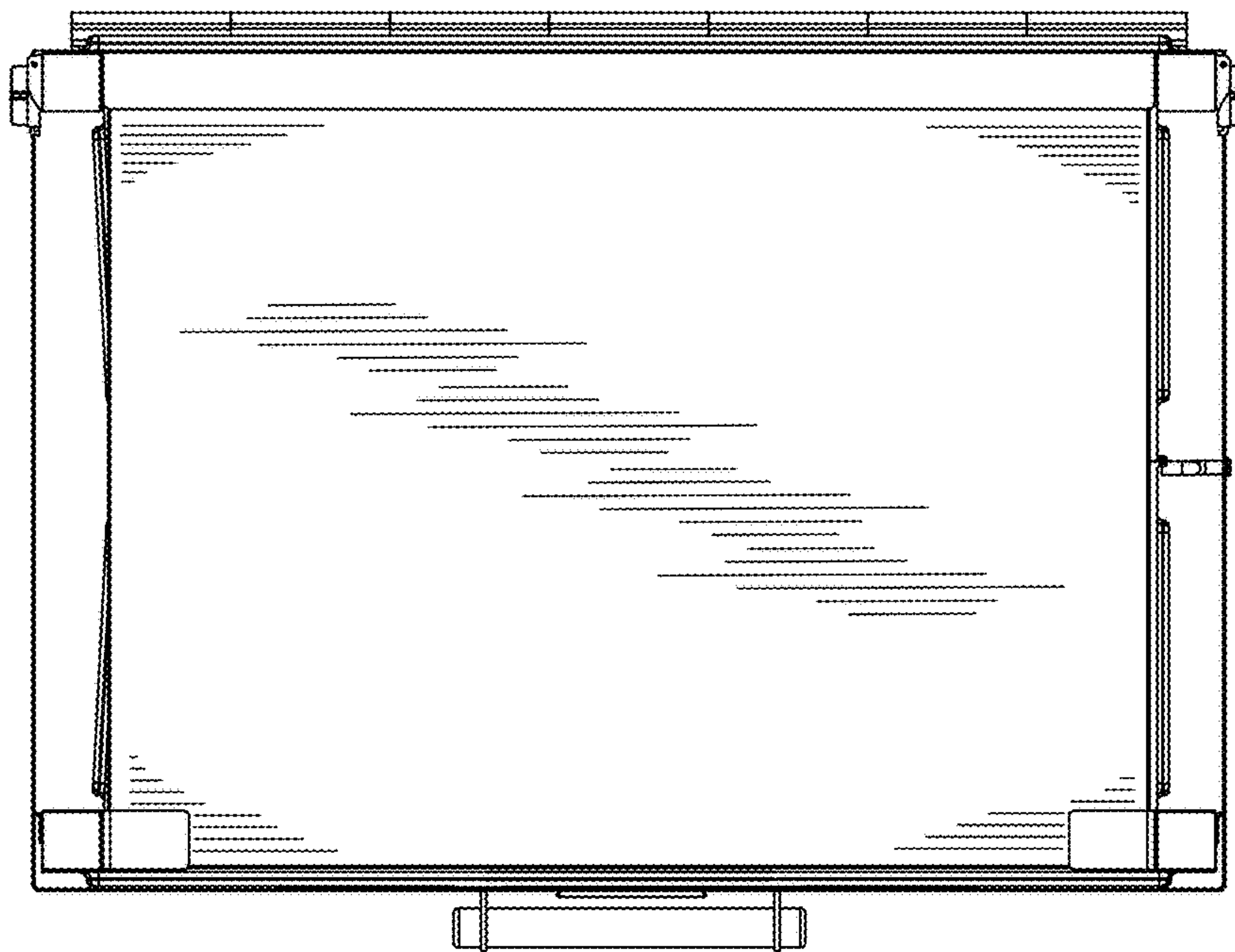


FIG. 7