



US00D815476S

(12) **United States Design Patent**
Procter

(10) **Patent No.:** **US D815,476 S**

(45) **Date of Patent:** **** Apr. 17, 2018**

(54) **LECTERN**

(71) Applicant: **Procton Pty Ltd**, Earlwood, New South Wales (AU)

(72) Inventor: **Stephen Richard Procter**, Earlwood (AU)

(73) Assignee: **Procton Pty Ltd.**, Earlwood, NSW (AU)

(**) Term: **15 Years**

(21) Appl. No.: **29/575,866**

(22) Filed: **Aug. 30, 2016**

Related U.S. Application Data

(62) Division of application No. 29/512,861, filed on Dec. 23, 2014, now Pat. No. Des. 782,232.

(51) **LOC (11) Cl.** **06-06**

(52) **U.S. Cl.**
USPC **D6/700**

(58) **Field of Classification Search**
USPC D6/682, 682.5, 700, 701, 708.21, 300, D6/708.17, 708.2, 314; D19/86; 248/444.1, 441.1, 445, 447; 108/150
CPC A47B 23/007; A47B 23/042; A47B 19/04; A47B 13/023
See application file for complete search history.

(56) **References Cited**

U.S. PATENT DOCUMENTS

- D102,790 S * 1/1937 Katz et al. D6/701
- D118,485 S * 1/1940 Salomon et al. D6/700
- D132,166 S * 4/1942 Cloutier et al. 297/34
- 2,873,552 A * 2/1959 Jewell A47B 19/002
248/460
- 3,079,725 A * 3/1963 La Flenr A47B 19/10
248/441.1
- D220,343 S * 3/1971 Boissicat et al. D34/17

- D239,899 S * 5/1976 Malcolm et al. D6/701
- D245,820 S * 9/1977 Matthews D6/700
- D250,920 S * 1/1979 Waters D6/700
- D269,291 S * 6/1983 Hofer D23/366
- D274,102 S * 6/1984 You D6/700

(Continued)

Primary Examiner — John Windmuller

Assistant Examiner — Steven Czyz

(74) *Attorney, Agent, or Firm* — Merchant & Gould P.C.

(57) **CLAIM**

The ornamental design for a lectern, as shown and described.

DESCRIPTION

FIG. 1 is a rear perspective view of a lectern according to the first embodiment;

FIG. 2 is a front perspective view thereof;

FIG. 3 is a top view thereof;

FIG. 4 is a bottom view thereof;

FIG. 5 is a right side view of the lectern in a lowered configuration;

FIG. 6 is a left side view of the lectern in a raised configuration;

FIG. 7 is a rear elevation view of the lectern;

FIG. 8 is a front elevation view thereof;

FIG. 9 is a rear perspective view of a lectern according to the second embodiment;

FIG. 10 is a front perspective view thereof;

FIG. 11 is a top view thereof;

FIG. 12 is a bottom view thereof;

FIG. 13 is a right side view of the lectern in a lowered configuration;

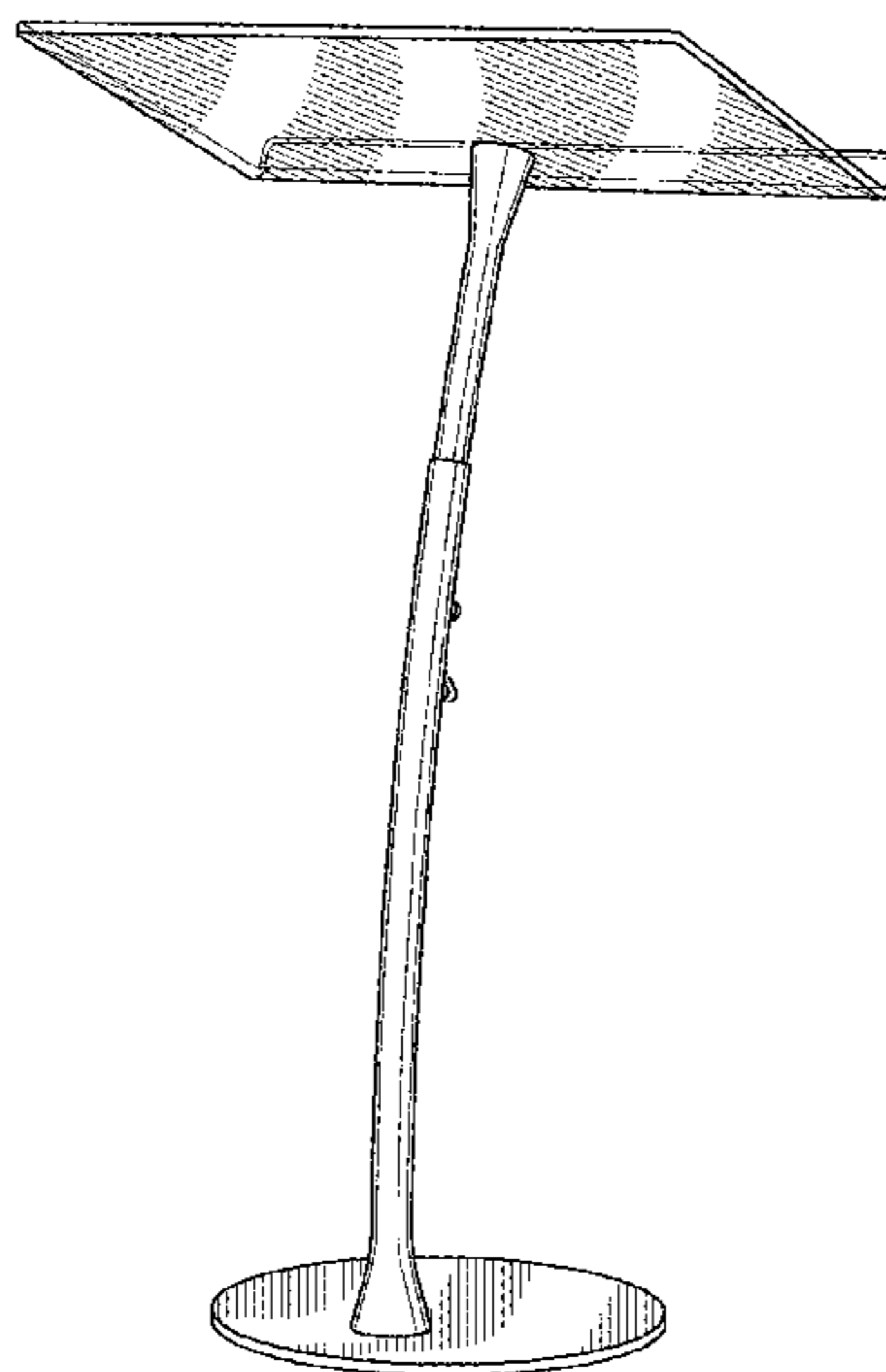
FIG. 14 is a left side view of the lectern in a raised configuration;

FIG. 15 is a rear elevation view of the lectern; and,

FIG. 16 is a front elevation view thereof.

The broken lines depict portions of the article that form no part of the claimed design.

1 Claim, 12 Drawing Sheets



(56)

References Cited

U.S. PATENT DOCUMENTS

4,605,193 A * 8/1986 Kuparinen A47B 19/08
 248/121
 D285,507 S * 9/1986 Middlemist D6/700
 D300,092 S * 3/1989 Middlemist D6/700
 4,819,902 A * 4/1989 Wenger A47B 19/002
 248/423
 D314,873 S * 2/1991 Wenger D6/701
 D323,752 S * 2/1992 Montagner D19/88
 D324,462 S * 3/1992 Karnaze 248/441.1
 D346,286 S * 4/1994 Caponigro D17/99
 D357,825 S * 5/1995 Gillam D6/700
 D360,777 S * 8/1995 Glebe D6/310
 D361,217 S * 8/1995 Glebe D6/310
 D365,223 S * 12/1995 Pryor D6/700
 D367,971 S * 3/1996 Lynn D6/701
 5,564,661 A * 10/1996 Gershon A47B 19/002
 248/167
 D377,276 S * 1/1997 Hirsch D6/700
 D388,262 S * 12/1997 Benting D17/99
 5,833,199 A * 11/1998 Benting A47B 19/002
 248/414
 D404,933 S * 2/1999 Travers D6/700
 D433,581 S * 11/2000 Miller D6/700
 6,238,129 B1 * 5/2001 Rahn F16M 11/04
 248/441.1
 D457,011 S * 5/2002 Wenner D6/314
 D459,609 S * 7/2002 Raff D6/701

D499,899 S * 12/2004 Brought D6/700
 D535,109 S * 1/2007 Palmer D6/312
 D598,217 S * 8/2009 Bode D6/681.2
 D609,495 S * 2/2010 Adams D6/656.11
 D618,009 S * 6/2010 Lancet D6/700
 D625,528 S * 10/2010 Sprague D6/681
 D644,450 S * 9/2011 Walter D6/701
 D650,200 S * 12/2011 Francis D6/700
 D661,498 S * 6/2012 Wang G09F 7/04
 D671,545 S * 11/2012 Guran D14/447
 D677,075 S * 3/2013 Rodgers D6/672
 D697,345 S * 1/2014 Therrien D6/700
 D734,079 S * 7/2015 Roth D6/656.13
 D782,232 S * 3/2017 Procter D6/700
 2004/0188587 A1 * 9/2004 Michell A47B 19/002
 248/457
 2005/0012014 A1 * 1/2005 Willner A47B 19/10
 248/441.1
 2006/0016945 A1 * 1/2006 Taylor A47B 19/06
 248/188.5
 2006/0272481 A1 * 12/2006 Frank G10H 1/0008
 84/600
 2009/0050773 A1 * 2/2009 McCarty A47B 19/00
 248/441.1
 2011/0147560 A1 * 6/2011 Camarillo A47B 13/023
 248/371
 2011/0203495 A1 * 8/2011 McLaughlin A47B 91/024
 108/144.11

* cited by examiner



FIGURE 1

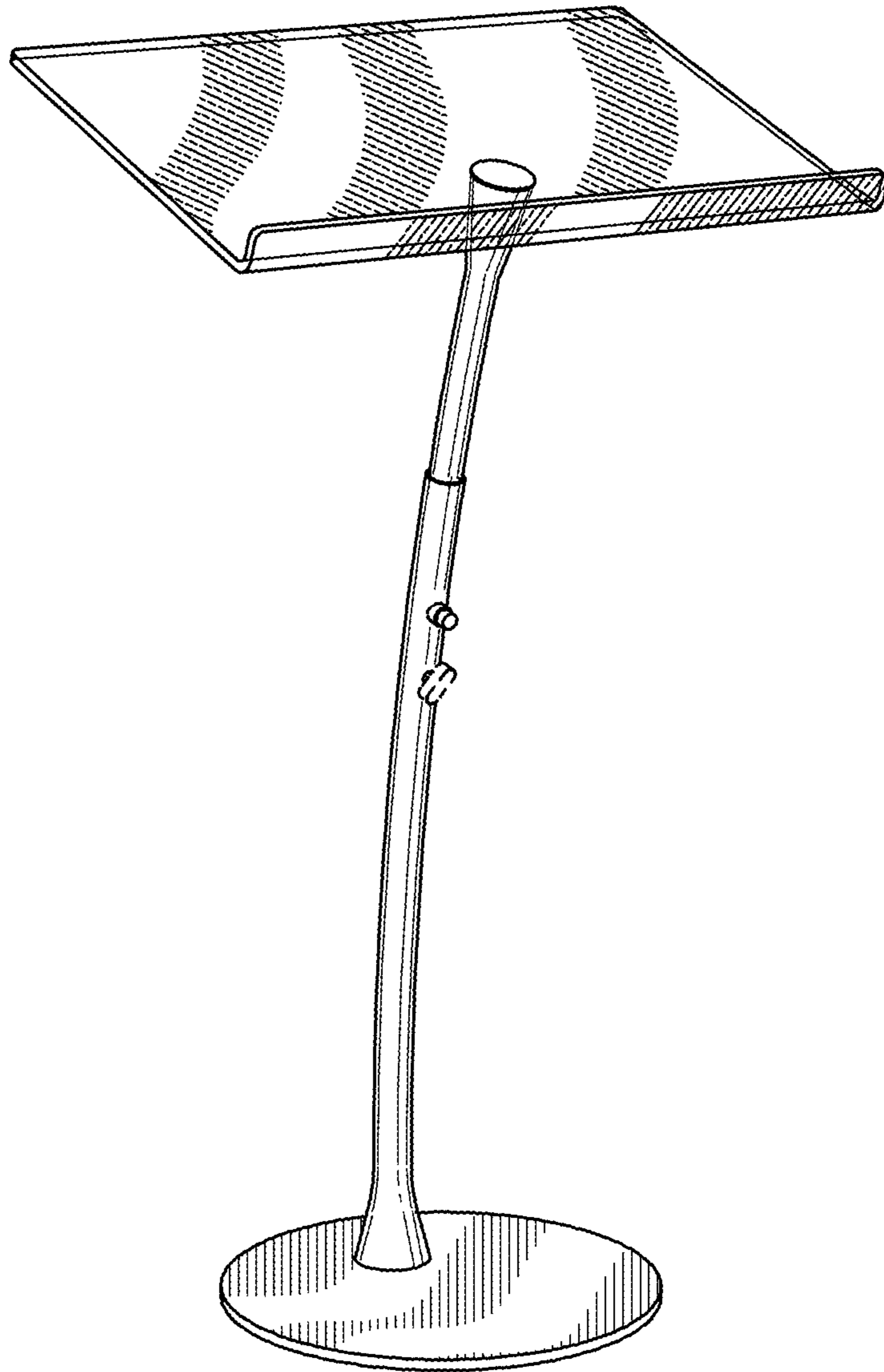


FIGURE 2

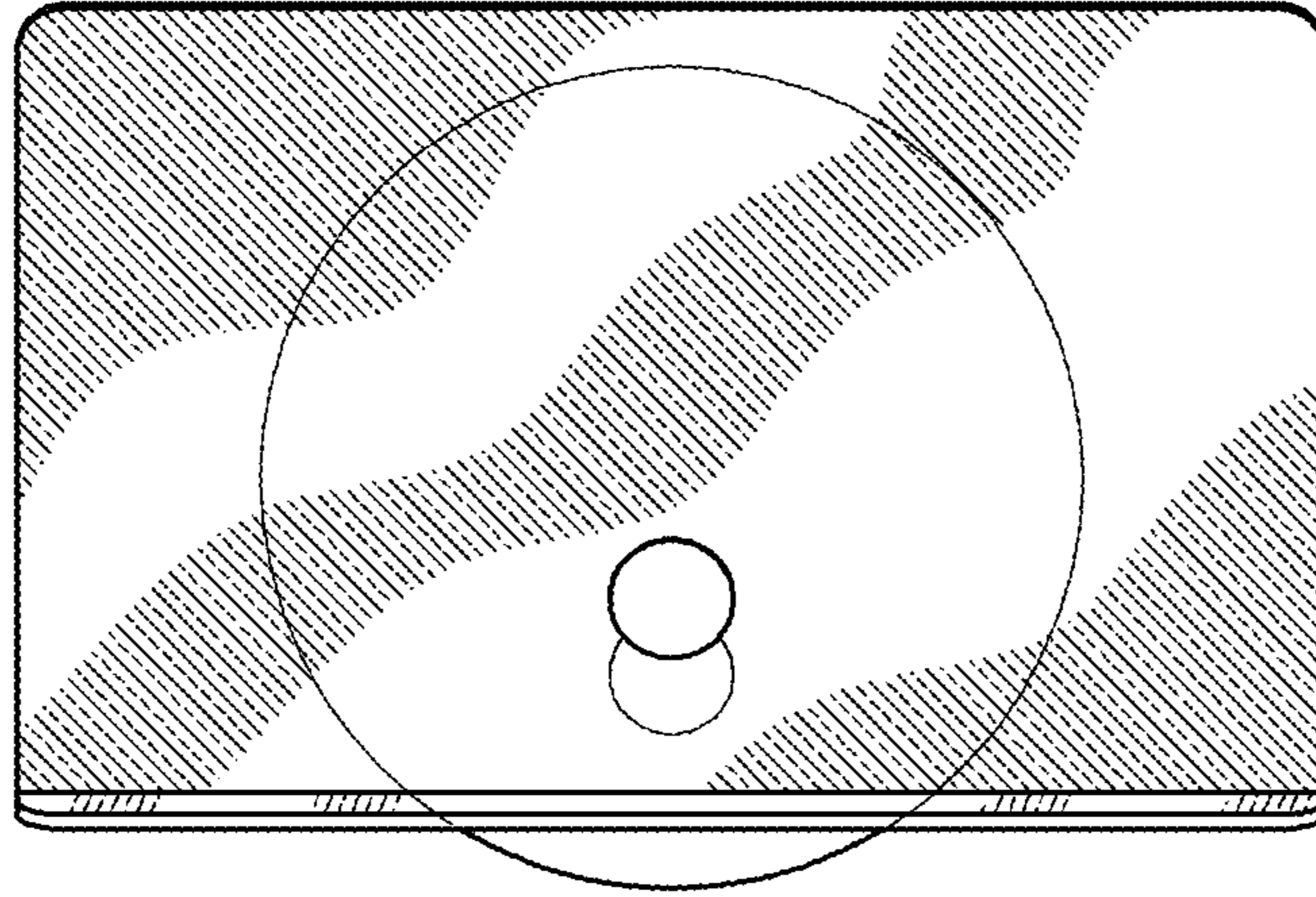


FIGURE 3

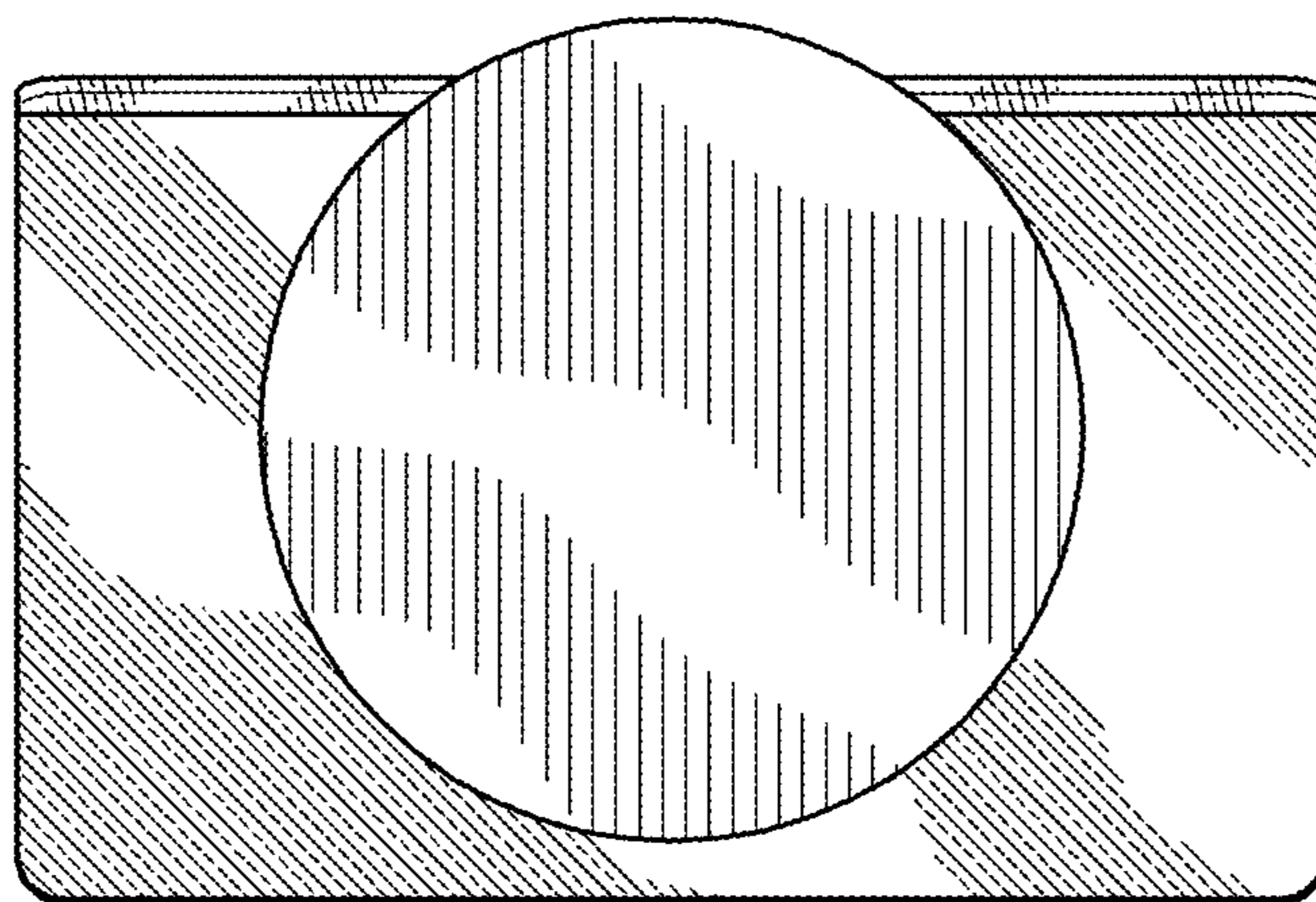


FIGURE 4

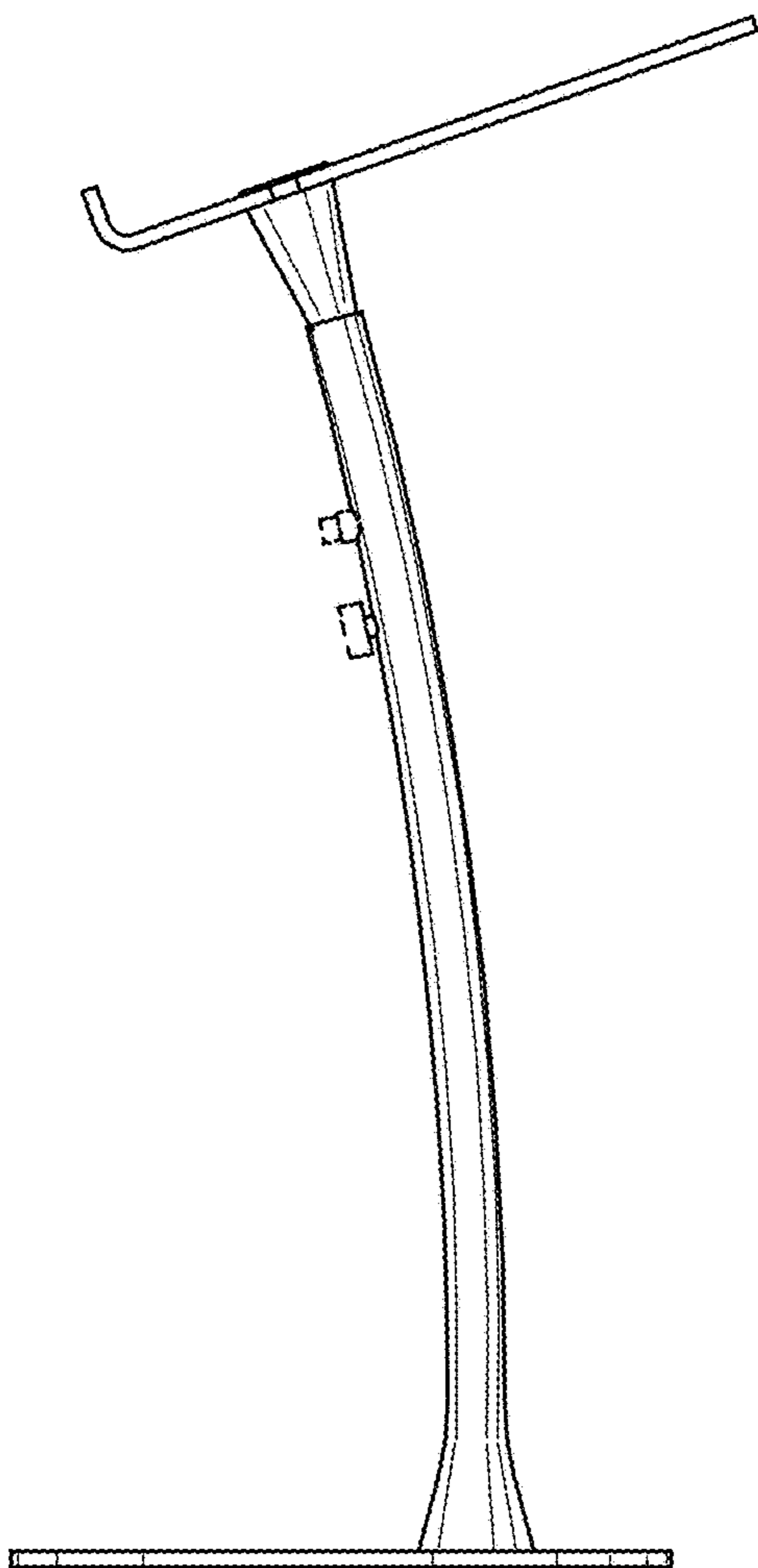


FIGURE 5

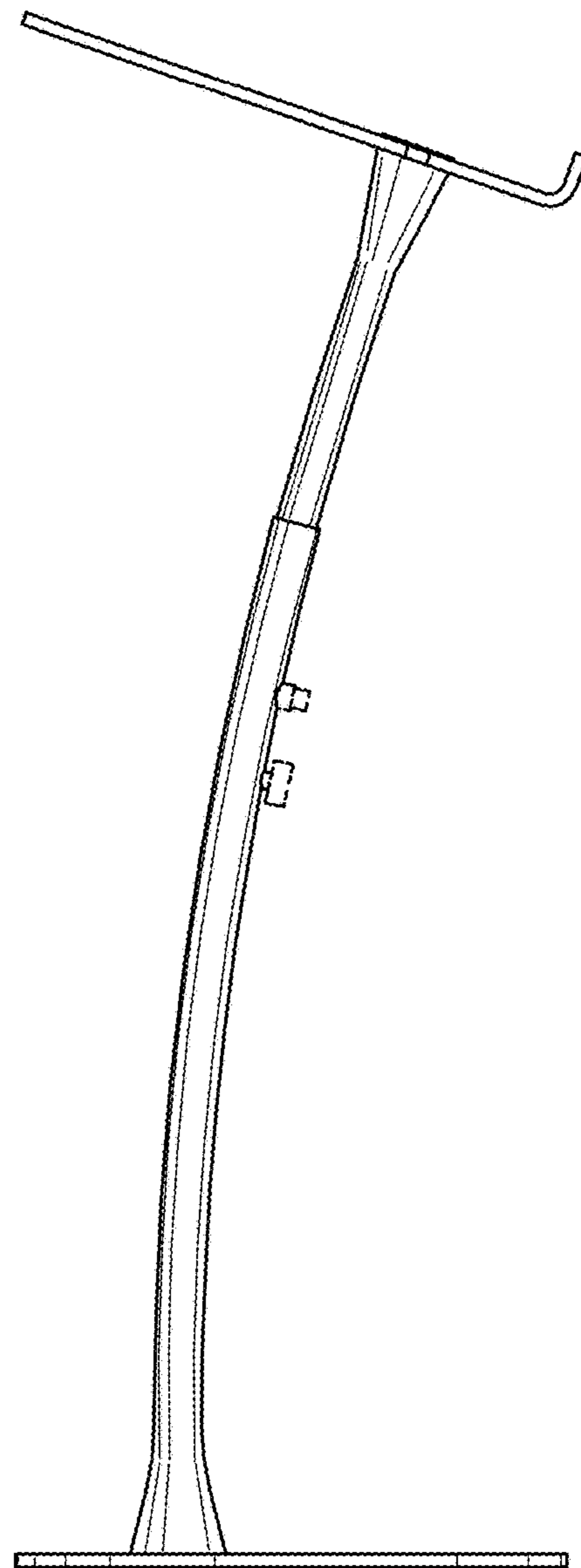


FIGURE 6

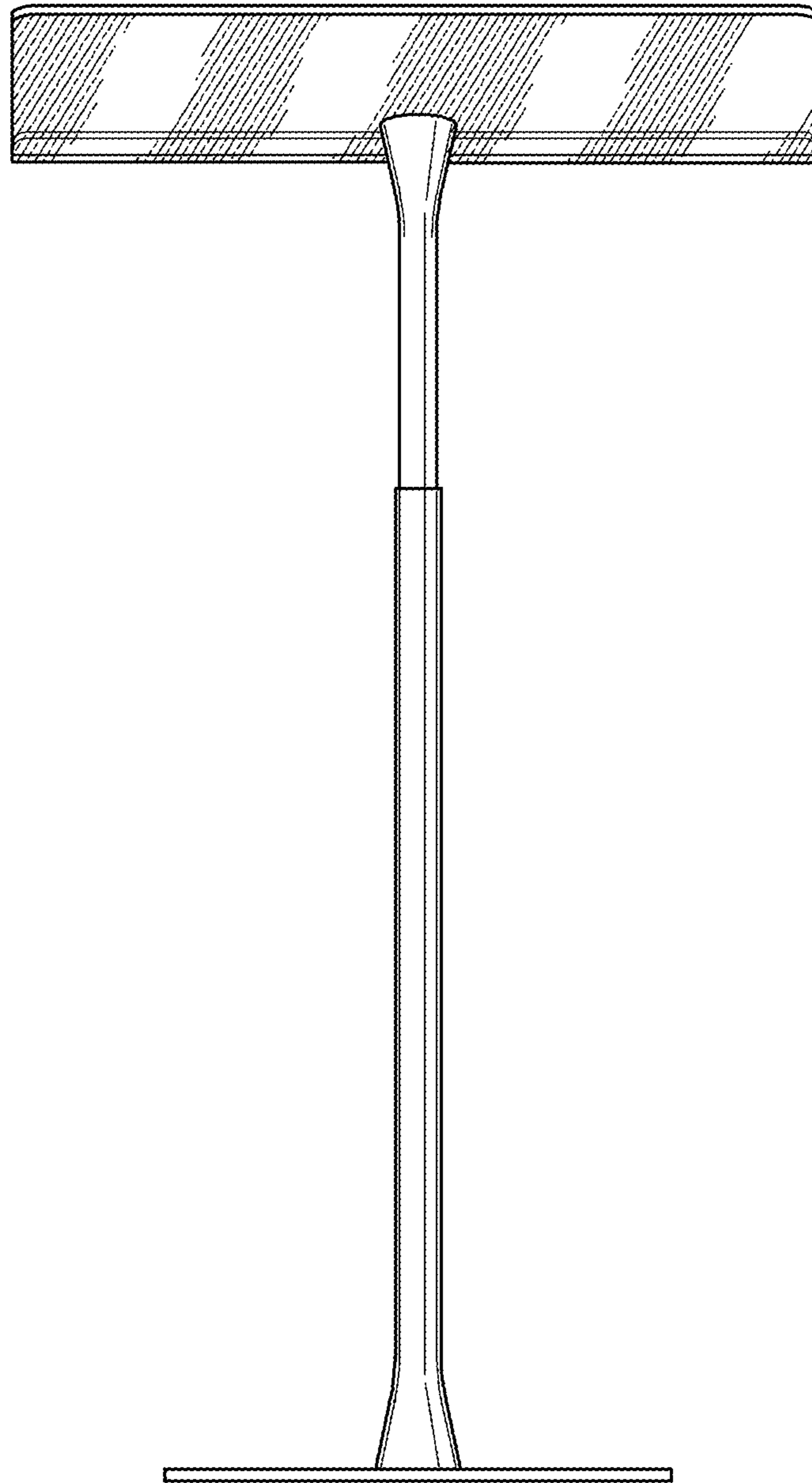


FIGURE 7

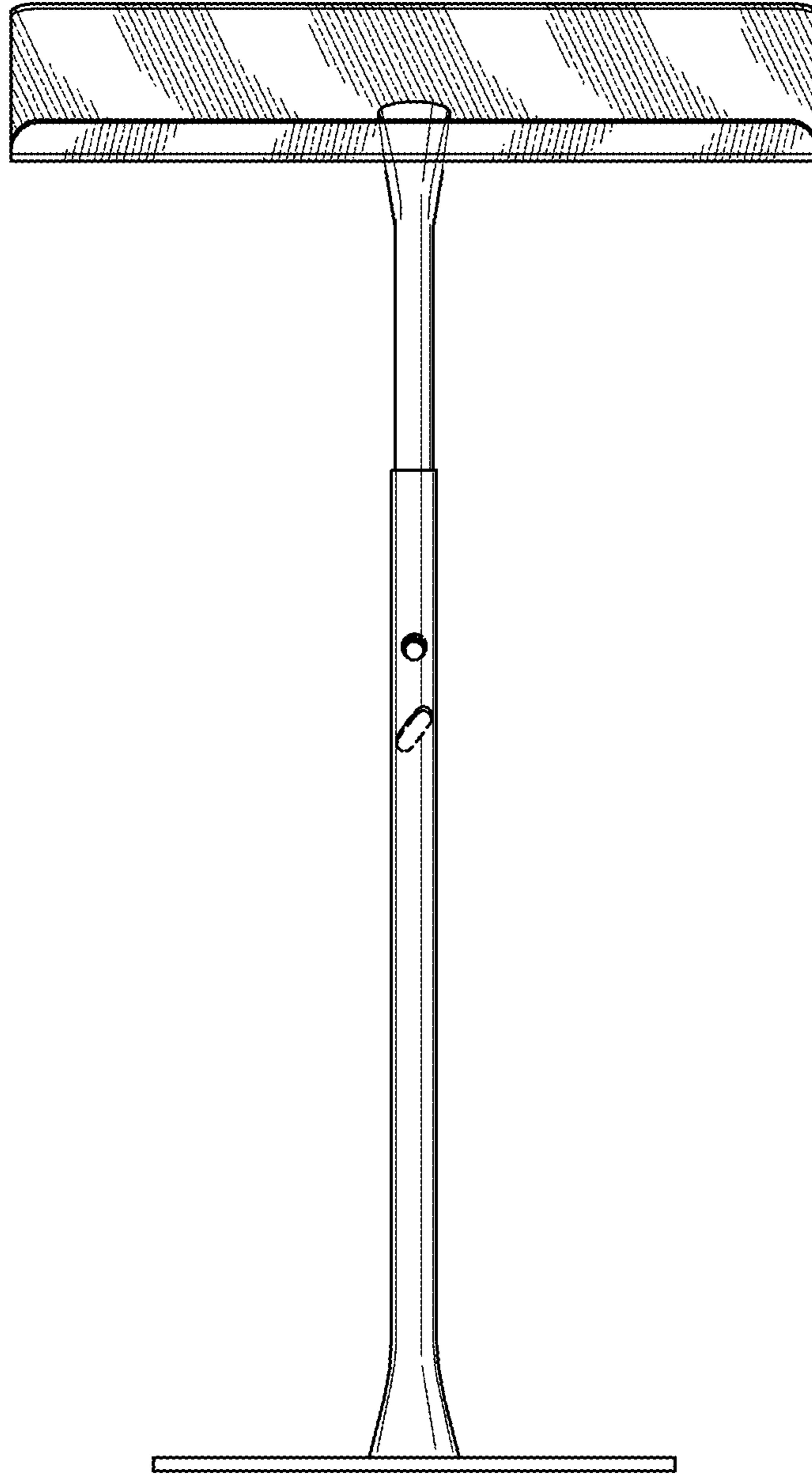


FIGURE 8

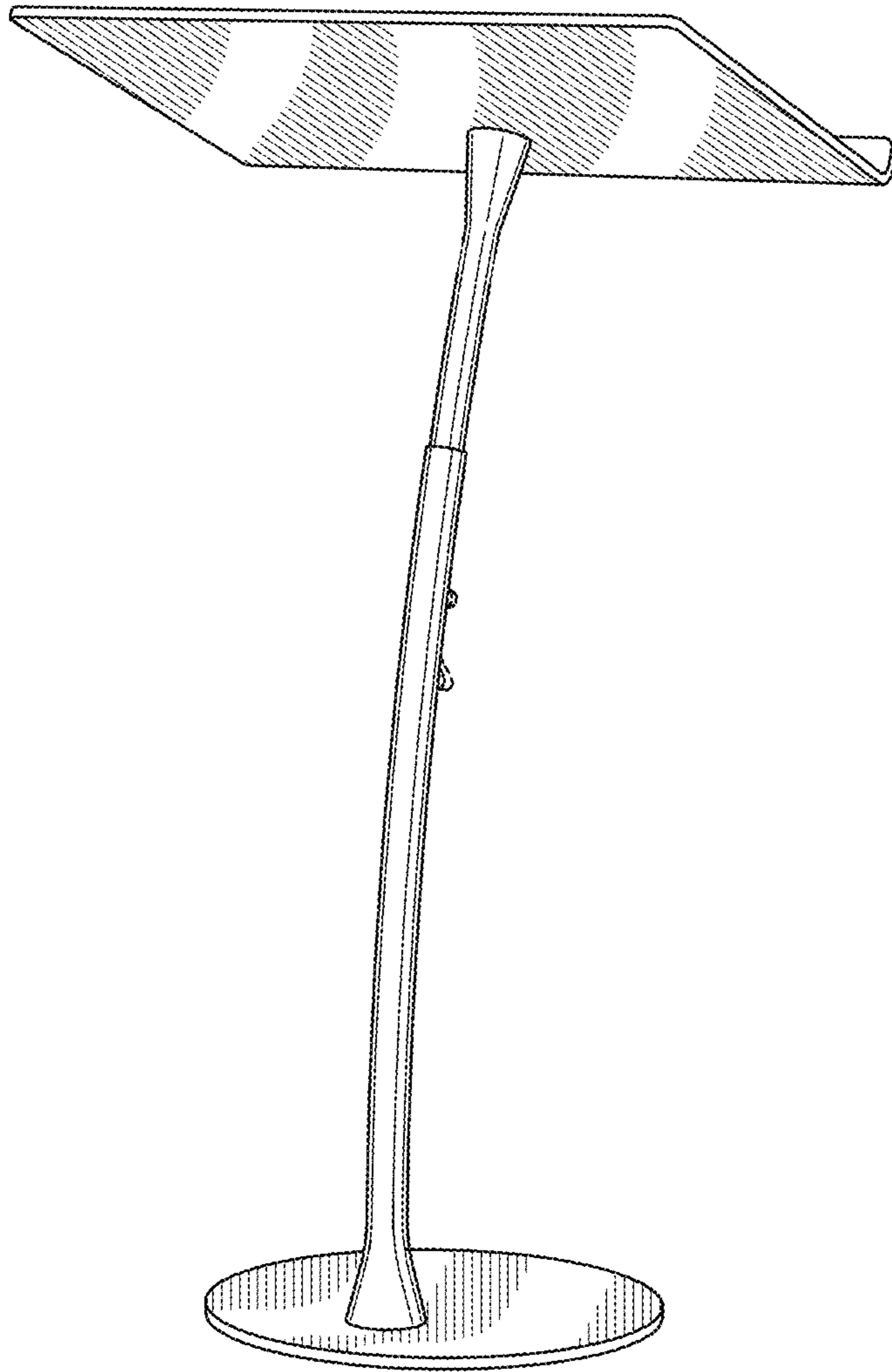


FIGURE 9

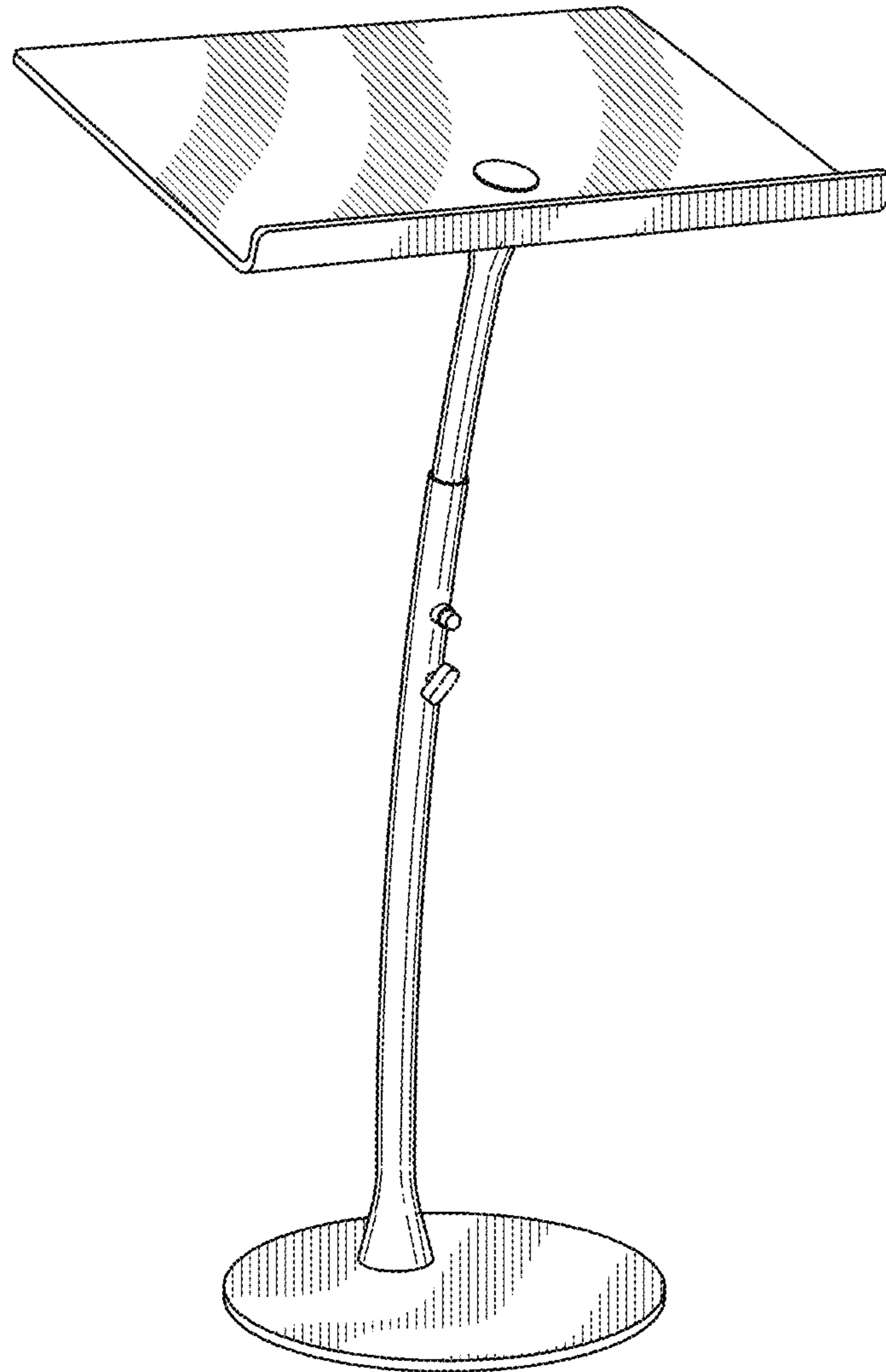


FIGURE 10

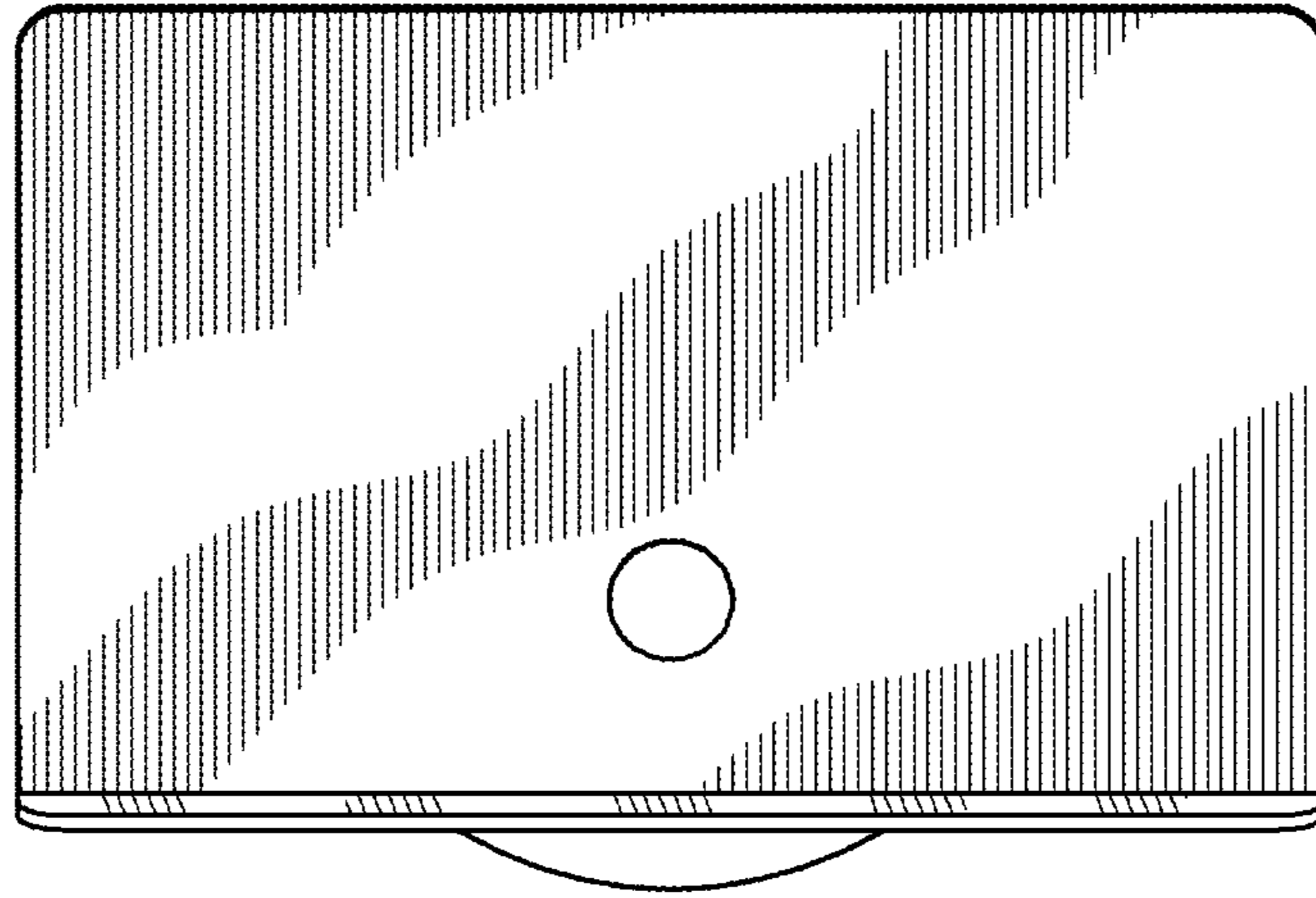


FIGURE 11

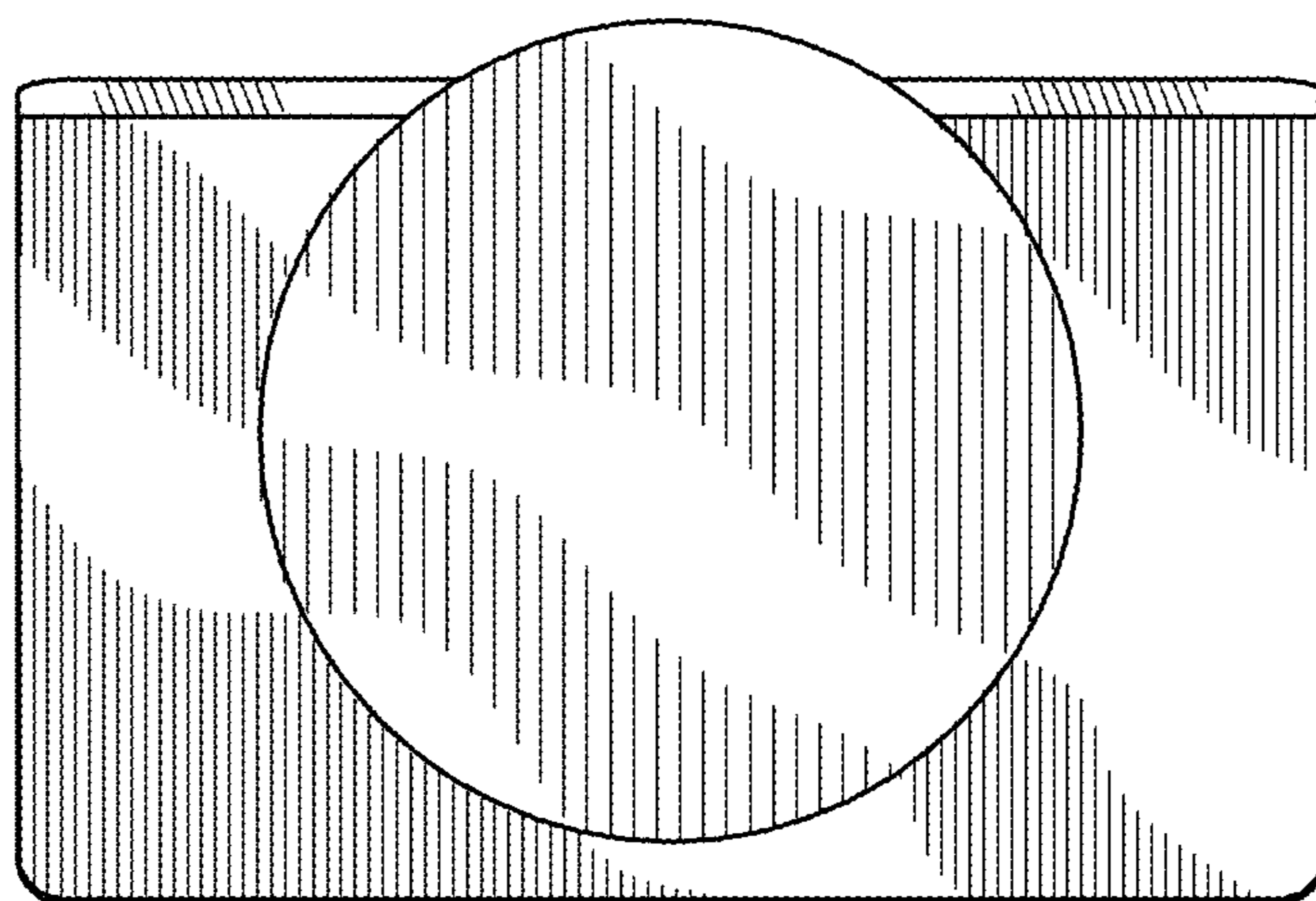


FIGURE 12

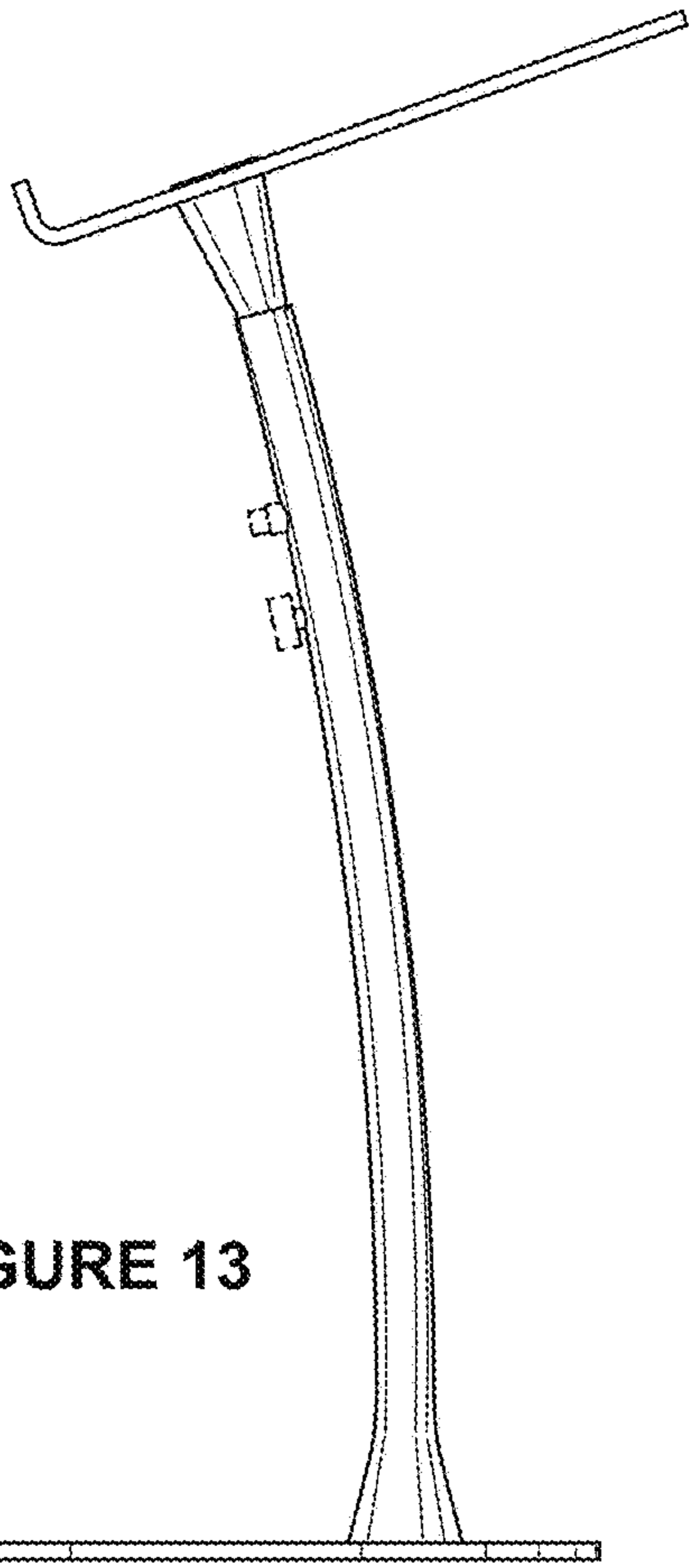


FIGURE 13

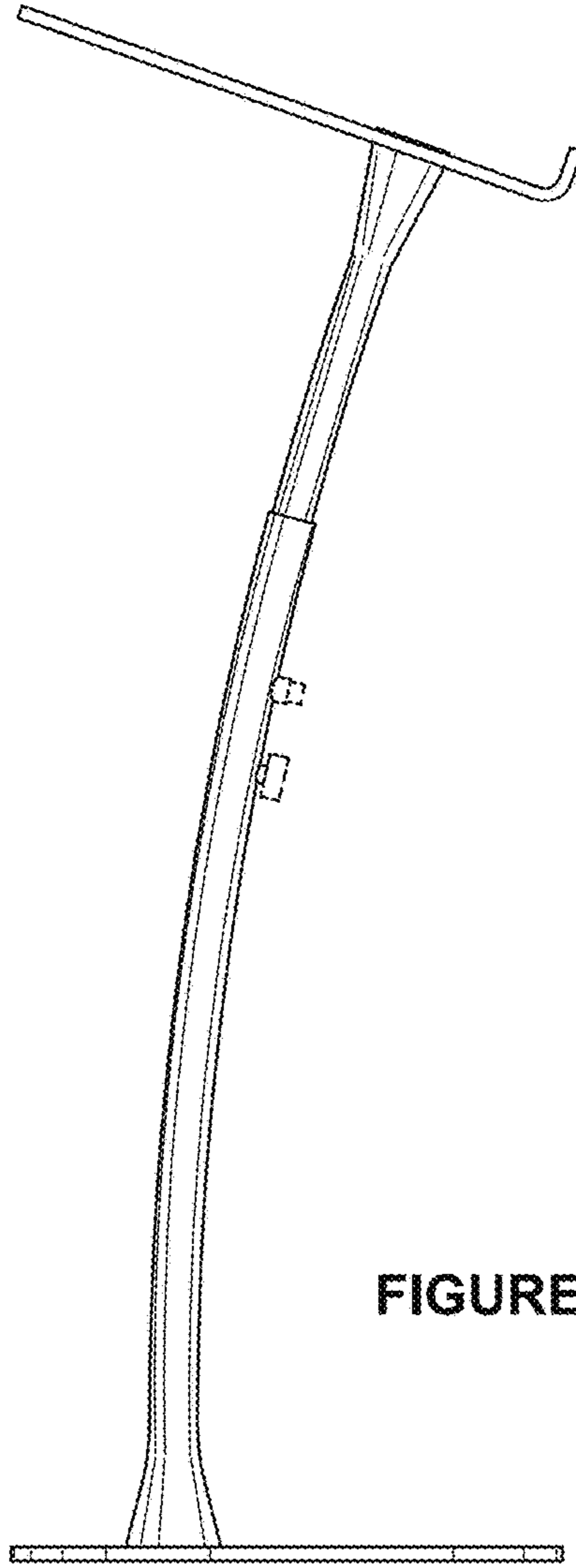


FIGURE 14

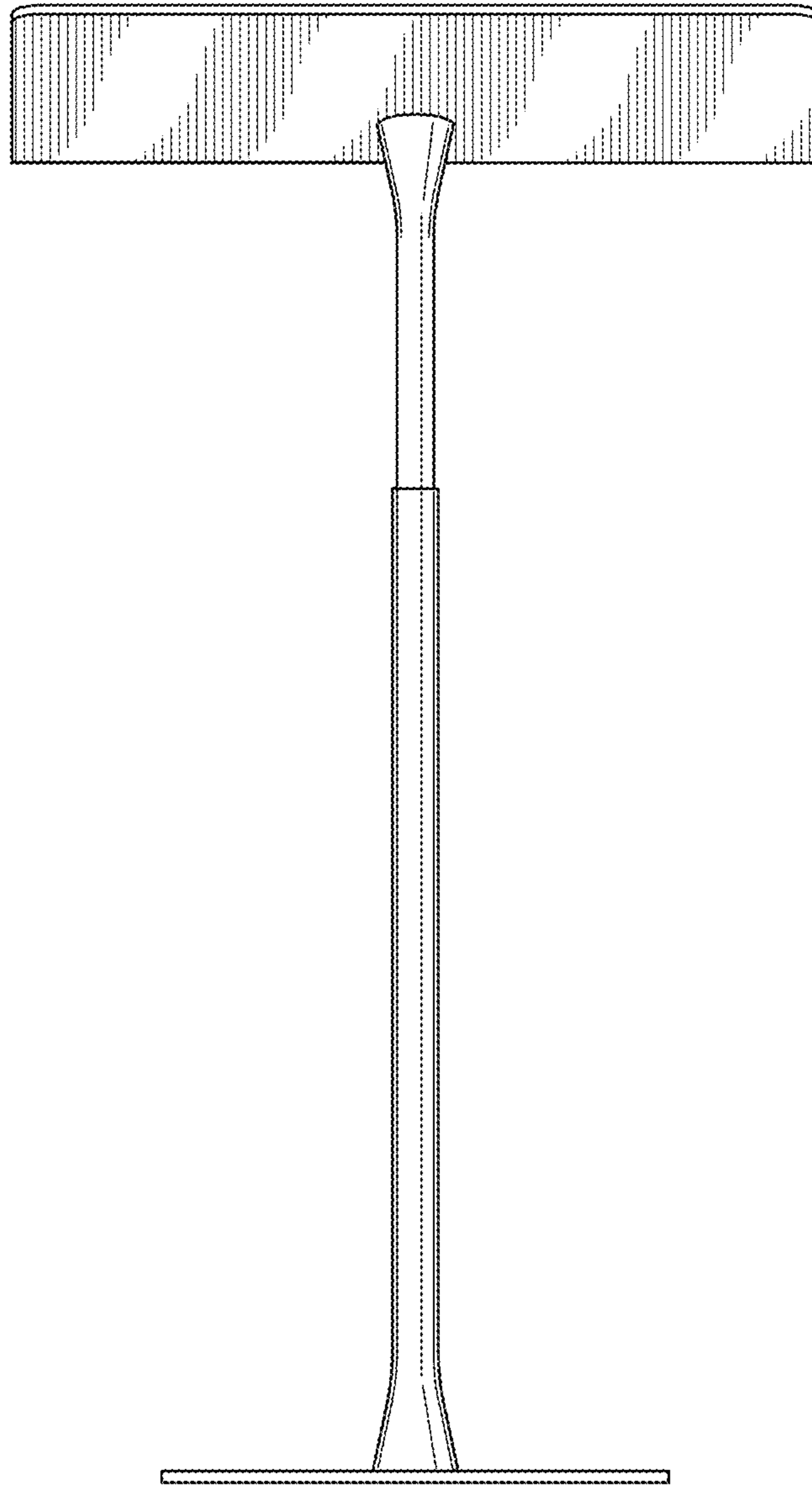


FIGURE 15

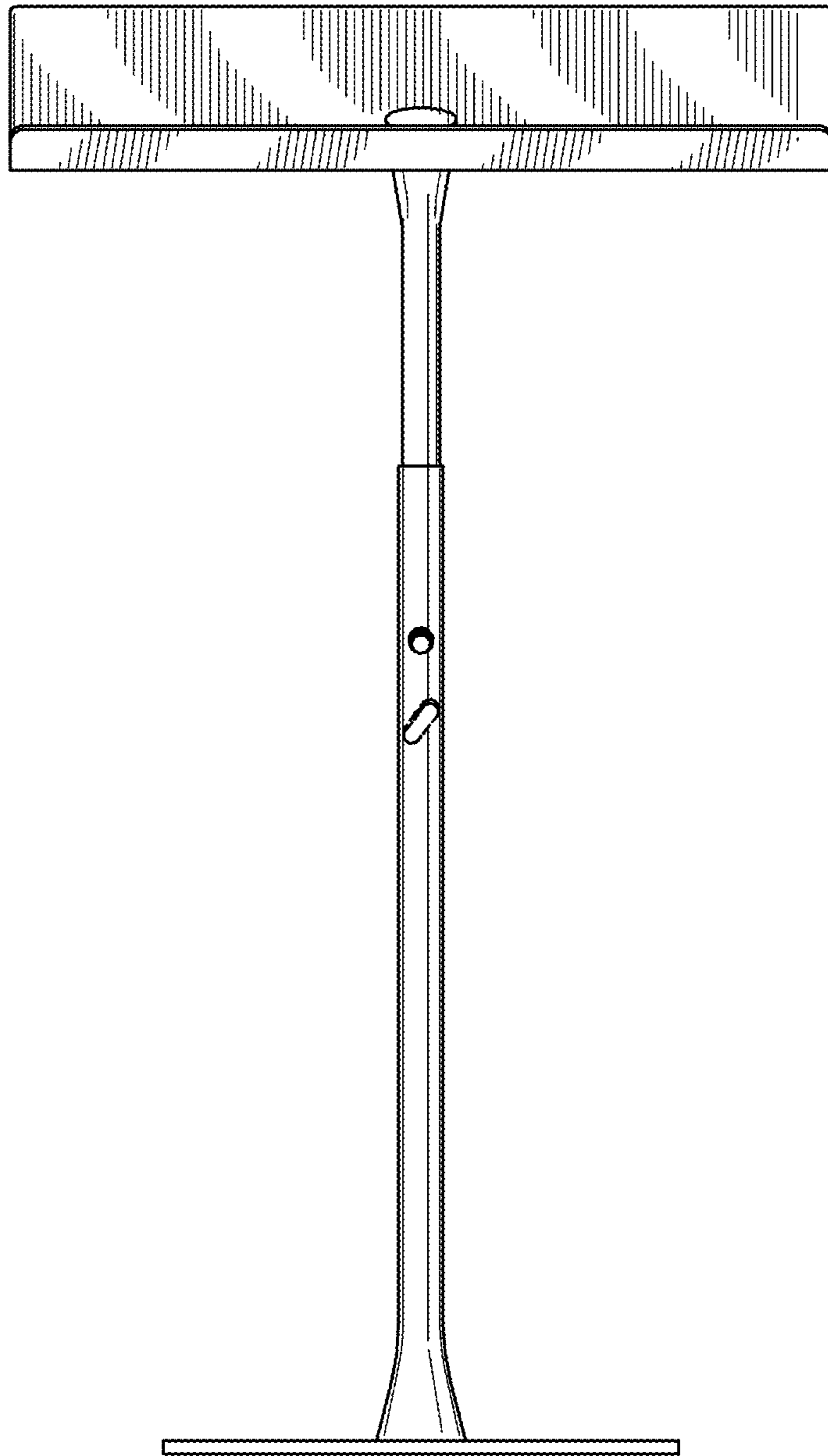


FIGURE 16