



US00D815475S

(12) **United States Design Patent** (10) **Patent No.:** **US D815,475 S**
Grossinger et al. (45) **Date of Patent:** **** Apr. 17, 2018**

(54) **TABLE**
(71) Applicant: **HOK Product Design, LLC**, Culver City, CA (US)
(72) Inventors: **Susan Grossinger**, Culver City, CA (US); **Brett Shwery**, Culver City, CA (US); **Javier Palomares**, Culver City, CA (US); **Junko Yamakawa**, Culver City, CA (US)
(73) Assignee: **HOK Product Design, LLC**, Culver City, CA (US)

(**) Term: **15 Years**
(21) Appl. No.: **29/545,104**
(22) Filed: **Nov. 10, 2015**

(30) **Foreign Application Priority Data**
May 11, 2015 (JP) 2015-010163
May 11, 2015 (JP) 2015-010164
(51) **LOC (11) Cl.** **06-03**
(52) **U.S. Cl.**
USPC **D6/692**
(58) **Field of Classification Search**
USPC D6/641, 656, 656.16, 656.17, 685, 692, D6/692.3, 692.4, 692.5, 707.2, 709.2, D6/709.17
CPC A47B 13/00; A47B 13/02; A47B 13/06; A47B 13/021; A47B 2200/0016; A47B 7/08; A47B 13/04; A47B 13/023; A47B 2009/006; A47B 2200/0001
See application file for complete search history.

(56) **References Cited**
U.S. PATENT DOCUMENTS
D200,412 S * 2/1965 Carr et al. D6/692
D218,903 S * 10/1970 Chichester et al. D6/691.8

D225,712 S * 1/1973 McDonald et al. D6/691
D228,106 S * 8/1973 Klotz et al. D6/691.6
D236,786 S * 9/1975 Smith et al. D6/691.1
D242,005 S * 10/1976 Faber et al. D6/692
D281,747 S * 12/1985 Berry, Jr. D6/692
D366,580 S * 1/1996 Berry, Jr. D6/692
D376,712 S * 12/1996 Mezger D6/656
D384,529 S * 10/1997 Muller D6/692
D384,839 S * 10/1997 Muller D6/692
D386,328 S * 11/1997 Good D6/691.7
D398,453 S * 9/1998 Stead D6/349
D403,898 S * 1/1999 Arnegger D6/691
D404,593 S * 1/1999 Oltmans D6/691
D415,371 S * 10/1999 Lewis D6/691
D585,669 S * 2/2009 Gharabegian D6/692.4

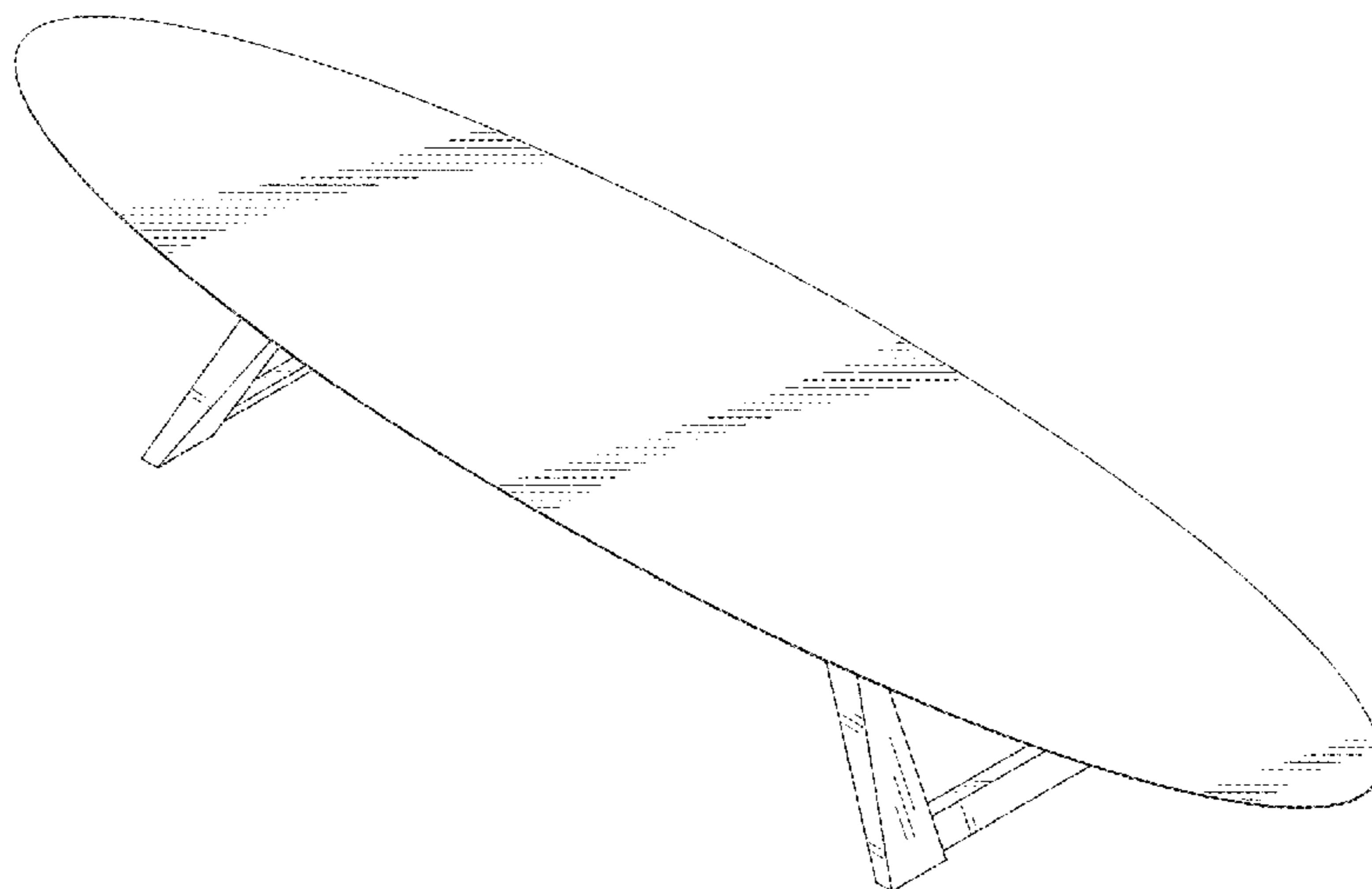
(Continued)

Primary Examiner — John Windmuller
Assistant Examiner — Steven J Czyz
(74) *Attorney, Agent, or Firm* — Sughrue Mion, PLLC

(57) **CLAIM**
The ornamental design for a table, as shown and described.

DESCRIPTION
FIG. 1 is a perspective view of a table;
FIG. 2 is a front elevation view thereof. A rear elevation view is identical to the front elevation view.
FIG. 3 is a right side elevation view thereof. A left side elevation view is identical to the right side elevation view.
FIG. 4 is a top plan view thereof.
FIG. 5 is a bottom plan view thereof.
FIG. 6 is an enlarged cross-sectional view taken along the line 6-6 in FIG. 2.
FIG. 7 is an enlarged cross-sectional view taken along the line 7-7 in FIG. 2.
FIG. 8 is an enlarged cross-sectional view taken along the line 8-8 in FIG. 3; and,
FIG. 9 is an enlarged cross-sectional view taken along the line 9-9 in FIG. 3.

1 Claim, 9 Drawing Sheets



(56)

References Cited

U.S. PATENT DOCUMENTS

D588,380	S	*	3/2009	Bucholz	D6/691.5
D593,769	S	*	6/2009	Jeup	D6/656
D604,063	S	*	11/2009	Oshinomi	D6/656.16
D608,568	S	*	1/2010	Manz	D6/691.5
D662,335	S	*	6/2012	Schultz	D6/691.8
D668,893	S	*	10/2012	Lehman-Smith	D6/708
D685,216	S	*	7/2013	Stromborg	D6/708
D708,461	S	*	7/2014	Starck	D6/691
D727,644	S	*	4/2015	Sorel	D6/349
D730,071	S	*	5/2015	Sorel	D6/349
D734,631	S	*	7/2015	Velez	D6/349
D765,450	S	*	9/2016	Biddle	D6/691
D775,880	S	*	1/2017	Grossinger	D6/692

* cited by examiner

FIG. 1

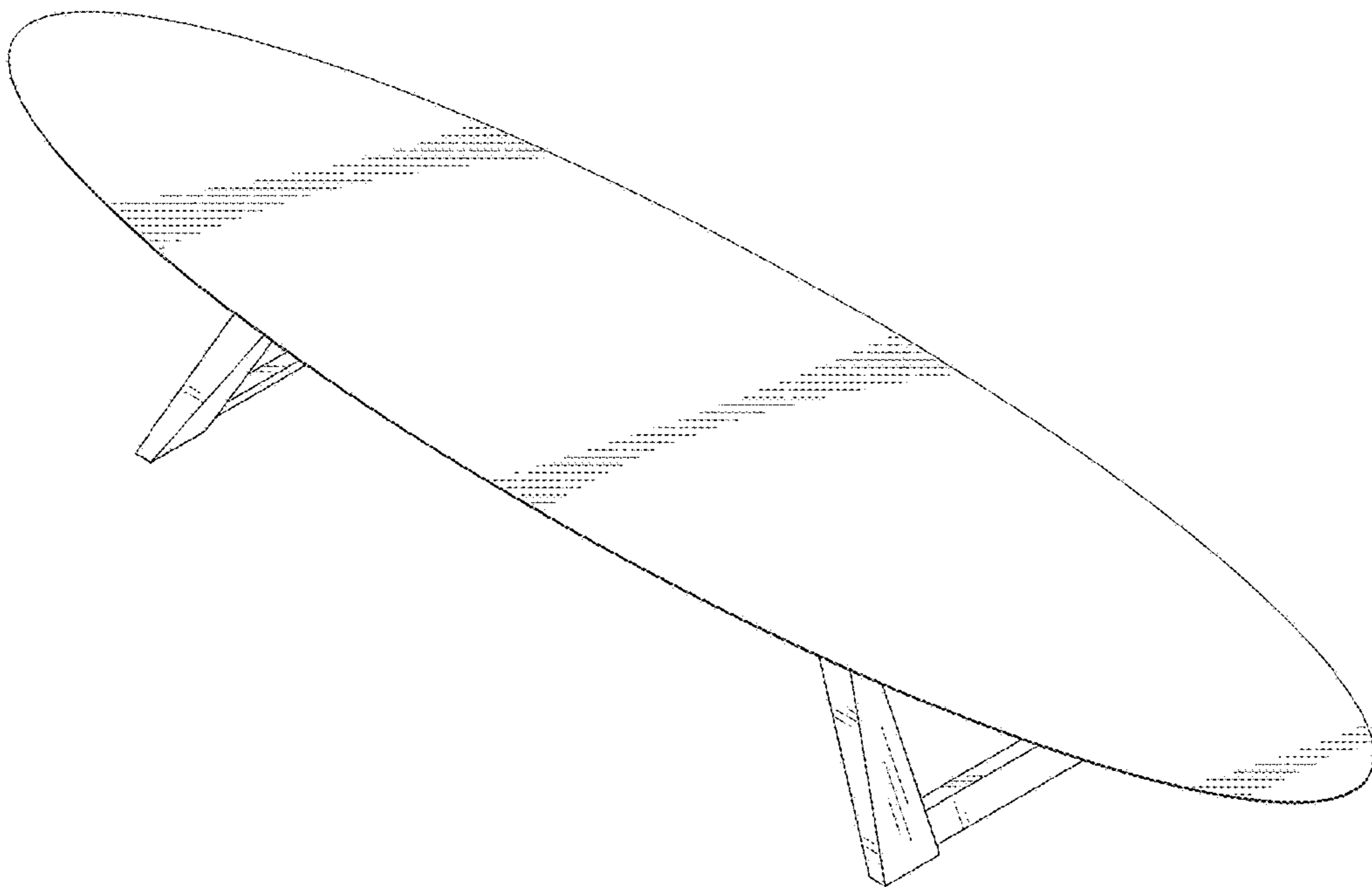


FIG. 2

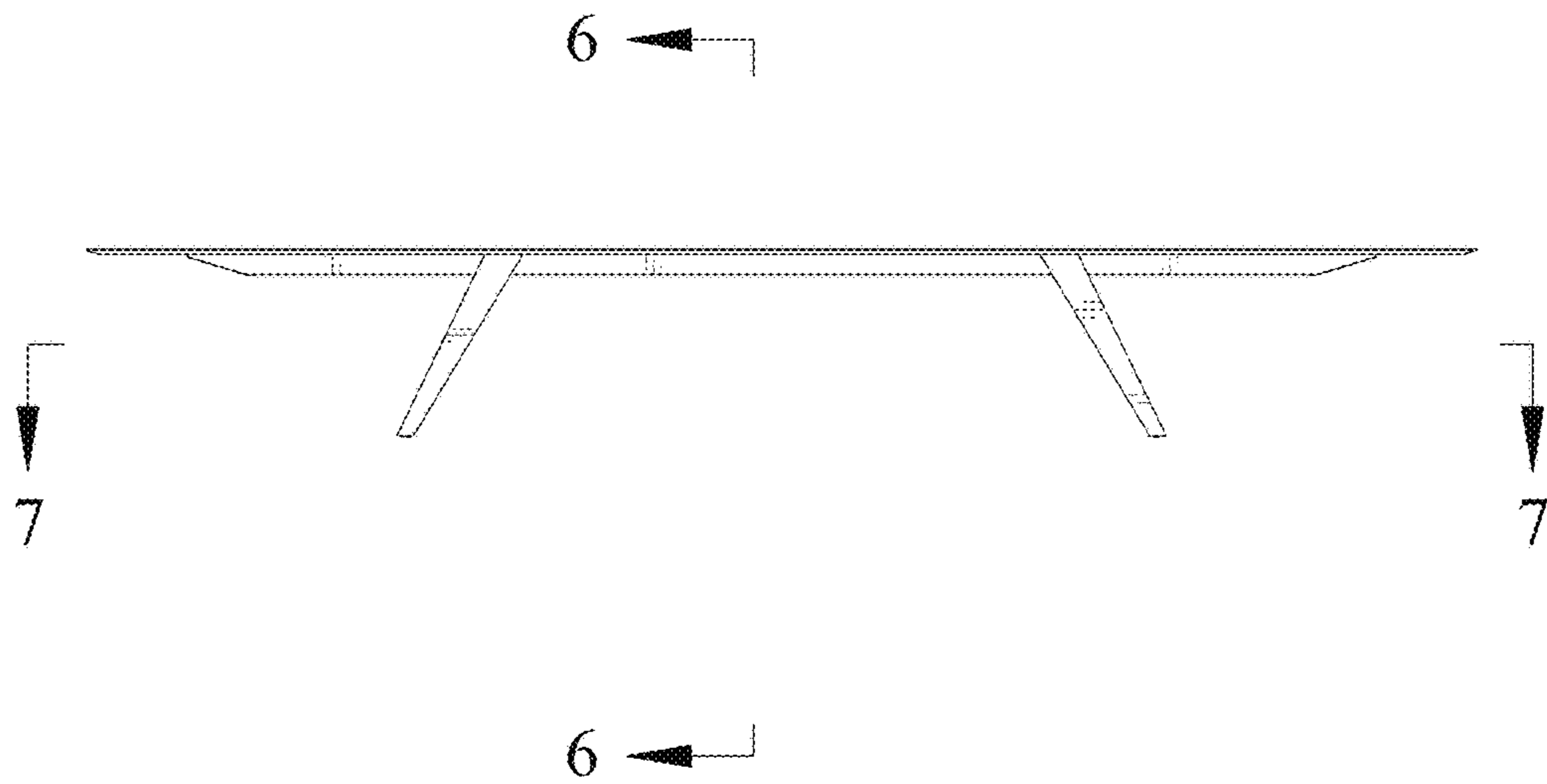


FIG. 3

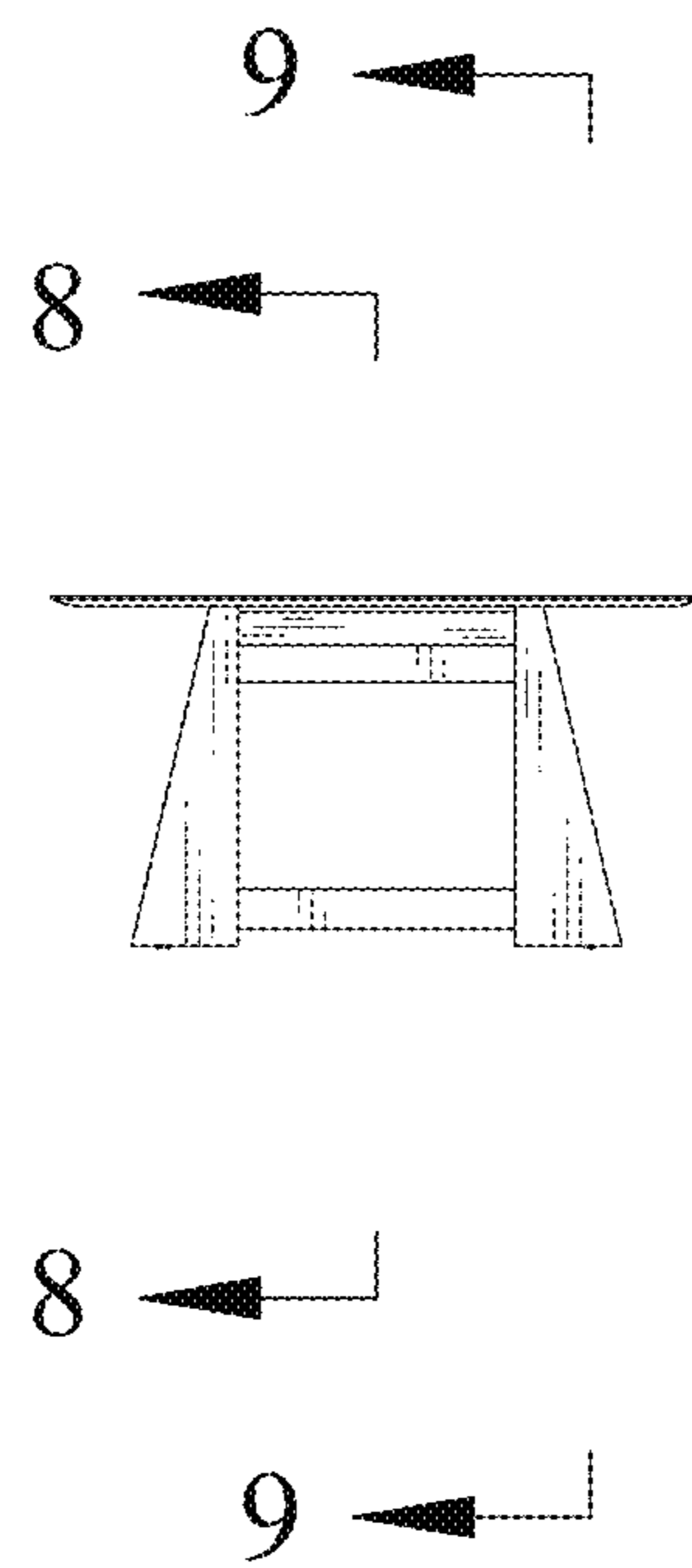


FIG. 4

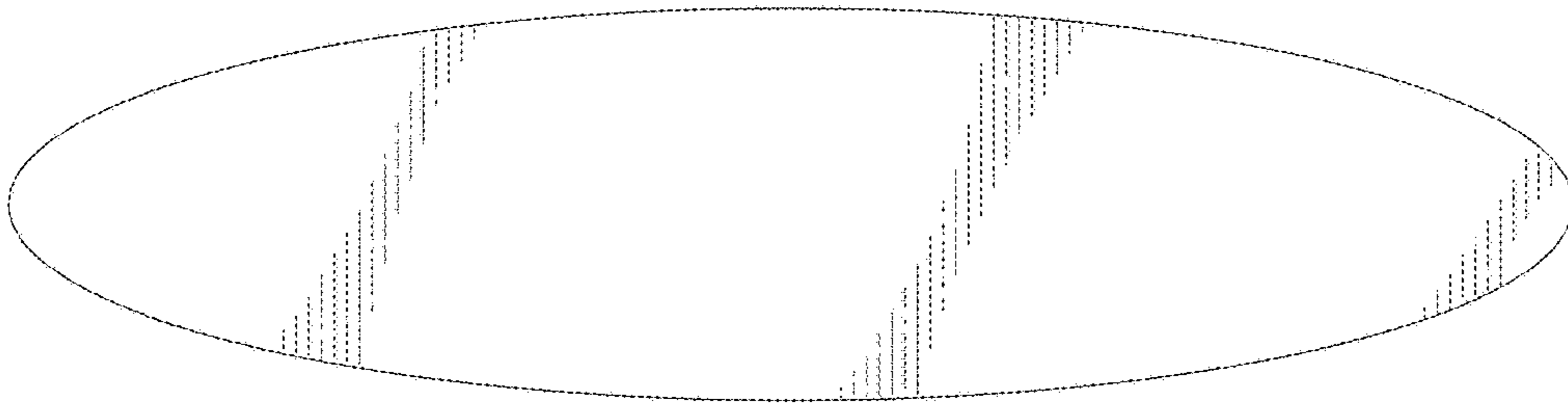


FIG. 5

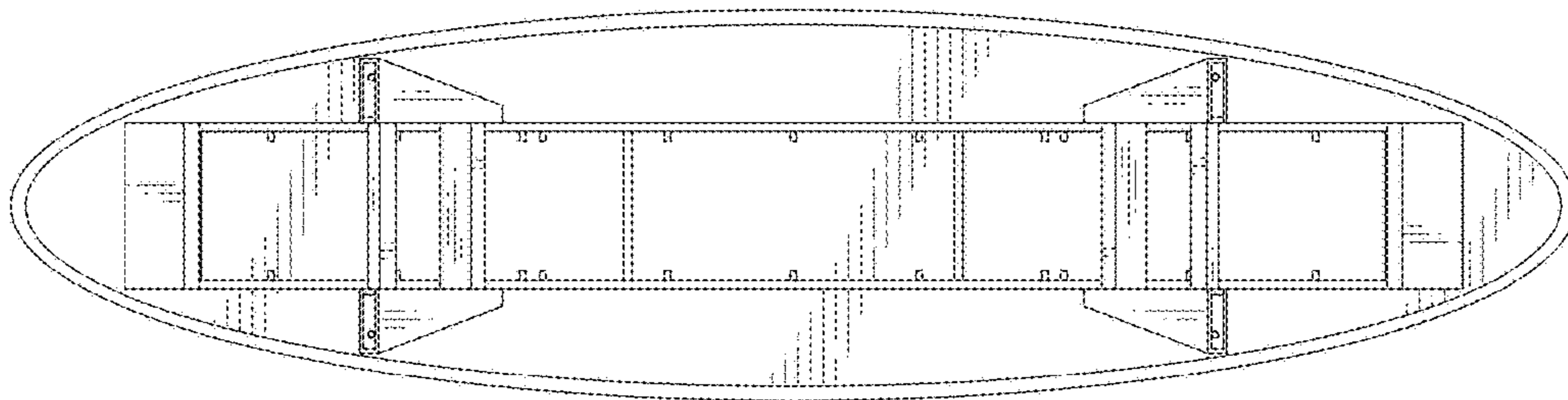


FIG. 6

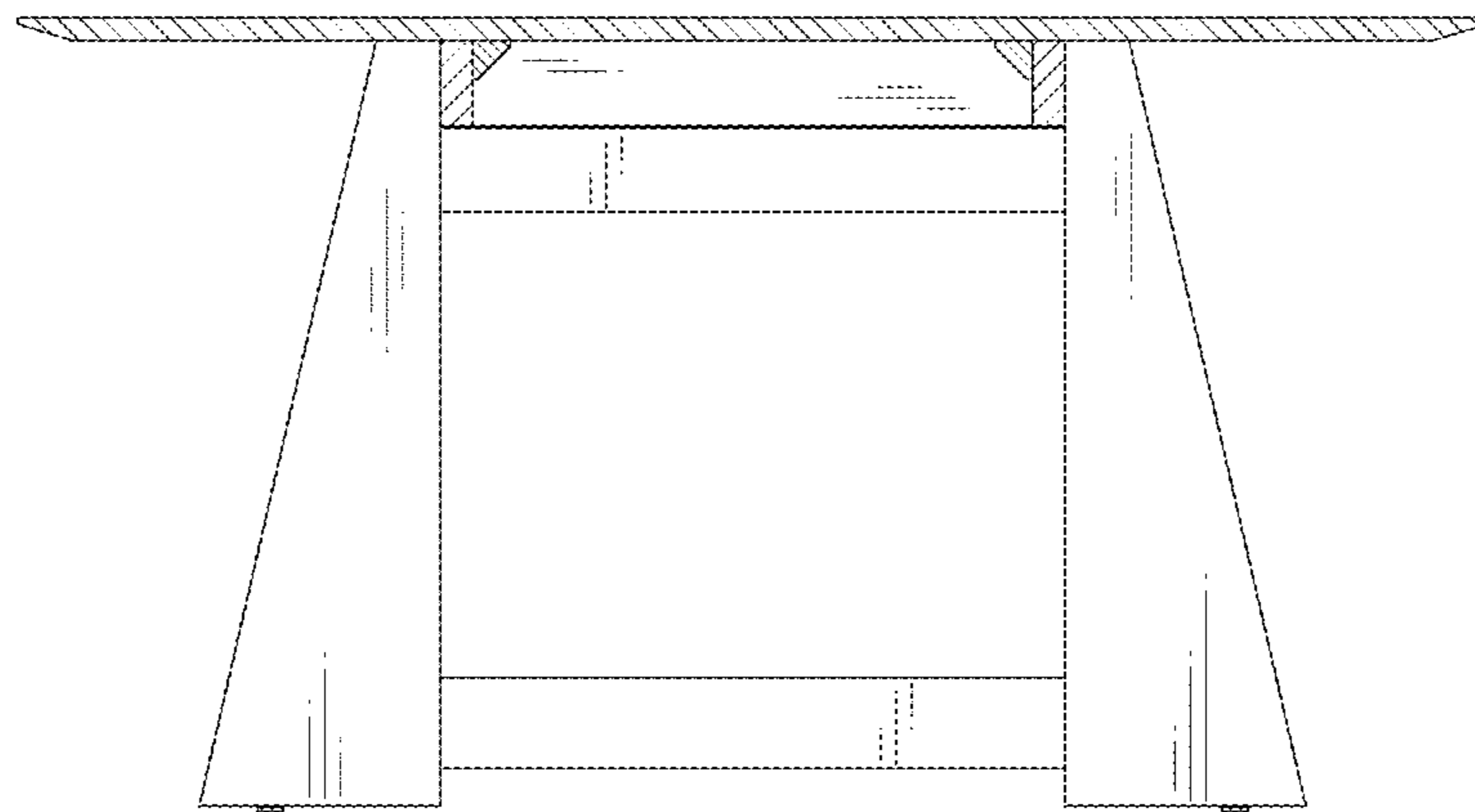


FIG. 7

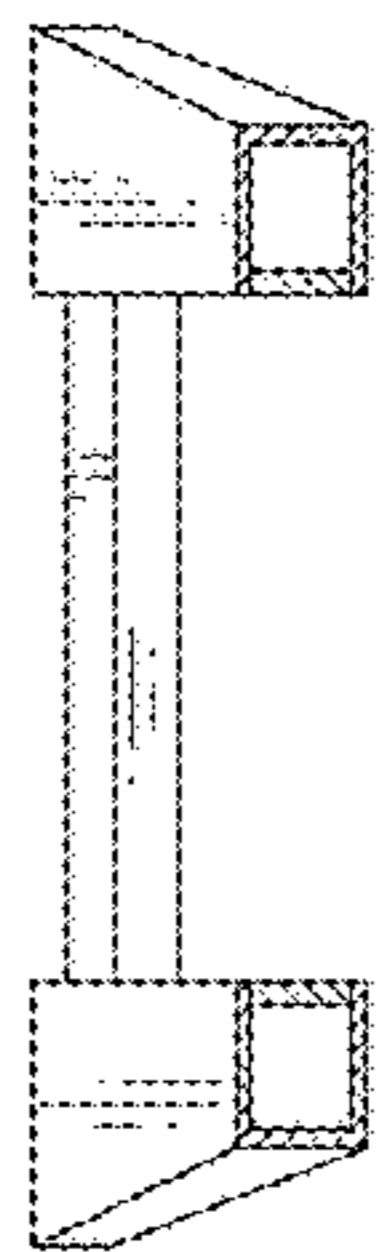


FIG. 8

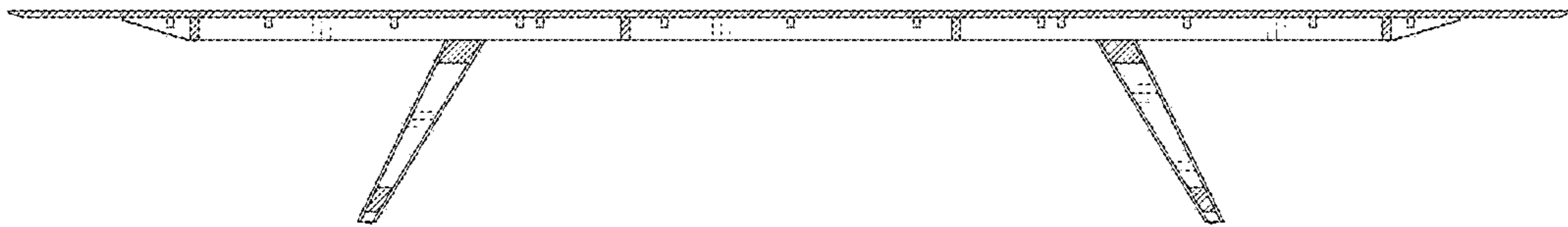


FIG. 9

