



US00D815473S

(12) **United States Design Patent** (10) **Patent No.:** **US D815,473 S**  
**Westergård et al.** (45) **Date of Patent:** **\*\* Apr. 17, 2018**

(54) **FOLDING TABLE** 3,387,573 A \* 6/1968 Dean ..... A47B 9/16  
108/117  
(71) Applicant: **FREEDESK AB**, Bjärred (SE) D445,604 S \* 7/2001 Jeup ..... D6/691  
D546,588 S \* 7/2007 Massaud ..... D6/691  
(72) Inventors: **Stefan Westergård**, Bjärred (SE);  
**Martin Stark**, Veberöd (SE); **John**  
**Stangdell**, Tyresö (SE); **Patrik**  
**Bruzelius**, Bjärred (SE) 9,161,616 B1 \* 10/2015 Arishenkoff ..... A47B 9/16  
9,326,598 B1 \* 5/2016 West ..... A47B 3/02  
D781,619 S \* 3/2017 Flaherty ..... D6/655  
2005/0039643 A1 \* 2/2005 Dailey ..... A61B 6/0407  
108/132  
(\*\*) Term: **15 Years** 2013/0139736 A1 \* 6/2013 Flaherty ..... A47B 9/18  
108/106

(21) Appl. No.: **35/501,456**

(22) Filed: **Aug. 4, 2016**

(80) **Hague Agreement Data**

Int. Filing Date: **Aug. 4, 2016**

Int. Reg. No.: **DM/092081**

Int. Reg. Date: **Aug. 4, 2016**

Int. Reg. Pub. Date: **Sep. 2, 2016**

(51) **LOC (11) Cl.** ..... **06-03**

(52) **U.S. Cl.**  
USPC ..... **D6/686; D6/691**

(58) **Field of Classification Search**

USPC .... D6/641, 656, 685, 690, 691.1-691.9, 686  
CPC .. A47B 3/00; A47B 3/02; A47B 3/002; A47B  
3/006; A47B 3/08; A47B 3/0809; A47B  
3/12; A47B 2003/006; A47B 2003/008;  
A47B 2003/0821; A47B 2003/0835;  
A47B 7/00; A47B 9/16; A47B 11/00;  
A47B 13/00; A47B 13/081; A47B 13/02;  
A47B 21/00; A47B 21/0073; A47B  
21/02; A47B 2200/0011; A47B  
2200/0035

See application file for complete search history.

(56) **References Cited**

**U.S. PATENT DOCUMENTS**

2,624,469 A \* 1/1953 Adamson ..... A47B 3/02  
108/116  
2,766,088 A \* 10/1956 Jackson ..... A47B 9/18  
108/138

**OTHER PUBLICATIONS**

Sprinboard, springboardworkshop.com, Aug. 2, 2016.

(Continued)

*Primary Examiner* — Mary Ann Calabrese

(57) **CLAIM**

The ornamental design for a folding table, as shown and described.

**DESCRIPTION**

1.-2. Folding tables

**1.1** : Perspective

**1.2** : Top

**1.3** : Bottom

**1.4** : Front

**1.5** : Back

**1.6** : Left

**1.7** : Right

**2.1** : Perspective

**2.2** : Top

**2.3** : Bottom

**2.4** : Front

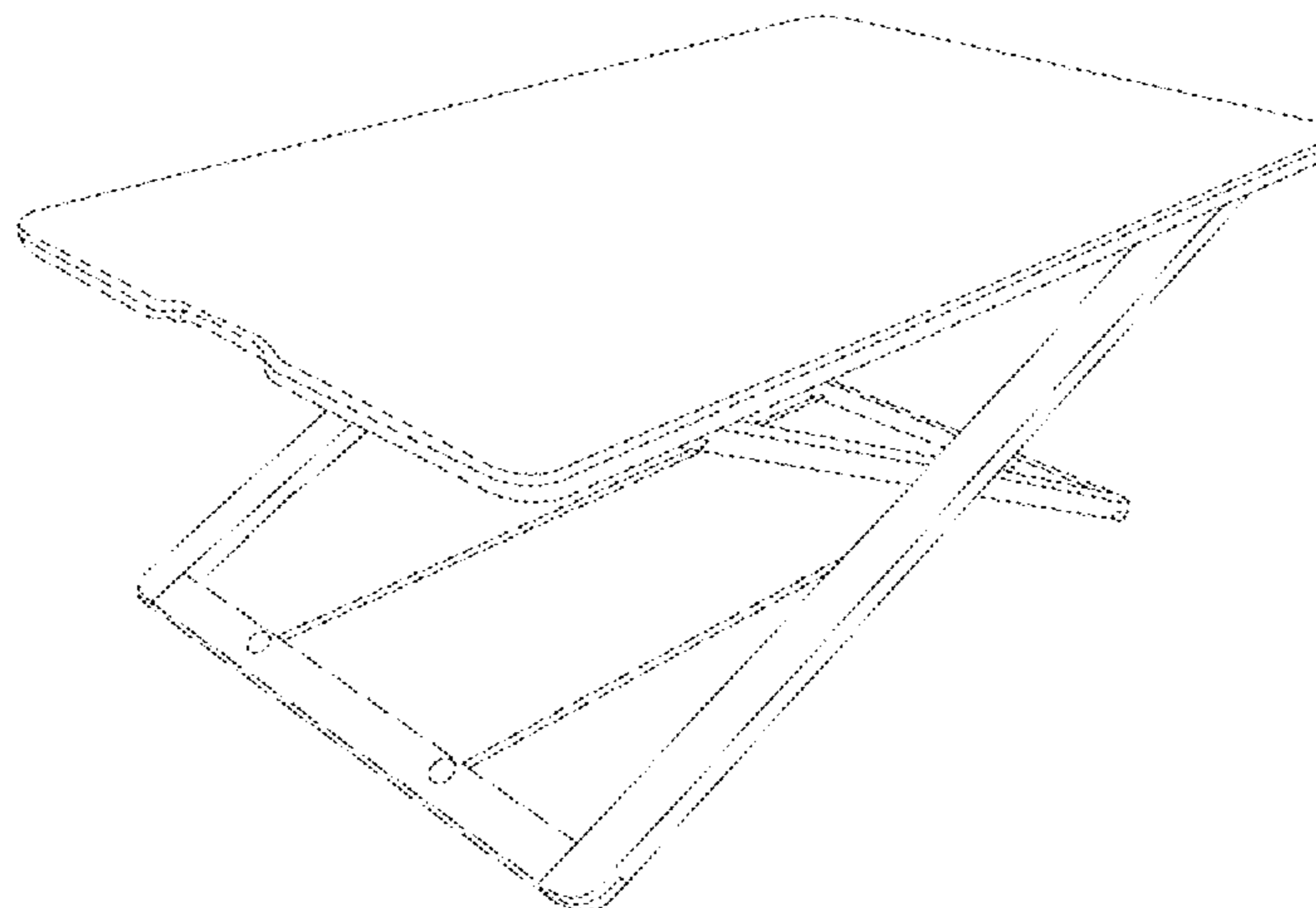
**2.5** : Back

**2.6** : Left

**2.7** : Right

The portions of the folding table shown in broken lines form no part of the claimed design.

**1 Claim, 14 Drawing Sheets**



(56)

**References Cited**

OTHER PUBLICATIONS

Varidesk Soho. Compact variant, Aug. 4, 2016 [uk.varidesk.com/laptop-standing-desk-VARIDESK-for-laptop](http://uk.varidesk.com/laptop-standing-desk-VARIDESK-for-laptop), Aug. 4, 2016.

Jörgen Möller design, [www.bonluxat.com/a/Jorgen\\_Molier\\_Tray\\_Table.htm](http://www.bonluxat.com/a/Jorgen_Molier_Tray_Table.htm), Aug. 4, 2016.

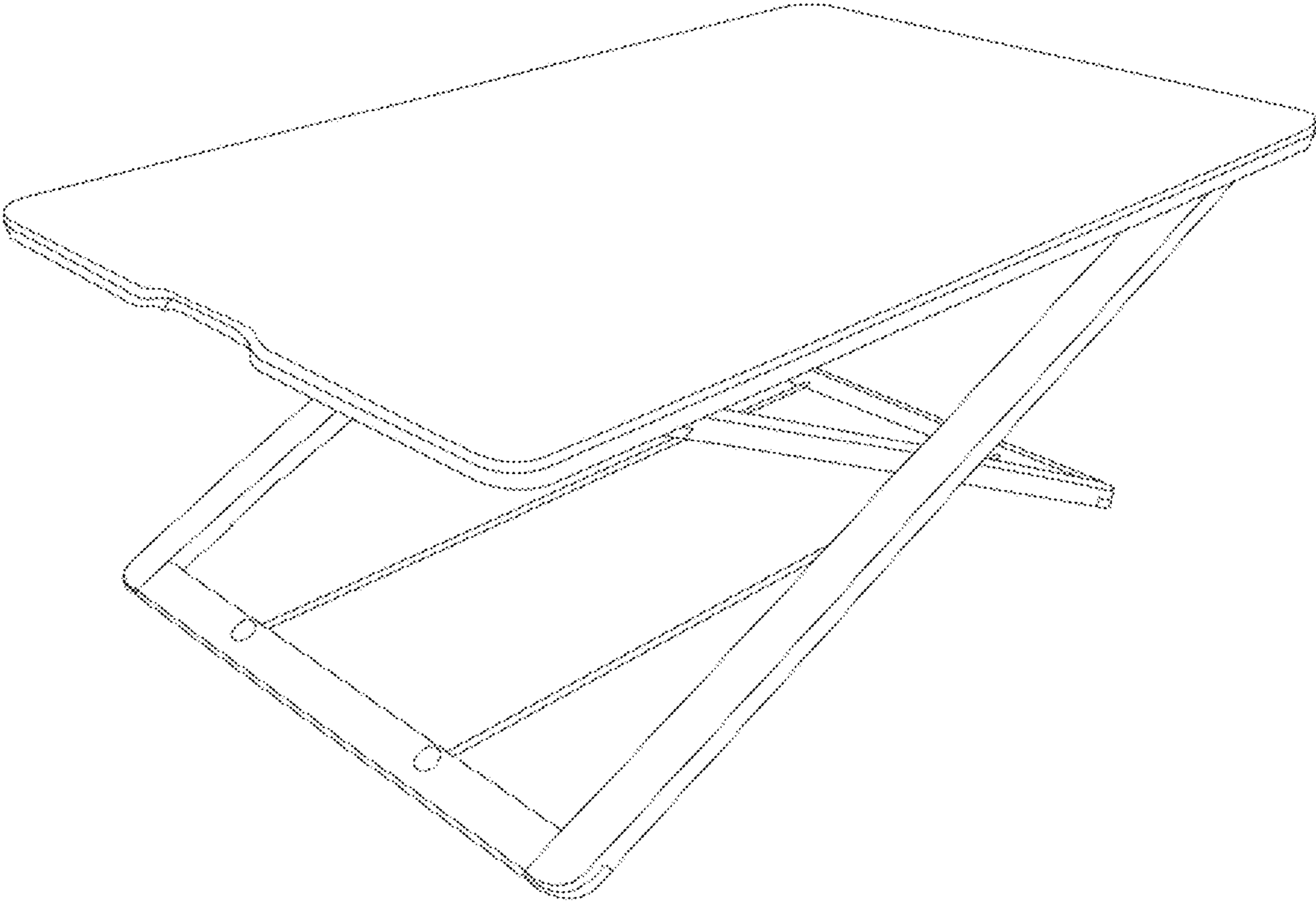
X-Elite, [www.amazon.com/X-ELITE-Height-Adjustable-Stand-Desk/dp/B00Y3P0K1M?ie=UTF8&psc=1](http://www.amazon.com/X-ELITE-Height-Adjustable-Stand-Desk/dp/B00Y3P0K1M?ie=UTF8&psc=1), Aug. 4, 2016.

Halter, [www.amazon.com/Halter-Manual-Adjustable-Height-Cherry/dp/B0131LGDU0?ie=UTF8&keywords=height%20adjustable%20standing%20desk&qid=1457039134&ref\\_=sr\\_1\\_8&s=office-products](http://www.amazon.com/Halter-Manual-Adjustable-Height-Cherry/dp/B0131LGDU0?ie=UTF8&keywords=height%20adjustable%20standing%20desk&qid=1457039134&ref_=sr_1_8&s=office-products), Aug. 4, 2016.

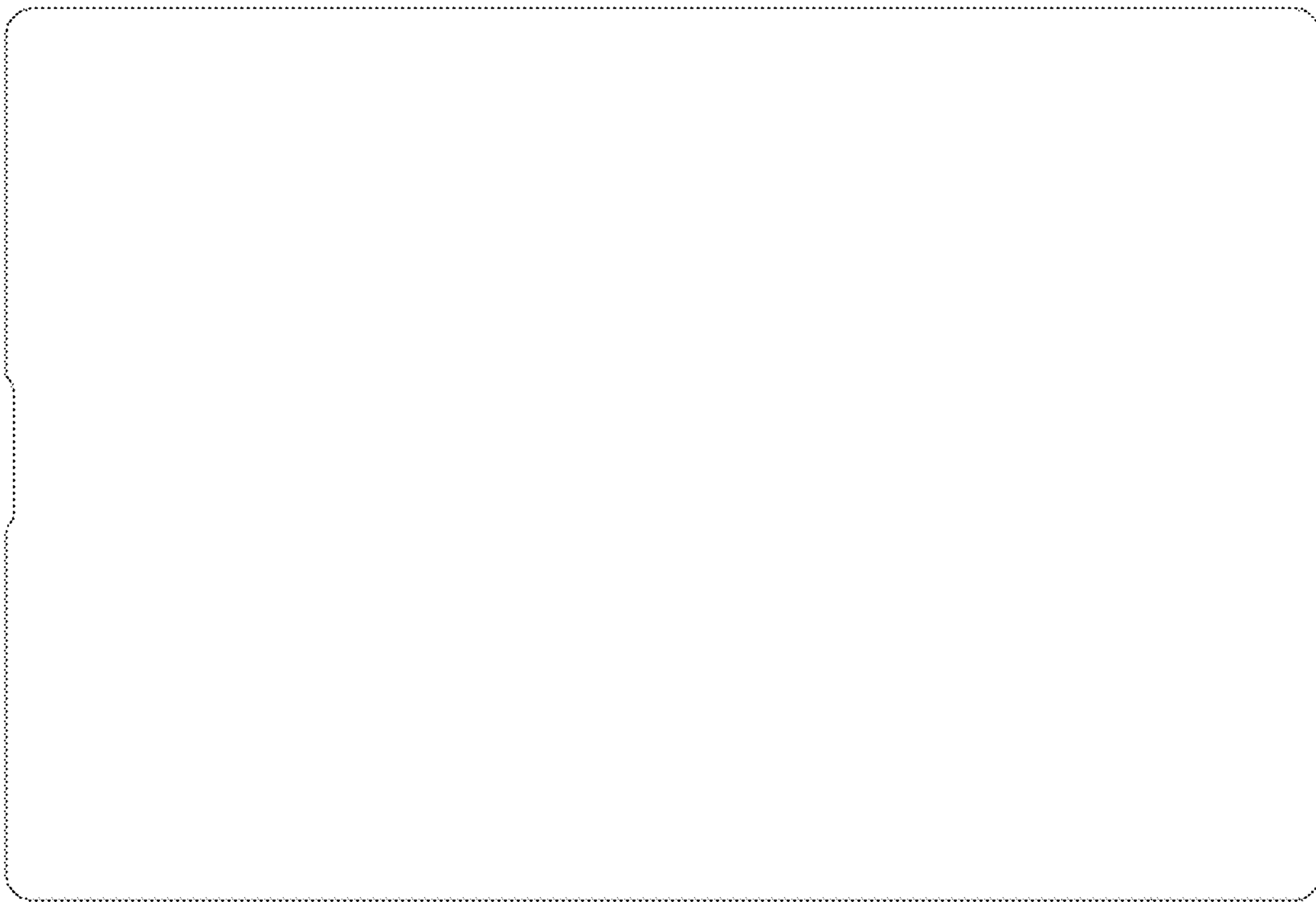
Uncaged Ergonomics, [www.amazon.com/Uncaged-Ergonomics-Adjustable-Conversion-CDE-b/dp/B01BT3DK12?ie=UTF8&keywords=height%20adjustable%20standing%20desk&qid=1457039137&ref\\_=sr\\_1](http://www.amazon.com/Uncaged-Ergonomics-Adjustable-Conversion-CDE-b/dp/B01BT3DK12?ie=UTF8&keywords=height%20adjustable%20standing%20desk&qid=1457039137&ref_=sr_1), Aug. 4, 2016.

\* cited by examiner

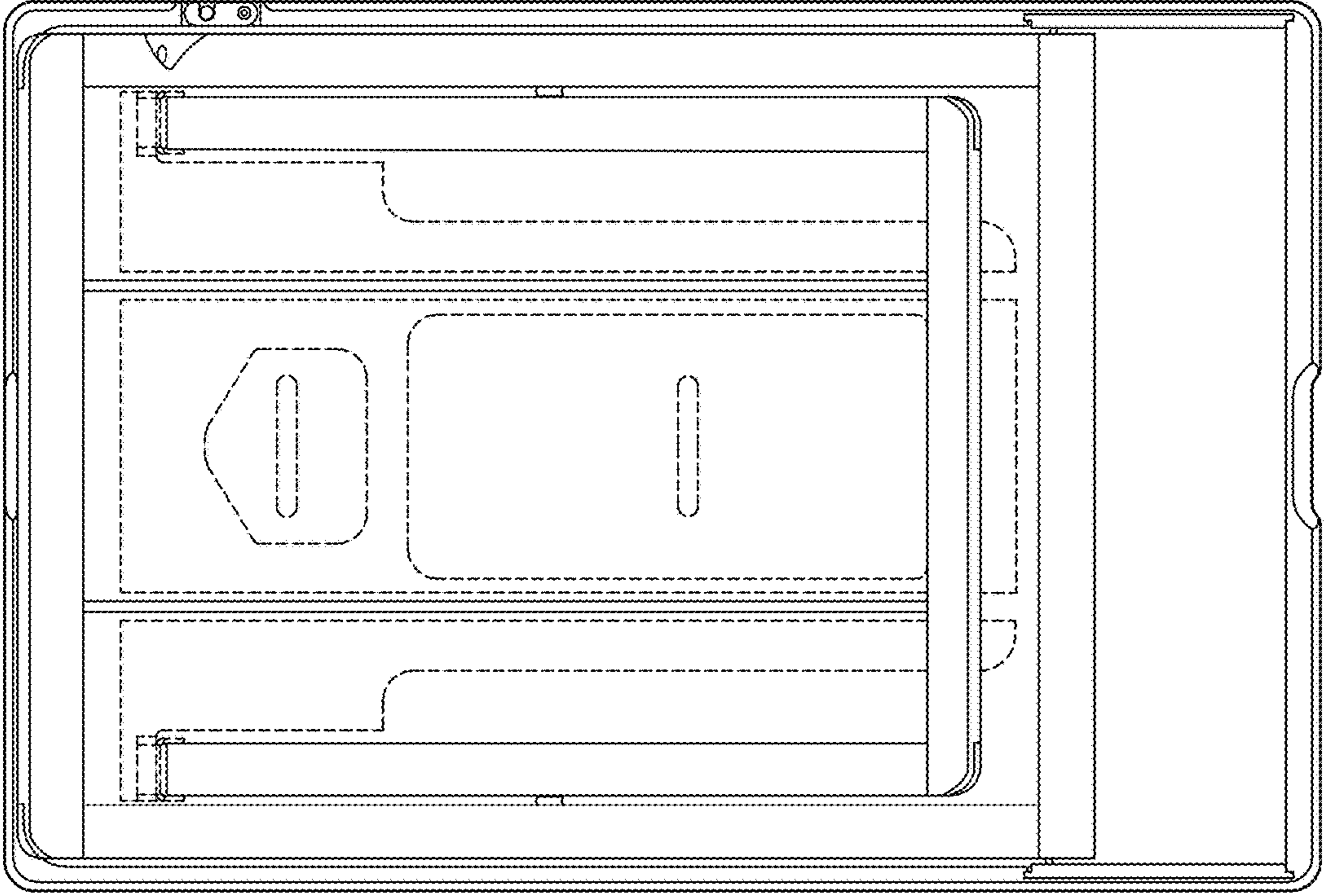
1.1



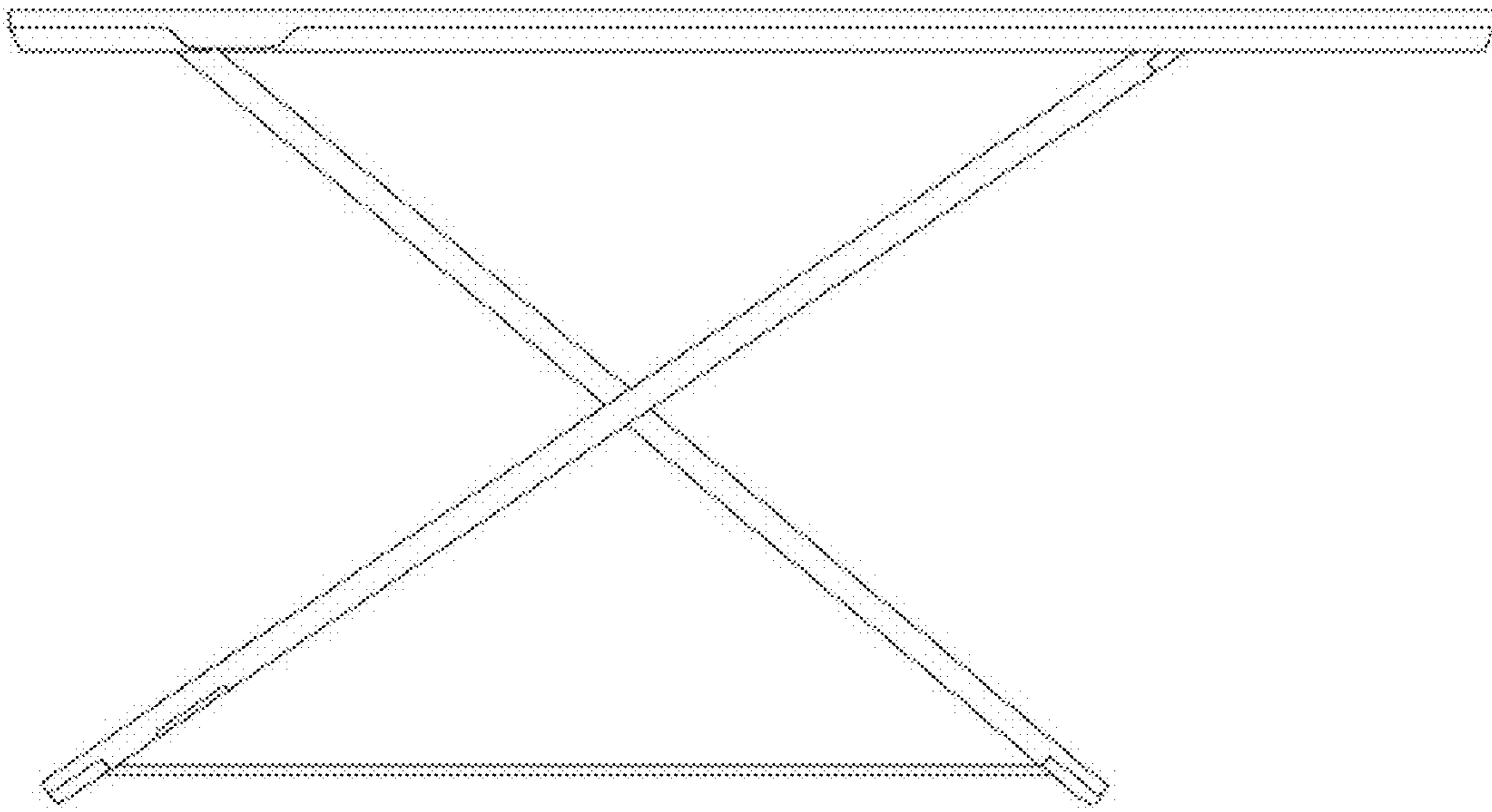
**1.2**



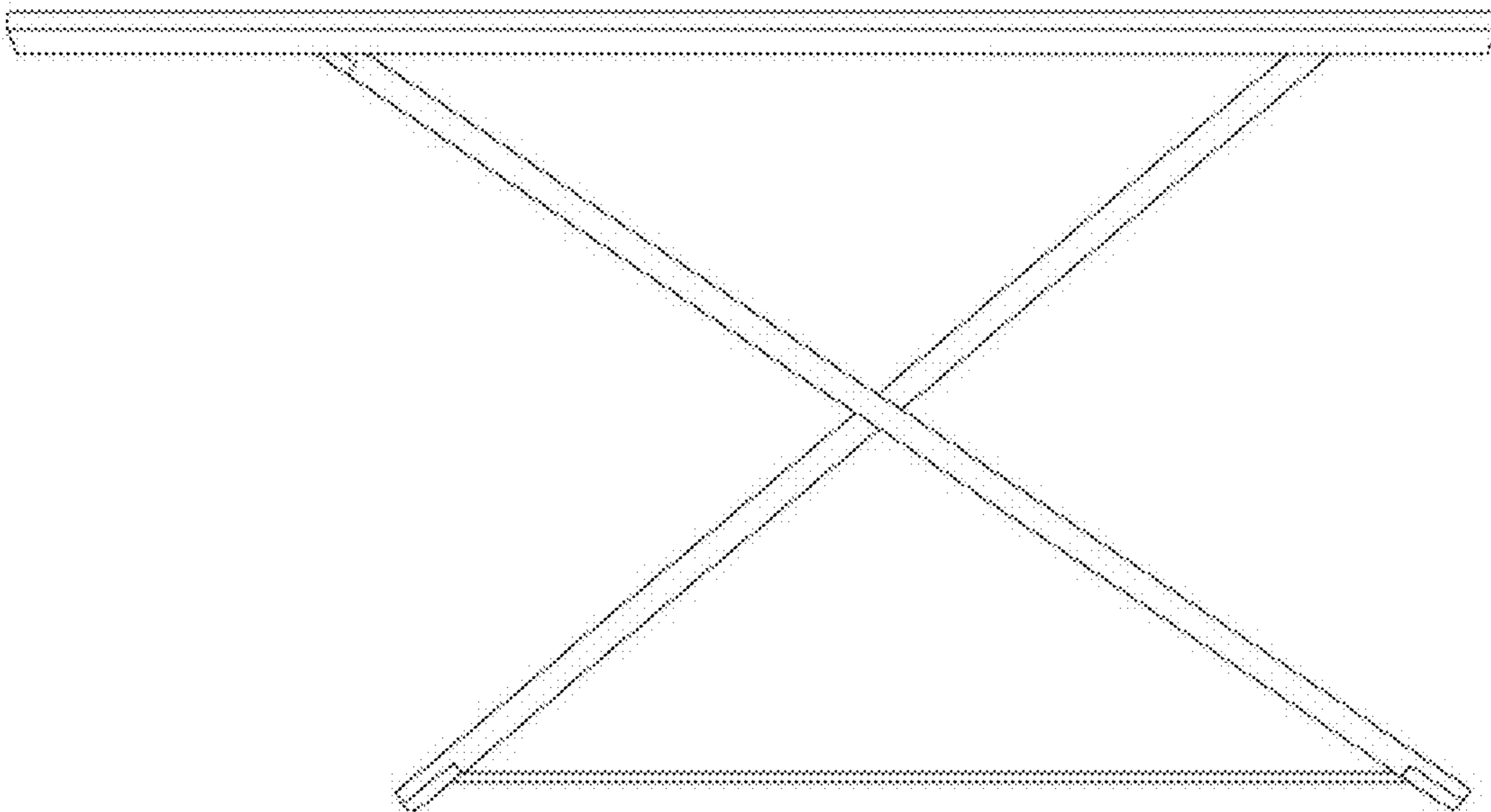
1.3



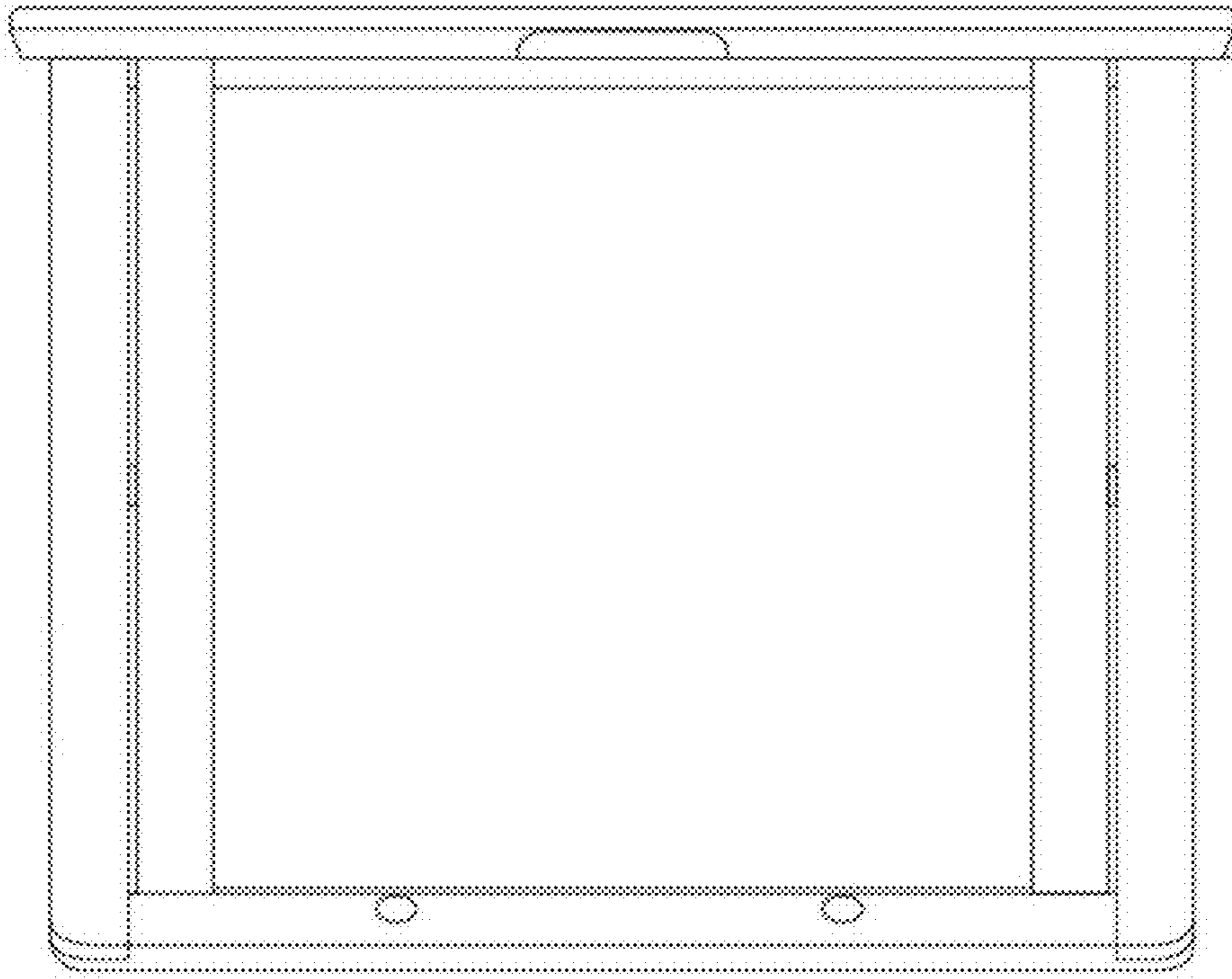
**1.4**



1.5

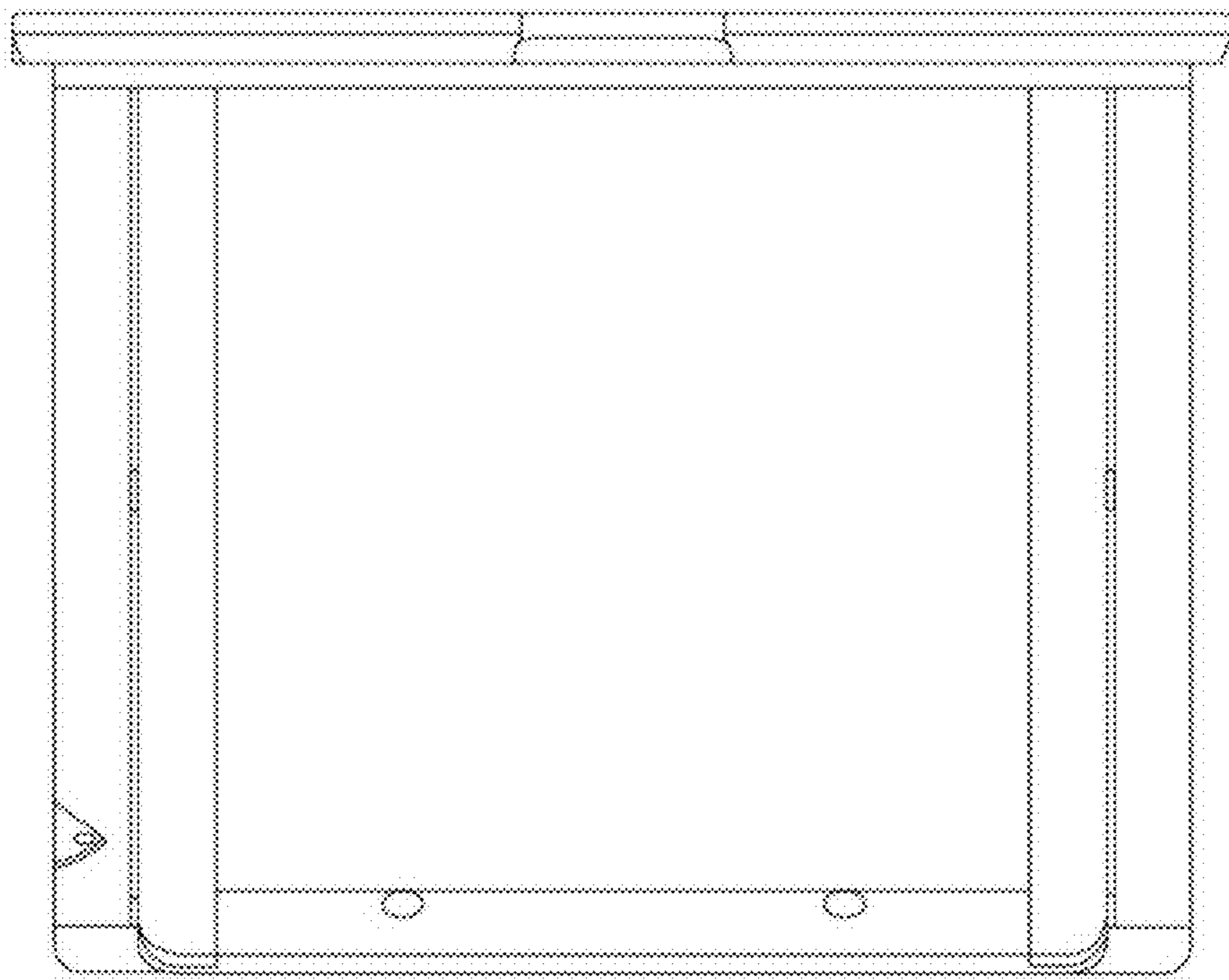


**1.6**

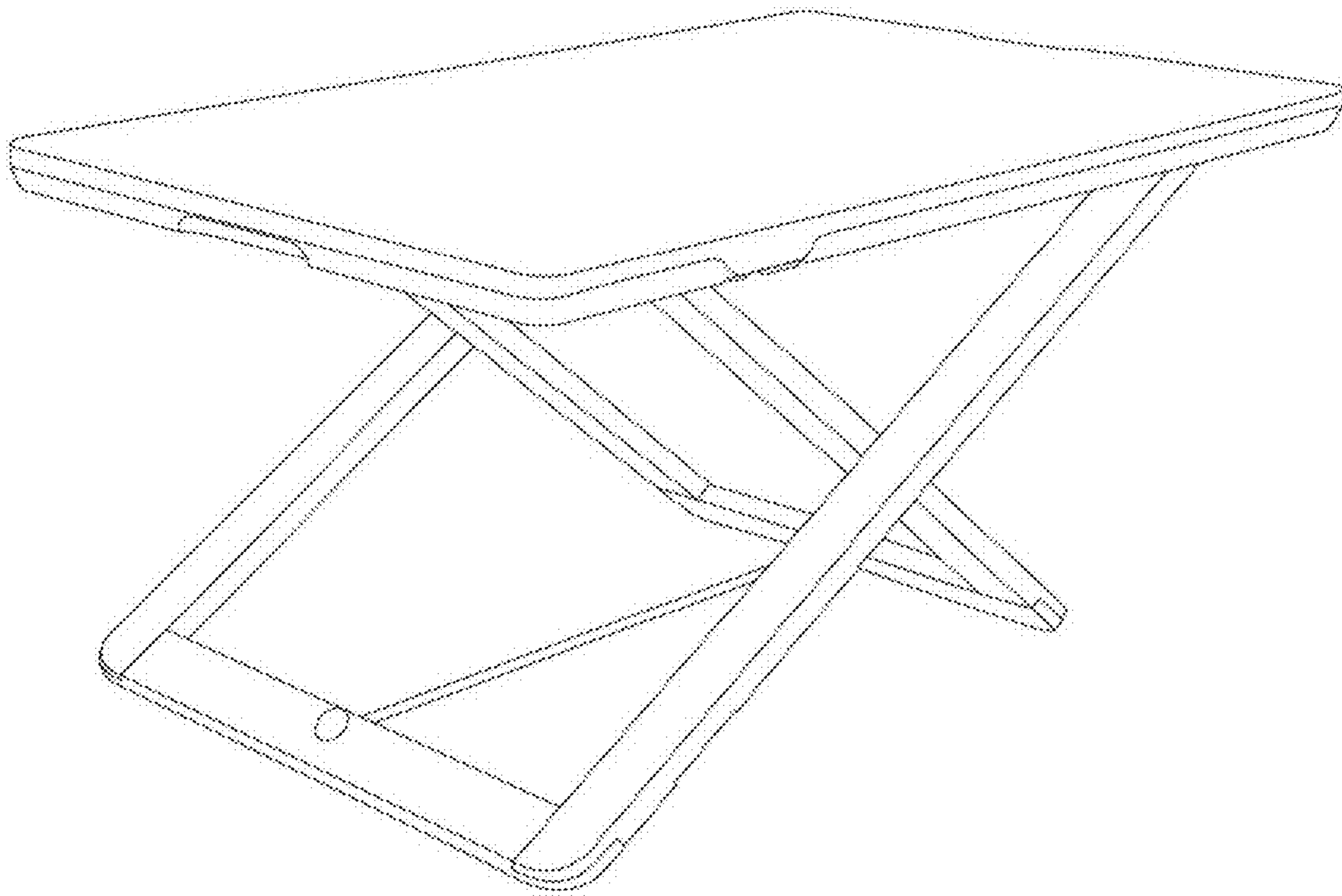




1.7



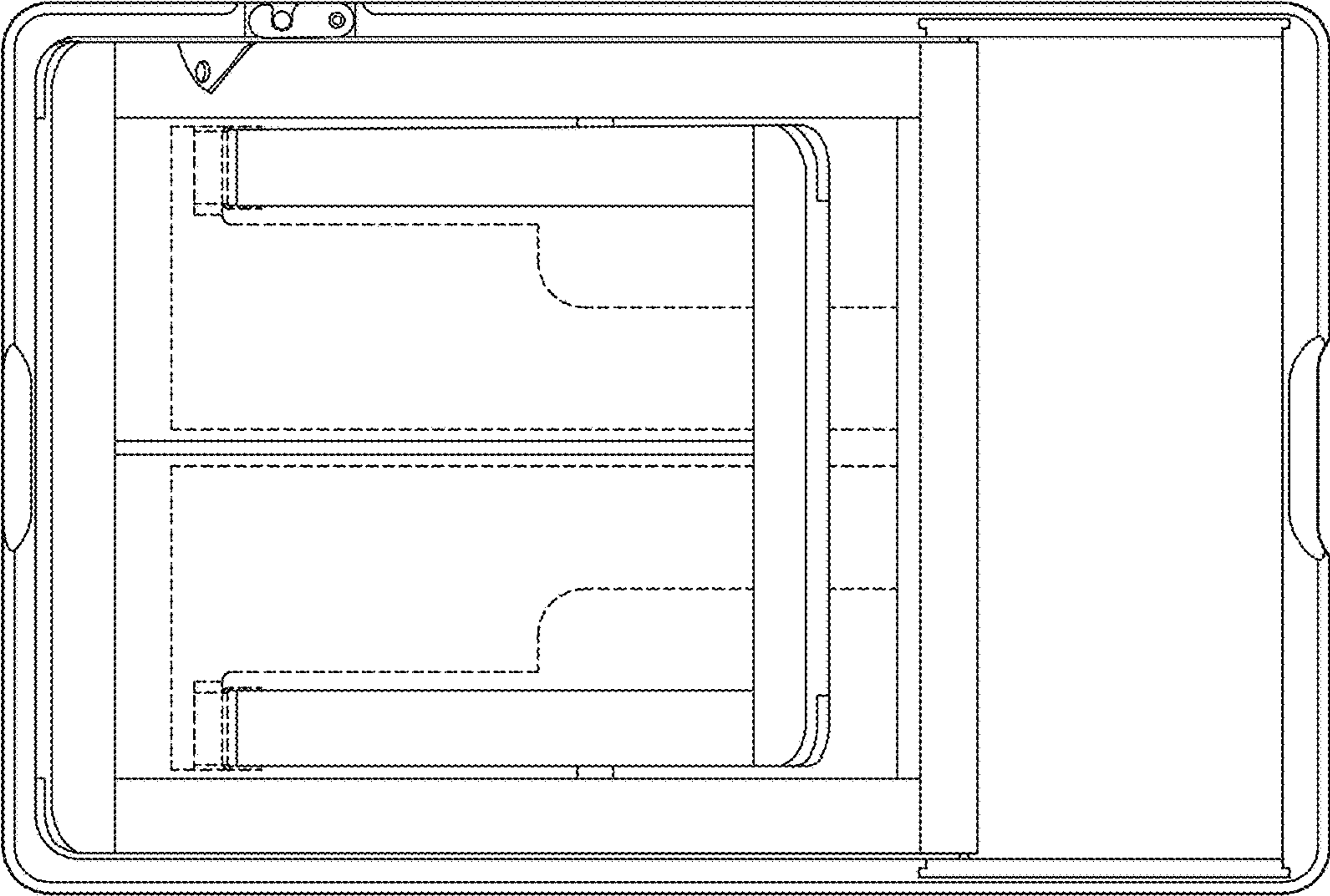
2.1



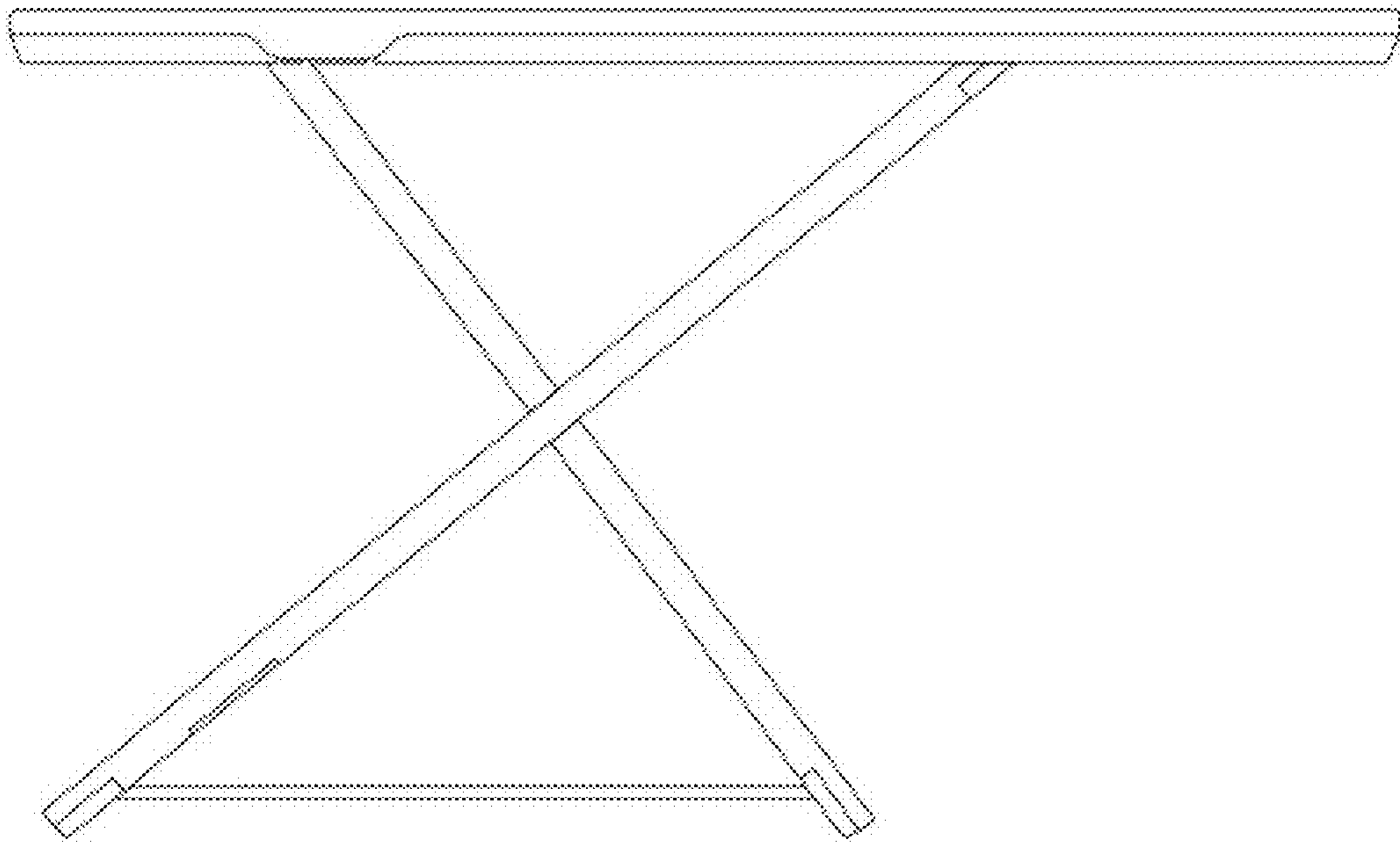
**2.2**



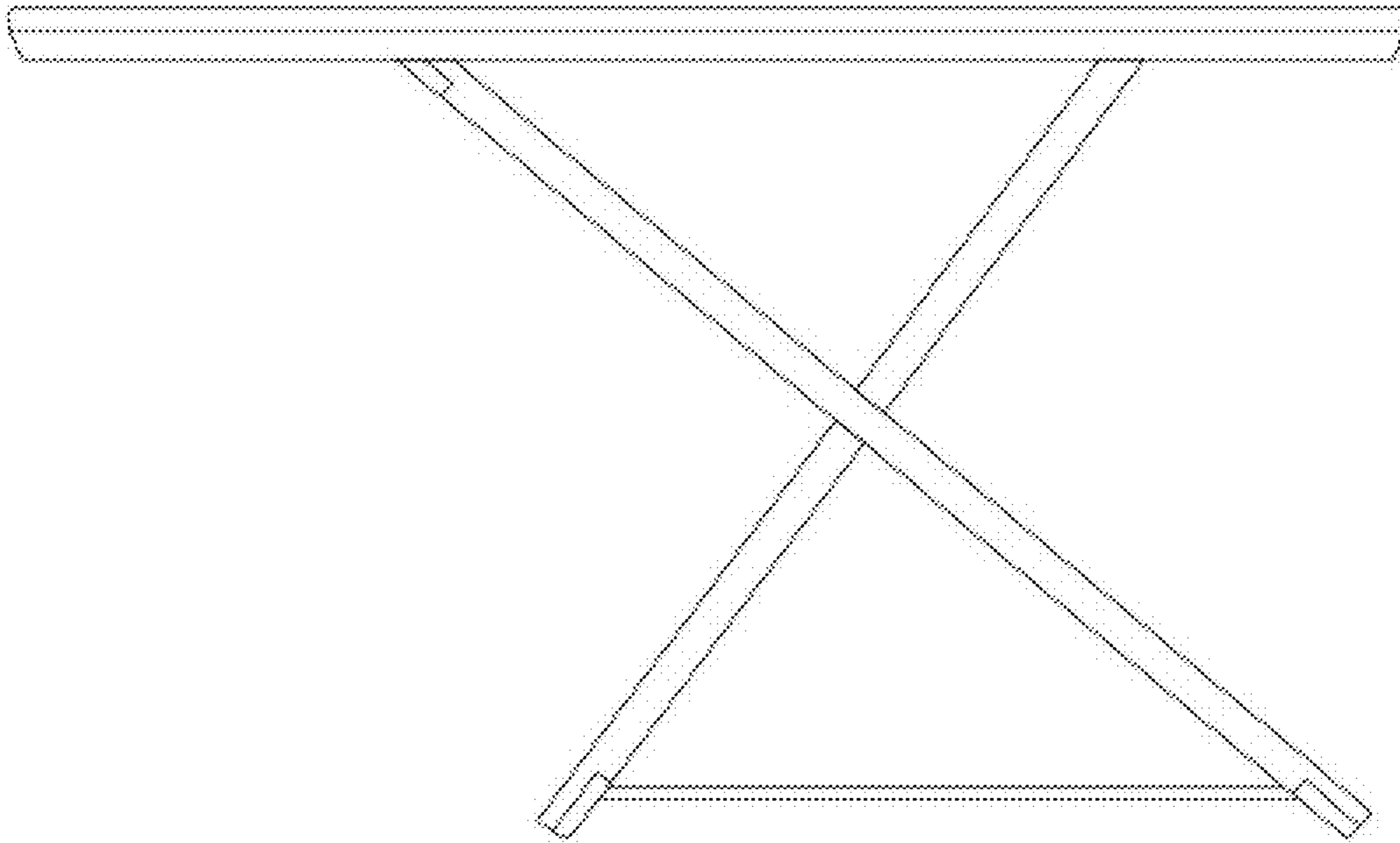
2.3



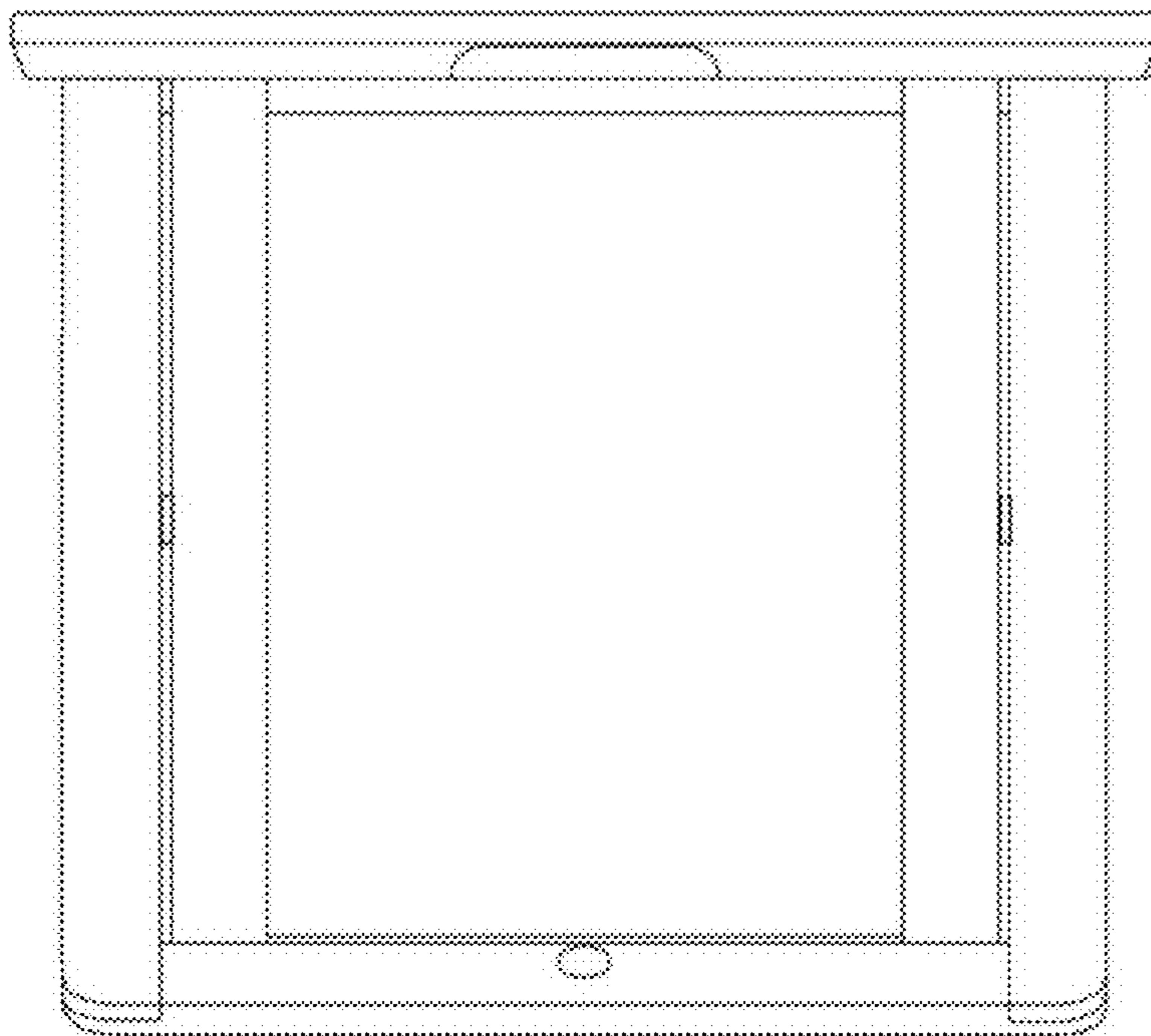
**2.4**



2.5



**2.6**



2.7

