



US00D815471S

(12) **United States Design Patent**
Radford et al.

(10) **Patent No.:** **US D815,471 S**

(45) **Date of Patent:** **** Apr. 17, 2018**

(54) **PRODUCT DISPLAY STAND**

(71) Applicant: **Wm. WRIGLEY Jr. Company,**
Chicago, IL (US)

(72) Inventors: **John Mark Radford,** Reading (GB);
Jerome Marcel Morgen, Reading
(GB); **Dudley Roberts,** Baldock (GB)

(73) Assignee: **Wm. Wrigley Jr. Company,** Chicago,
IL (US)

(**) Term: **15 Years**

(21) Appl. No.: **29/555,449**

(22) Filed: **Feb. 22, 2016**

(51) **LOC (11) Cl.** **06-06**

(52) **U.S. Cl.**
USPC **D6/675.4**

(58) **Field of Classification Search**
USPC D7/589-590, 601; D6/515, 517, 675,
D6/675.4, 683
CPC .. A47F 5/00; A47F 5/0018; A47F 5/10; A47F
7/0007; A47F 7/0014
See application file for complete search history.

(56) **References Cited**

U.S. PATENT DOCUMENTS

- 1,932,429 A * 10/1933 Wellman B65D 5/18
229/112
- 2,178,091 A * 10/1939 Weiss B65D 5/48024
206/45.3
- 2,259,041 A * 10/1941 Larkin B65D 5/52
206/766

(Continued)

Primary Examiner — Kelley Donnelly

(74) *Attorney, Agent, or Firm* — Brinks Gilson & Lione

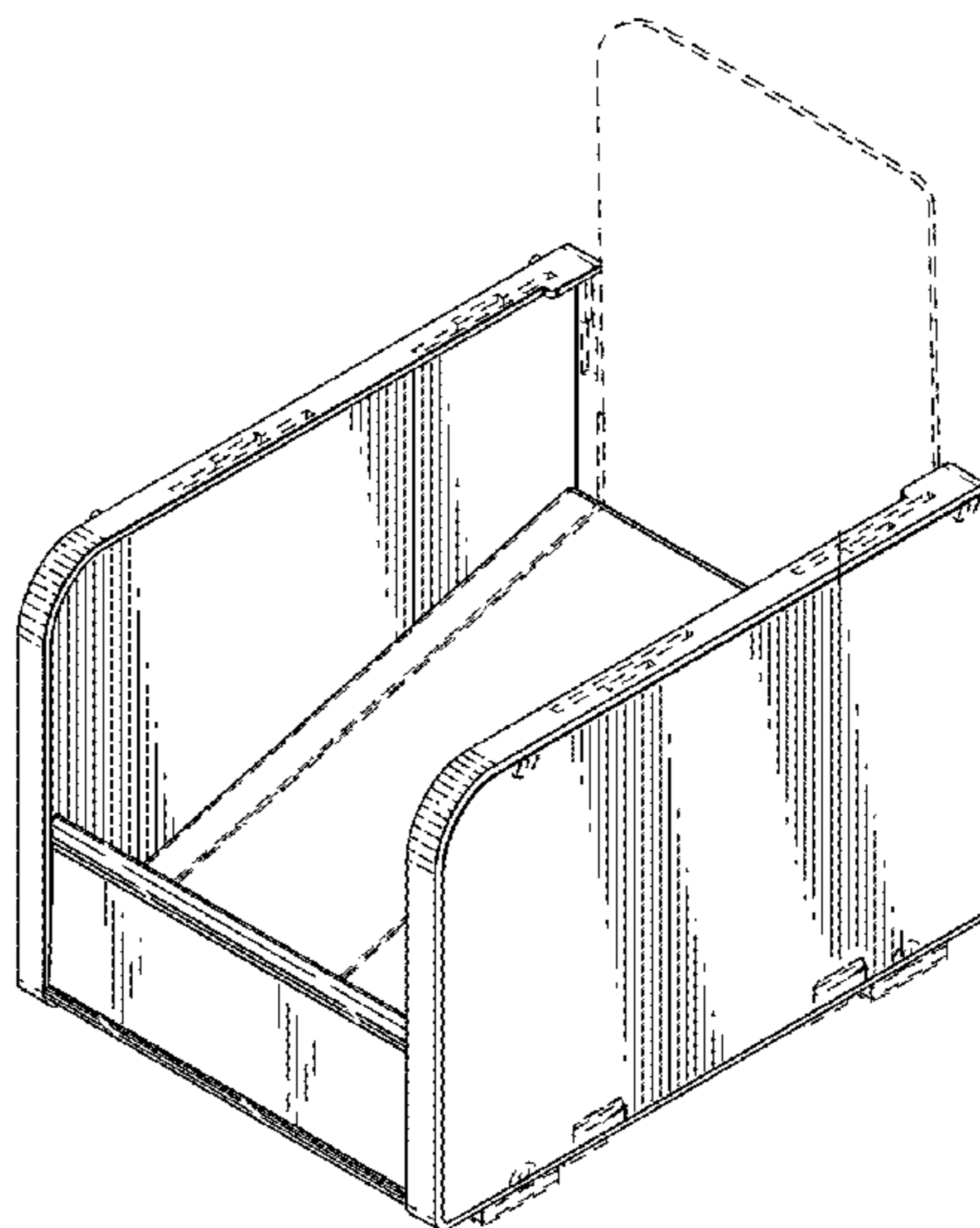
(57) **CLAIM**

We claim the ornamental design for a product display stand,
as shown and described.

DESCRIPTION

FIG. 1 is a top perspective view of a product display stand of the present invention;
 FIG. 2 is front elevation view thereof;
 FIG. 3; is a right side elevation view thereof, where the right side elevation view is a mirror image of the left side elevation view;
 FIG. 4 is a rear elevation view thereof;
 FIG. 5 is a top plan view thereof;
 FIG. 6 is a top perspective view of a product display stand as shown in FIGS. 1-5 in an embodiment arranged side-by-side immediately adjacent another product display stand;
 FIG. 7 is a top perspective view of a product display stand as shown in FIGS. 1-5 in an embodiment arranged with two or more immediately adjacent, side-by-side product display stands;
 FIG. 8 is a top perspective view of a product display stand as shown in FIGS. 1-5 in an embodiment arranged immediately adjacent in a vertical stack with another product display stand;
 FIG. 9 is a top perspective view of a product display stand as shown in FIGS. 1-5 in an embodiment arranged immediately adjacent in a vertical stack with two or more product display stands;
 FIG. 10 is a top perspective view of a product display stand as shown in FIGS. 1-5 in an embodiment arranged immediately adjacent in a staggered stack with another product display stand; and,
 FIG. 11 is a top perspective view of a product display stand as shown in FIGS. 1-5 in an embodiment arranged immediately adjacent in a staggered stack with two or more product display stands.
 The broken lines shown in the drawings are included for the purpose of illustrating environment and form no part of the claimed design. The break lines shown in FIGS. 7, 9, and 11 are not part of the claimed design and represent that no particular length is claimed.

1 Claim, 5 Drawing Sheets



(56)

References Cited

U.S. PATENT DOCUMENTS

D277,532 S * 2/1985 Duhamel D34/17
 D277,723 S * 2/1985 Wolff D19/90
 D277,819 S * 3/1985 Crosslen D6/555
 5,271,515 A 12/1993 Berkheimer et al.
 D347,130 S * 5/1994 Dean D19/90
 5,429,260 A 7/1995 Vollers
 5,531,517 A 7/1996 Alpen
 5,544,751 A 8/1996 Klodt et al.
 5,549,241 A 8/1996 Correll
 D385,306 S * 10/1997 Collins D20/10
 5,860,527 A 1/1999 Frankenberg et al.
 D406,478 S * 3/1999 Rahman D6/683
 6,062,388 A 5/2000 Ohayon
 D470,641 S * 2/2003 Emerzian D34/12
 6,581,772 B2 6/2003 Noland
 6,880,705 B2 4/2005 Otting et al.
 6,991,106 B2 1/2006 Milliorn
 7,044,483 B2 5/2006 Robertson et al.
 7,063,210 B2 6/2006 Smyers et al.
 D529,755 S 10/2006 Lobman et al.
 D538,571 S * 3/2007 Militello D6/580
 D543,030 S 5/2007 Schäfer
 D589,723 S * 4/2009 Zealer D6/683
 D590,021 S * 4/2009 Hughes D19/76

7,516,854 B2 4/2009 Brown et al.
 7,661,549 B2 2/2010 Rae
 D645,902 S * 9/2011 Tsai D19/90
 D654,726 S * 2/2012 Nealon D6/683.1
 D664,034 S 7/2012 Goto et al.
 8,342,329 B2 1/2013 Kobilarcik et al.
 D689,718 S * 9/2013 Puckett D6/683
 8,640,871 B2 2/2014 Moss
 D709,716 S * 7/2014 Watson D6/675.3
 8,973,811 B2 3/2015 McLeod et al.
 8,997,993 B2 4/2015 Shapiro
 9,056,694 B2 6/2015 Aksan et al.
 9,101,212 B2 8/2015 De Roeck
 D773,217 S * 12/2016 Theisen D6/683
 D781,625 S * 3/2017 Poniatowski D6/683
 2006/0016811 A1 1/2006 Wang
 2006/0070906 A1 4/2006 Verna et al.
 2006/0237341 A1 10/2006 McDade
 2007/0080089 A1 4/2007 Anschutz
 2008/0110190 A1 5/2008 Ramsey
 2008/0112782 A1 5/2008 Leahy et al.
 2008/0121253 A1 5/2008 Shotwell
 2008/0128414 A1 6/2008 Braun
 2009/0178989 A1 7/2009 Accuardi
 2009/0184021 A1 7/2009 Ötting et al.
 2011/0139665 A1 6/2011 Madsen

* cited by examiner

Fig. 1

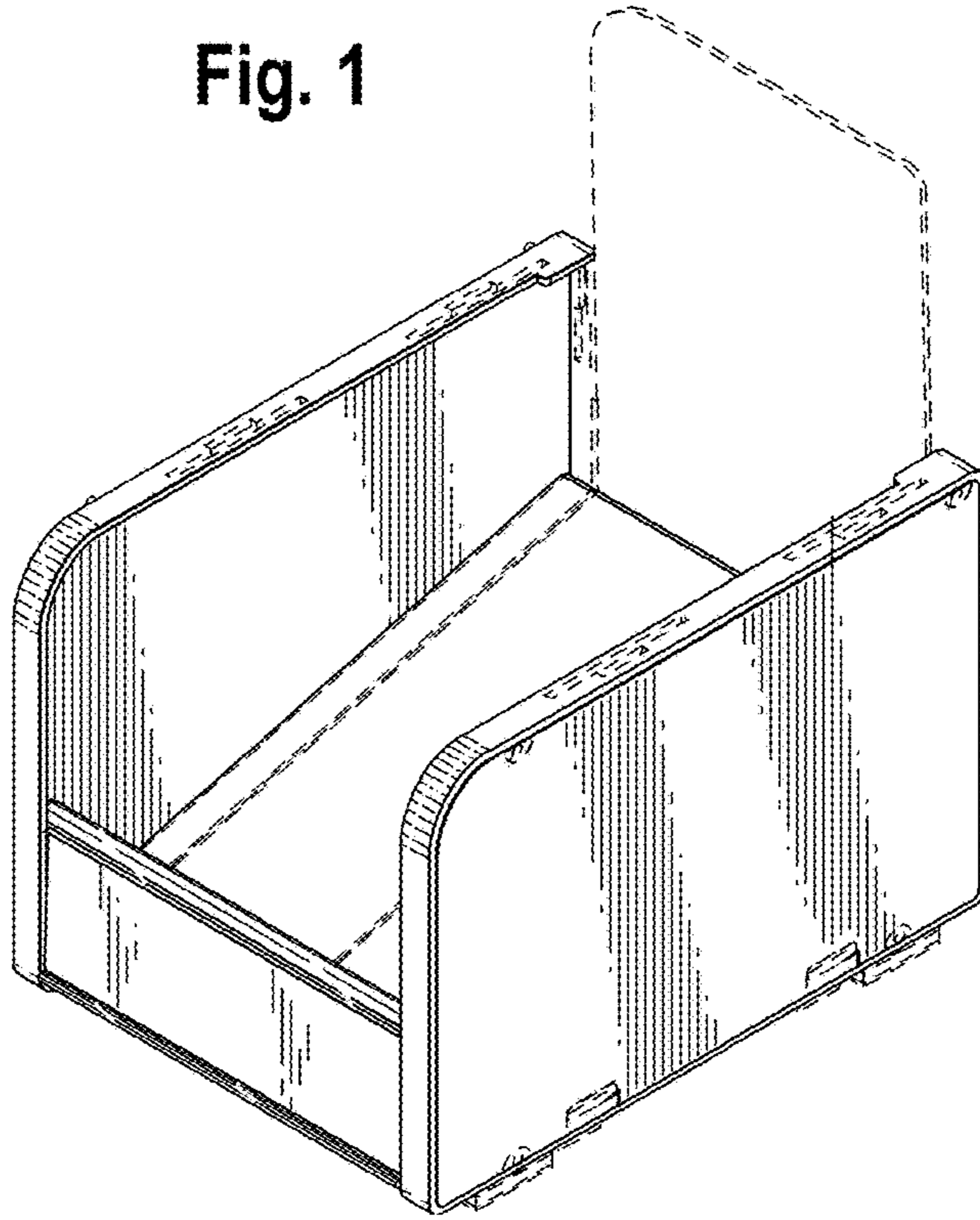


Fig. 2

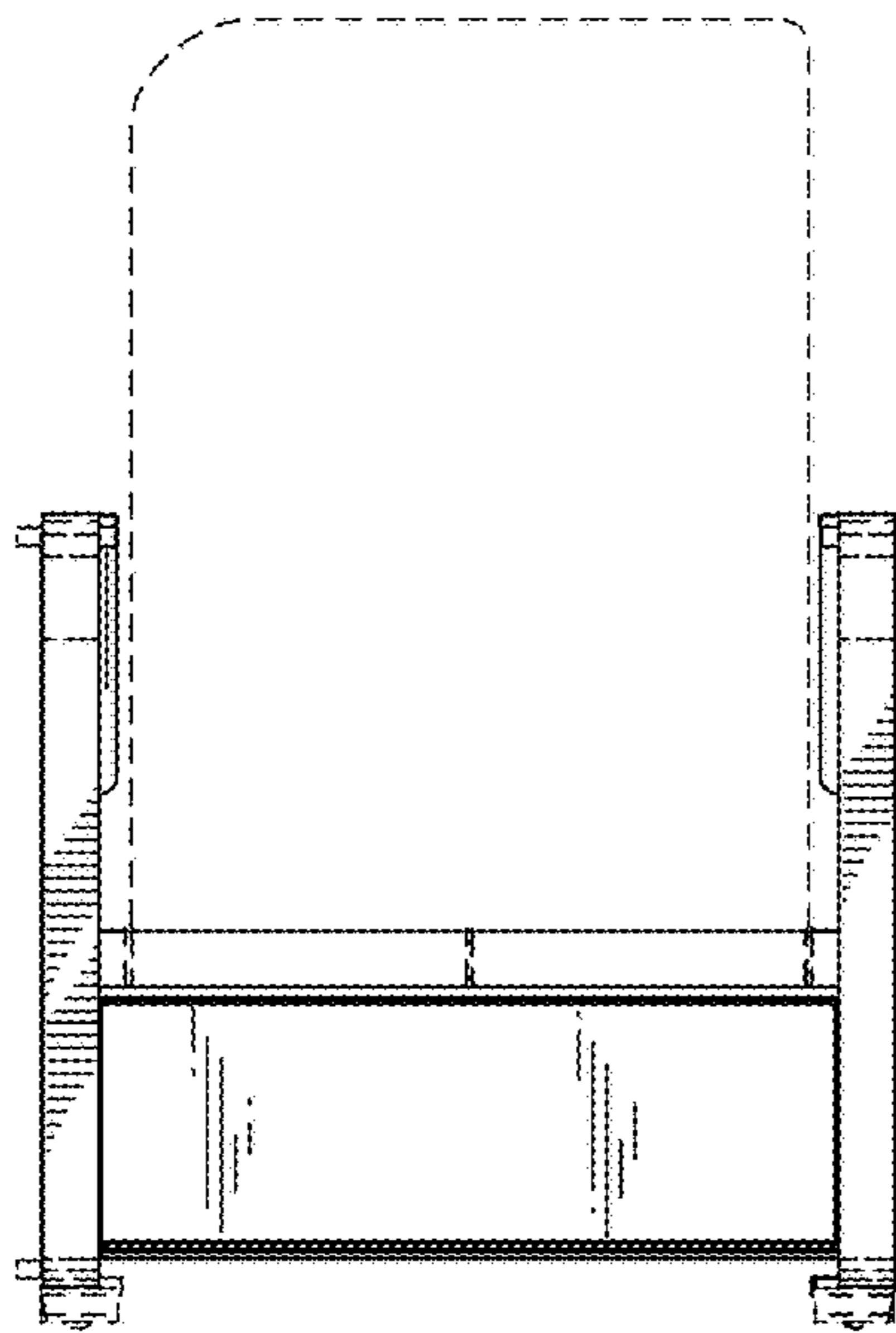


Fig. 3

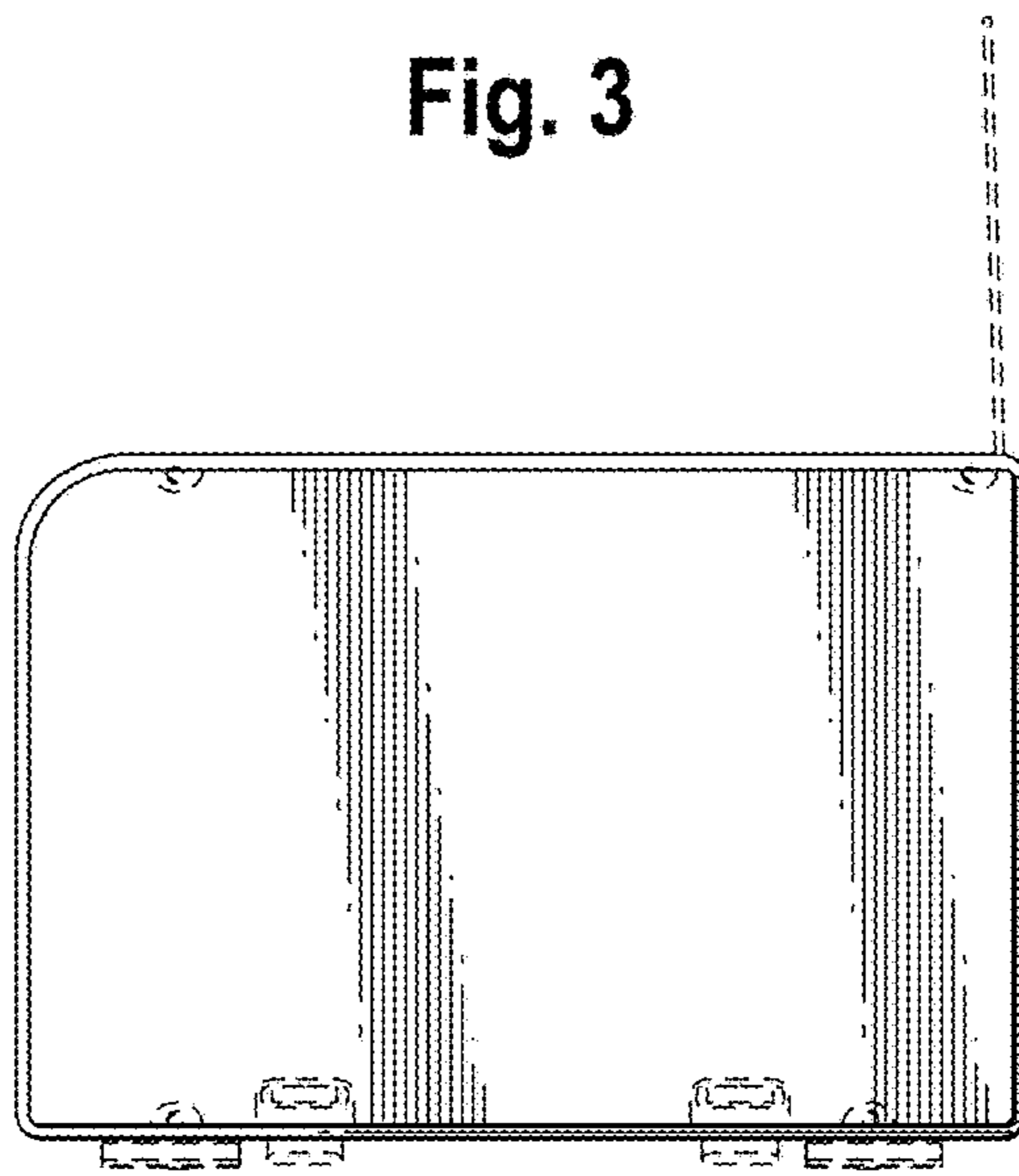


Fig. 4

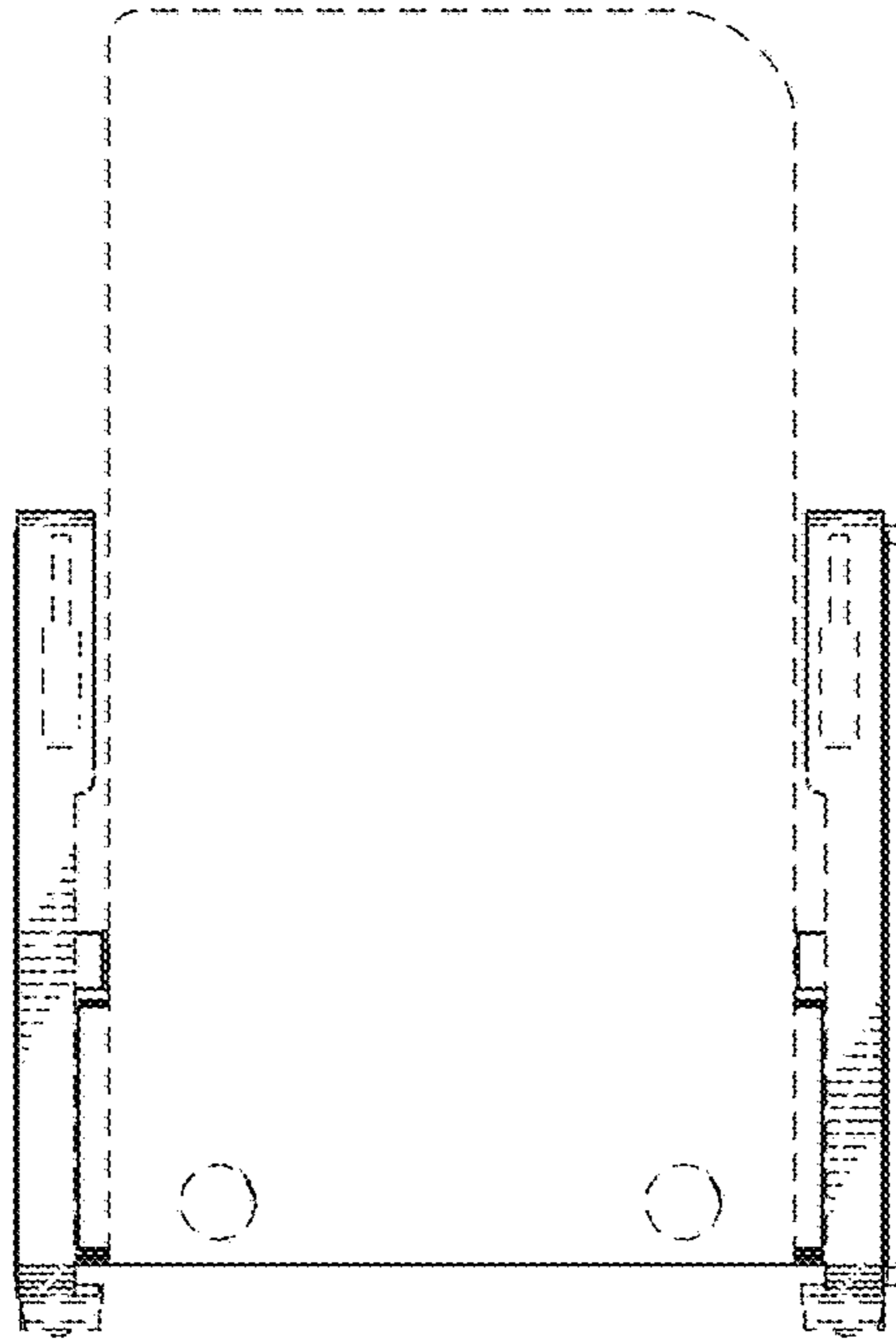


Fig. 5

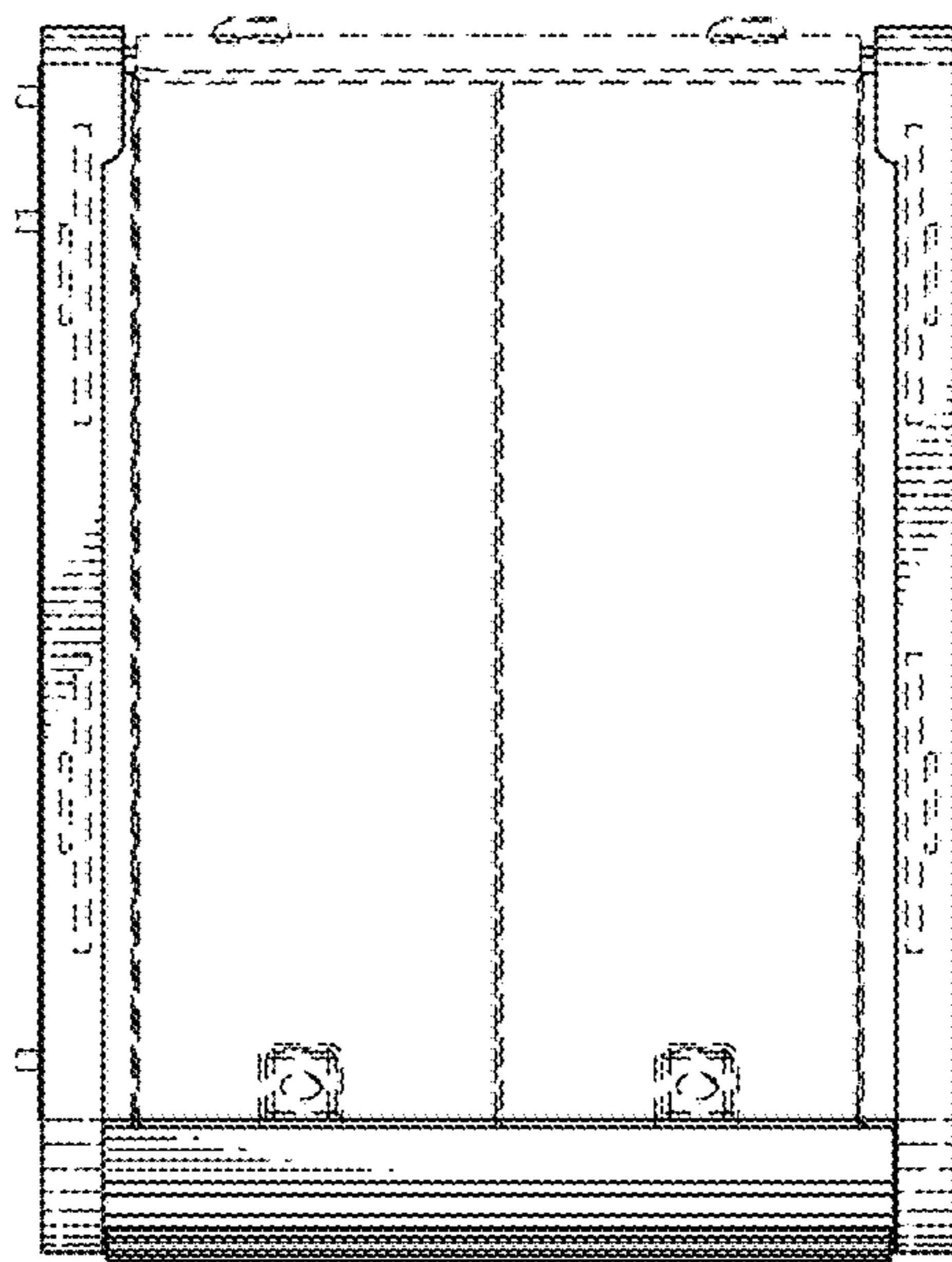


Fig. 6

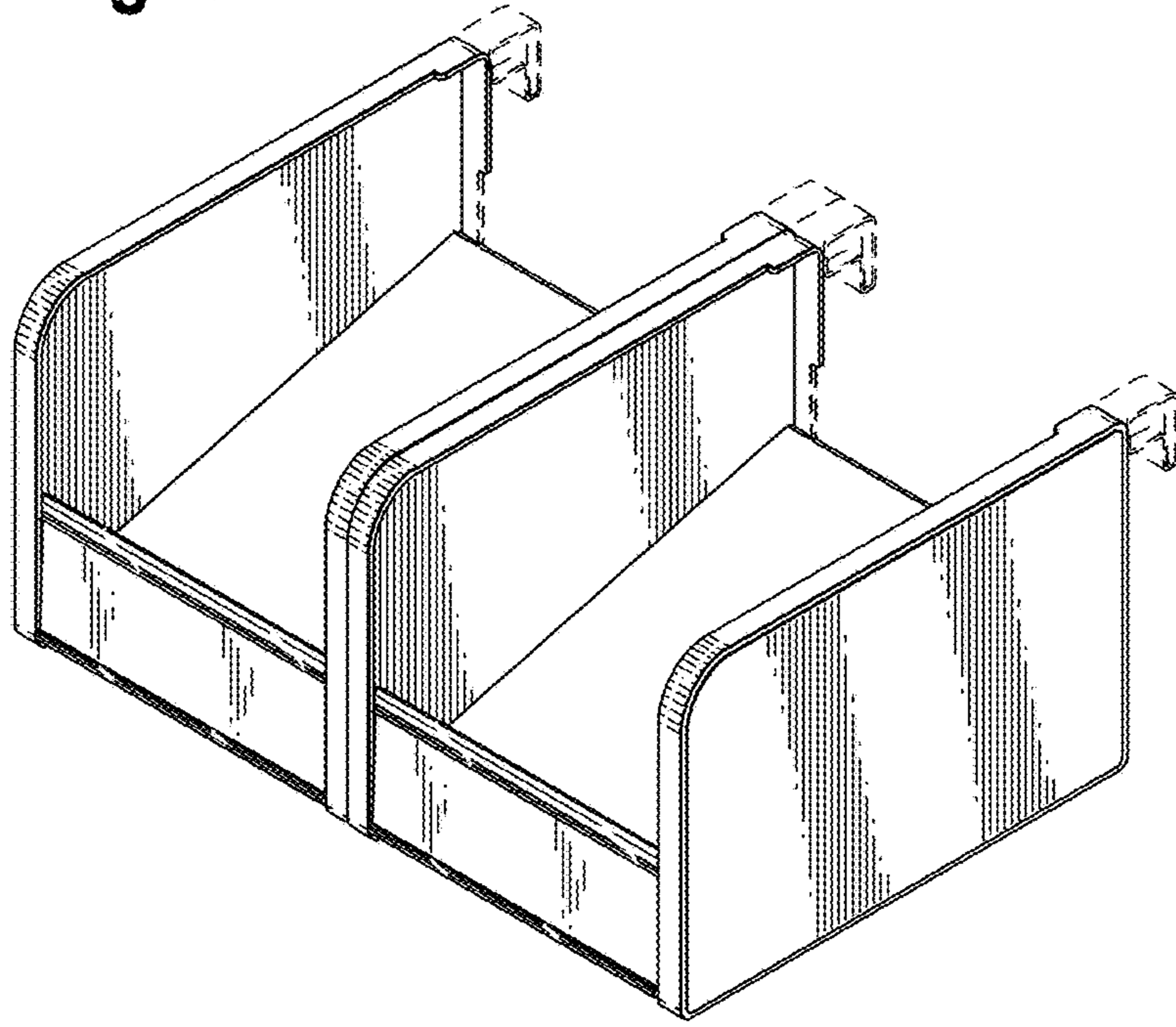


Fig. 7

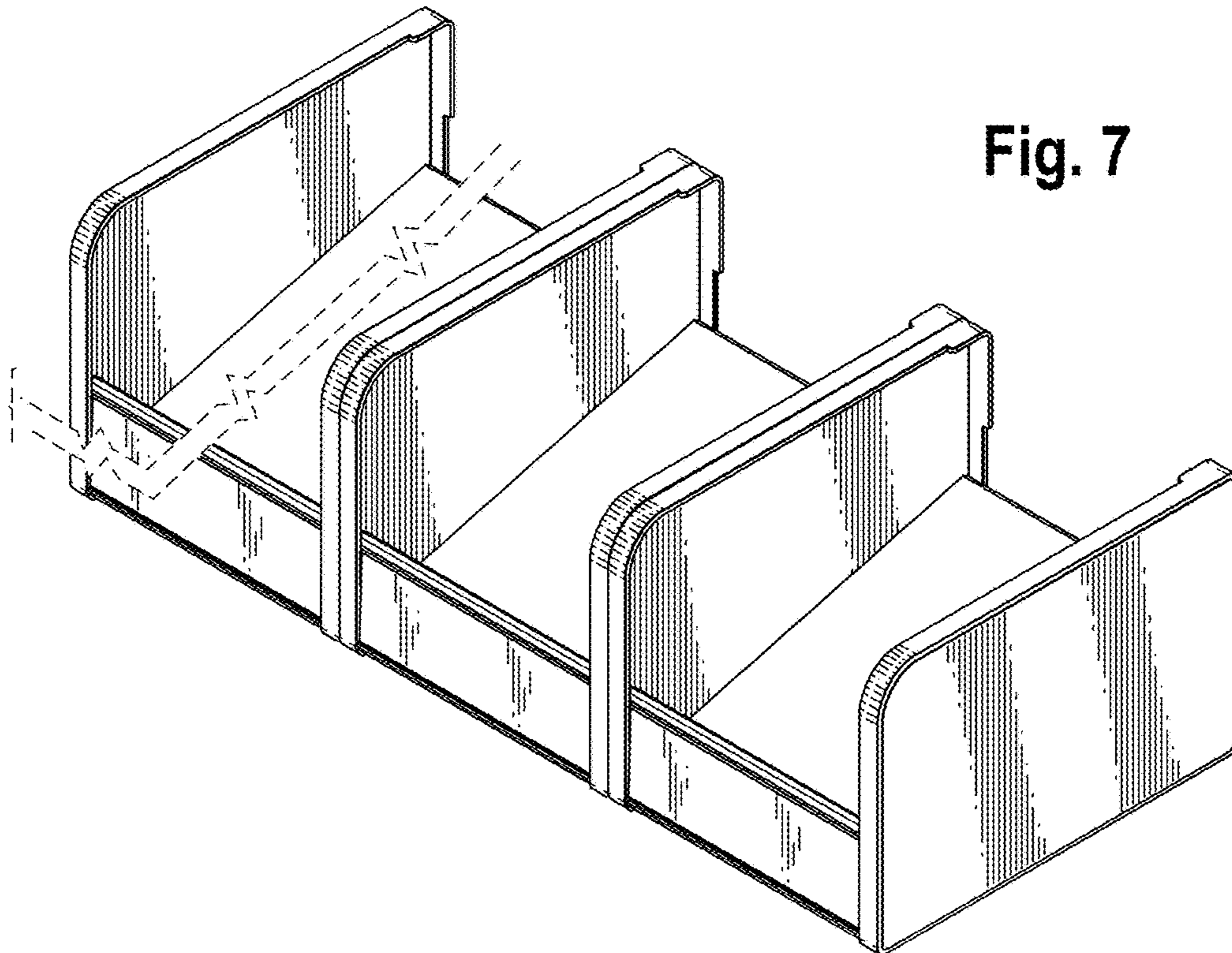


Fig. 8

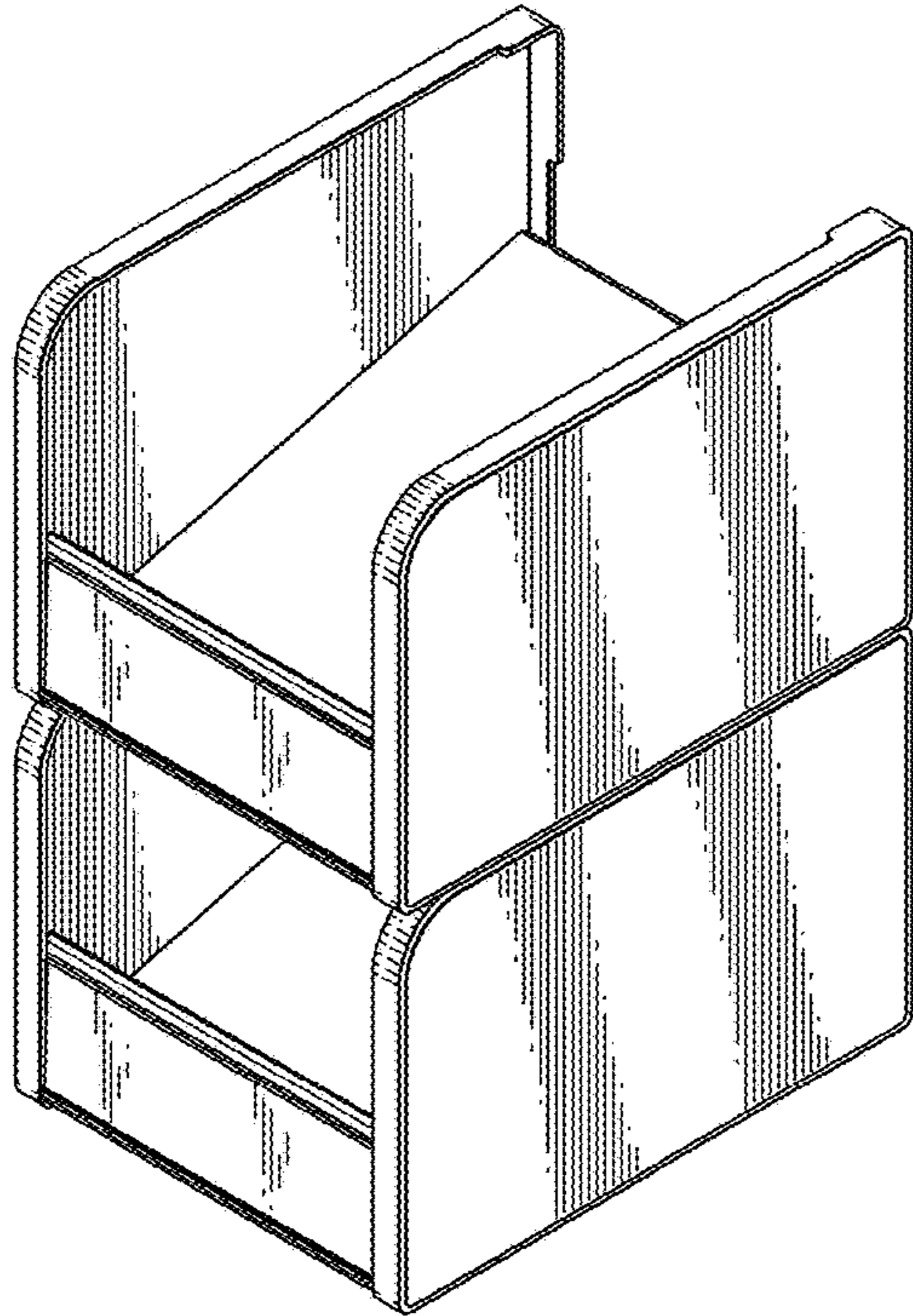


Fig. 9

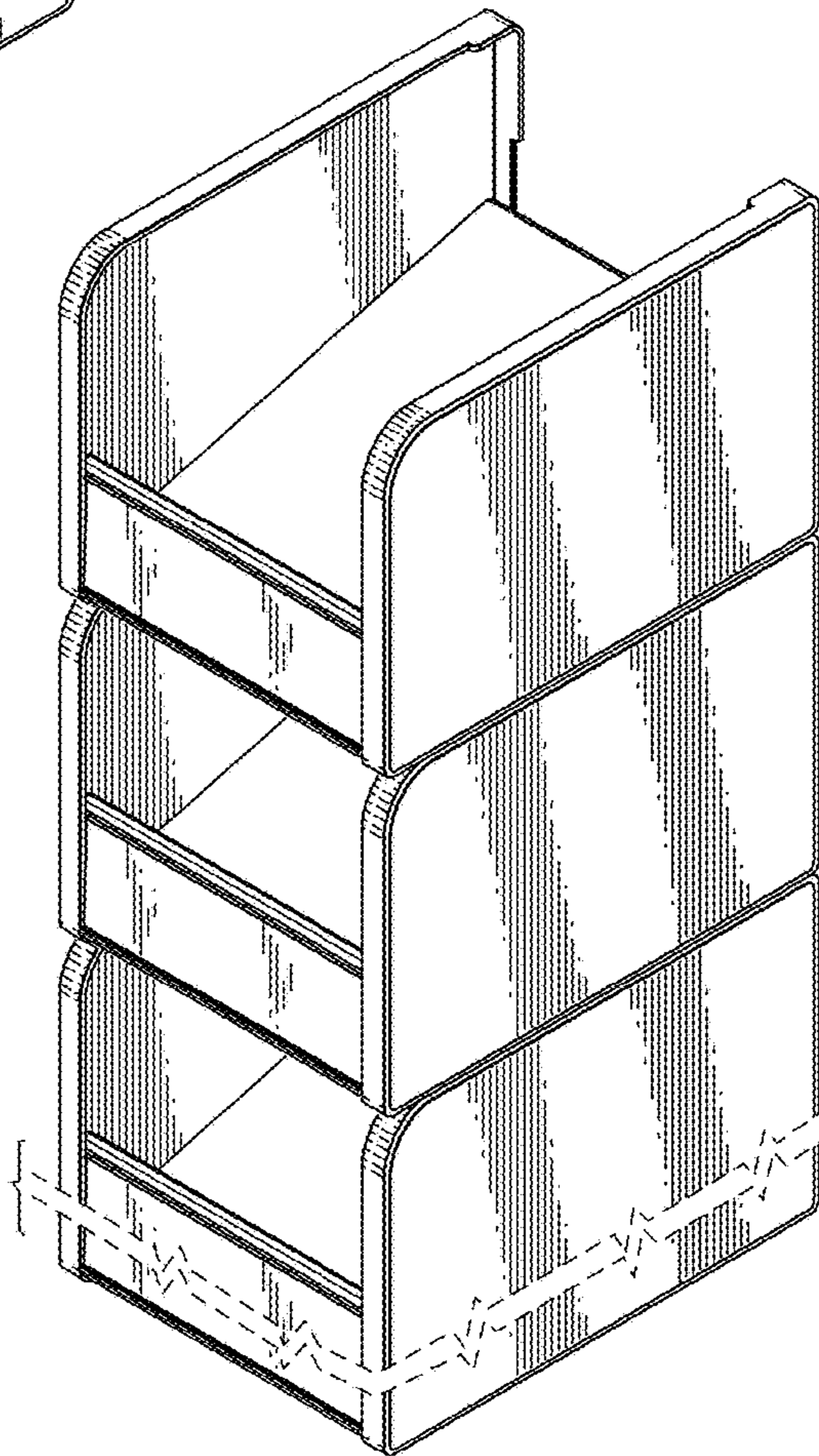


Fig. 10

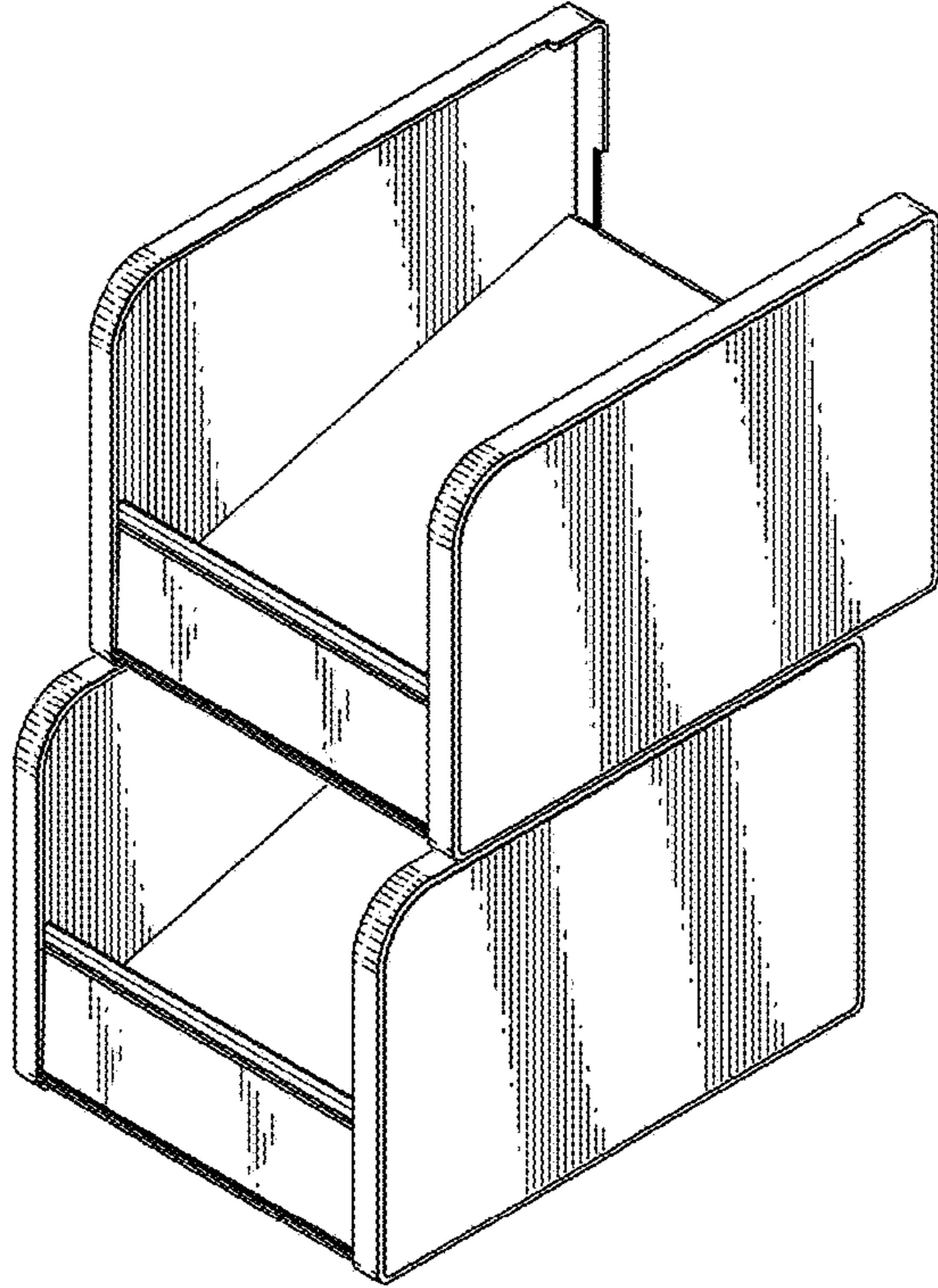


Fig. 11

