



US00D815470S

(12) **United States Design Patent**
Kraemer

(10) **Patent No.:** **US D815,470 S**
(45) **Date of Patent:** **** Apr. 17, 2018**

- (54) **HOLDER**
- (71) Applicant: **Interdesign, Inc.**, Solon, OH (US)
- (72) Inventor: **Kevin Francis Kraemer**, Chagrin Falls, OH (US)
- (73) Assignee: **InterDesign, Inc.**, Solon, OH (US)
- (**) Term: **15 Years**
- (21) Appl. No.: **29/572,860**
- (22) Filed: **Aug. 1, 2016**

D316,494 S *	4/1991	Kee	D6/675.2
D323,256 S *	1/1992	Kee	D6/675.2
D327,795 S *	7/1992	Kee	D6/676.2
D455,030 S *	4/2002	Harwanko	D6/675.1
D493,660 S *	8/2004	Goodman	D6/566
D542,058 S *	5/2007	Clucas	D6/675.2
D572,940 S *	7/2008	Murray	D6/562
D588,840 S *	3/2009	Dretzka	D6/525
9,107,496 B2 *	8/2015	Lindo	A47K 3/281
D752,906 S *	4/2016	Gunderson	D6/675.1
D760,515 S *	7/2016	Snider	D6/675.2

* cited by examiner

Primary Examiner — Kelley Donnelly
(74) *Attorney, Agent, or Firm* — Calfee, Halter & Griswold LLP

Related U.S. Application Data

- (60) Division of application No. 29/511,184, filed on Dec. 8, 2014, which is a continuation-in-part of application No. 29/456,031, filed on May 28, 2013, now Pat. No. Des. 724,900, which is a continuation-in-part of application No. 29/444,254, filed on Jan. 29, 2013, now Pat. No. Des. 698,612, said application No. 29/511,184 is a continuation-in-part of application No. 14/513,474, filed on Oct. 14, 2014, now abandoned.

- (51) **LOC (11) Cl.** **06-06**
- (52) **U.S. Cl.**
USPC **D6/675.2**
- (58) **Field of Classification Search**
USPC D34/12, 27; D6/675, 675.1, 675.2;
D3/304, 306, 307, 308, 314
CPC . A47B 63/00; A47B 2210/04; A47B 2210/05;
A47F 5/0018; A47F 5/01
See application file for complete search history.

(56) **References Cited**

U.S. PATENT DOCUMENTS

- 2,913,128 A * 11/1959 Milner A47B 55/02
108/181
- D292,764 S * 11/1987 Kester D6/675.2

(57) **CLAIM**

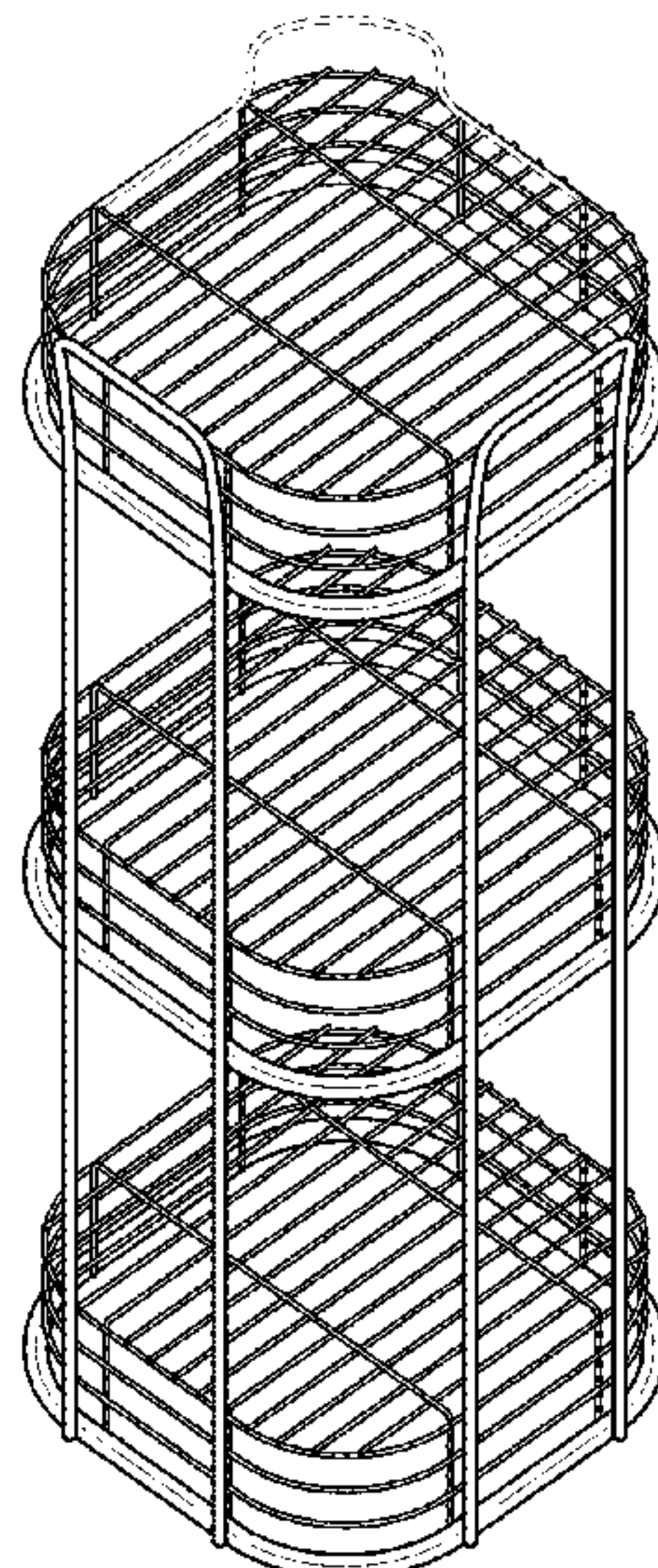
I claim the ornamental design for a holder, as shown and described.

DESCRIPTION

FIG. 1 is a rear/left/bottom perspective view of a first holder; FIG. 2 is a front/right/top perspective view thereof; FIG. 3 is a front elevational view thereof; FIG. 4 is a rear elevational view thereof; FIG. 5 is a left side elevational view thereof; FIG. 6 is a right side elevational view thereof; FIG. 7 is a top plan view thereof; and, FIG. 8 is a bottom plan view thereof.

The broken lines immediately adjacent the shaded areas represent the bounds of the claimed design, while all other broken lines are directed to environment and are for illustrative purposes only; the broken lines form no part of the claimed design.

1 Claim, 7 Drawing Sheets



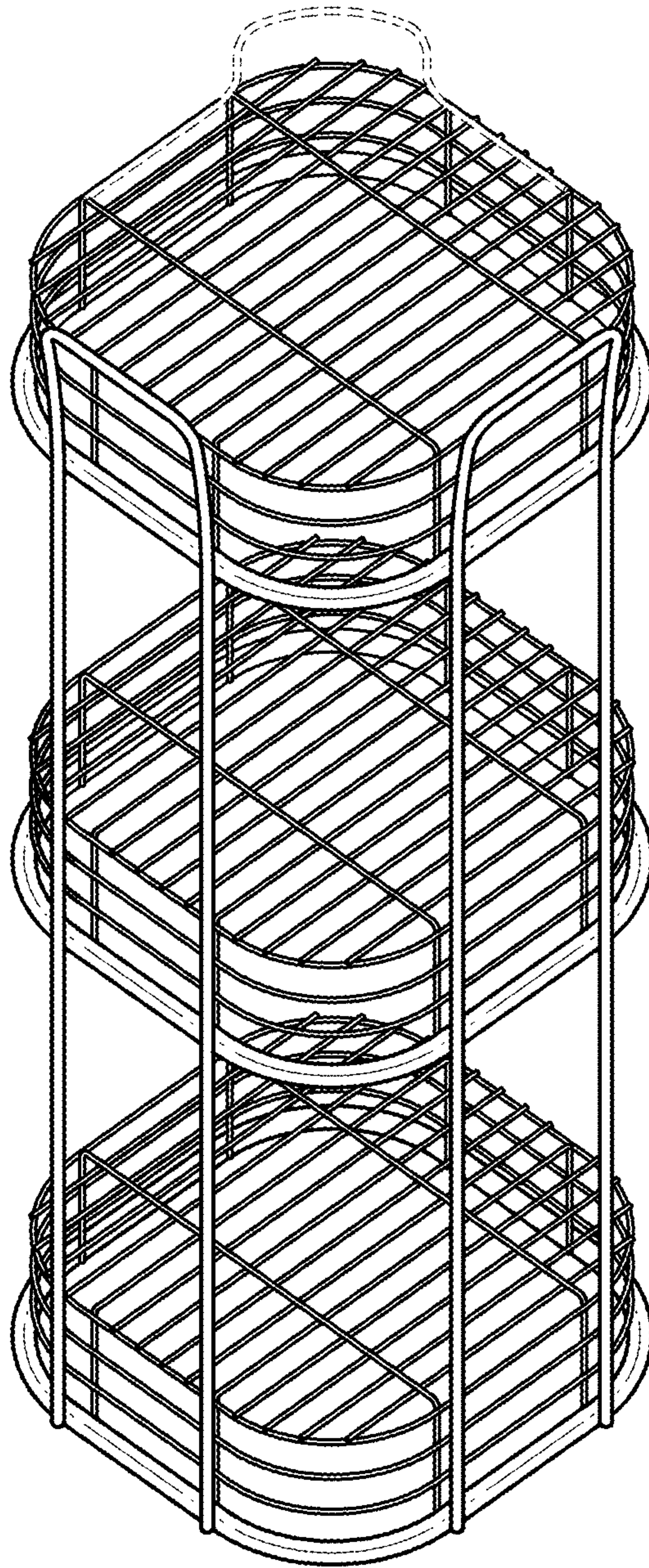


FIG. 1

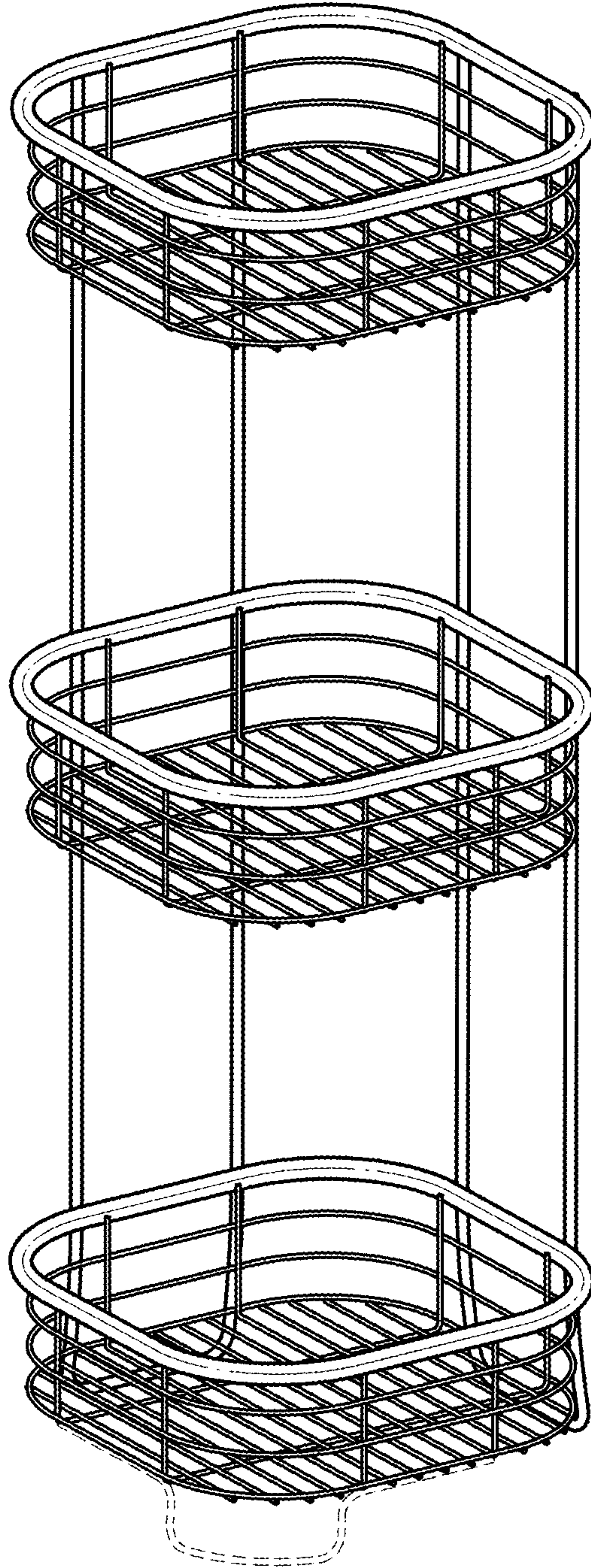


FIG. 2

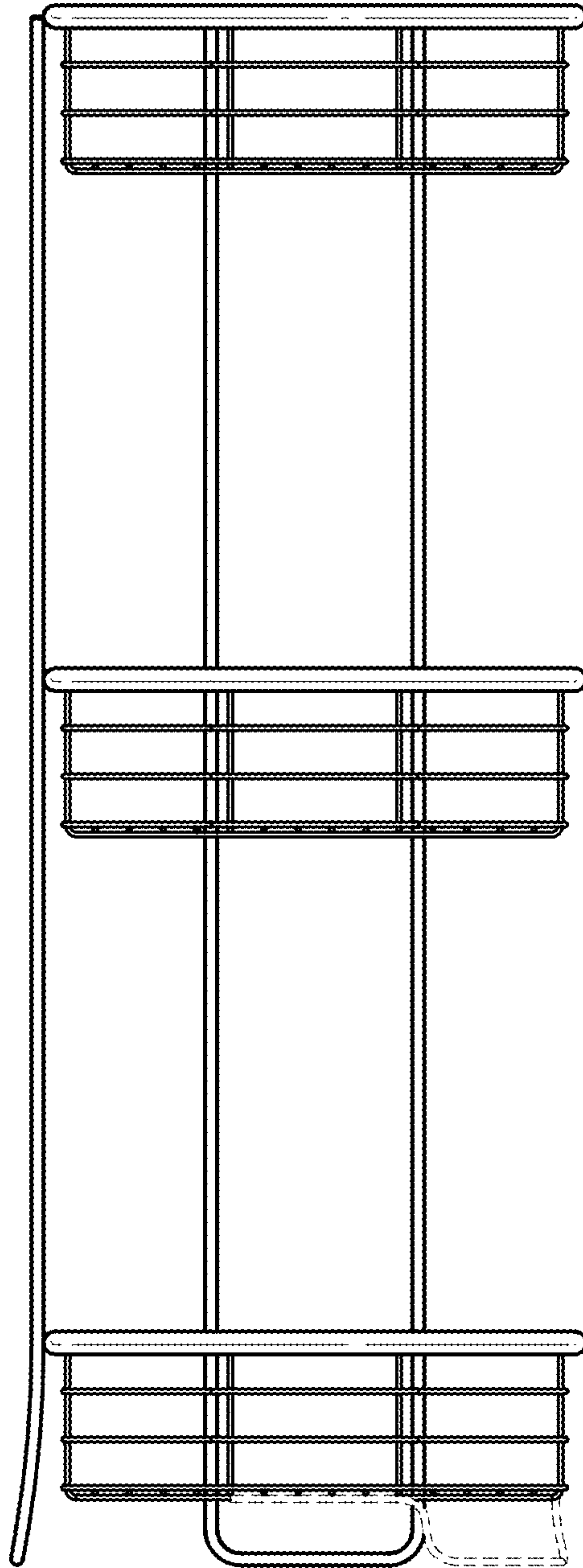


FIG. 3

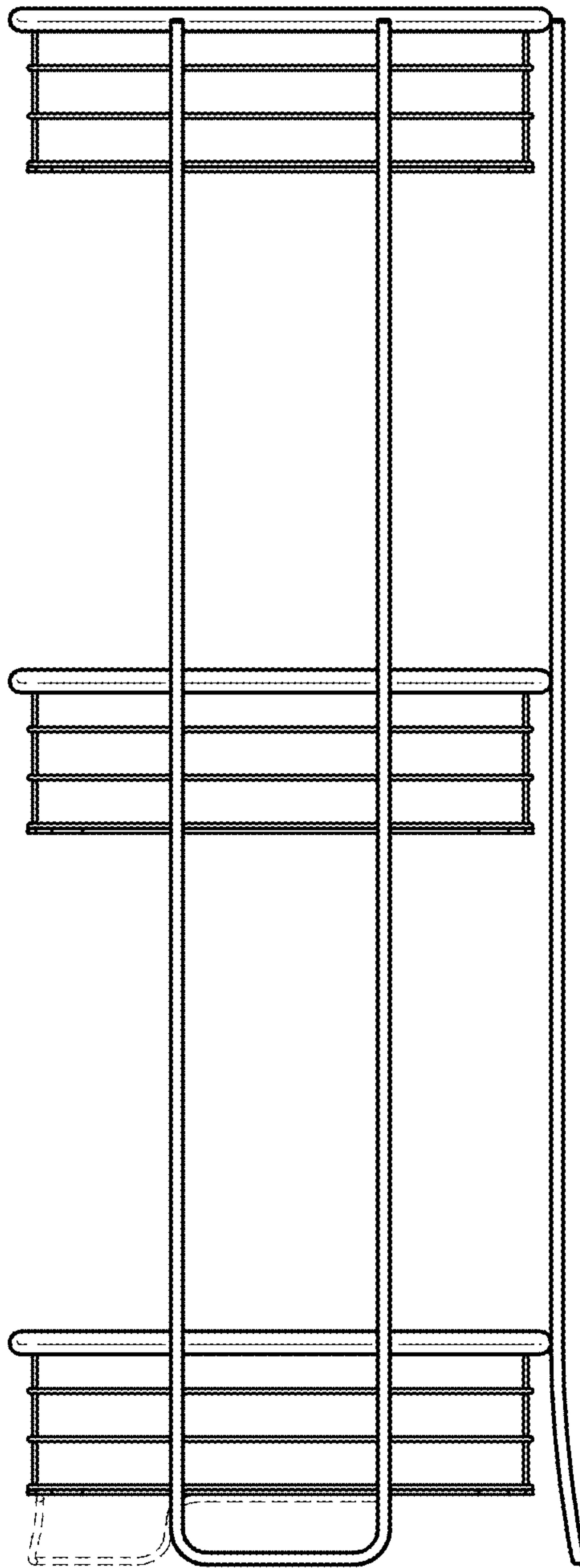


FIG. 4

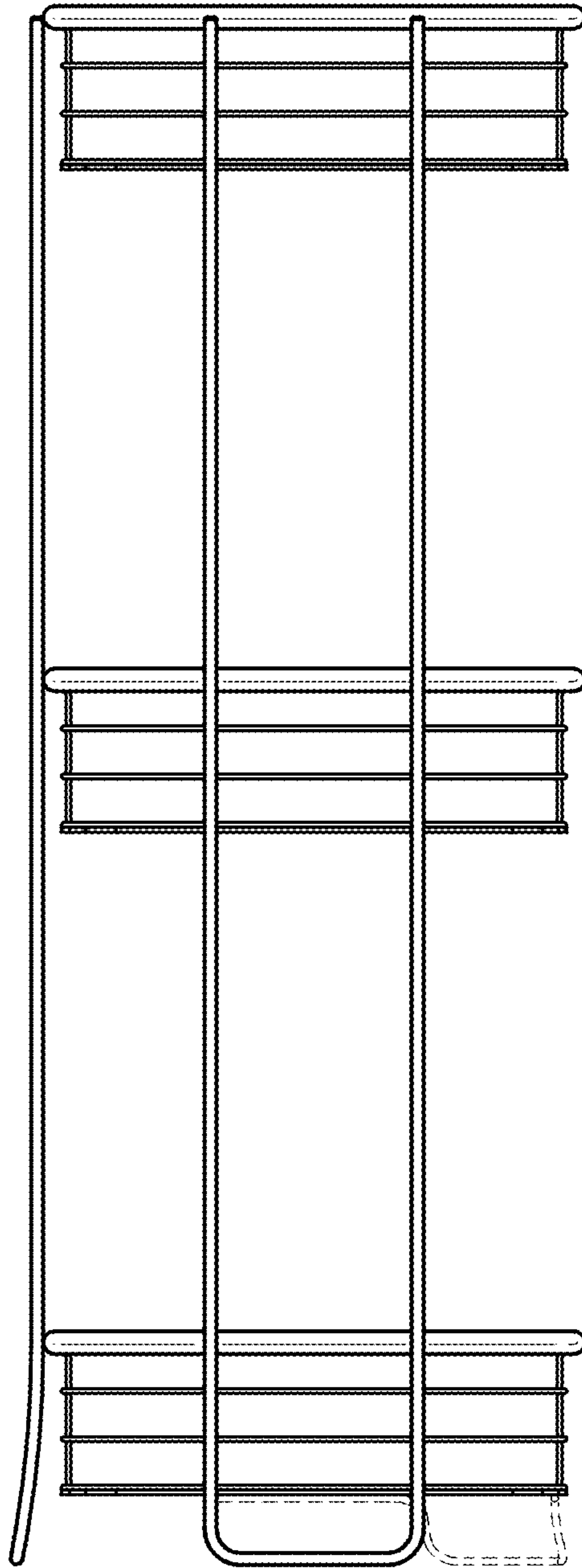


FIG. 5

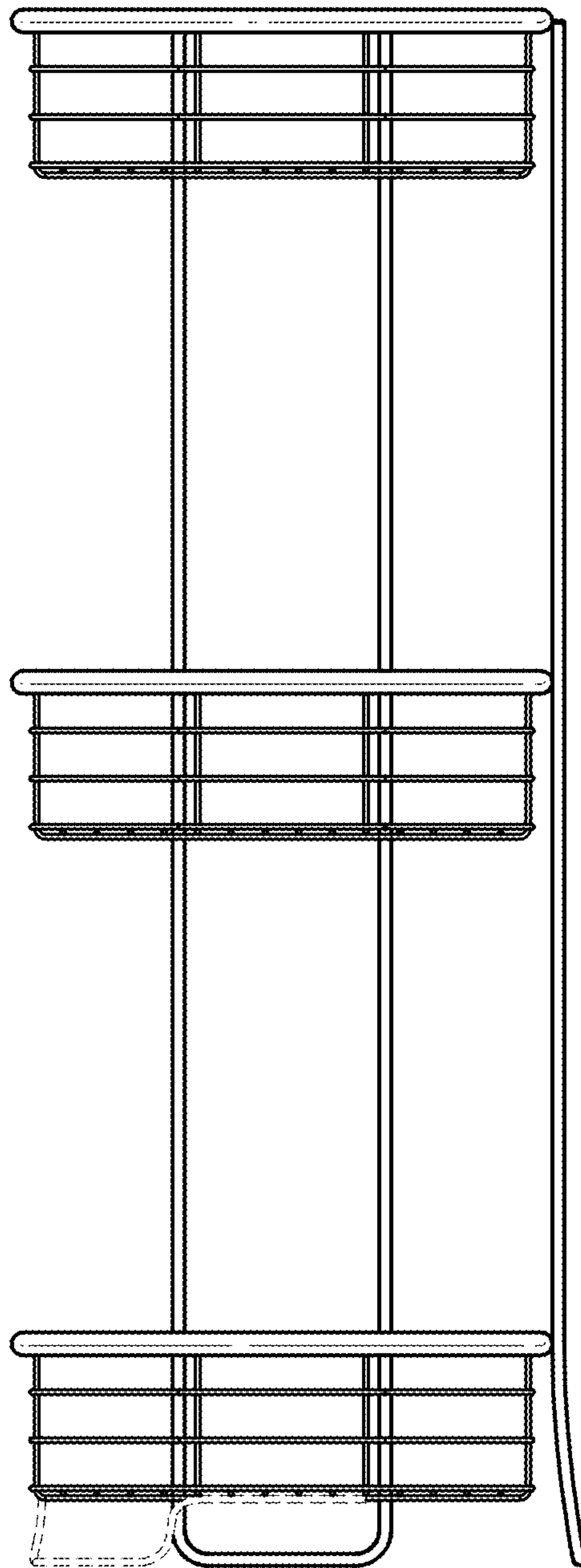


FIG. 6

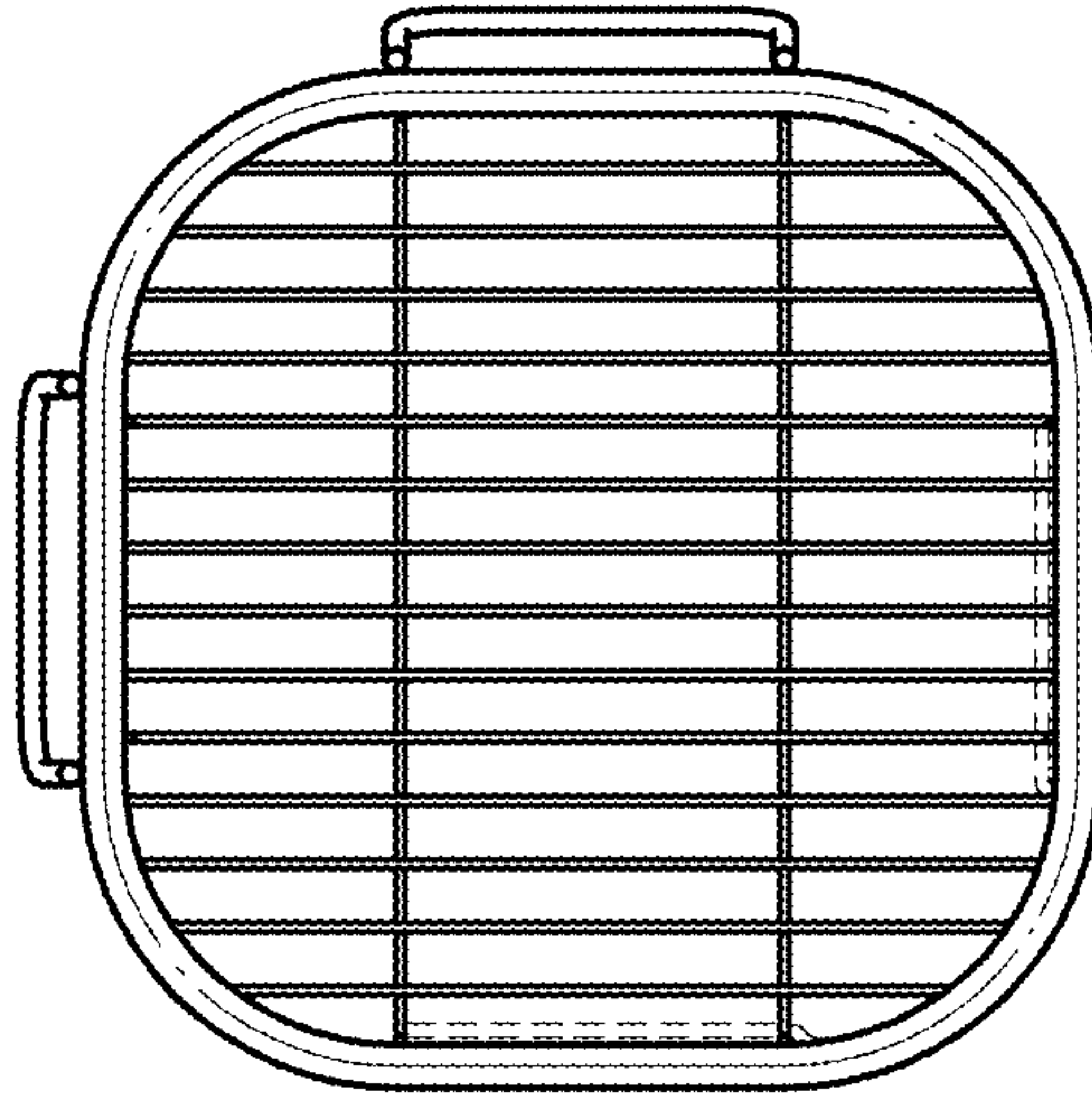


FIG. 7

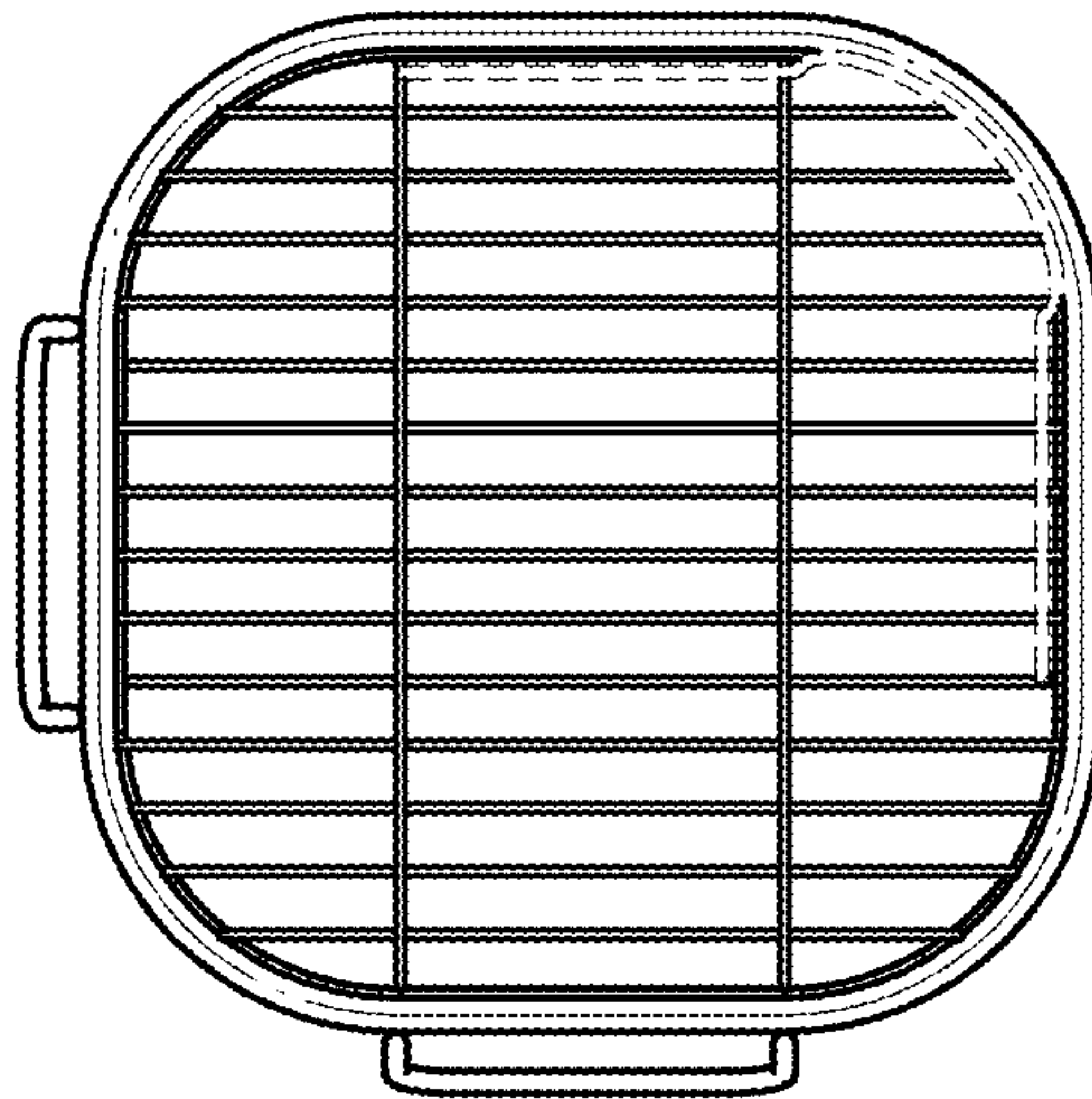


FIG. 8