



US00D815468S

(12) **United States Design Patent** (10) **Patent No.:** **US D815,468 S**
Hannoosh et al. (45) **Date of Patent:** **** Apr. 17, 2018**

(54) **DRESSER**

(71) Applicant: **Williams-Sonoma, Inc.**, San Francisco, CA (US)

(72) Inventors: **Jeffrey C. Hannoosh**, Brooklyn, NY (US); **August Knox**, Brooklyn, NY (US)

(73) Assignee: **Williams-Sonoma, Inc.**, San Francisco, CA (US)

(**) Term: **15 Years**

(21) Appl. No.: **29/590,560**

(22) Filed: **Jan. 11, 2017**

(51) **LOC (11) Cl.** **06-04**

(52) **U.S. Cl.**
USPC **D6/671.1**

(58) **Field of Classification Search**
USPC D5/15, 16, 28, 29, 99; D6/661, 663, D6/668.1, 668.2, 669, 671, 671.1, 671.2, D6/705; D25/48.4, 113, 163
CPC A47B 55/02; A47B 3/00; A47B 81/005; A47B 81/00; A47B 67/02; A47B 77/02; A47B 47/05; A47B 47/024; A47B 47/0066; A47B 87/005; A47B 87/0292; A47B 43/00; A47B 88/49; A47B 88/90; A47G 1/12; A47F 3/002; A47F 3/0413; A47F 5/08; A47F 5/116; A47F 5/0018; A45C 11/16; B42F 17/00; E05C 19/001; F25D 21/14; F25D 23/069; F25D 2400/10; G09F 1/12; H05K 9/0062; Y10T 428/24694

See application file for complete search history.

(56) **References Cited**

U.S. PATENT DOCUMENTS

D198,351 S * 6/1964 MacVlear D6/661
D401,443 S * 11/1998 Zaidman D6/671.1
D413,030 S * 8/1999 Wanek D6/671.1

D440,430 S * 4/2001 Hutton D6/671.1
D488,002 S * 4/2004 Wanek D6/671.1
D508,347 S * 8/2005 Juneau D6/671.1
D513,138 S * 12/2005 Mohundro D6/668.2
D518,975 S * 4/2006 Mohundro D6/668.2
D523,258 S * 6/2006 De Blaay D6/671.1
D526,813 S * 8/2006 Cook D6/668.2
D533,733 S * 12/2006 Boerner D6/671.1
D542,057 S * 5/2007 Juneau D6/671.1
D547,568 S * 7/2007 Mohundro D6/668.2
D560,388 S * 1/2008 Bacon D6/668.2
D596,421 S * 7/2009 Kanthasamy D6/671.1
D609,497 S * 2/2010 Kanthasamy D6/671.1
D666,438 S * 9/2012 Cressman D6/705
D668,079 S * 10/2012 Domack D6/671.1

OTHER PUBLICATIONS

“Midcentury Modern 6 Drawer Dresser” Dec. 10, 2015, wayfair.com, site visited Jan. 11, 2018 <<https://www.wayfair.com/furniture/pdp/urbangreen-furniture-midcentury-modern-6-drawer-dresser-ubgr1295.html>> (Year: 2015).*

* cited by examiner

Primary Examiner — Kevin K Rudzinski
Assistant Examiner — Paul D Bohannon
(74) *Attorney, Agent, or Firm* — Cook Alex Ltd.; R. Blake Johnston

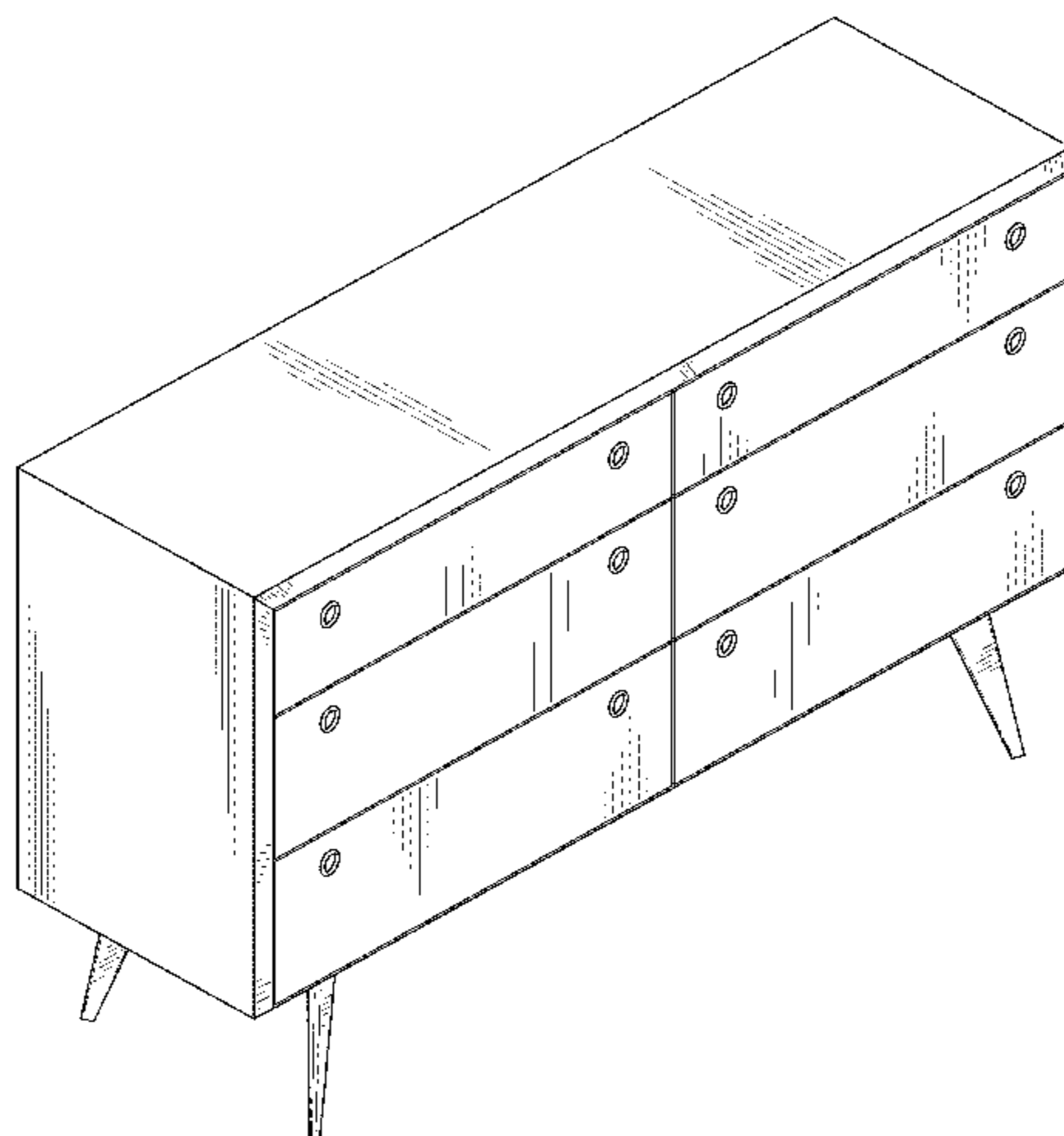
(57) **CLAIM**

The ornamental design for a dresser, as shown and described.

DESCRIPTION

FIG. 1 is a perspective view of the dresser;
FIG. 2 is a front elevational view of the dresser;
FIG. 3 is a rear elevational view of the dresser;
FIG. 4 is a left side elevational view of the dresser, the opposite side of which is a mirror image;
FIG. 5 is a top plan view of the dresser; and,
FIG. 6 is a bottom plan view of the dresser.

1 Claim, 5 Drawing Sheets



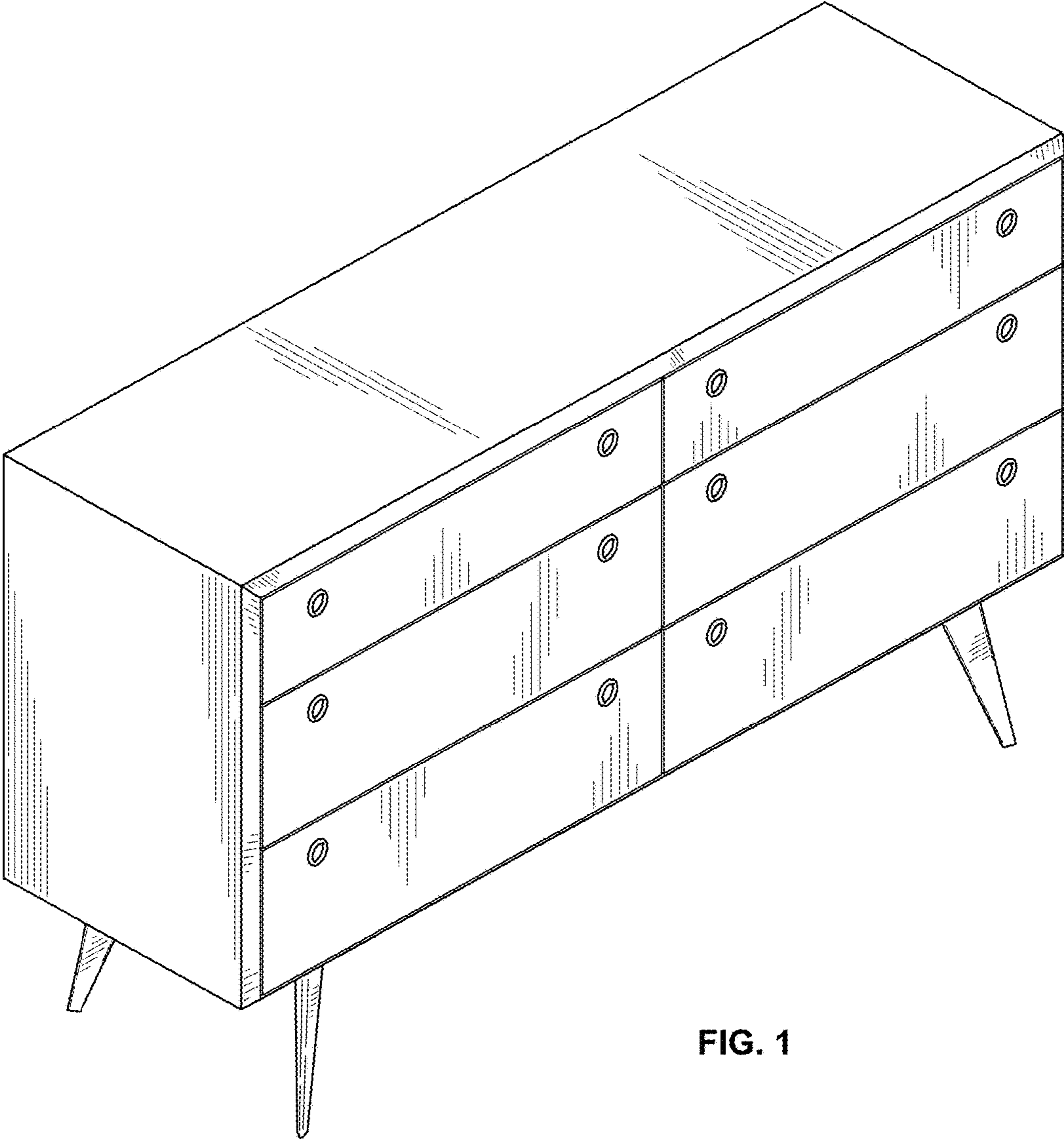


FIG. 1

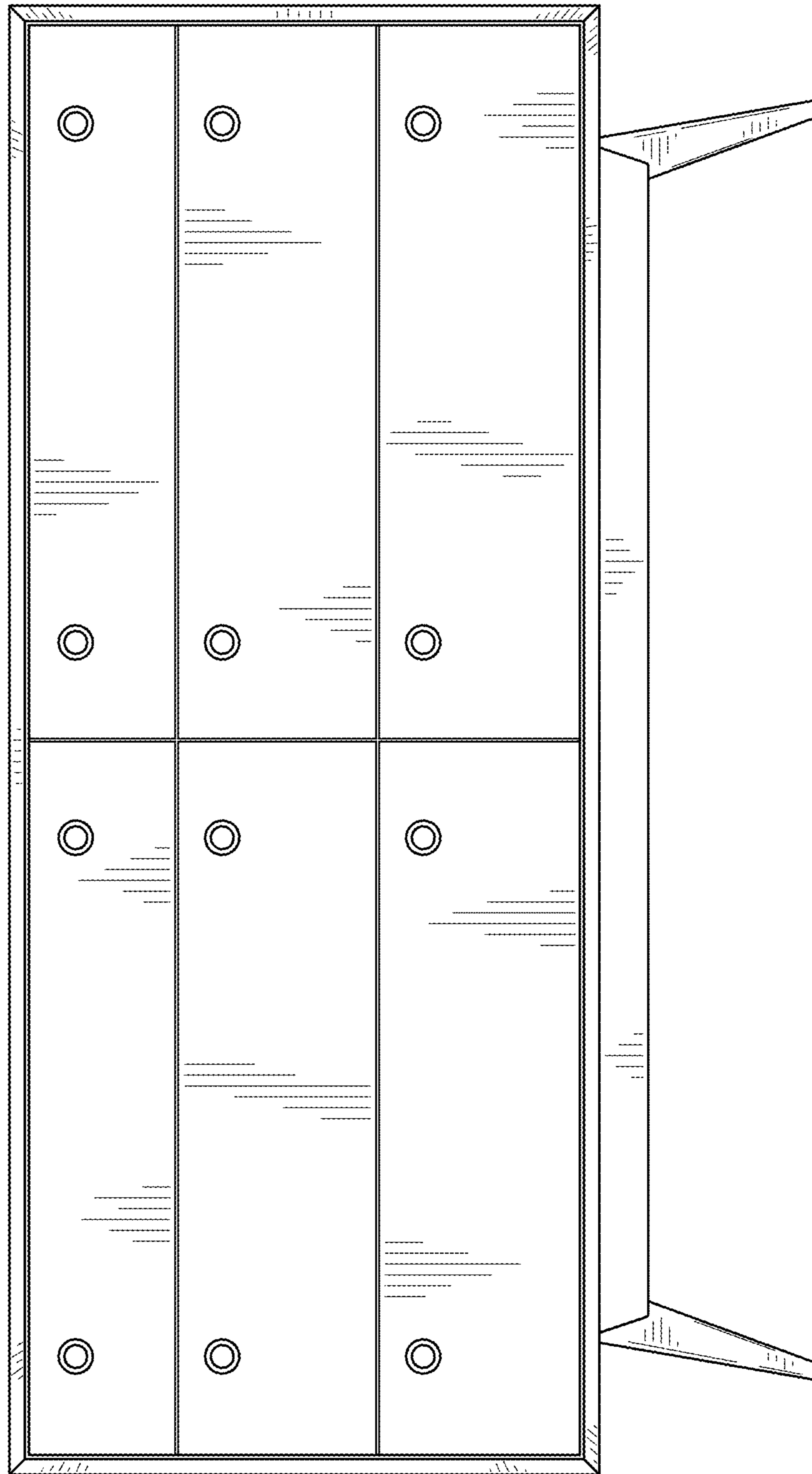


FIG. 2

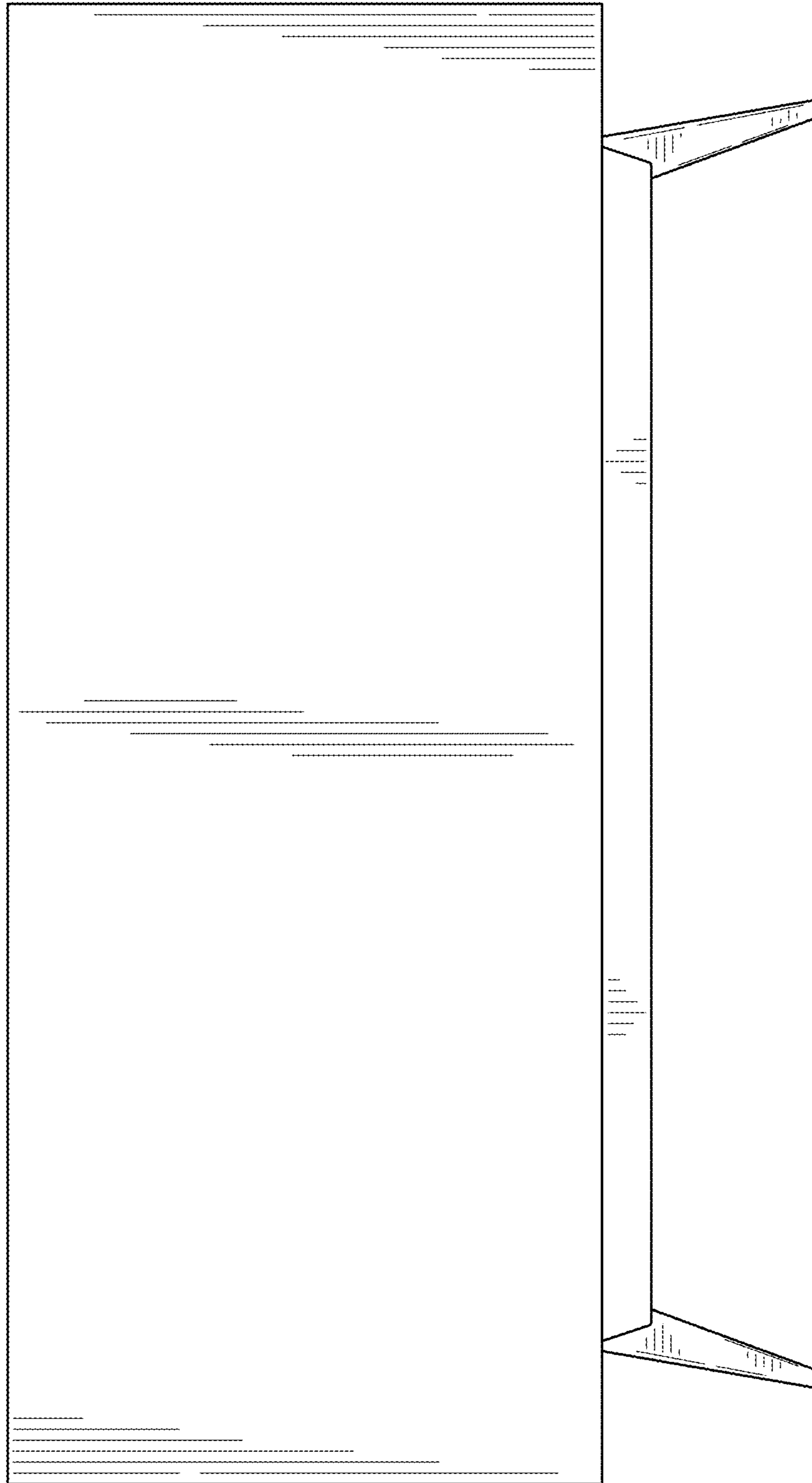


FIG. 3

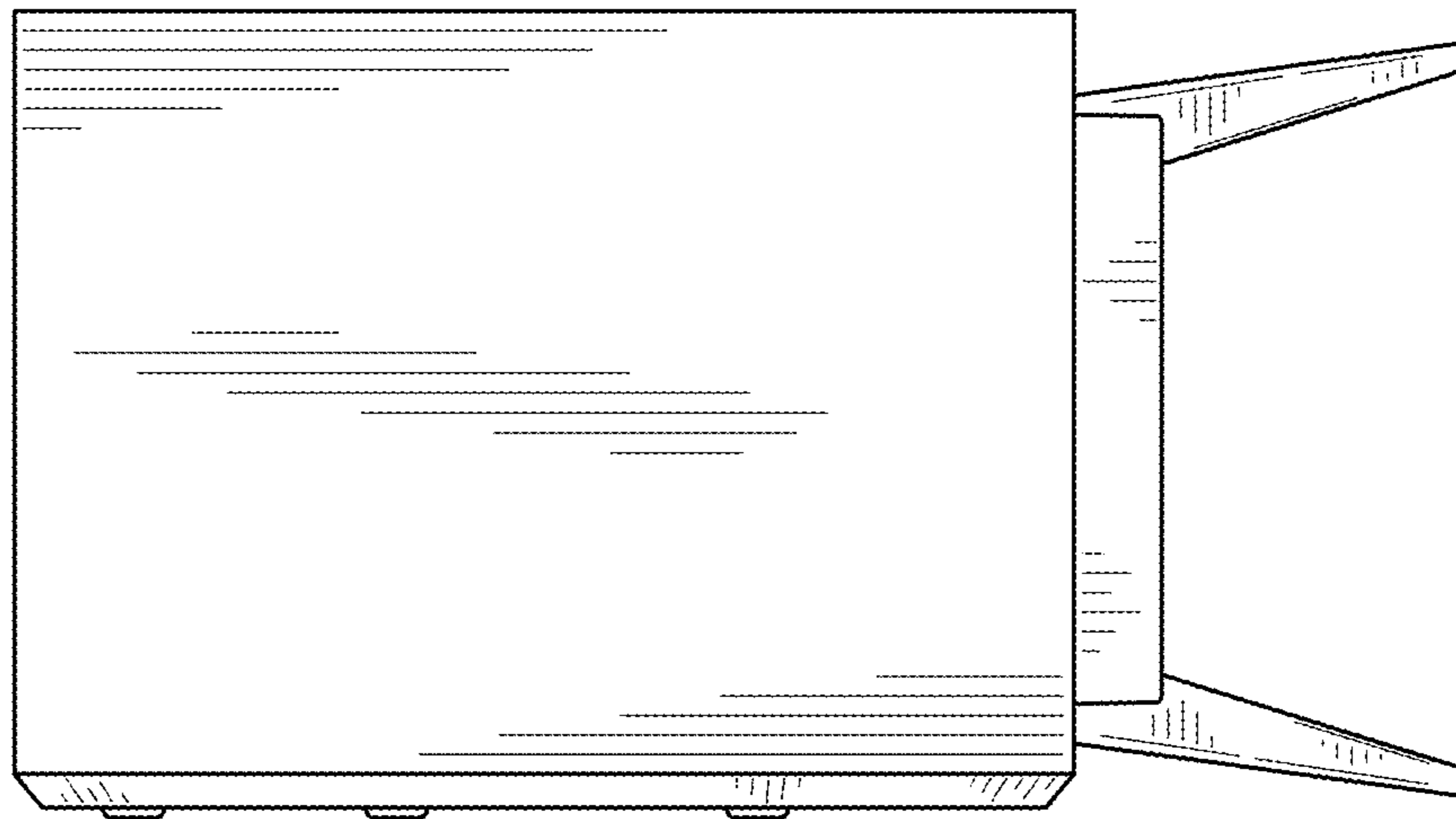


FIG. 4

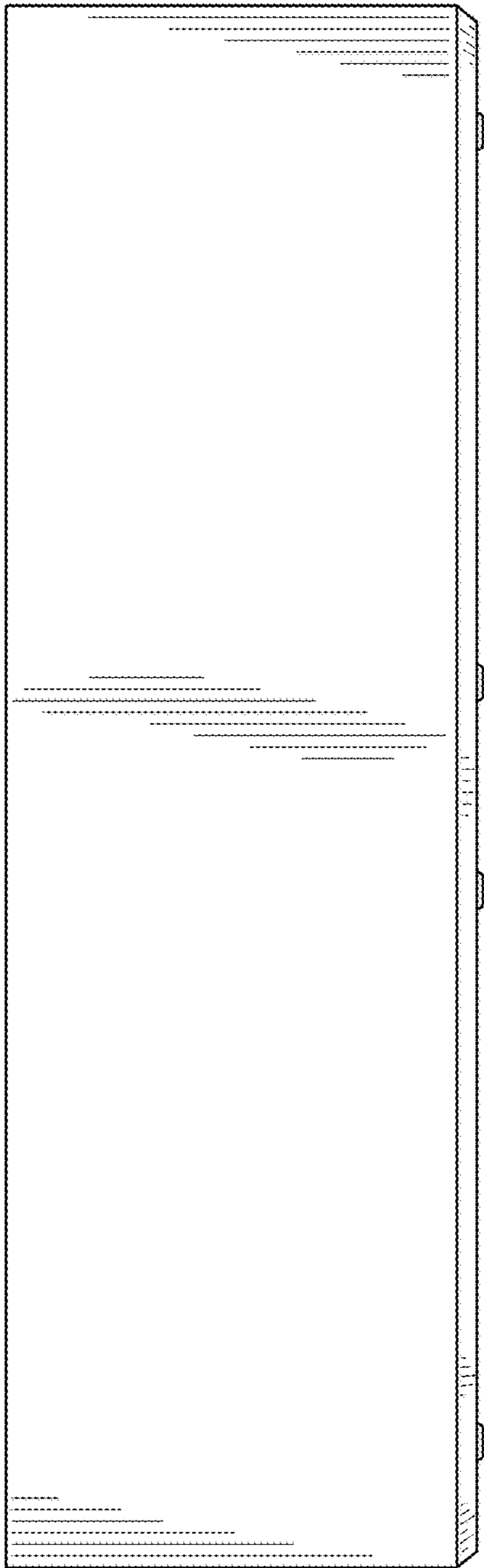


FIG. 5

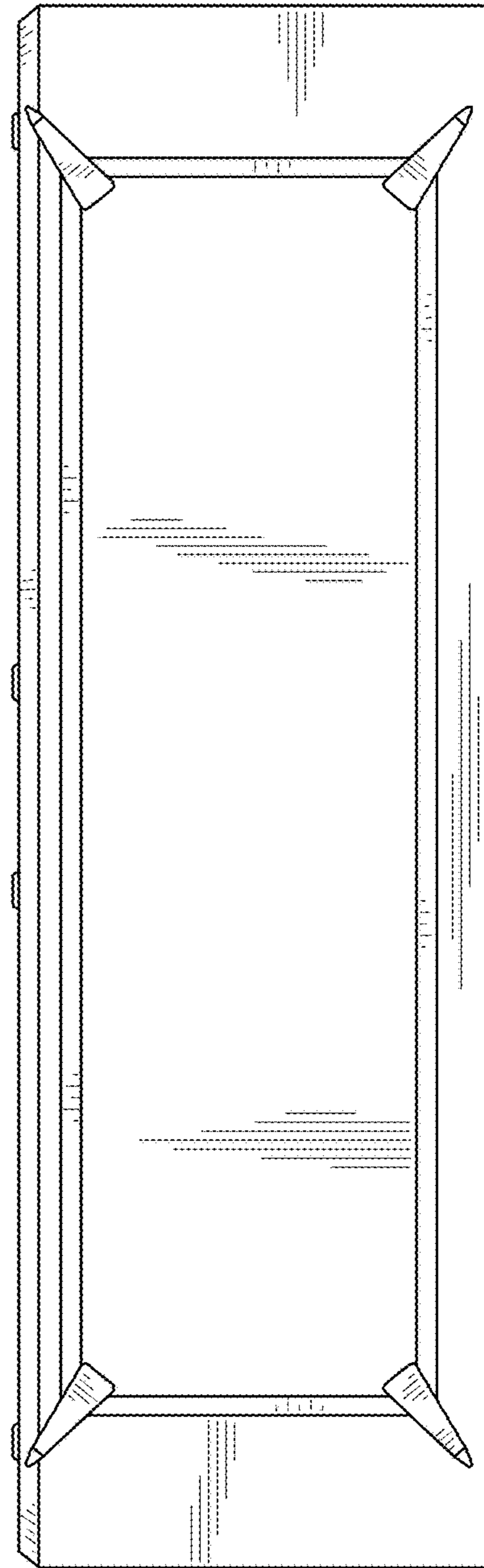


FIG. 6