



US00D815466S

(12) **United States Design Patent**
Hannoosh et al.

(10) **Patent No.:** **US D815,466 S**
(45) **Date of Patent:** **** Apr. 17, 2018**

(54) **NIGHTSTAND**
(71) Applicant: **Williams-Sonoma, Inc.**, San Francisco, CA (US)
(72) Inventors: **Jeffrey C. Hannoosh**, Brooklyn, NY (US); **August Knox**, Brooklyn, NY (US)
(73) Assignee: **Williams-Sonoma, Inc.**, San Francisco, CA (US)
(**) Term: **15 Years**
(21) Appl. No.: **29/590,536**

D167,770 S * 9/1952 Porter D6/671.1
D177,159 S * 3/1956 Van Koert D6/671.1
D182,839 S * 5/1958 Lubberts et al. D6/657
D187,232 S * 2/1960 Matyas D18/59
2,960,373 A * 11/1960 Caruso G07F 9/10
221/131
D385,725 S * 11/1997 Lewis D6/671.1
D388,634 S * 1/1998 Mulligan D6/657
D401,081 S * 11/1998 Zaidman D6/671.1
D403,887 S * 1/1999 Hutton D6/657
D414,351 S * 9/1999 Tabbia D6/671.1
D424,832 S * 5/2000 Lacroix D6/671.1
D424,833 S * 5/2000 Zaidman D6/671.1
D440,074 S * 4/2001 Hutton D6/671.1
D443,439 S * 6/2001 de Blois D6/671.1
D446,119 S * 8/2001 Sabo D9/446

(Continued)

(22) Filed: **Jan. 11, 2017**
(51) **LOC (11) Cl.** **06-04**
(52) **U.S. Cl.**
USPC **D6/671.1**
(58) **Field of Classification Search**
USPC D5/15, 16, 28, 29, 99; D6/661, 663, D6/668.1, 668.2, 669, 671, 671.1, 671.2, D6/705; D25/48.4, 113, 163
CPC A47B 55/02; A47B 3/00; A47B 81/005; A47B 81/00; A47B 67/02; A47B 77/02; A47B 47/05; A47B 47/024; A47B 47/0066; A47B 87/005; A47B 87/0292; A47B 43/00; A47B 88/49; A47B 88/90; A47G 1/12; A47F 3/002; A47F 3/0413; A47F 5/08; A47F 5/116; A47F 5/0018; A45C 11/16; B42F 17/00; E05C 19/001; F25D 21/14; F25D 23/069; F25D 2400/10; G09F 1/12; G09F 9/10; H05K 9/0062; Y10T 428/24694
See application file for complete search history.

OTHER PUBLICATIONS

“Ikea Nightstand Hack” Mar. 12, 2014, Our House Home Blog, site visited Jan. 17, 2018 <<http://ourhousetohomeblog.blogspot.com/2014/03/ikea-nightstand-hack.html>> (Year: 2014).*

Primary Examiner — Kevin K Rudzinski
Assistant Examiner — Paul D Bohannon
(74) *Attorney, Agent, or Firm* — Cook Alex Ltd.; R. Blake Johnston

(57) **CLAIM**

The ornamental design for a nightstand, as shown and described.

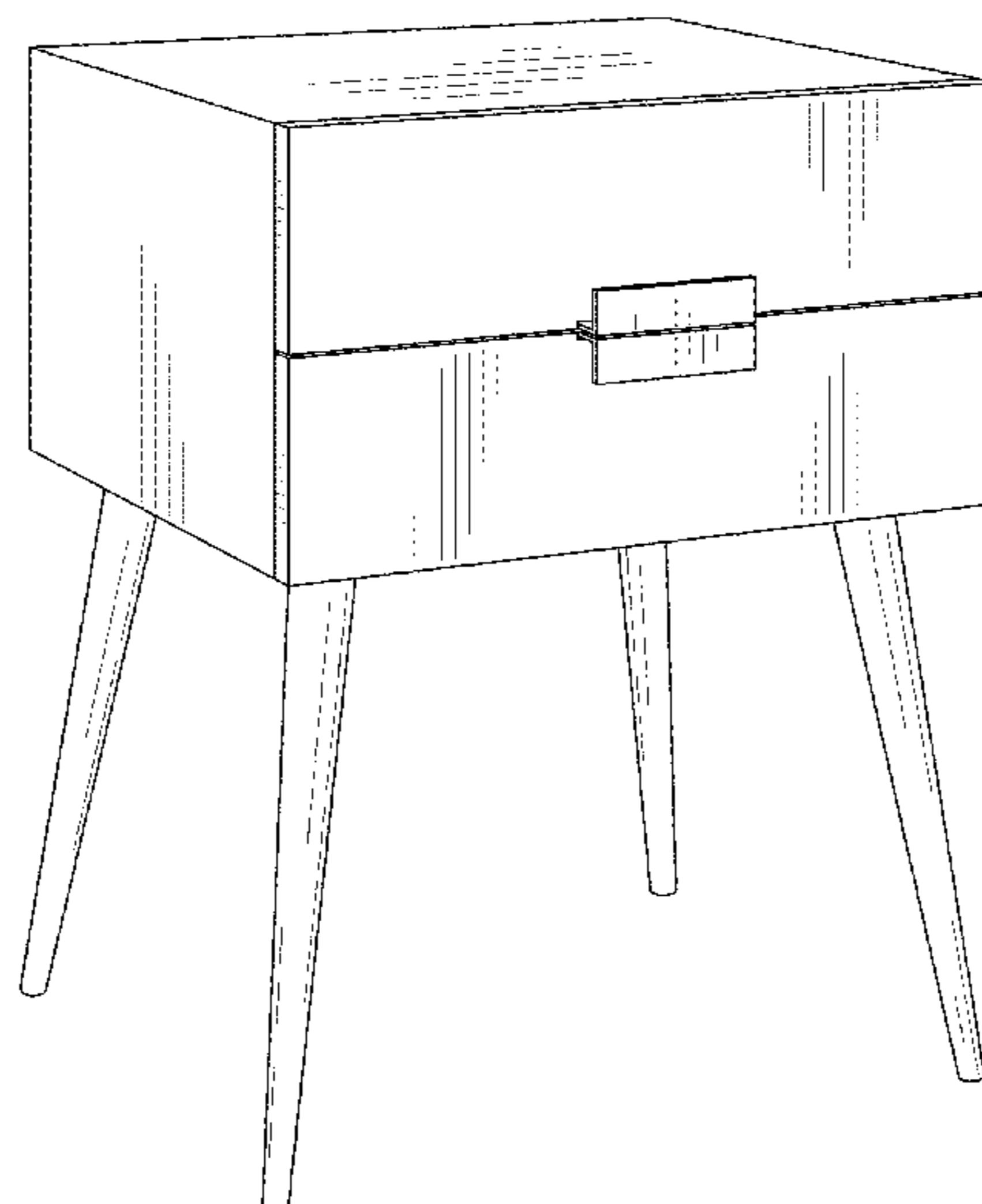
DESCRIPTION

FIG. 1 is a perspective view of the nightstand;
FIG. 2 is a front elevational view of the nightstand;
FIG. 3 is a rear elevational view of the nightstand;
FIG. 4 is a left side elevational view of the nightstand, the opposite side of which is a mirror image;
FIG. 5 is a top plan view of the nightstand; and,
FIG. 6 is a bottom plan view of the nightstand.

1 Claim, 5 Drawing Sheets

(56) **References Cited**
U.S. PATENT DOCUMENTS

D113,318 S * 2/1939 Barnett D16/230
D165,243 S * 11/1951 Porter D6/671.1



(56)

References Cited

U.S. PATENT DOCUMENTS

D490,628	S	*	6/2004	Juneau	D6/671.1
D513,371	S	*	1/2006	Juneau	D6/671.1
D533,731	S	*	12/2006	Boerner	D6/657
D590,633	S	*	4/2009	Jeup	D6/671.1
D604,959	S	*	12/2009	Good	D6/657
D690,963	S	*	10/2013	Stukenberg	D6/663
D717,082	S	*	11/2014	Dworman	D6/657
D799,860	S	*	10/2017	Schmitt	D6/663
D805,817	S	*	12/2017	Beckman	D6/691.1

* cited by examiner

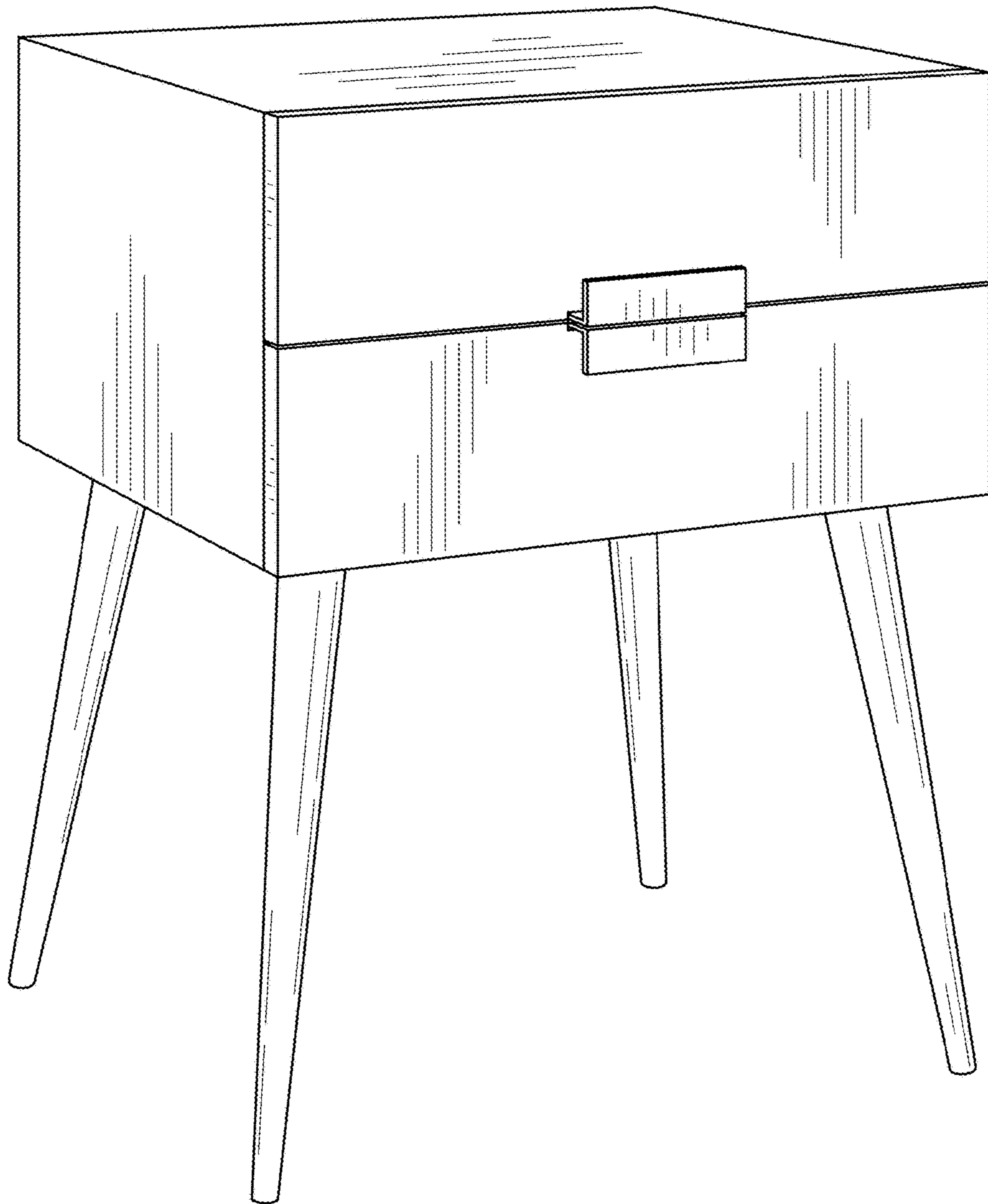


FIG. 1

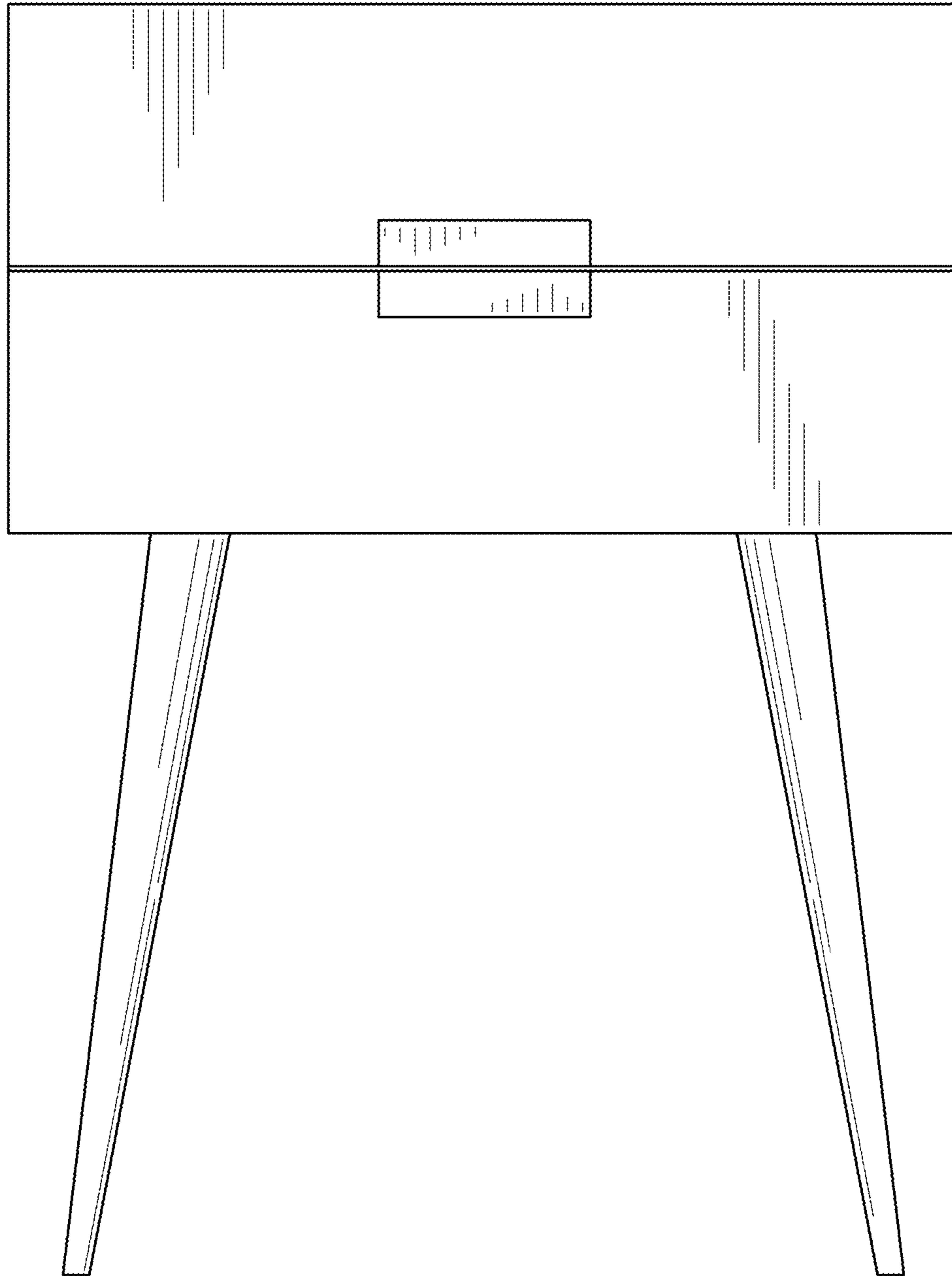


FIG. 2

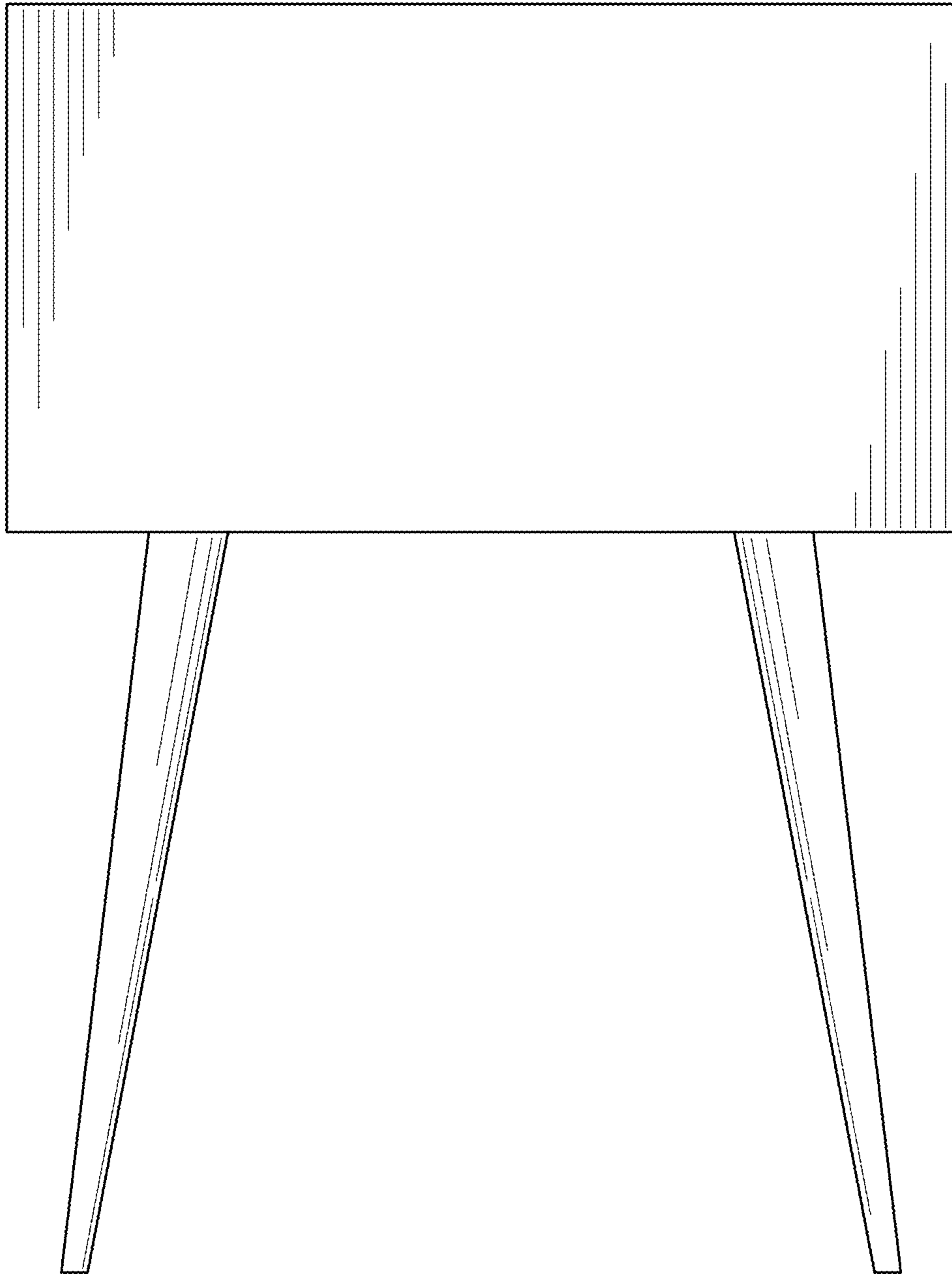


FIG. 3

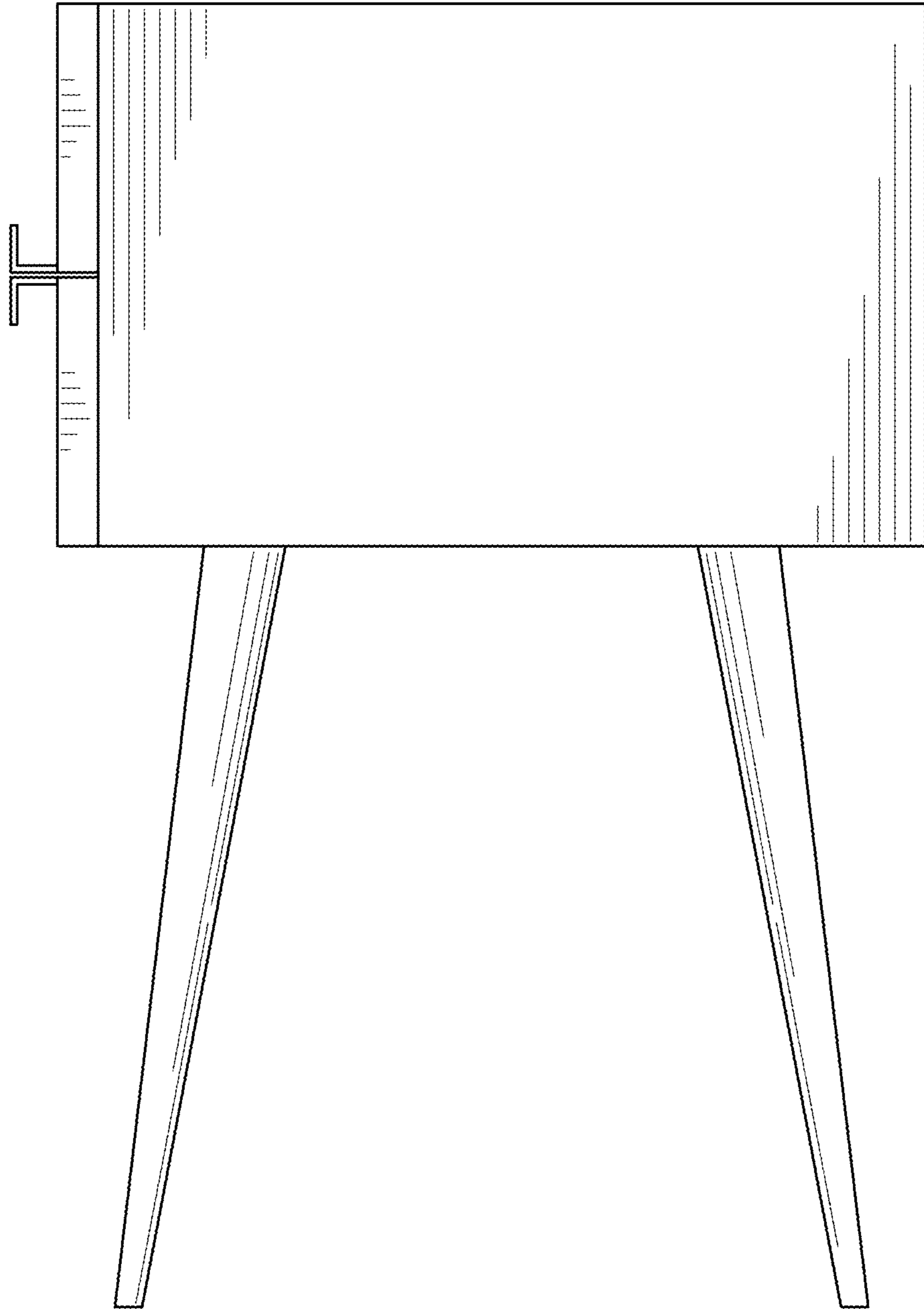


FIG. 4



FIG. 5

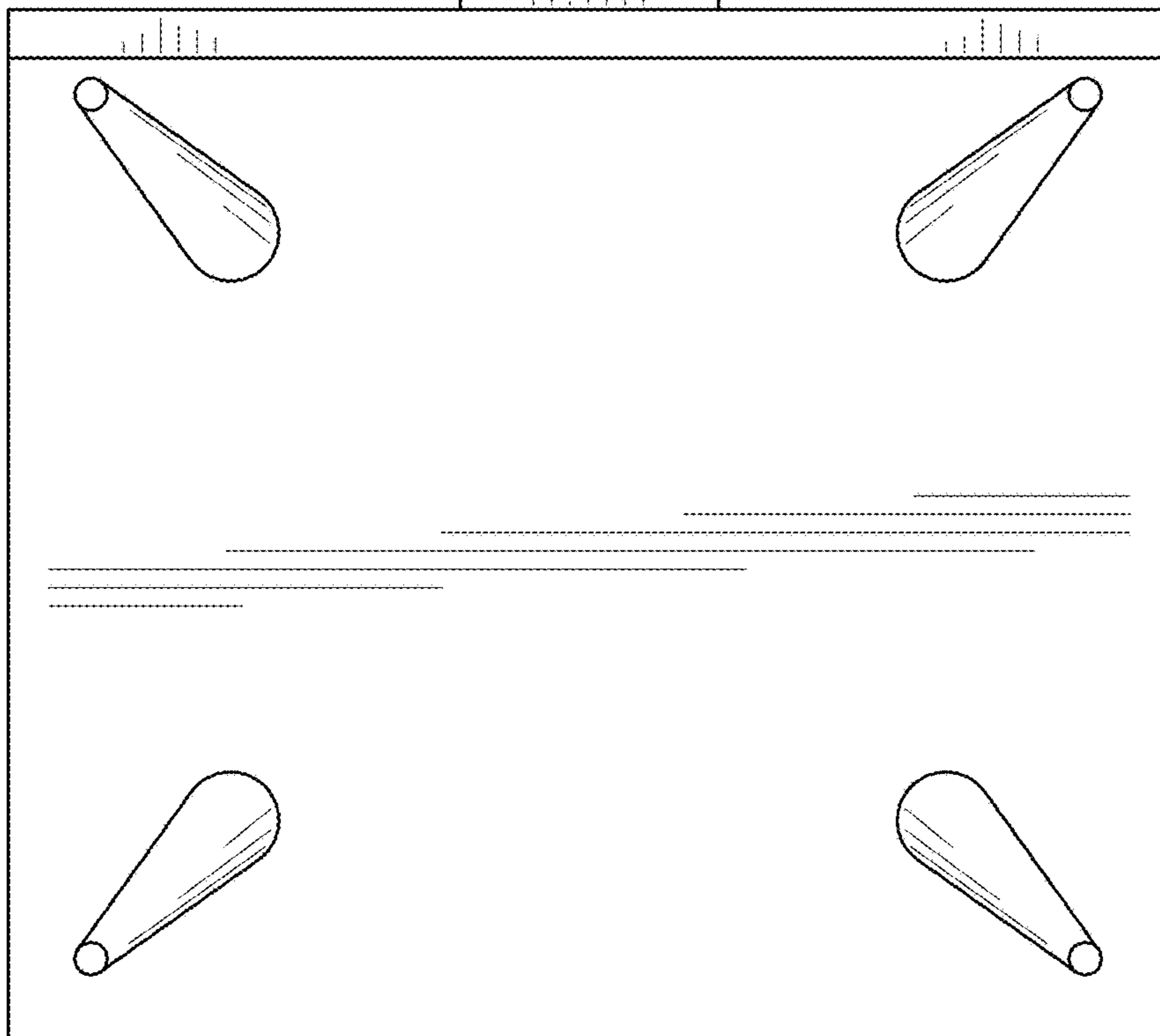


FIG. 6