



US00D815464S

(12) **United States Design Patent**
Caillouet

(10) **Patent No.:** **US D815,464 S**

(45) **Date of Patent:** **** Apr. 17, 2018**

(54) **TWO-SIDED STORAGE BIN**

(71) Applicant: **Williams-Sonoma, Inc.**, San Francisco, CA (US)

(72) Inventor: **Rebecca Caillouet**, Brooklyn, NY (US)

(73) Assignee: **Williams-Sonoma, Inc.**, San Francisco, CA (US)

(**) Term: **15 Years**

(21) Appl. No.: **29/555,844**

(22) Filed: **Feb. 25, 2016**

(51) **LOC (11) Cl.** **06-04**

(52) **U.S. Cl.**
USPC **D6/657**

(58) **Field of Classification Search**
CPC A47B 17/04; A47B 45/00; A47B 47/0025;
A47B 47/0066; A47B 47/021; A47B
47/27; A47B 47/03; A47B 47/04; A47B
63/00

See application file for complete search history.

(56) **References Cited**

U.S. PATENT DOCUMENTS

D122,687 S * 9/1940 Kranz D6/657
D165,088 S * 11/1951 McElgin D6/657
D193,516 S * 9/1962 Deaton D6/657
D210,334 S * 2/1968 Leath D6/662.1

D244,112 S * 4/1977 Friedman D6/657
D244,900 S * 7/1977 Waxman D6/657
D553,879 S * 10/2007 Juneau D6/671
D559,585 S * 1/2008 Lara D6/657
D717,569 S * 11/2014 Davis D6/657
D718,955 S * 12/2014 Helser D6/657
D787,238 S * 5/2017 Miller D6/657

* cited by examiner

Primary Examiner — Mimoso De

(74) *Attorney, Agent, or Firm* — Cook Alex Ltd.; R. Blake Johnston

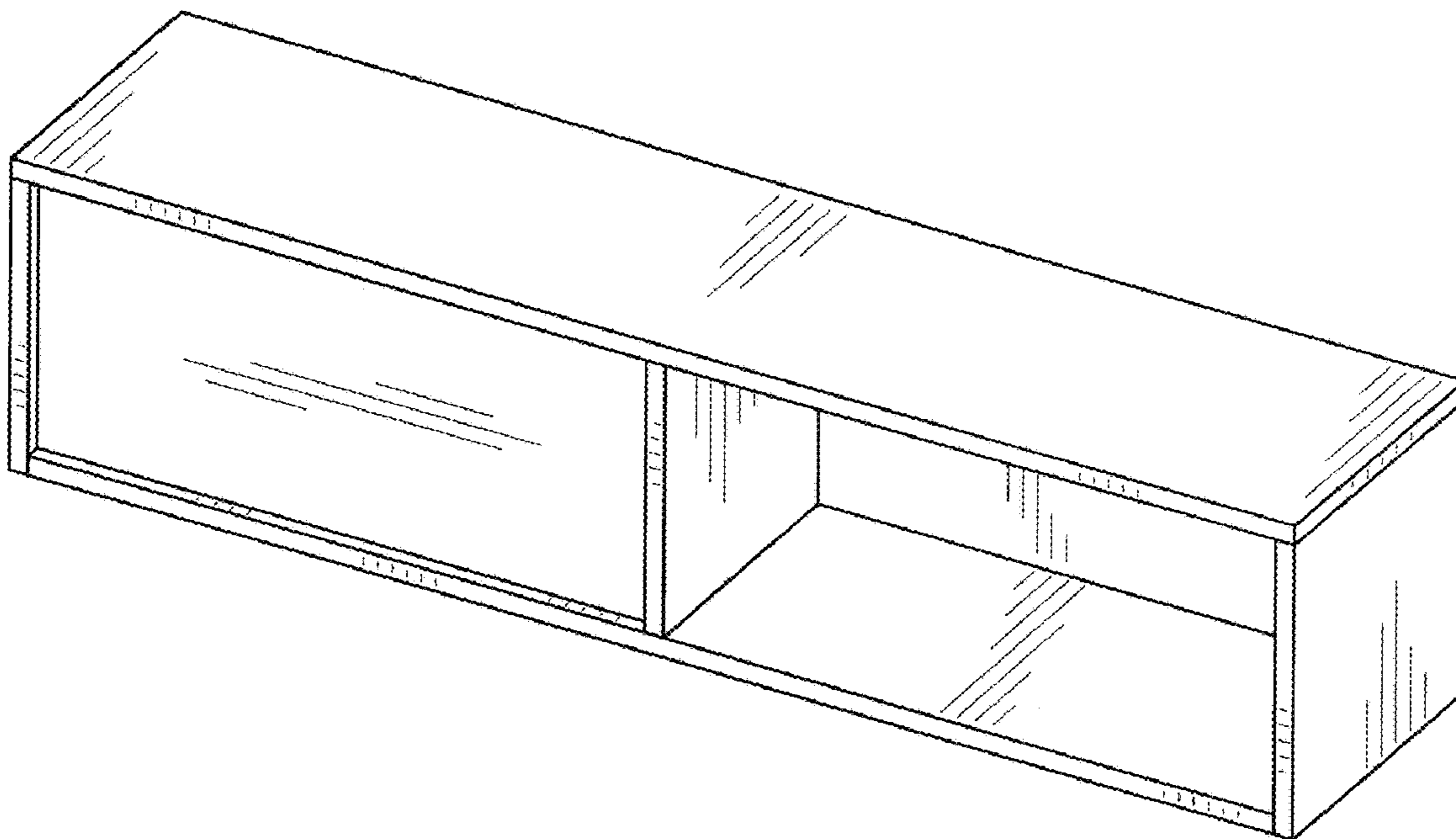
(57) **CLAIM**

The ornamental design for a two-sided storage bin, as shown and described.

DESCRIPTION

FIG. 1 is a perspective view of the two-sided storage bin; FIG. 2 is a front elevational view of the two-sided storage bin; FIG. 3 is a rear elevational view of the two-sided storage bin; FIG. 4 is a left side elevational view of the two-sided storage bin, the opposite side of which is identical; FIG. 5 is a top plan view of the two-sided storage bin; and, FIG. 6 is a bottom plan view of the two-sided storage bin. The broken lines shown in the drawings are for illustrative purposes only and form no part of the claimed design.

1 Claim, 3 Drawing Sheets



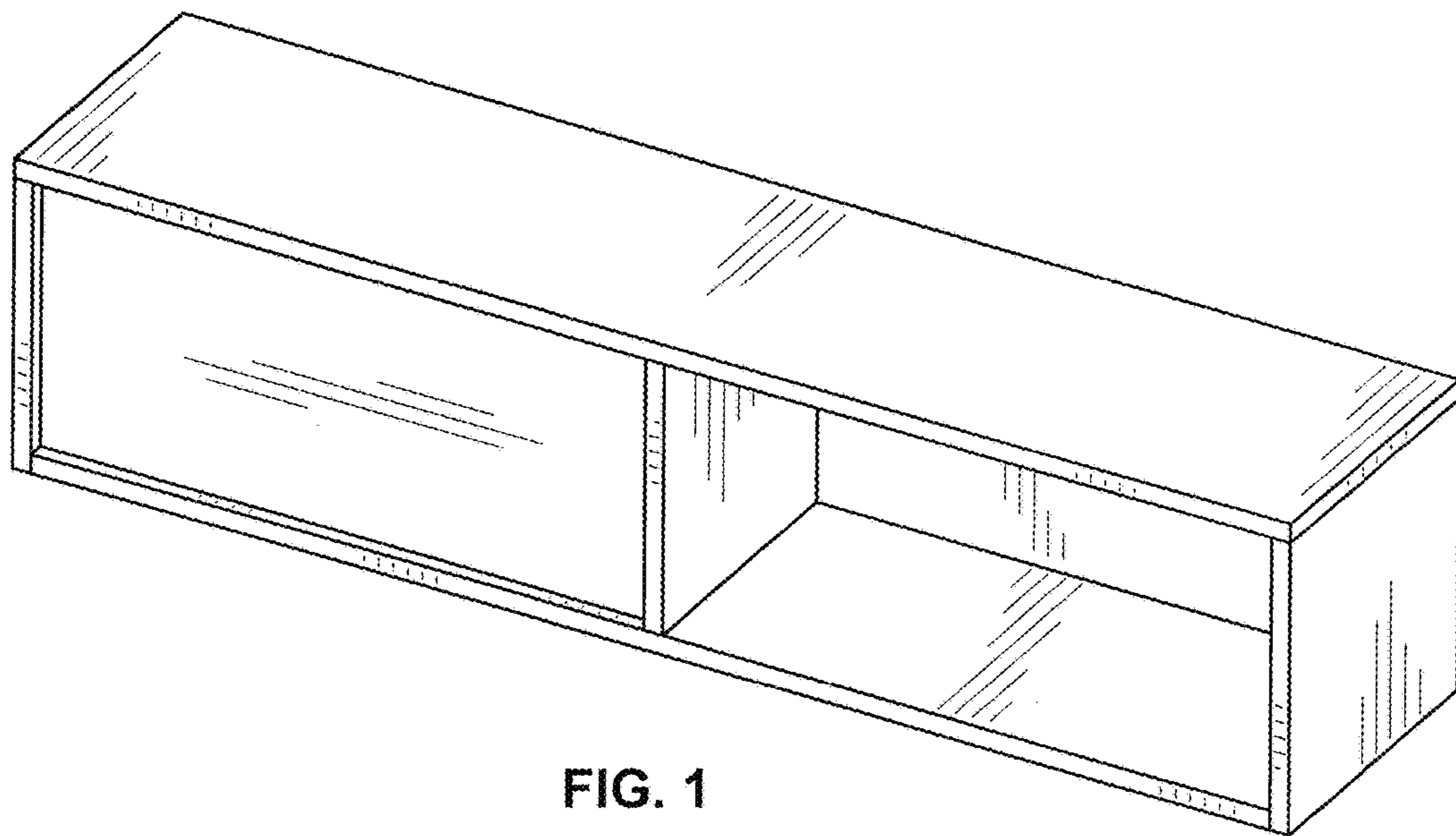


FIG. 1

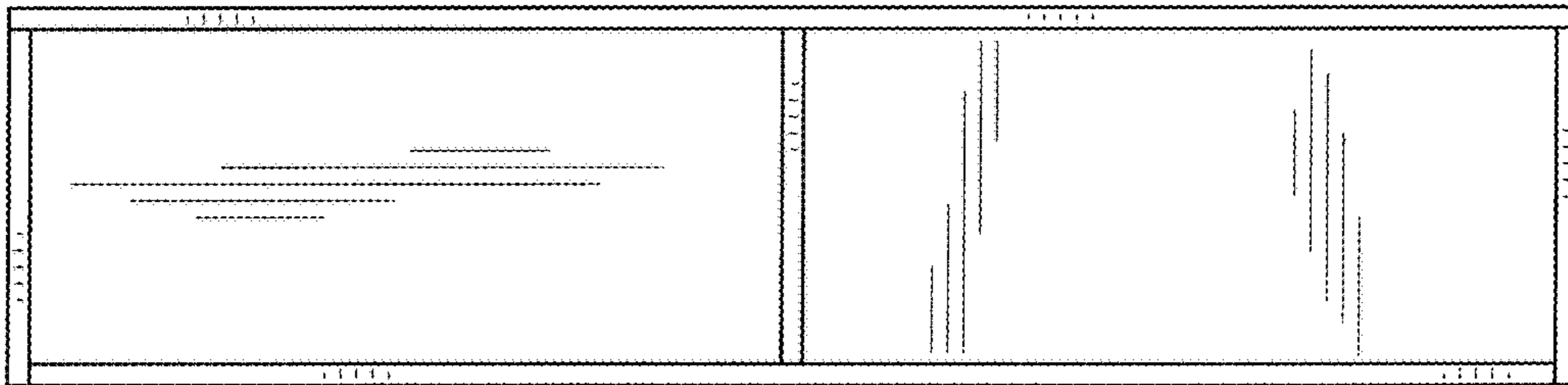


FIG. 2

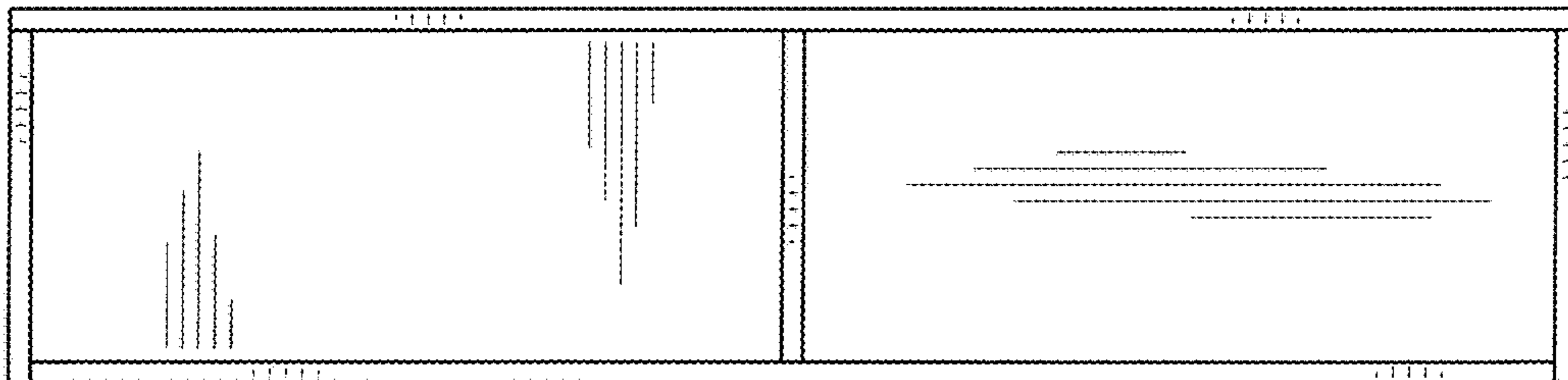


FIG. 3

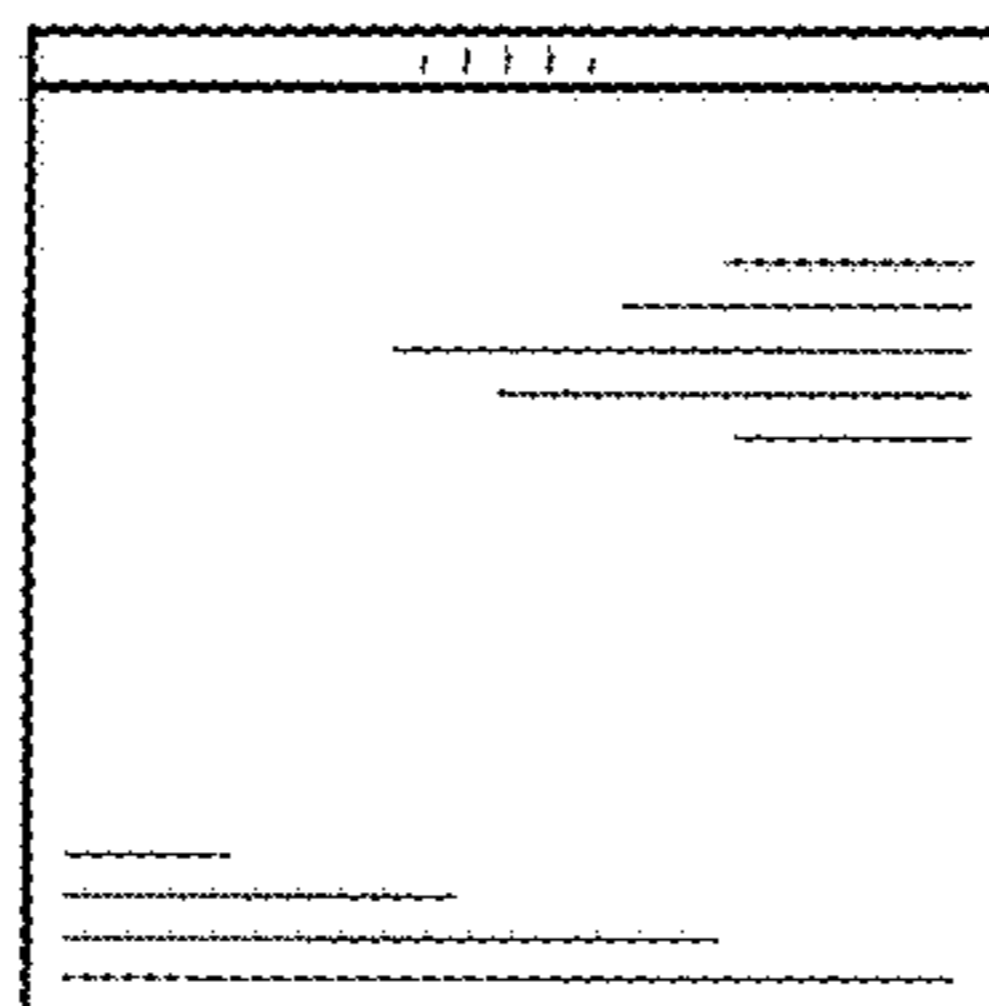


FIG. 4

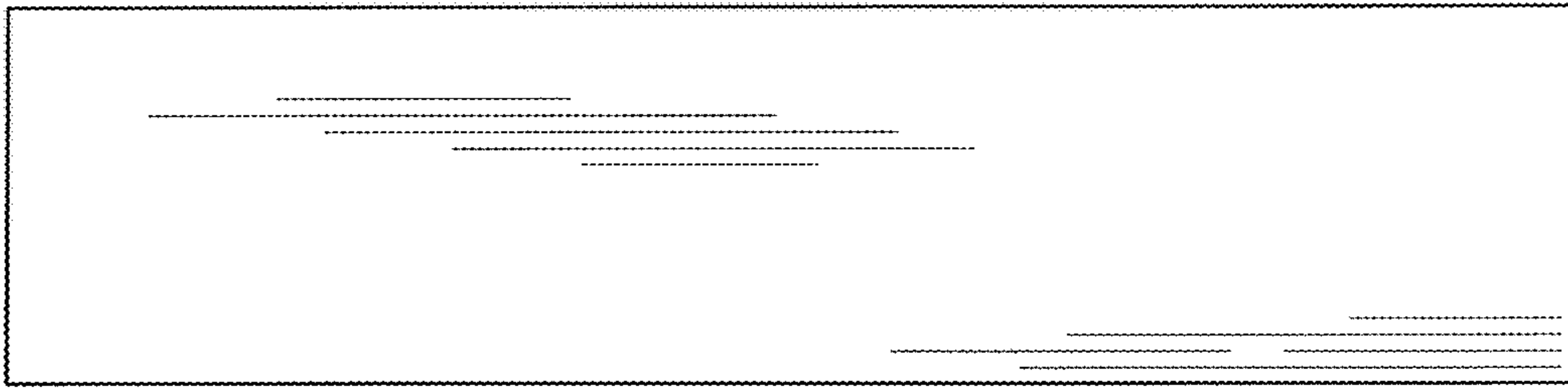


FIG. 5

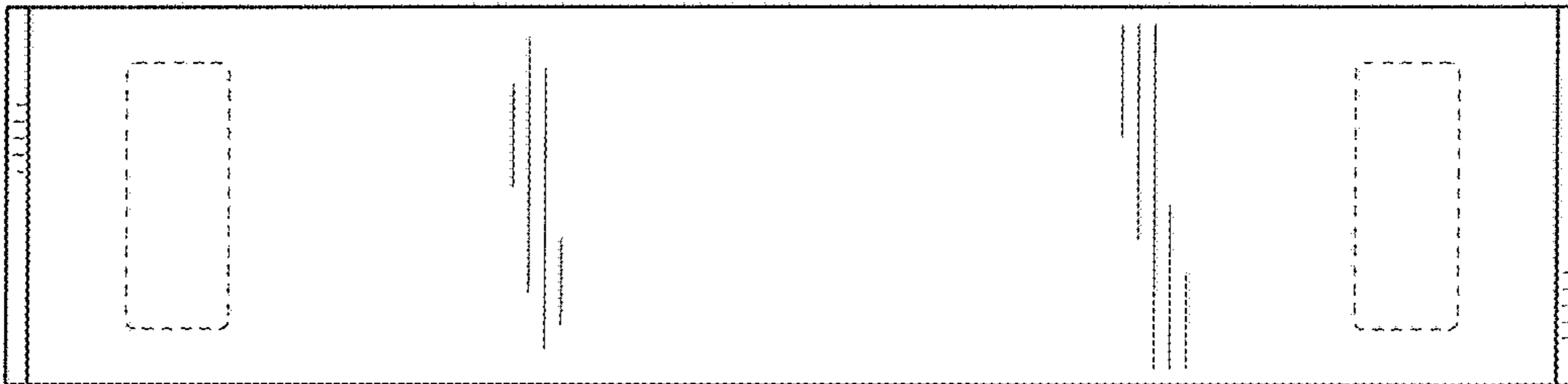


FIG. 6