



US00D815463S

(12) **United States Design Patent**  
**Kobayashi**

(10) **Patent No.:** **US D815,463 S**  
(45) **Date of Patent:** **\*\* Apr. 17, 2018**

- (54) **DESK**
- (71) Applicant: **OKAMURA CORPORATION**,  
Yokohama-shi, Kanagawa-ken (JP)
- (72) Inventor: **Sayaka Kobayashi**, Yokohama (JP)
- (73) Assignee: **Okamura Corporation**, Yokohama-shi,  
Kanagawa (JP)
- (\*\*) Term: **15 Years**
- (21) Appl. No.: **29/598,647**
- (22) Filed: **Mar. 28, 2017**
- (30) **Foreign Application Priority Data**  
Sep. 30, 2016 (JP) ..... 2016-021264
- (51) **LOC (11) Cl.** ..... **06-03**
- (52) **U.S. Cl.**  
USPC ..... **D6/655.2**
- (58) **Field of Classification Search**  
USPC ..... D6/641, 642, 648, 648.1, 648.2, 648.3,  
D6/648.4, 649, 653, 655, 655.11, 655.13,  
D6/656, 656.15, 699, 708, 708.16,  
D6/708.17, 709, 709.2, 710  
CPC ..... A47B 7/00; A47B 13/08; A47B 13/10;  
A47B 21/00; A47B 2009/006; A47B  
11/00; A47B 2200/002; A47B 3/14; A47B  
83/02; A47B 37/04  
See application file for complete search history.

- (56) **References Cited**  
U.S. PATENT DOCUMENTS  
3,217,672 A \* 11/1965 Haughey ..... A47B 9/12  
108/106  
D296,851 S \* 7/1988 Kelley ..... D6/656.11

D374,563 S *	10/1996	Simon	.....	D6/655
D399,685 S *	10/1998	Grosfillex	.....	D6/709
D407,924 S *	4/1999	Cheng	.....	D6/709
D450,949 S *	11/2001	Grabowski	.....	D6/650
D468,137 S *	1/2003	Ulmer	.....	D6/708.17
D544,734 S *	6/2007	Quintal	.....	D6/708.16
D555,945 S *	11/2007	Pearsons	.....	D6/709
D638,637 S *	5/2011	Foley	.....	D6/656.15
D655,111 S *	3/2012	Kincaid	.....	D6/708
D665,191 S *	8/2012	Yamamoto	.....	D6/656.15
D693,152 S *	11/2013	Yamamoto	.....	D6/656.15
D694,044 S *	11/2013	Copeland	.....	D6/656.15
D694,053 S *	11/2013	Copeland	.....	D6/708
D702,974 S *	4/2014	Madison	.....	D6/650
D730,096 S *	5/2015	Hosoya	.....	D6/709
D747,122 S *	1/2016	Chang	.....	D6/656.16
D759,994 S *	6/2016	Lin	.....	D6/656.13
2015/0028633 A1 *	1/2015	Stubbs	.....	A47B 7/00 297/135

\* cited by examiner

*Primary Examiner* — Mary Ann Calabrese  
*Assistant Examiner* — Sloan Rozin  
(74) *Attorney, Agent, or Firm* — Sughrue Mion, PLLC

(57) **CLAIM**

The ornamental design for a desk, as shown and described.

**DESCRIPTION**

FIG. 1 is a perspective view of a desk.  
FIG. 2 is a front elevation view thereof.  
FIG. 3 is a right side elevation view thereof. A left side elevation view is a mirror image of the right side elevation view.  
FIG. 4 is a top plan view thereof.  
FIG. 5 is a rear elevation view thereof; and,  
FIG. 6 is a bottom plan view thereof.

**1 Claim, 6 Drawing Sheets**

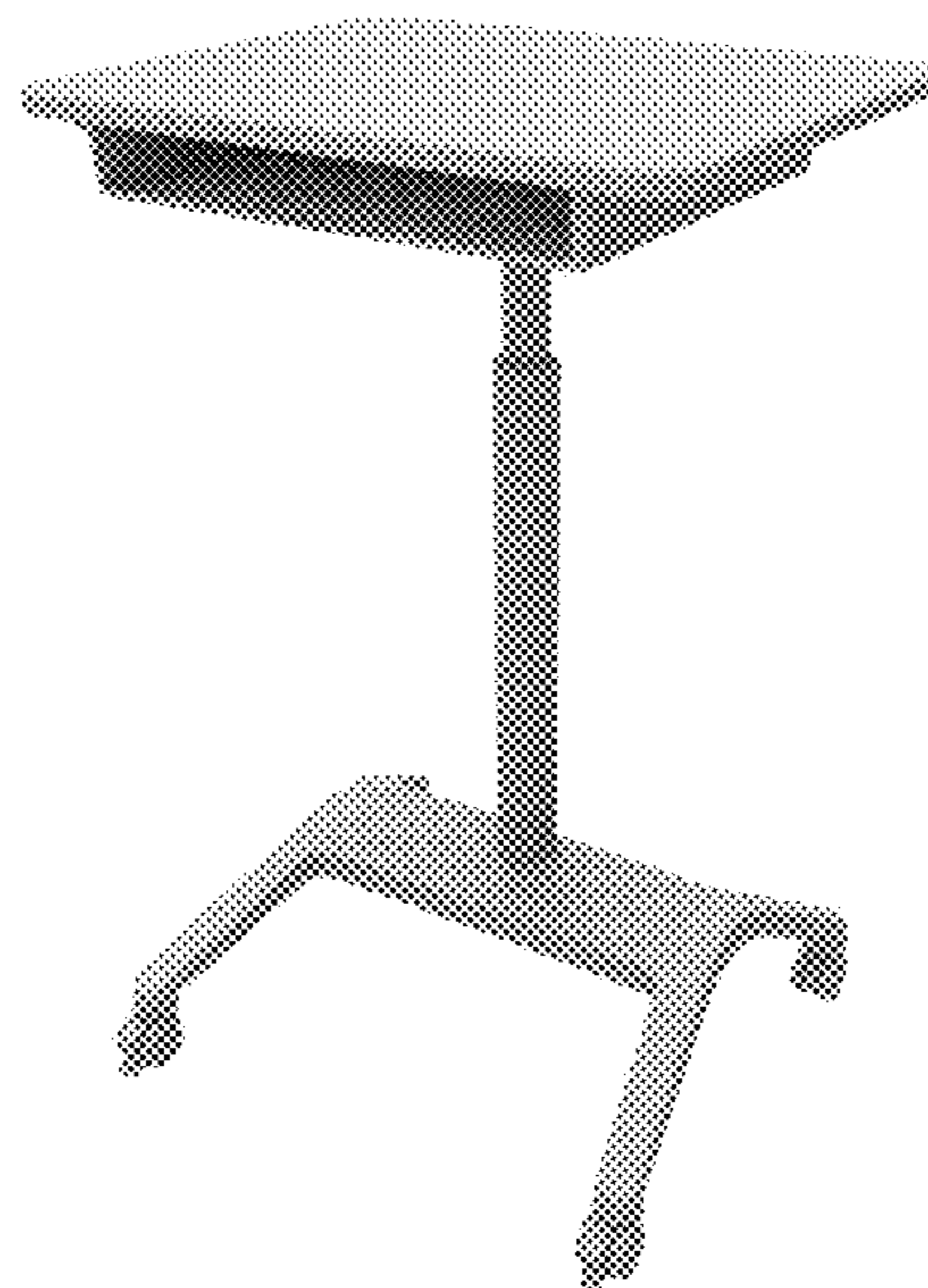


FIG. 1



FIG. 2

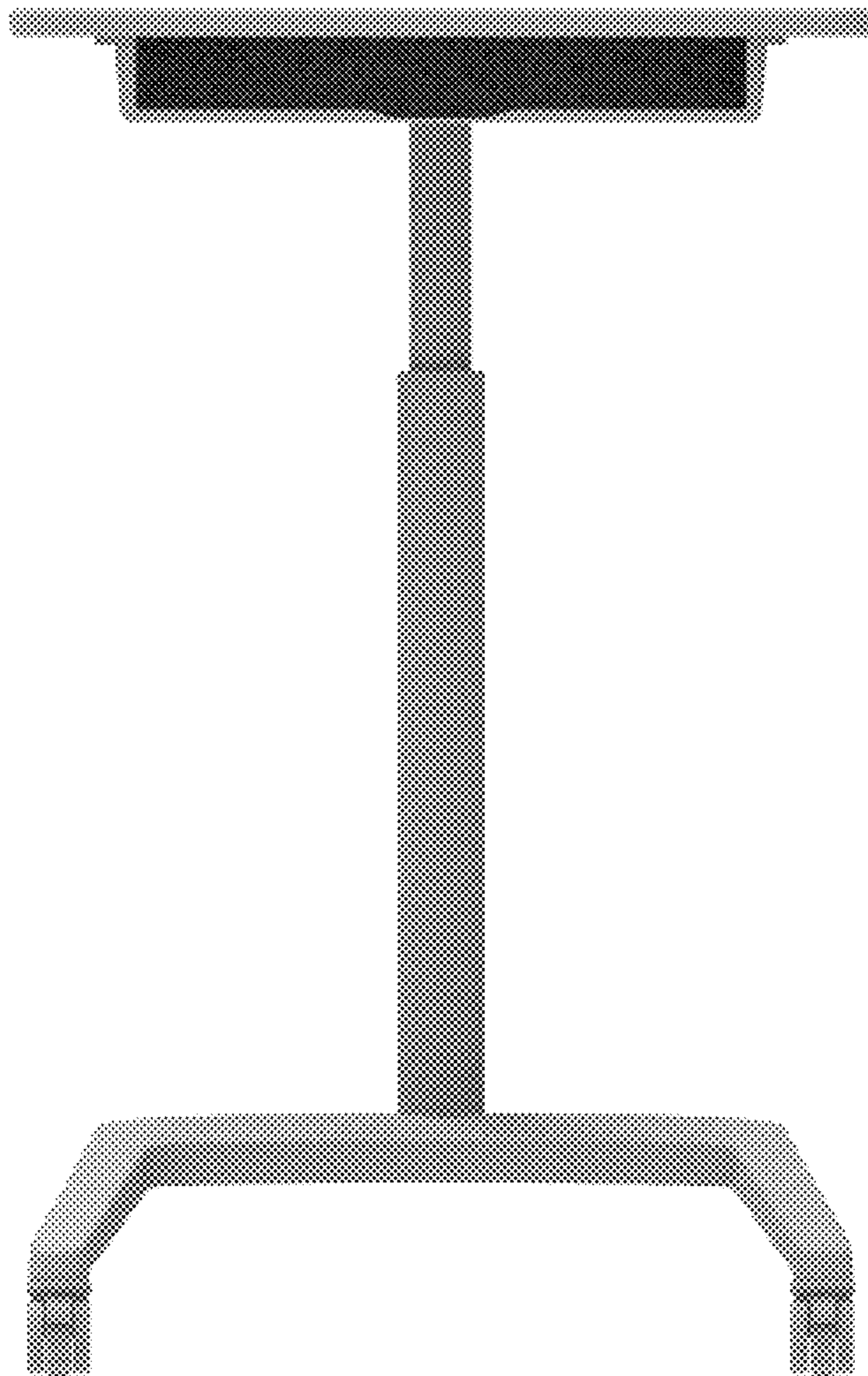


FIG. 3

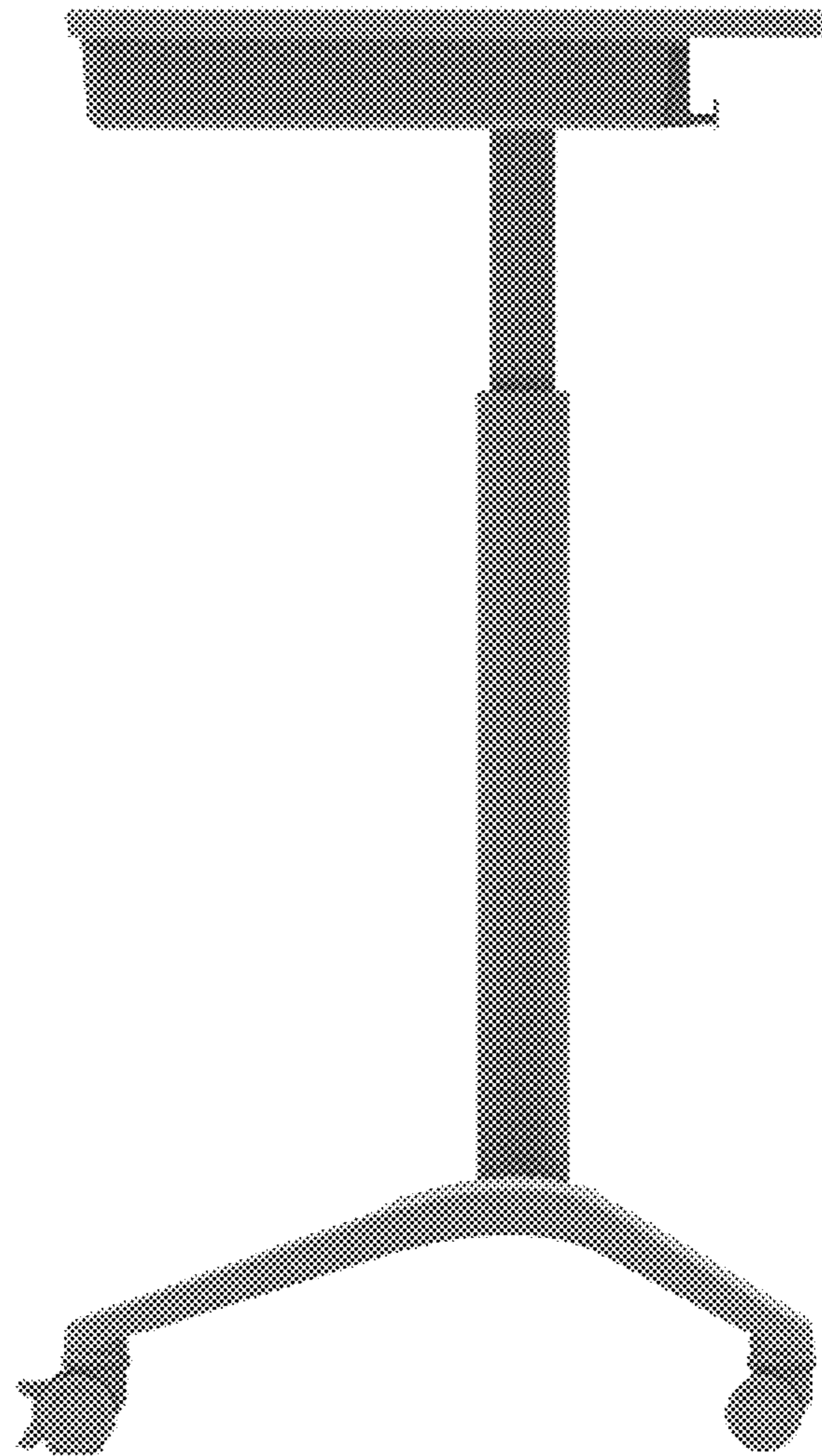


FIG. 4



FIG. 5

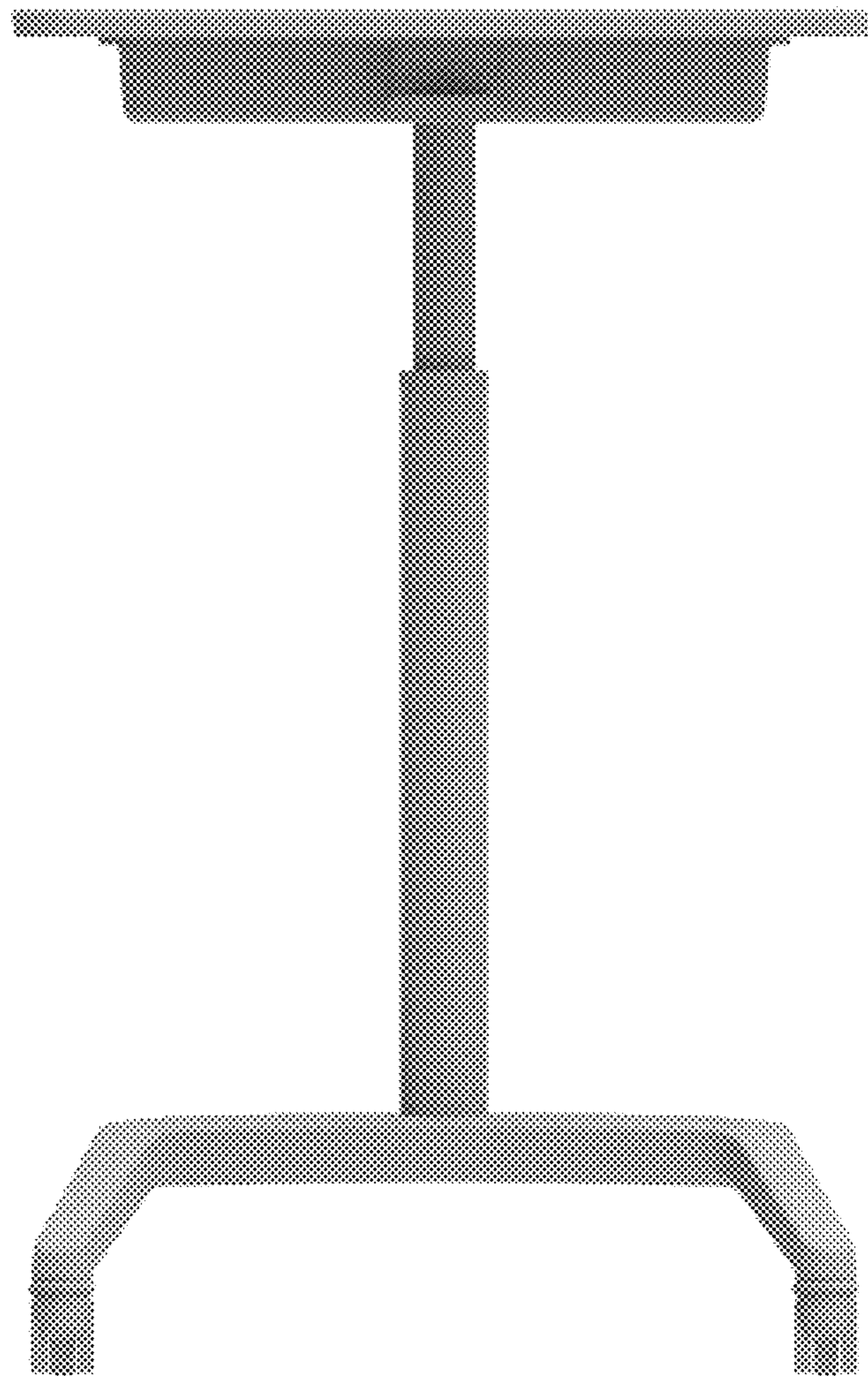


FIG. 6

