



US00D815457S

(12) **United States Design Patent** (10) **Patent No.:** **US D815,457 S**
Moore et al. (45) **Date of Patent:** **** Apr. 17, 2018**

(54) **WALL MOUNTED DISPENSER CABINET**

8,827,120 B2 9/2014 Boshuizen
D724,861 S 3/2015 Gottschalk
8,991,655 B2 3/2015 Pelkey
D726,444 S * 4/2015 Giovannoni D6/545
(Continued)

(71) Applicant: **GOJO Industries, Inc.**, Akron, OH (US)

(72) Inventors: **Mark Moore**, Aurora, OH (US);
Kaitlin Wolf, Kent, OH (US); **Shelby Buell**, Medina, OH (US)

(73) Assignee: **GOJO Industries, Inc.**, Akron, OH (US)

(**) Term: **15 Years**

(21) Appl. No.: **29/582,756**

(22) Filed: **Oct. 31, 2016**

(51) **LOC (11) Cl.** **23-02**

(52) **U.S. Cl.**
USPC **D6/545**

(58) **Field of Classification Search**
USPC D6/545, 542-544; D9/682, 688, 690,
D9/291, 448, 449; 221/14, 146.3, 173,
221/181.1, 181.3, 251, 282, 628
CPC B67D 1/001; B67D 1/06; A47K 7/04
See application file for complete search history.

(56) **References Cited**

U.S. PATENT DOCUMENTS

| | | |
|--------------|---------|------------|
| D372,824 S | 8/1996 | Lin |
| D379,728 S | 6/1997 | Simon |
| 7,044,328 B1 | 5/2006 | Ciavarella |
| D527,936 S | 9/2006 | Sirkis |
| D529,740 S | 10/2006 | Ophardt |
| D530,124 S | 10/2006 | Ophardt |
| D588,388 S | 3/2009 | Crawford |
| D616,684 S | 6/2010 | Ciavarella |
| D629,236 S | 12/2010 | Weststrate |
| D634,143 S | 3/2011 | Burkett |
| D643,237 S | 8/2011 | Reynolds |
| 8,336,740 B1 | 12/2012 | Daansen |
| 8,387,830 B2 | 3/2013 | Proper |
| 8,534,507 B2 | 9/2013 | Gronholm |

OTHER PUBLICATIONS

Notice of Allowance for U.S. Appl. No. 29/568,740 dated Oct. 24, 2017.

(Continued)

Primary Examiner — Wan Laymon

Assistant Examiner — Mark Booker

(74) *Attorney, Agent, or Firm* — Calfee, Halter & Griswold LLP

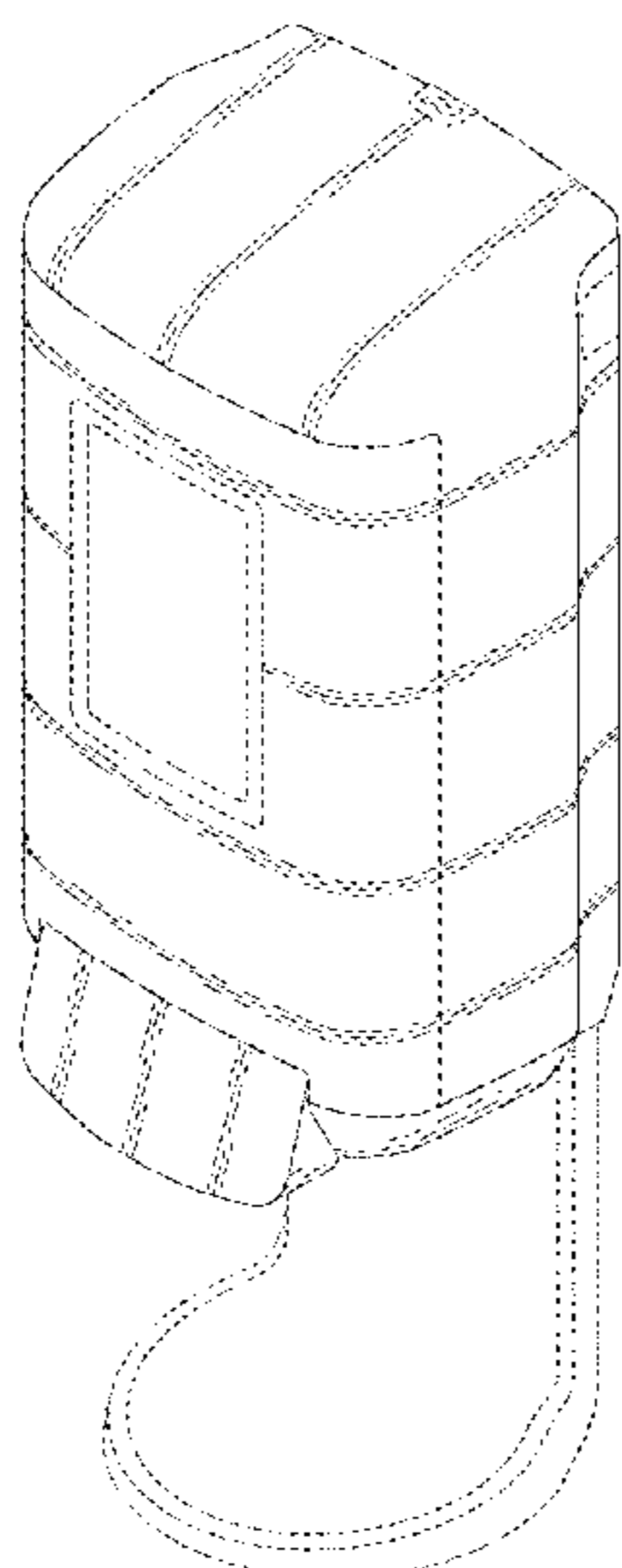
(57) **CLAIM**

The ornamental design for a wall mounted dispenser cabinet, as shown and described.

DESCRIPTION

FIG. 1 is a perspective view of a wall mounted dispenser cabinet of the new design;
FIG. 2 is a front elevational view of the wall mounted dispenser cabinet of FIG. 1;
FIG. 3 is back elevational view of the wall mounted dispenser cabinet of FIG. 1;
FIG. 4 is a top plan view of the wall mounted dispenser cabinet of FIG. 1;
FIG. 5 is bottom view of the wall mounted dispenser cabinet of FIG. 1;
FIG. 6 is a left side elevational view of the wall mounted dispenser cabinet of FIG. 1; and,
FIG. 7 is a right side elevational view of the wall mounted dispenser cabinet of FIG. 1.
The broken lines shown in the figures represent portions of the wall mounted dispenser cabinet that form no part of the claimed design.

1 Claim, 4 Drawing Sheets



(56)

References Cited

U.S. PATENT DOCUMENTS

| | | | | | | |
|--------------|----|---|---------|------------|-------|--------|
| D767,301 | S | * | 9/2016 | Indruk | | D6/545 |
| D768,406 | S | * | 10/2016 | Patterson | | D6/545 |
| D768,407 | S | | 10/2016 | Patterson | | |
| D775,852 | S | * | 1/2017 | Indruk | | D6/545 |
| D778,732 | S | | 2/2017 | Brownley | | |
| D780,473 | S | | 3/2017 | Brownley | | |
| D781,064 | S | | 3/2017 | Brownley | | |
| D781,065 | S | | 3/2017 | Brownley | | |
| D781,613 | S | | 3/2017 | Santoro | | |
| 9,648,990 | B1 | | 5/2017 | Corney | | |
| 2005/0087563 | A1 | | 4/2005 | Ciavarella | | |
| 2010/0059550 | A1 | | 3/2010 | Ciavarella | | |
| 2011/0023364 | A1 | | 2/2011 | Euteneuer | | |
| 2011/0253744 | A1 | | 10/2011 | Pelfrey | | |
| 2012/0228326 | A1 | | 9/2012 | Ciavarella | | |
| 2013/0015209 | A1 | | 1/2013 | Smith | | |
| 2013/0032613 | A1 | | 2/2013 | Ciavarella | | |
| 2014/0110434 | A1 | | 4/2014 | Ciavarella | | |
| 2015/0083754 | A1 | | 3/2015 | Proper | | |
| 2015/0190827 | A1 | | 7/2015 | Ophardt | | |
| 2015/0266657 | A1 | | 9/2015 | Corney | | |
| 2015/0320265 | A1 | | 11/2015 | Bullock | | |
| 2016/0309967 | A1 | | 10/2016 | Pelfrey | | |
| 2017/0100001 | A1 | | 4/2017 | Tojek | | |

OTHER PUBLICATIONS

Notice of Allowance for U.S. Appl. No. 29/582,753 dated Oct. 10, 2017.

Notice of Allowance for U.S. Appl. No. 29/585,578 dated Oct. 20, 2017.

* cited by examiner

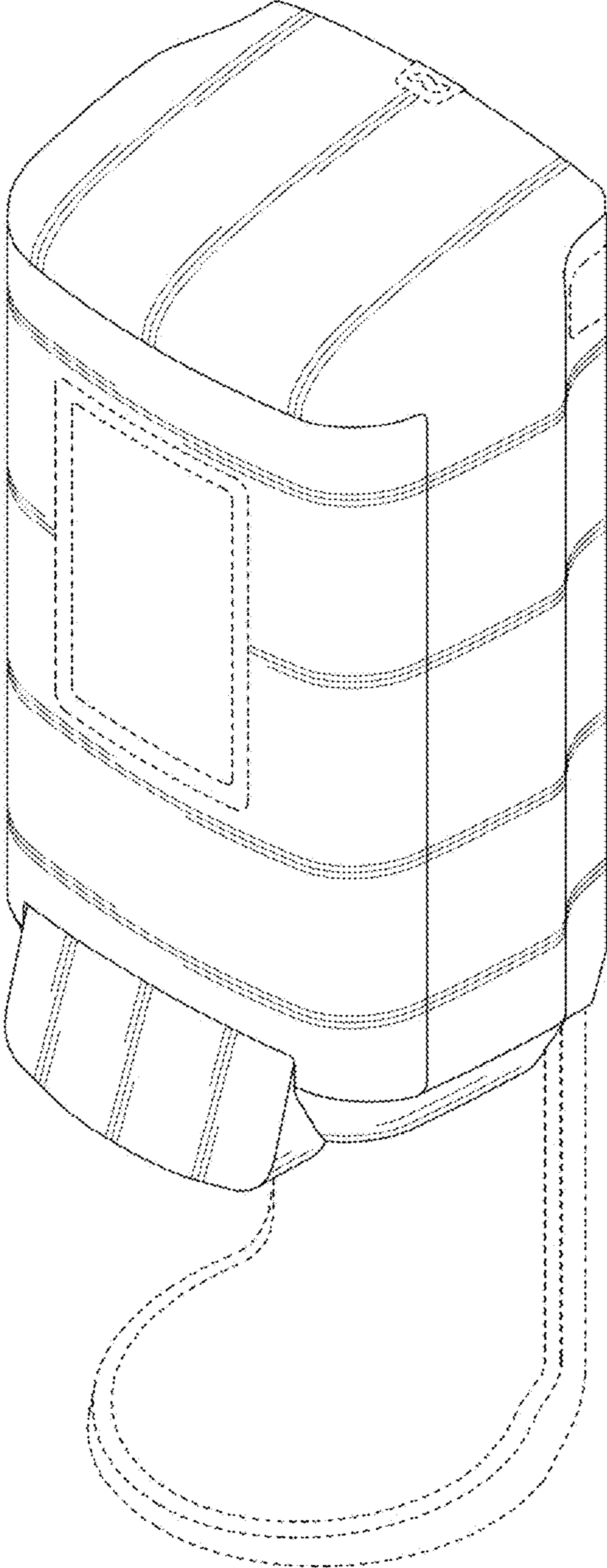


FIG. 1

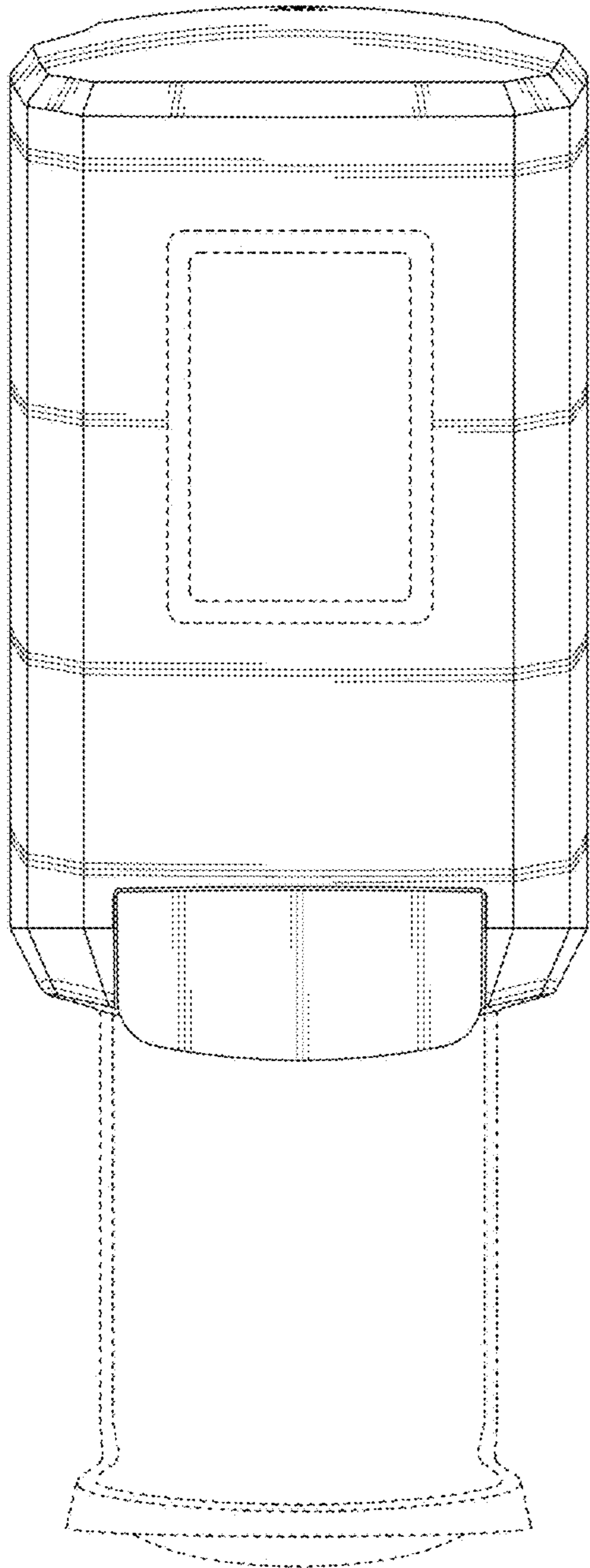


FIG. 2

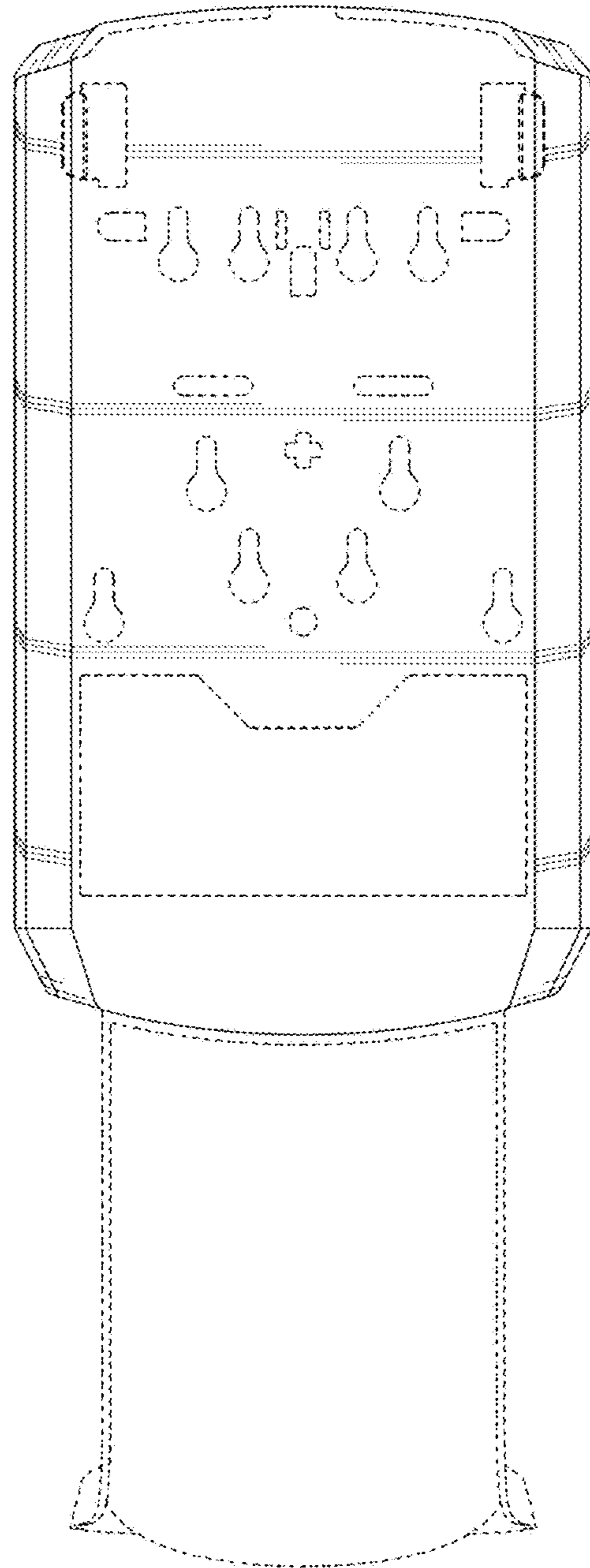


FIG. 3

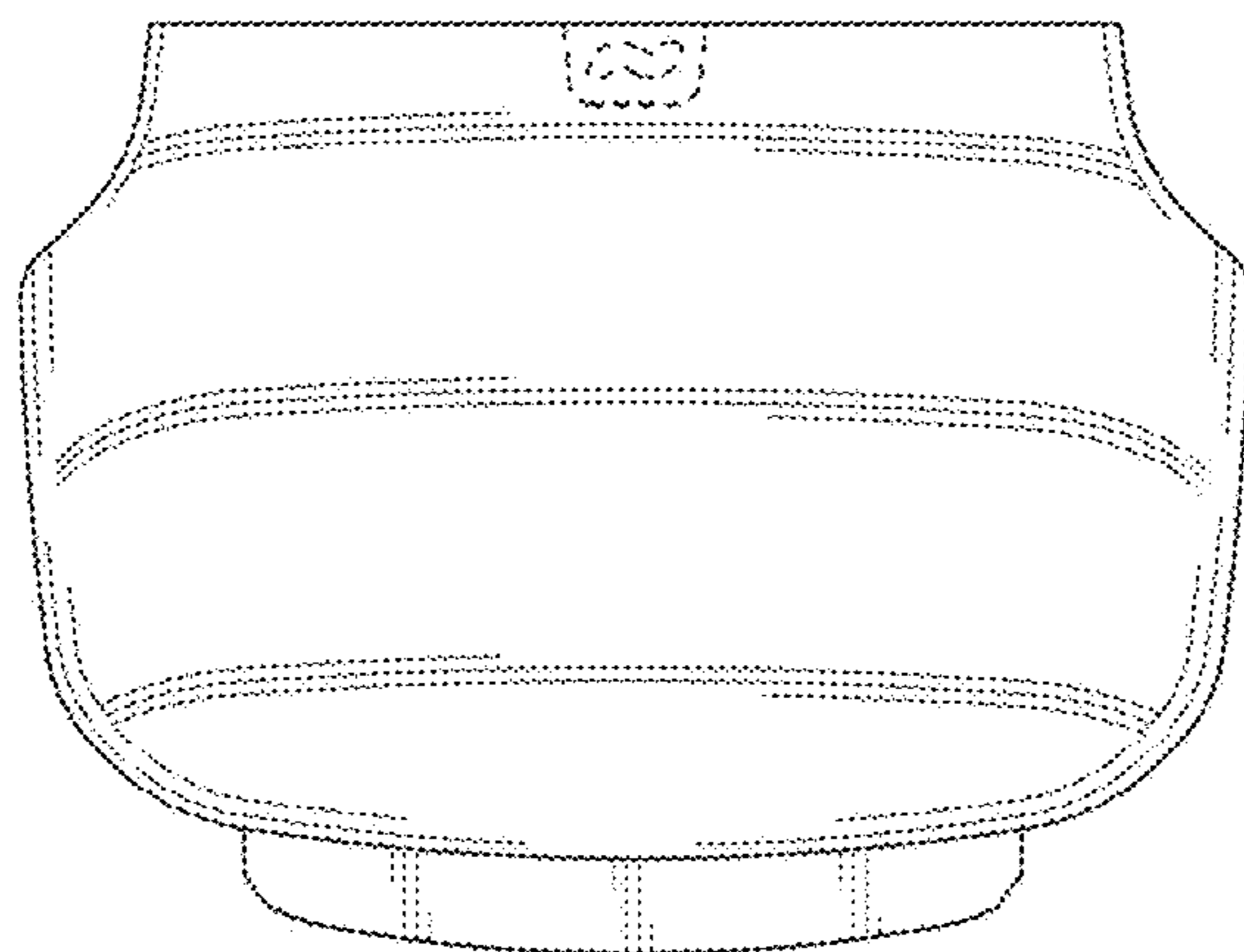


FIG. 4

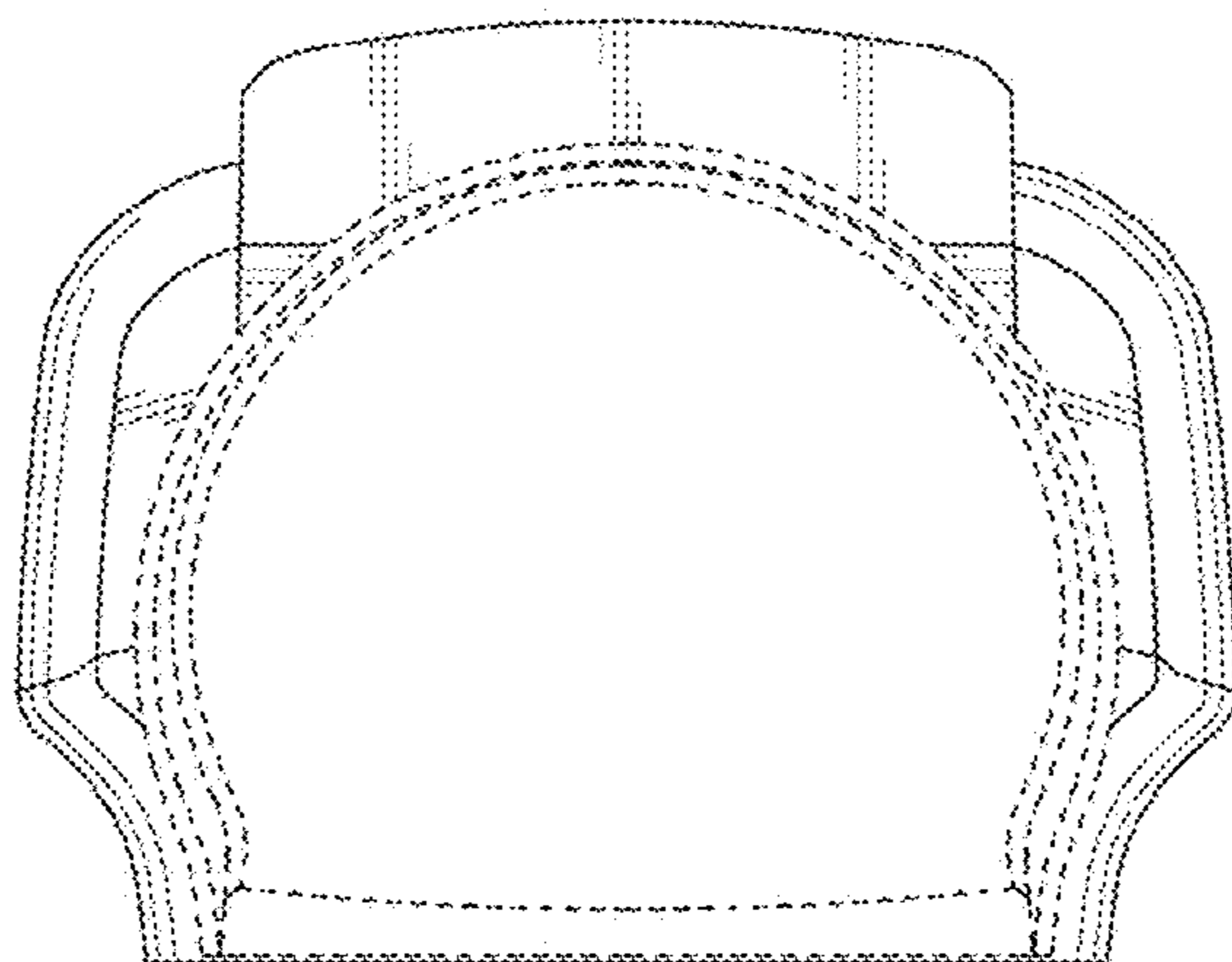


FIG. 5

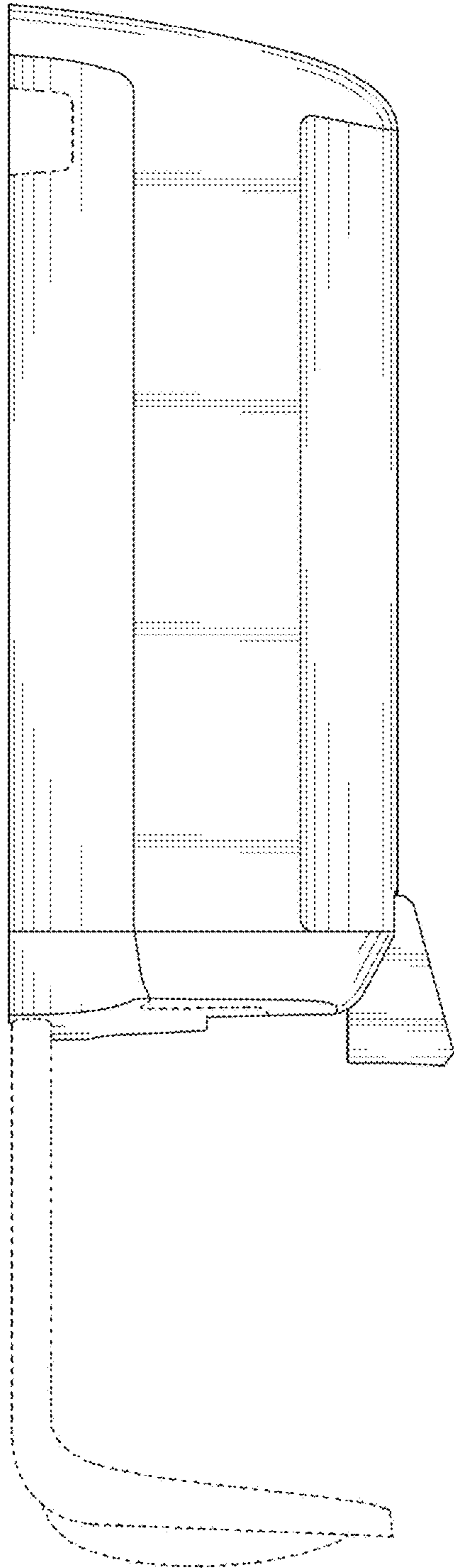


FIG. 6

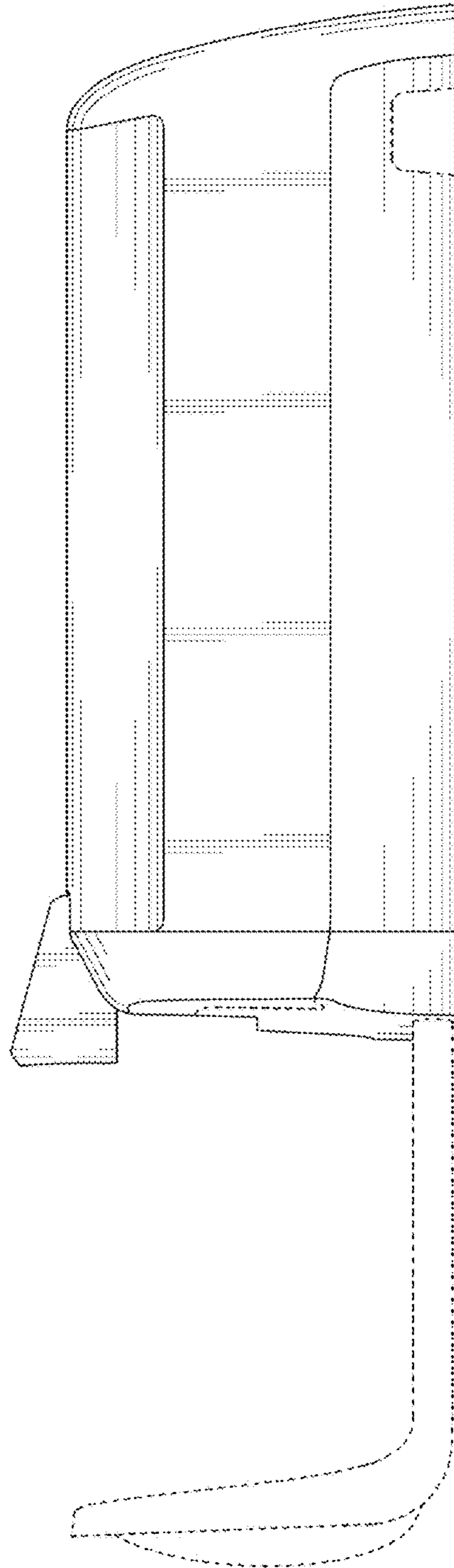


FIG. 7