

US00D815454S

(12) **United States Design Patent**
Mann

(10) **Patent No.:** **US D815,454 S**
(45) **Date of Patent:** **** Apr. 17, 2018**

(54) **DISPENSER STAND**

(71) Applicant: **GOJO Industries, Inc.**, Akron, OH
(US)

(72) Inventor: **Christopher Mann**, Hudson, OH (US)

(73) Assignee: **GOJO Industries, Inc.**, Akron, OH
(US)

(**) Term: **15 Years**

(21) Appl. No.: **29/590,405**

(22) Filed: **Jan. 10, 2017**

(51) **LOC (11) Cl.** **23-02**

(52) **U.S. Cl.**
USPC **D6/515**

(58) **Field of Classification Search**
USPC D6/545, 329, 515-522, 523, 535, 542,
D6/543; D7/300, 306, 313, 397; D8/71;
D9/733; D20/1; D23/208; 221/26, 33,
221/282-286; 222/108, 164, 173, 180;
248/309.1, 309.2, 905
CPC A47K 5/00; A47K 5/18; B67D 3/0029;
B67D 3/00; B67D 3/0035; B65D 35/56;
B65D 51/249
See application file for complete search history.

(56) **References Cited**

U.S. PATENT DOCUMENTS

D352,867 S 11/1994 Morris
D359,546 S 6/1995 Savage

D604,974 S * 12/2009 Morrison D6/515
D671,346 S 11/2012 Zlatic
D686,839 S * 7/2013 Markwick D6/673
D734,086 S * 7/2015 Tseng D7/306
D735,487 S 8/2015 Marino
D796,868 S 9/2017 Johnson

OTHER PUBLICATIONS

Notice of Allowance from U.S. Appl. No. 29/590,239 dated Dec. 8, 2017.

* cited by examiner

Primary Examiner — Wan Laymon
Assistant Examiner — Mark Booker

(74) *Attorney, Agent, or Firm* — Calfee, Halter & Griswold LLP

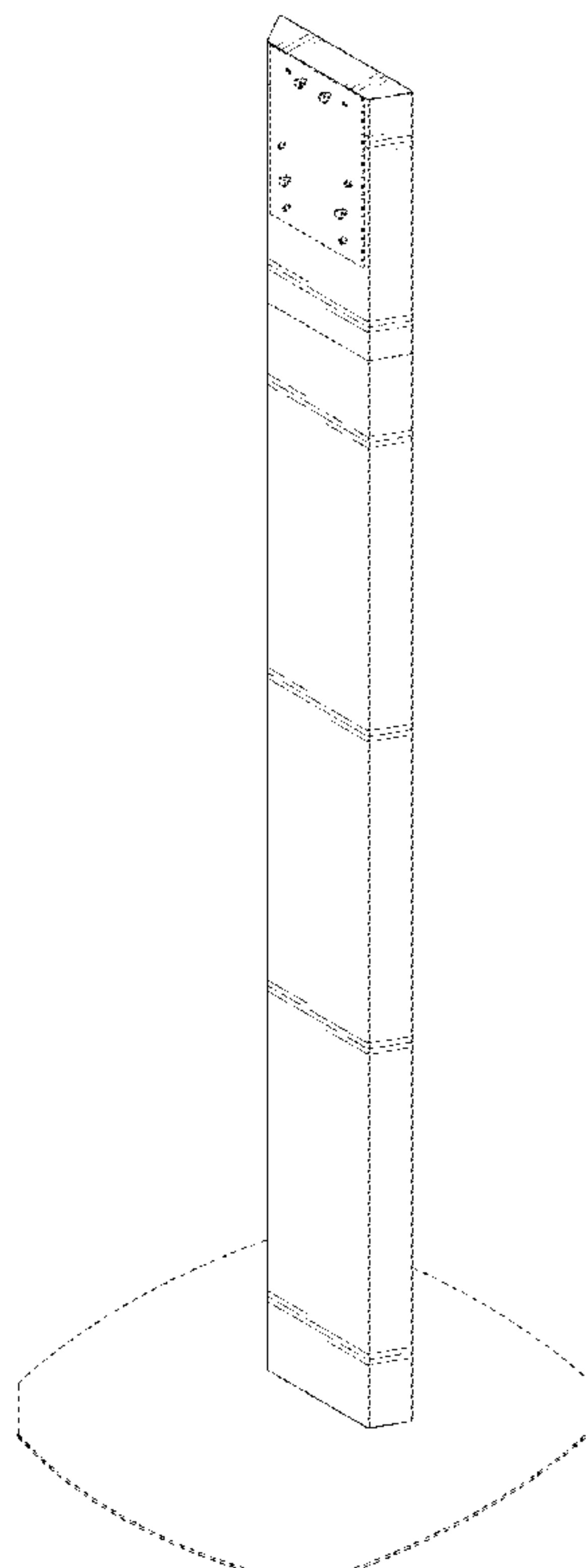
(57) **CLAIM**

The ornamental design for a dispenser stand, as shown and described.

DESCRIPTION

FIG. 1 is a perspective view of a dispenser stand of the new design;
FIG. 2 is a front elevational view of the dispenser stand of FIG. 1;
FIG. 3 is a right side elevational view of the dispenser stand of FIG. 1; and,
FIG. 4 is a top plan view of the dispenser stand of FIG. 1.
The portions of the Figures shown in broken lines are not part of the claimed design and are for illustration only.

1 Claim, 2 Drawing Sheets



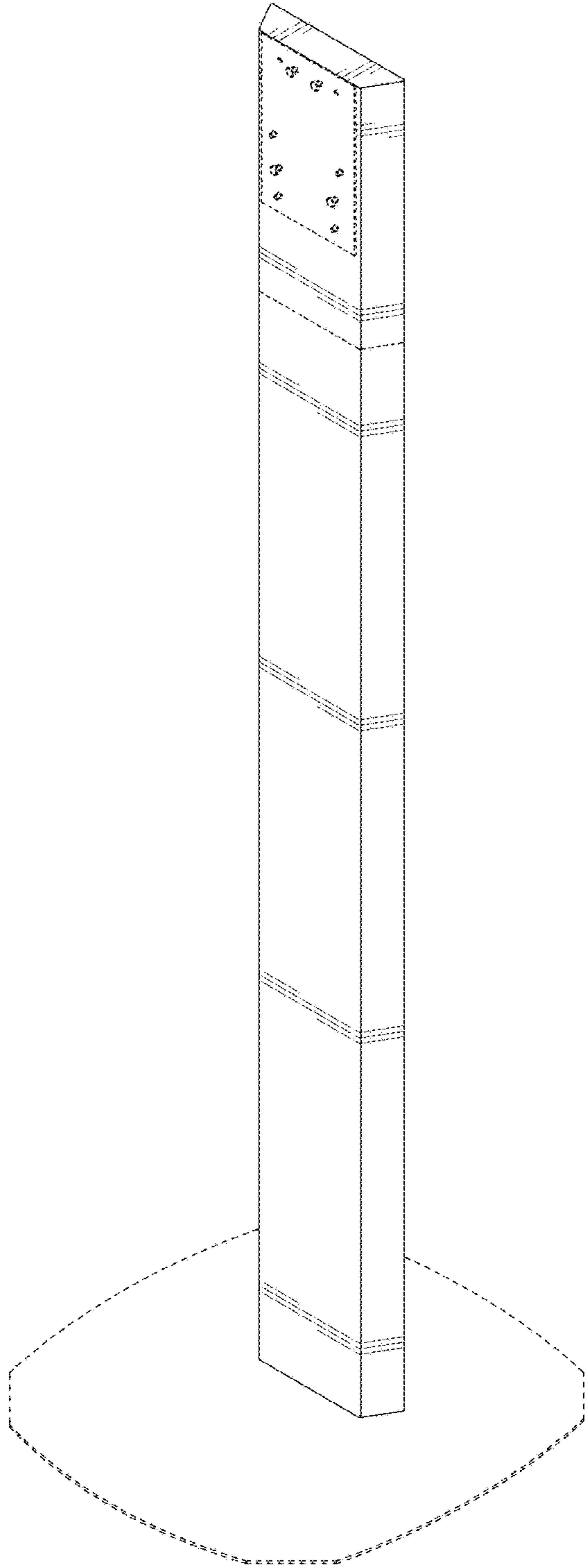


FIG. 1

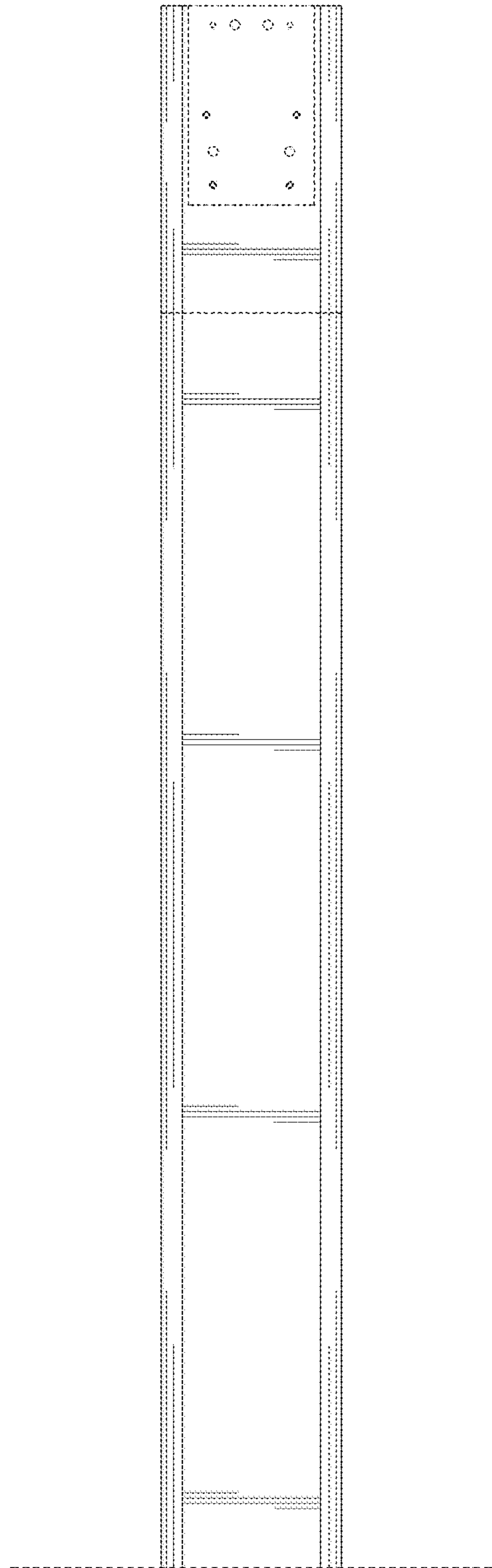


FIG. 2

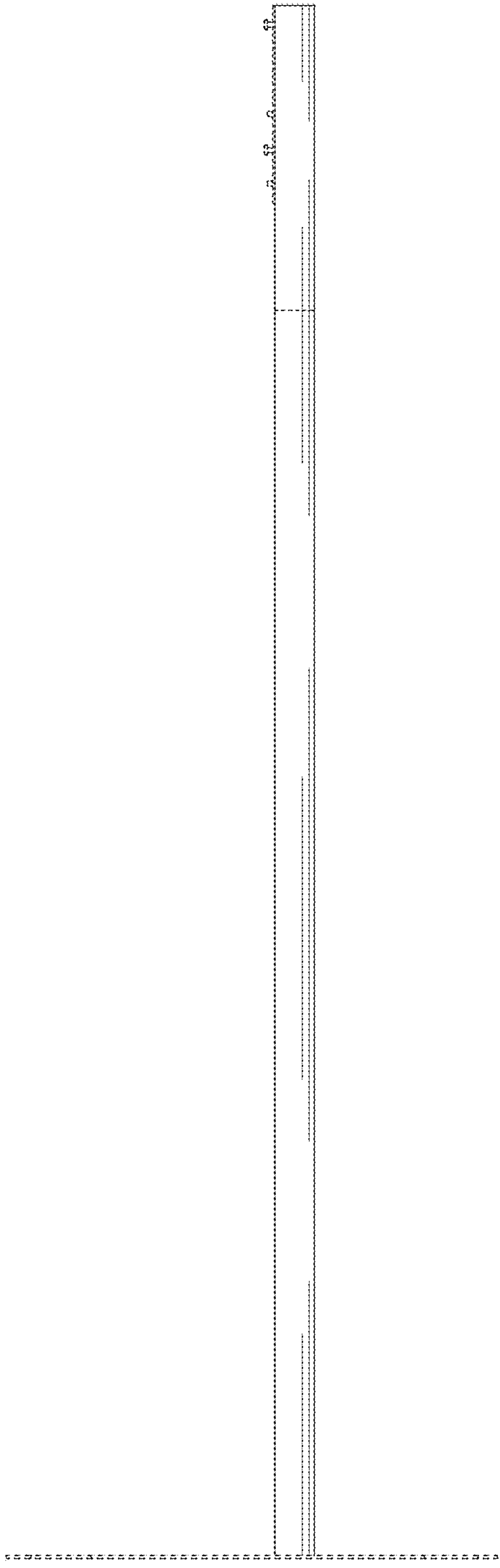


FIG. 3

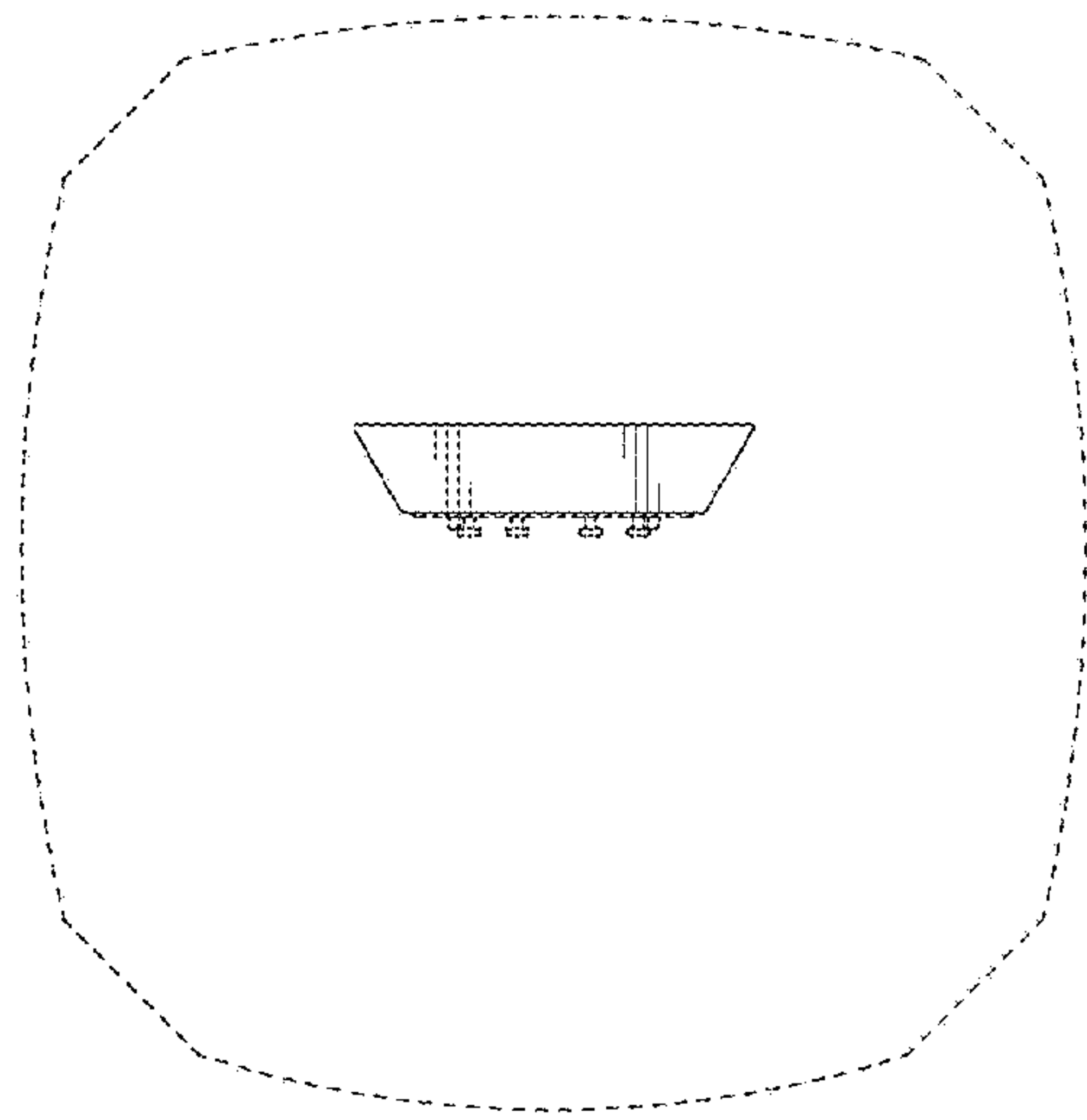


FIG. 4