



US00D815453S

(12) **United States Design Patent** (10) **Patent No.:** **US D815,453 S**
Robertson (45) **Date of Patent:** **** Apr. 17, 2018**

(54) **RECORD STAND**
(71) Applicant: **BAD HAIR LLC**, Chicago, IL (US)
(72) Inventor: **Benjamin Robertson**, Chicago, IL (US)
(73) Assignee: **BAD HAIR LLC**, Chicago, IL (US)
(**) Term: **15 Years**
(21) Appl. No.: **29/553,208**
(22) Filed: **Jan. 29, 2016**
(51) **LOC (11) Cl.** **06-06**
(52) **U.S. Cl.**
USPC **D6/407**
(58) **Field of Classification Search**
USPC D6/300, 310, 407, 672, 673, 678, 678.3,
D6/682; D14/253, 451, 434
CPC . B65D 1/00; B65D 1/34; B65D 85/54; B65D
85/544; B65D 11/20
See application file for complete search history.

D483,598 S * 12/2003 Smith D6/407
D485,699 S 1/2004 Mueller et al.
D495,184 S 8/2004 Houle
6,805,249 B1 10/2004 Houle
6,848,665 B1 * 2/2005 Wu B43M 99/00
248/174
6,929,117 B1 8/2005 Cohen
6,968,959 B1 11/2005 Johnson
D522,273 S 6/2006 Benson
D524,315 S * 7/2006 Reusing D14/434
D610,579 S * 2/2010 Behar D14/250
D650,013 S 12/2011 Yi et al.
D689,718 S 9/2013 Puckett
D720,010 S * 12/2014 Waldron D19/91
D759,659 S * 6/2016 Lee D14/451
D780,186 S * 2/2017 Lee D14/253
2007/0045145 A1 3/2007 Killinger
2013/0026329 A1 1/2013 Lane
2013/0075302 A1 3/2013 Bucknell

* cited by examiner

Primary Examiner — Kelley Donnelly
(74) *Attorney, Agent, or Firm* — Flener IP & Business
Law; Zareefa B. Flener

(56) **References Cited**
U.S. PATENT DOCUMENTS

2,716,485 A 8/1955 Hecker
3,494,479 A 2/1970 Martin
D245,056 S * 7/1977 Winther D6/407
D250,690 S * 1/1979 Felske D7/388
D250,982 S 2/1979 Gilman
D263,934 S 4/1982 Fuerneisen
4,819,792 A 4/1989 Christian
5,106,047 A 4/1992 Baer
5,150,813 A 9/1992 Harris et al.
5,301,800 A 4/1994 Kenney
5,351,882 A 10/1994 Krautsack
D358,513 S * 5/1995 Hansen D6/708
5,542,551 A 8/1996 Smith
D388,263 S * 12/1997 Amerault D19/88
D392,474 S * 3/1998 Frasketi D19/91
D423,796 S * 5/2000 Kwan D6/300
D464,215 S 10/2002 Patchen

(57) **CLAIM**

The ornamental design for a record stand, as shown and described.

DESCRIPTION

FIG. 1 is a front perspective view of a first embodiment of a record stand showing my new design;
FIG. 2 is a back perspective view thereof;
FIG. 3 is a top plan view thereof;
FIG. 4 is a back elevational view thereof;
FIG. 5 is a right side elevational view thereof;
FIG. 6 is a left side elevational view thereof; and,
FIG. 7 is a front plan view thereof.
A broken line showing is for illustrative purposes only and forms no part of the claimed design.

1 Claim, 3 Drawing Sheets

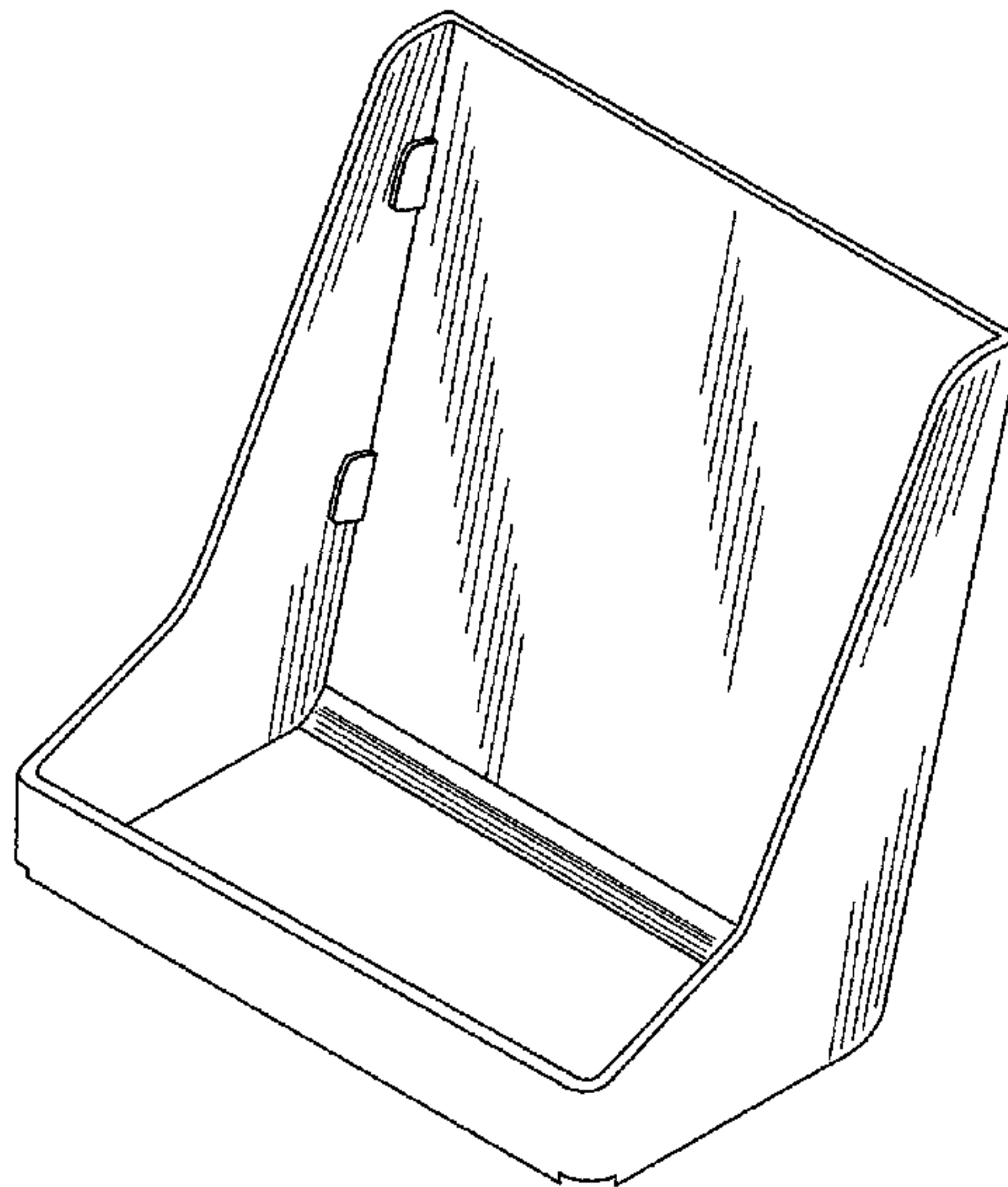


FIG. 1

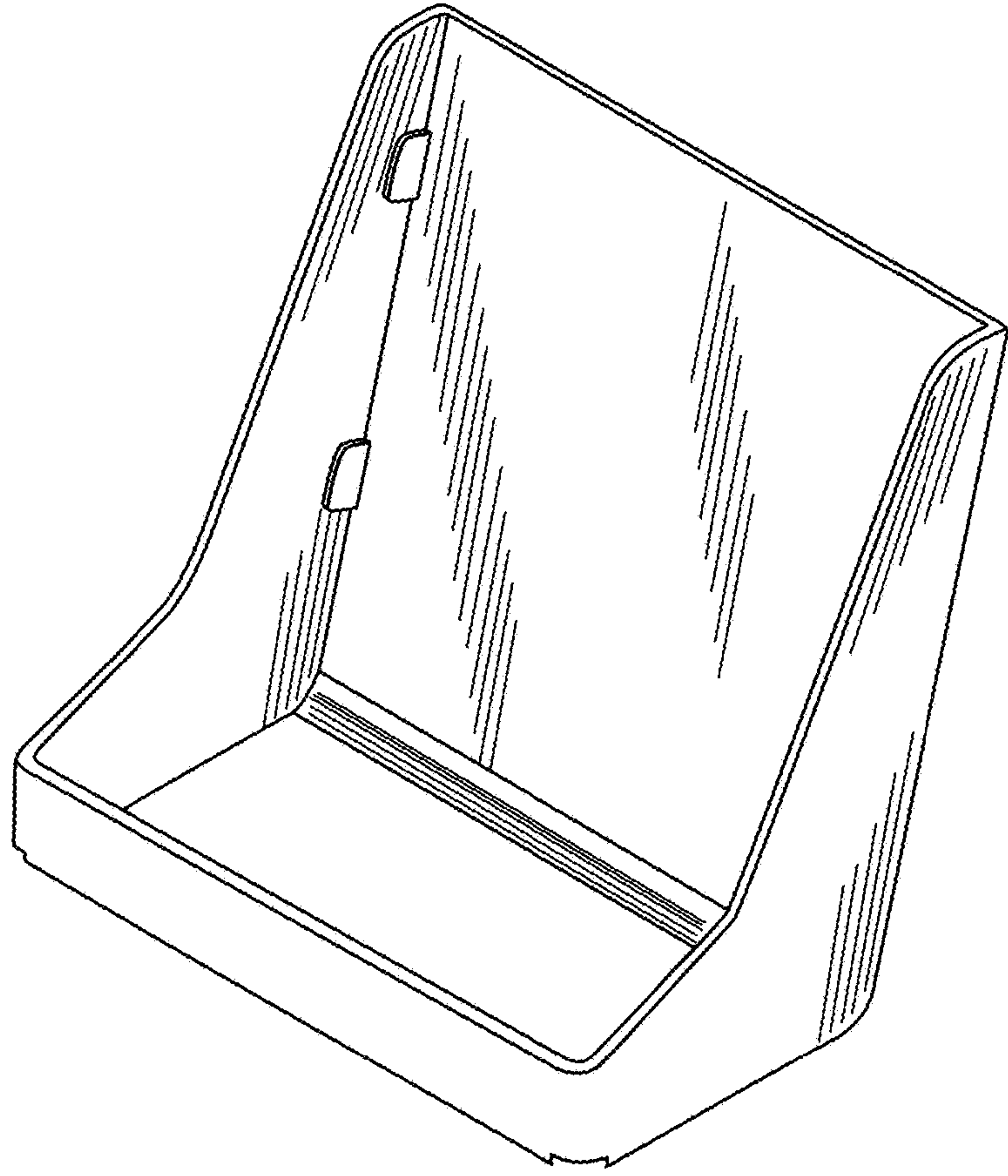


FIG. 2

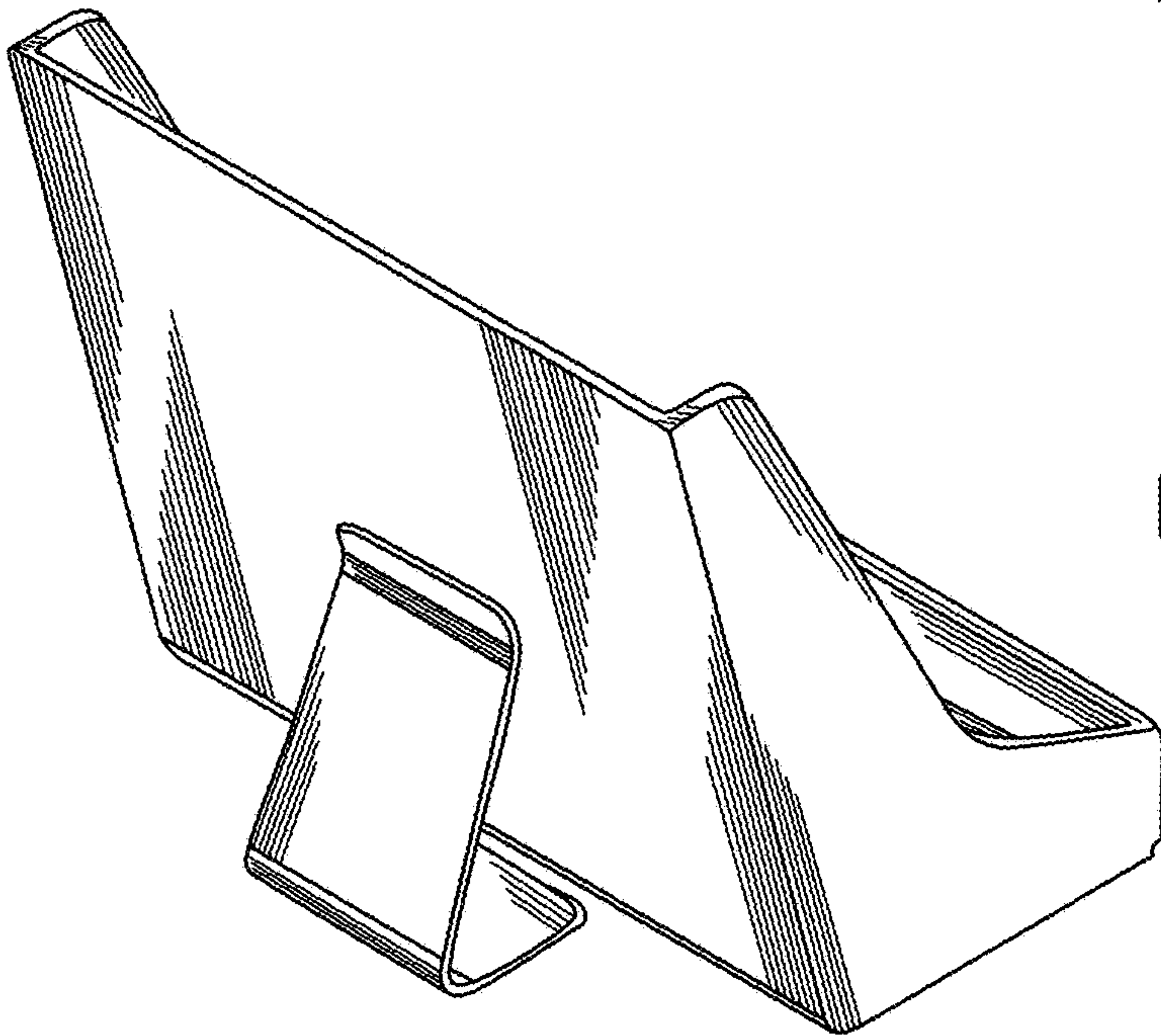


FIG. 3

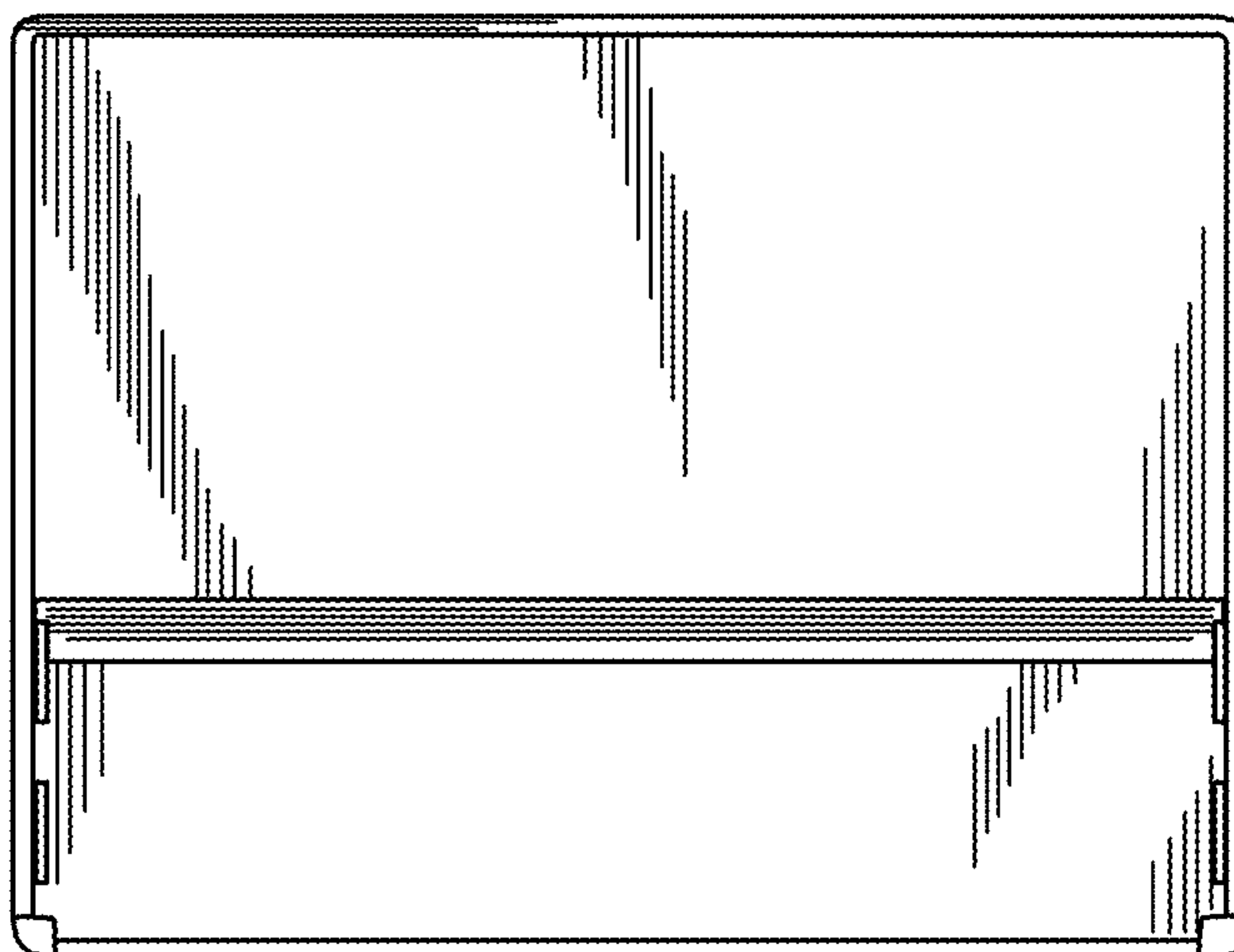
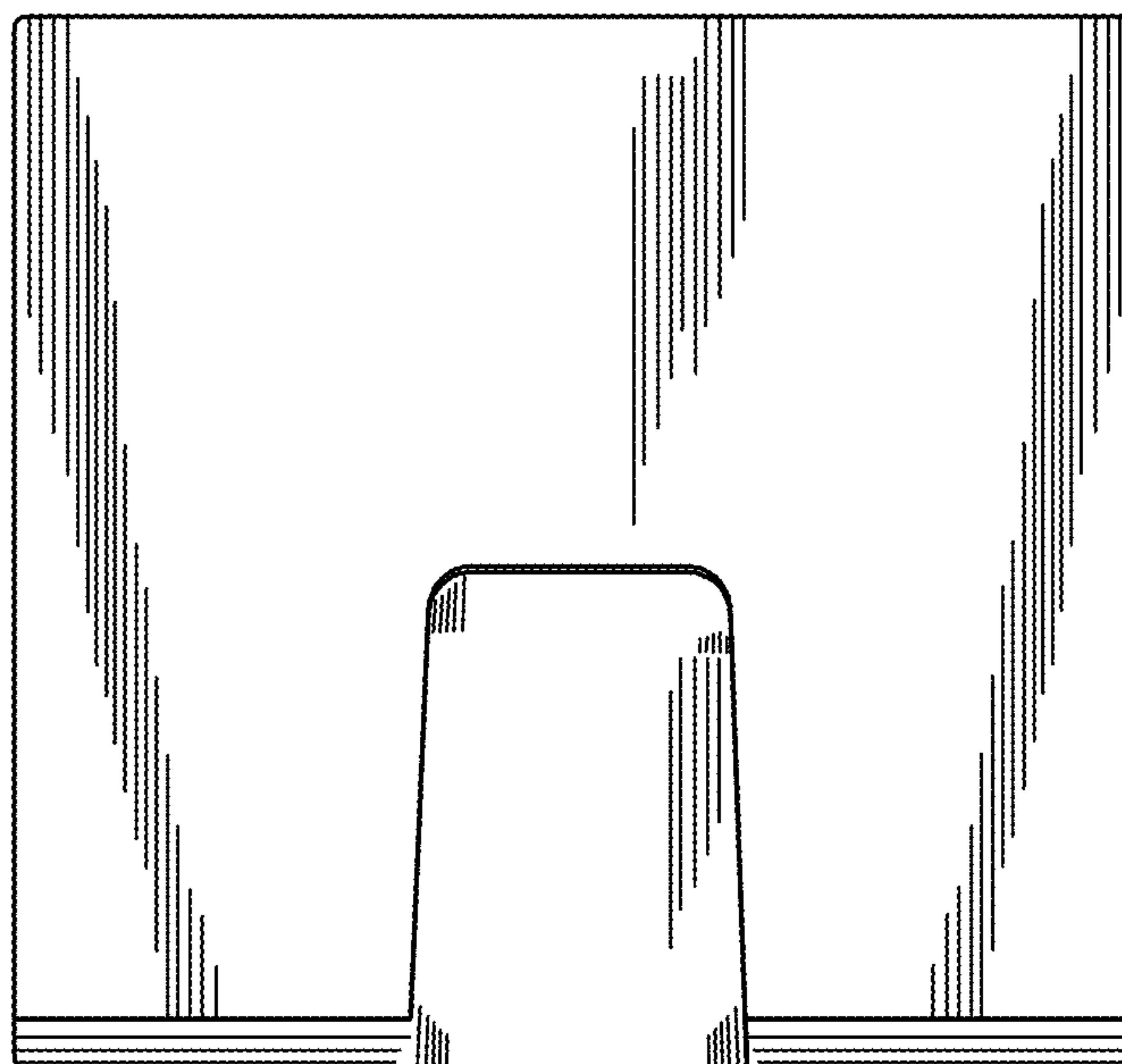


FIG. 4



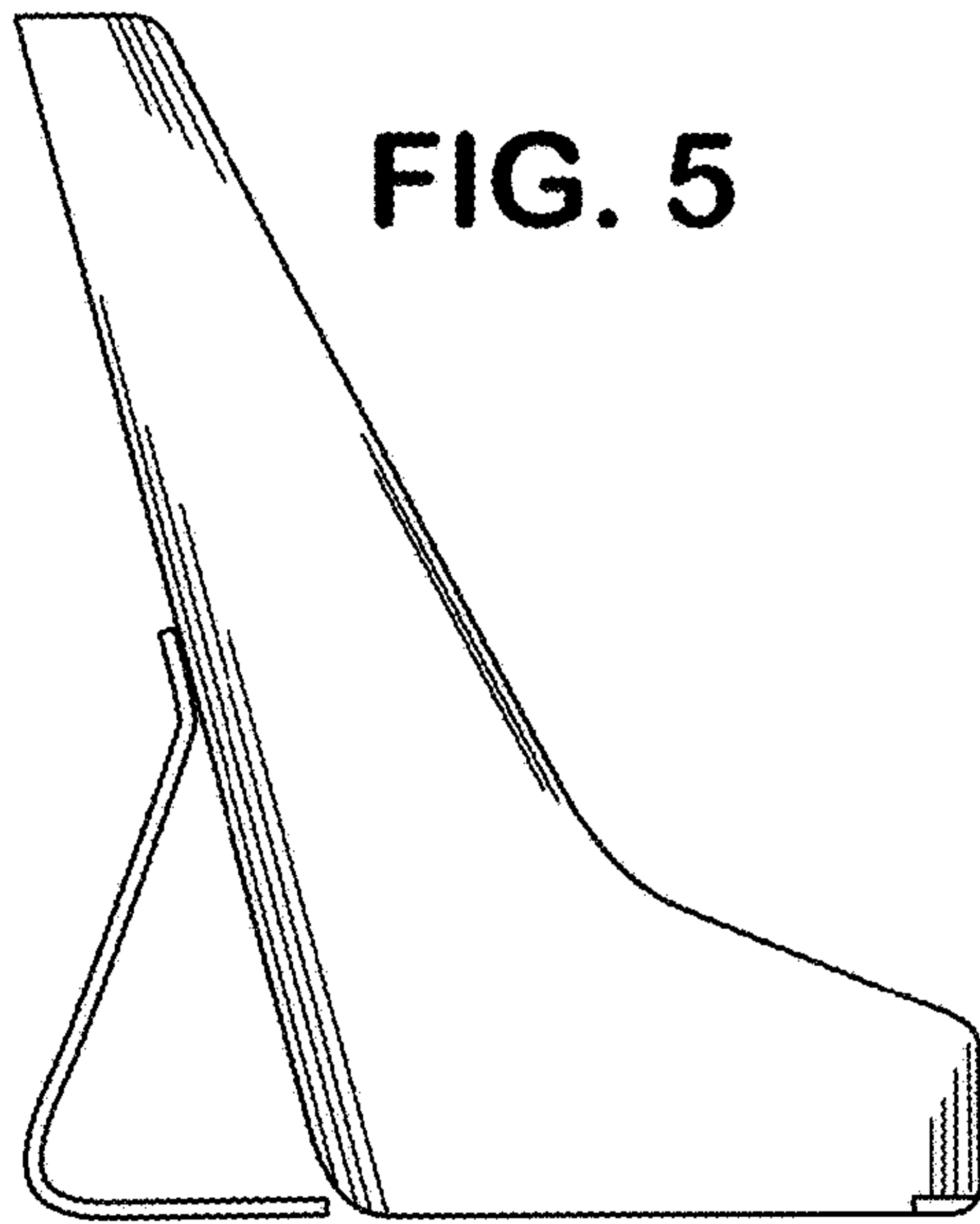


FIG. 5

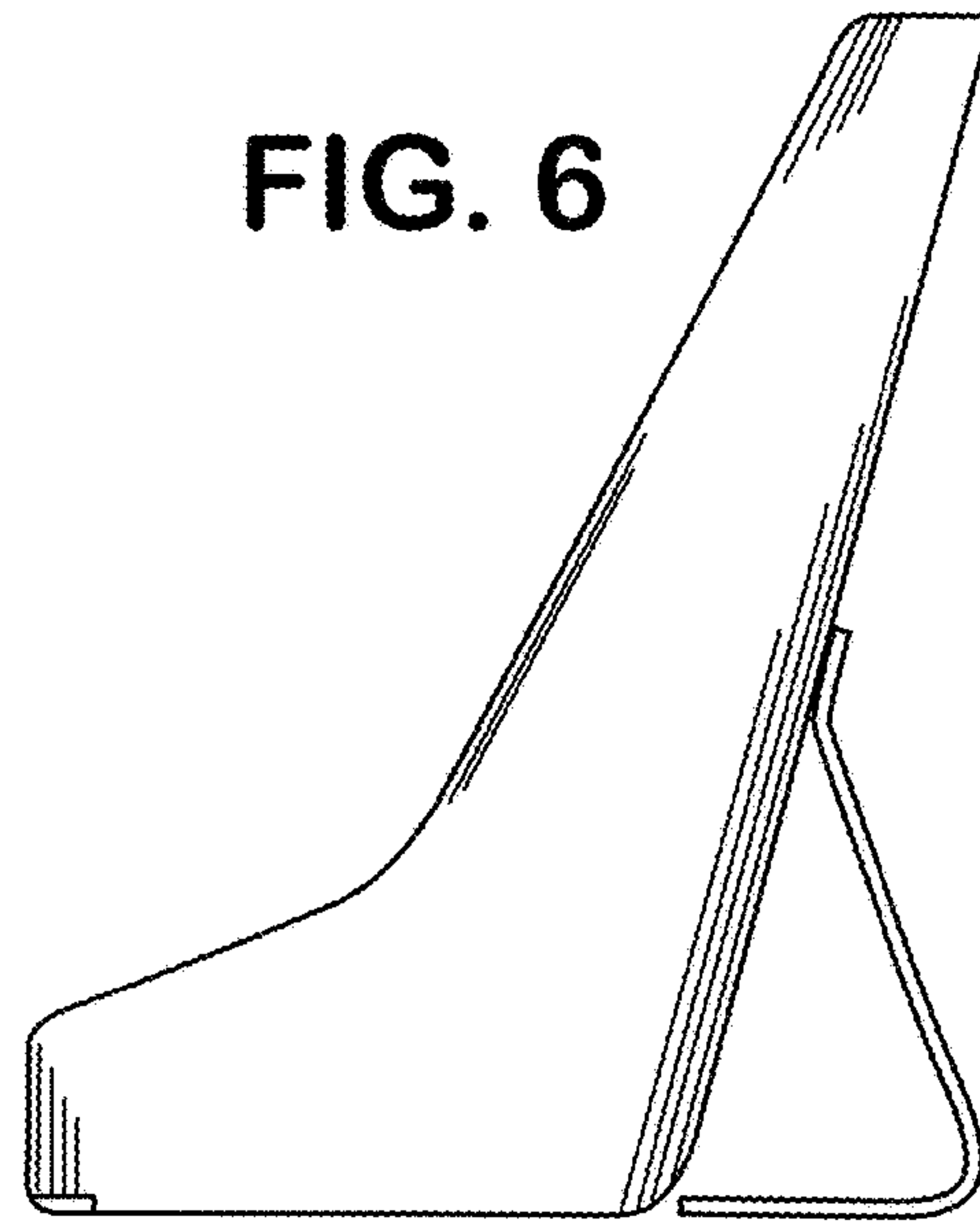


FIG. 6

FIG. 7

