



US00D815449S

(12) **United States Design Patent**
Hannoosh et al.

(10) **Patent No.:** **US D815,449 S**
(45) **Date of Patent:** **** Apr. 17, 2018**

- (54) **CHAIR**
- (71) Applicant: **Williams-Sonoma, Inc.**, San Francisco, CA (US)
- (72) Inventors: **Jeffrey C. Hannoosh**, Brooklyn, NY (US); **Ana Jones**, Brooklyn, NY (US)
- (73) Assignee: **Williams-Sonoma, Inc.**, San Francisco, CA (US)

3,471,199 A *	10/1969	Kuhlmann	A47C 4/02 297/411.41
D220,950 S *	6/1971	Sideri	D6/372
D386,910 S *	12/1997	Saiger	D6/334
D393,956 S *	5/1998	Kane	D6/334
D440,064 S *	4/2001	Deacon	D6/375
D508,786 S *	8/2005	Natuzzi	D6/364
D690,953 S *	10/2013	Alken	D6/380
D706,053 S *	6/2014	Schwamkrug	D6/374
D742,658 S *	11/2015	Bisman	D6/374
D794,349 S *	8/2017	Levy	D6/374

(**) Term: **15 Years**

* cited by examiner

(21) Appl. No.: **29/590,515**

Primary Examiner — Mimosa De

(22) Filed: **Jan. 11, 2017**

(74) *Attorney, Agent, or Firm* — Cook Alex Ltd.; R. Blake Johnston

(51) **LOC (11) Cl.** **06-01**

(52) **U.S. Cl.**
USPC **D6/374**

(57) **CLAIM**

(58) **Field of Classification Search**
USPC D6/334-336, 364, 371, 372, 373, 374,
D6/375, 380, 716, 716.1, 716.2, 716.3,
D6/716.4

The ornamental design for a chair, as shown and described.

CPC A47C 3/04; A47C 3/12; A47C 4/02; A47C
4/028; A47C 4/03; A47C 5/12; A47C
7/18; A47C 7/24

DESCRIPTION

See application file for complete search history.

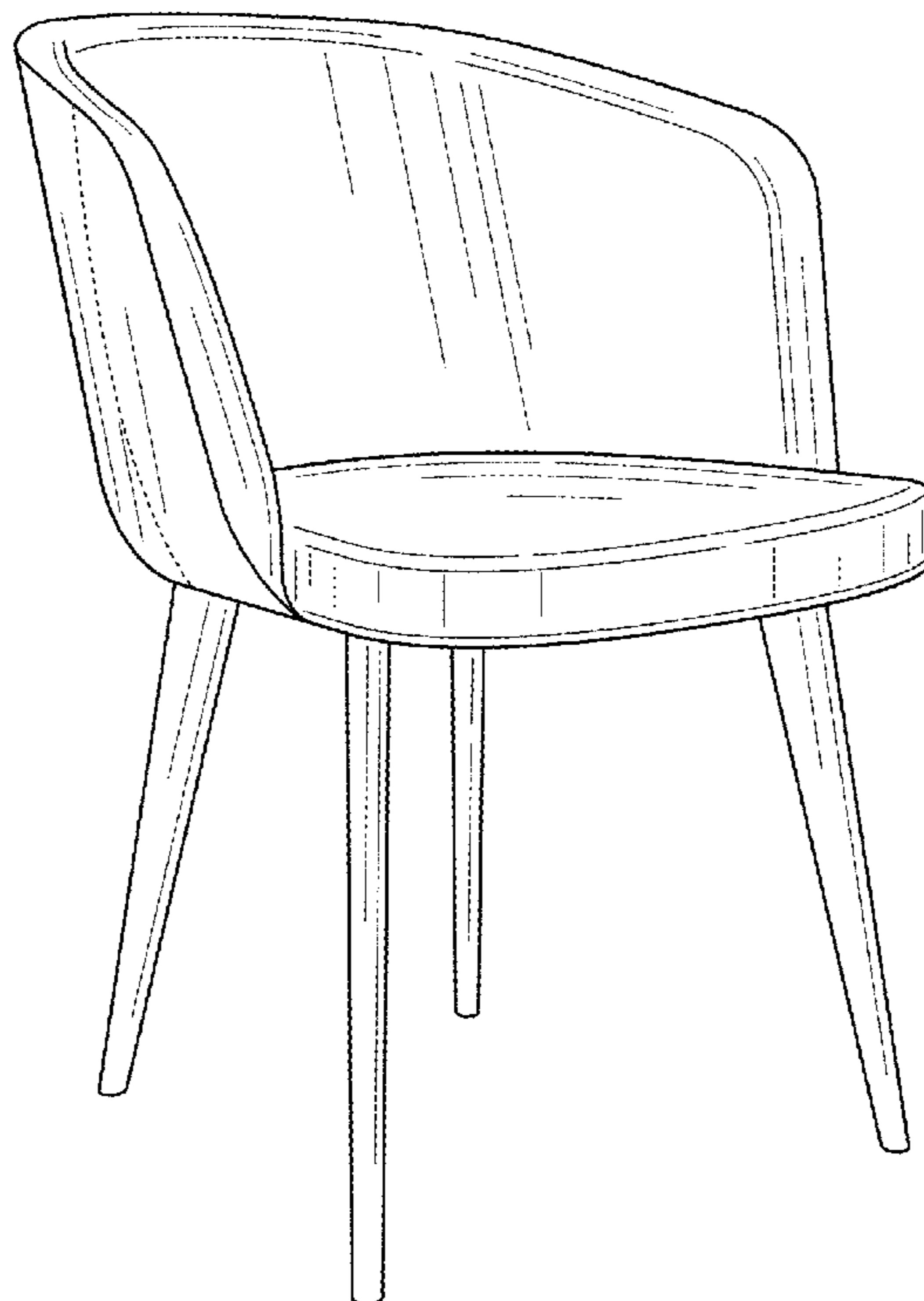
FIG. 1 is a perspective view of the chair;
FIG. 2 is a front elevational view of the chair;
FIG. 3 is a rear elevational view of the chair;
FIG. 4 is a left side elevational view of the chair, the
opposite side of which is a mirror image;
FIG. 5 is a top plan view of the chair; and,
FIG. 6 is a bottom plan view of the chair.
The dashed lines shown in the drawings illustrate stitching,
which forms a part of the claimed design.

(56) **References Cited**

U.S. PATENT DOCUMENTS

2,649,146 A *	8/1953	Sanford	A47C 3/12 297/411.41
D211,463 S *	6/1968	Platner	D6/364

1 Claim, 5 Drawing Sheets



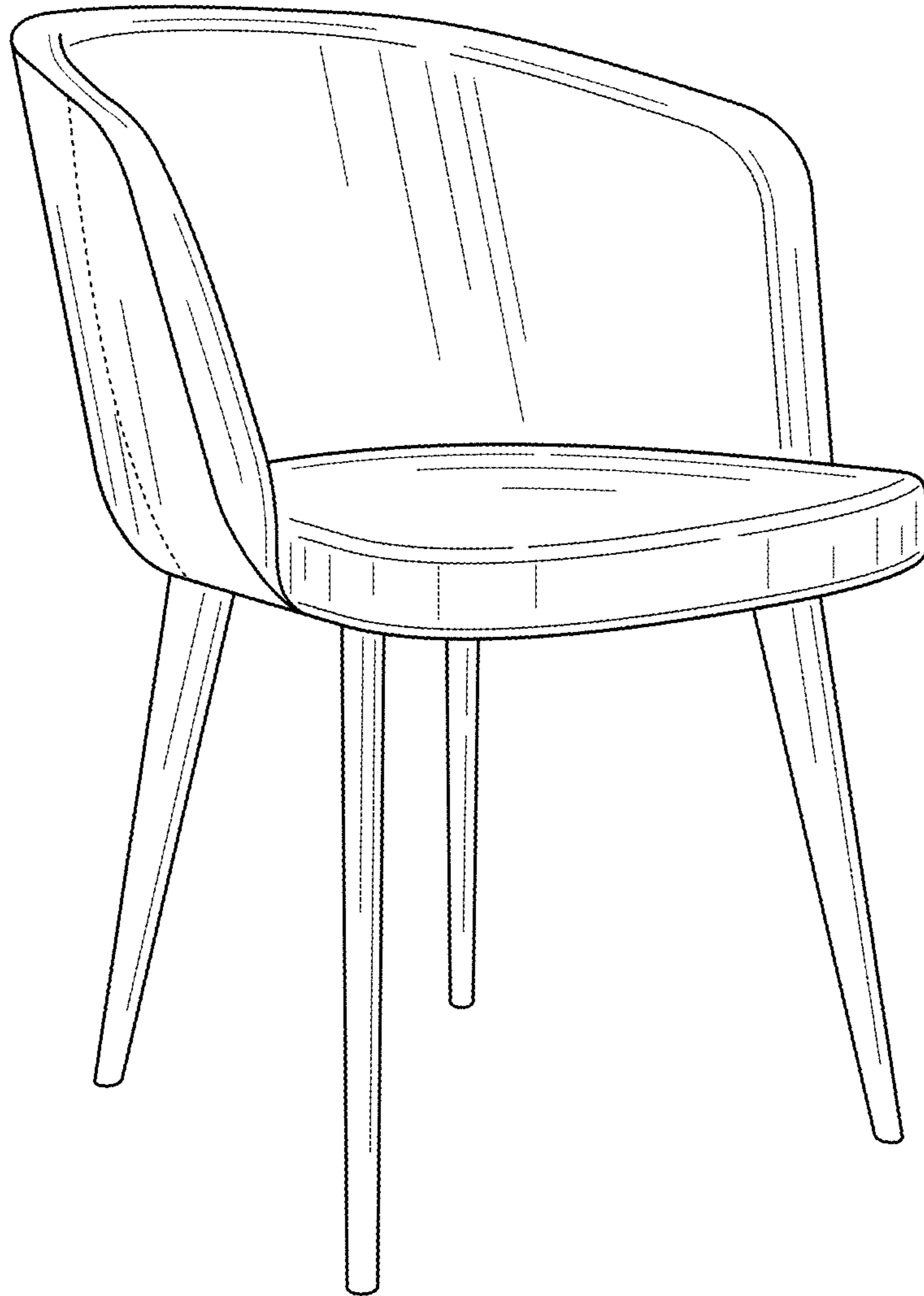


FIG. 1

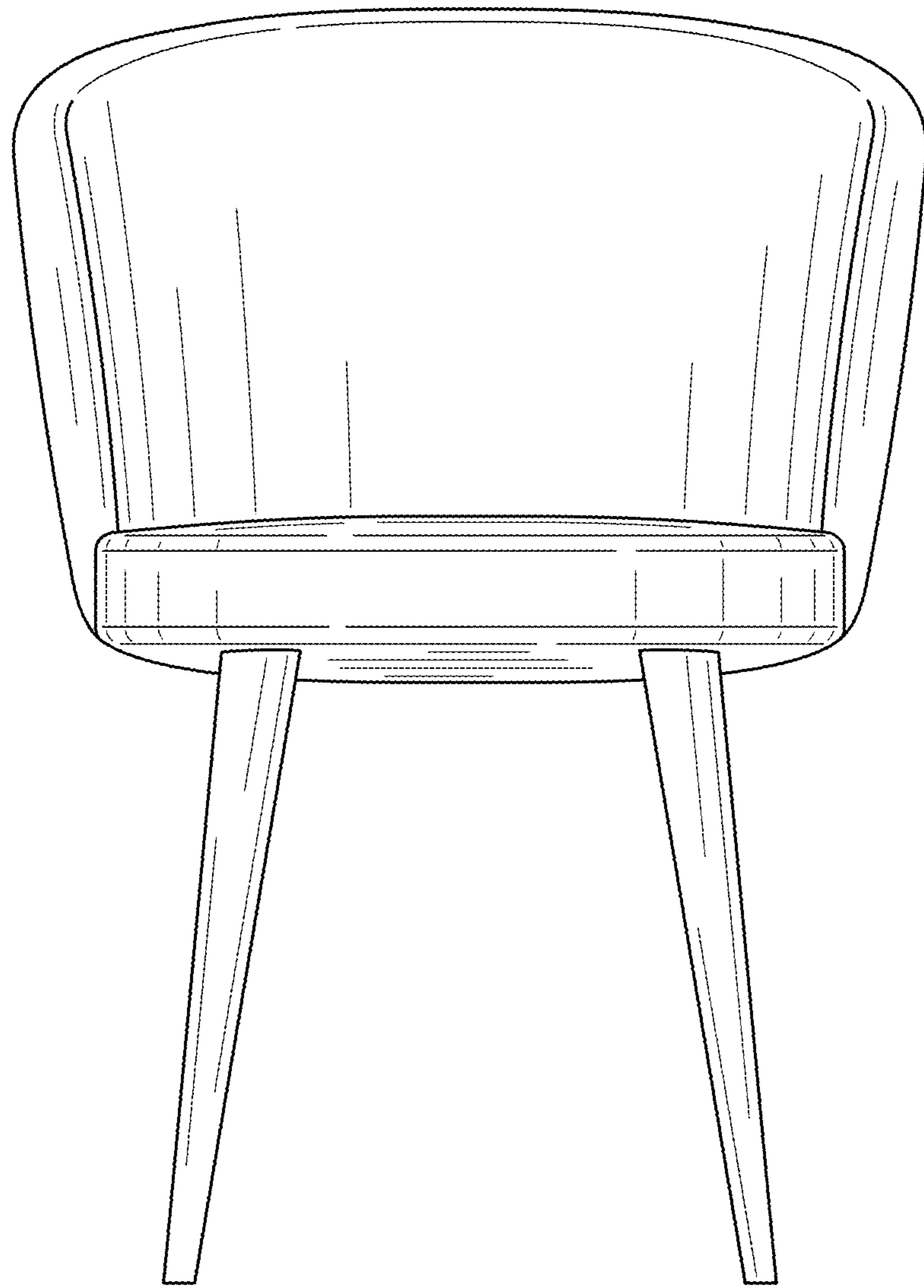


FIG. 2

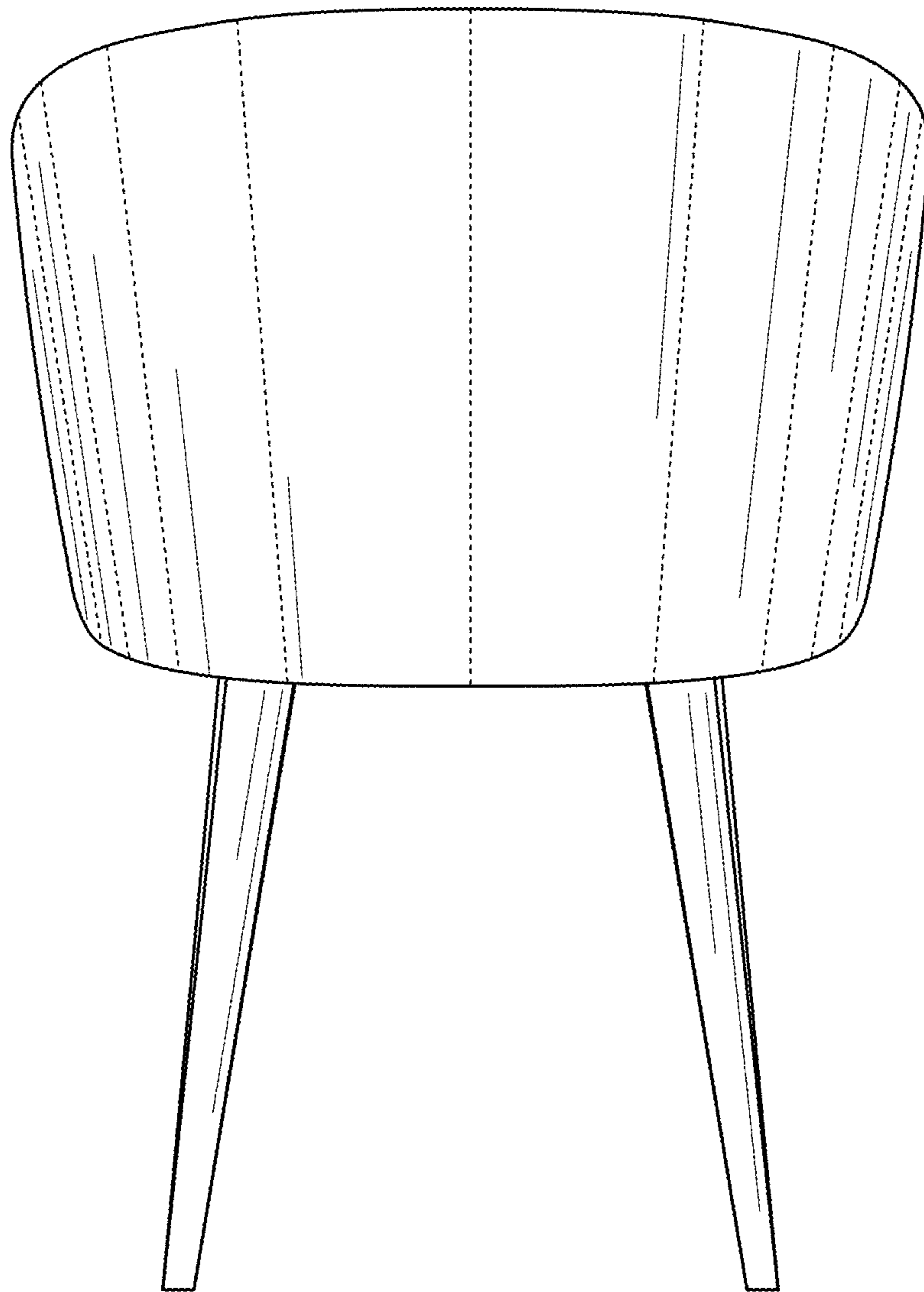


FIG. 3

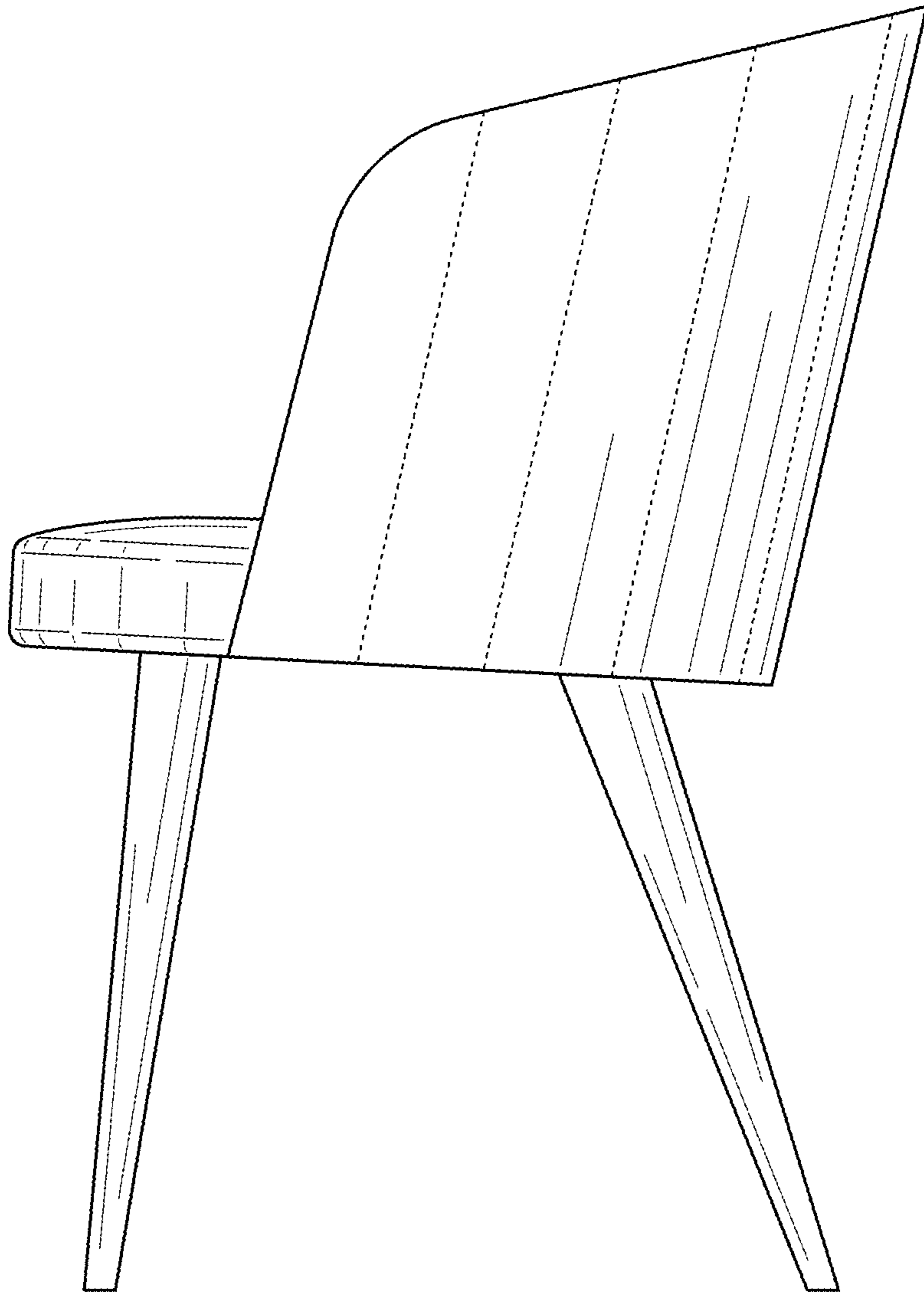


FIG. 4

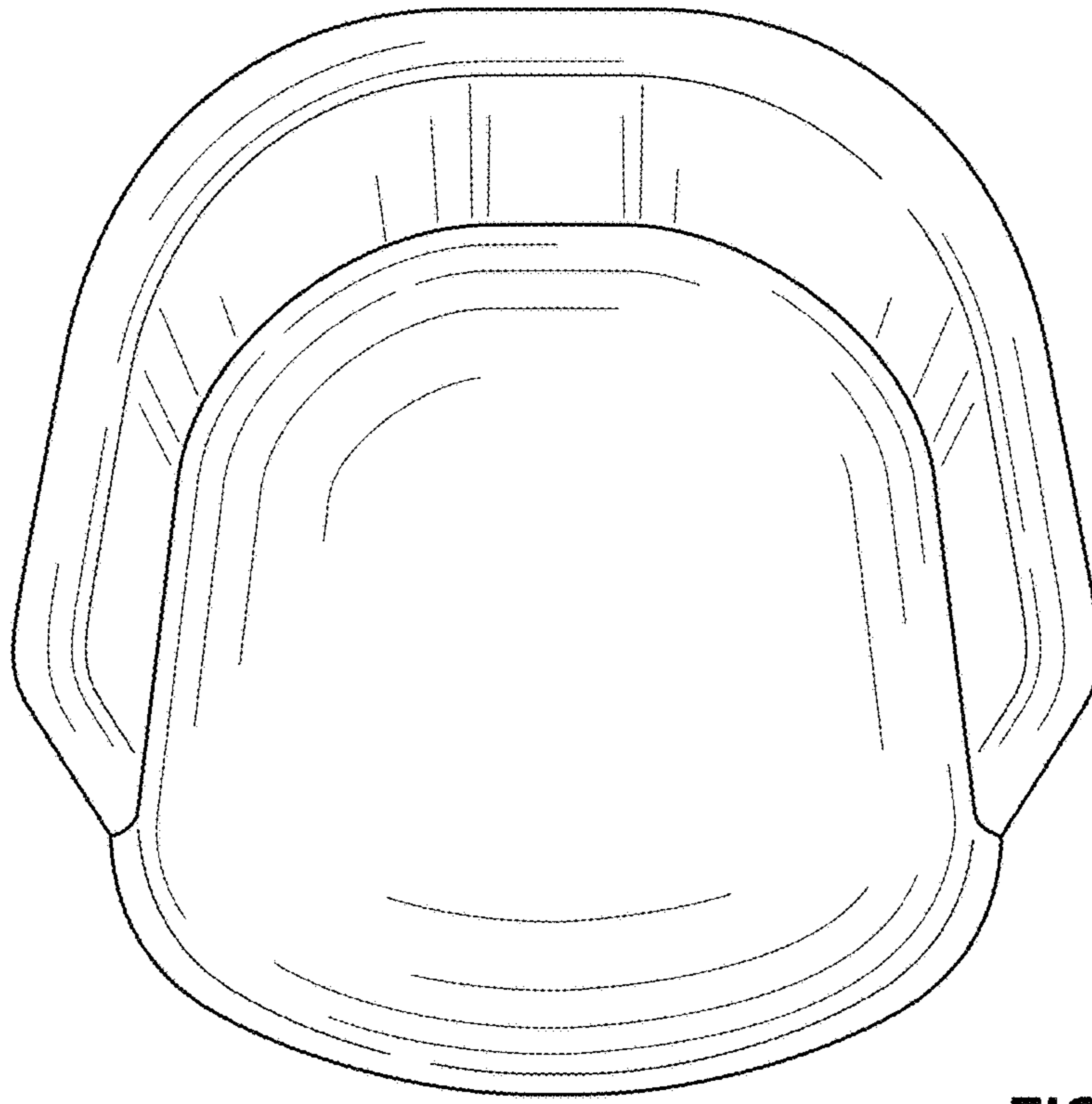


FIG. 5

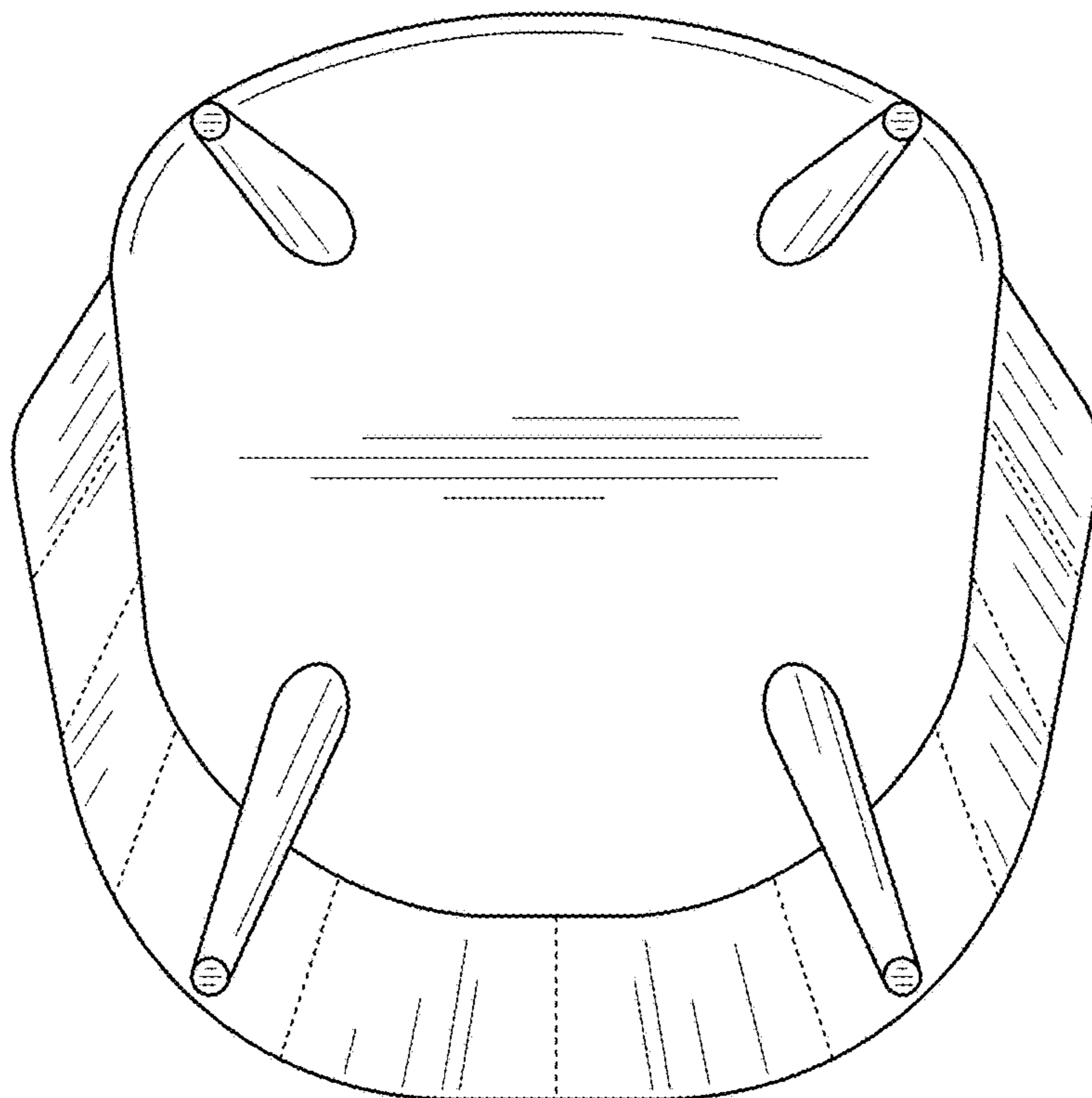


FIG. 6