



US00D815446S

(12) **United States Design Patent**
Jahns

(10) **Patent No.:** **US D815,446 S**

(45) **Date of Patent:** **** Apr. 17, 2018**

- (54) **CHAIR**
- (71) Applicant: **Gecco Vision**, Los Angeles, CA (US)
- (72) Inventor: **Henner Jahns**, Los Angeles, CA (US)
- (73) Assignee: **GECCO VISION**, Los Angeles, CA (US)
- (**) Term: **15 Years**
- (21) Appl. No.: **29/588,314**
- (22) Filed: **Dec. 20, 2016**
- (51) **LOC (11) Cl.** **06-01**
- (52) **U.S. Cl.**
USPC **D6/366**
- (58) **Field of Classification Search**
USPC D6/334-336, 364, 365, 366, 374, 716,
D6/716.1, 716.2, 716.3, 716.4
CPC A47C 1/03; A47C 7/18; A47C 7/24; A47C
7/40; A47C 7/48; A47C 7/543; A47C
7/68; A47C 9/02
See application file for complete search history.

- 4,438,975 A * 3/1984 Williams A47C 1/03
297/411.35
- 4,452,487 A * 6/1984 Plowman A47C 1/03
297/411.35
- D395,173 S * 6/1998 Pate D6/366
- 5,887,948 A * 3/1999 Hannes A47C 9/02
297/411.31
- 6,663,183 B1 * 12/2003 Liao A47C 1/03
297/411.35
- D485,455 S * 1/2004 Petruccelli D6/364
- 6,877,812 B2 * 4/2005 Congleton A47C 7/40
297/353

* cited by examiner

Primary Examiner — Mimosa De

(74) *Attorney, Agent, or Firm* — Ursula B. Day

(57) **CLAIM**

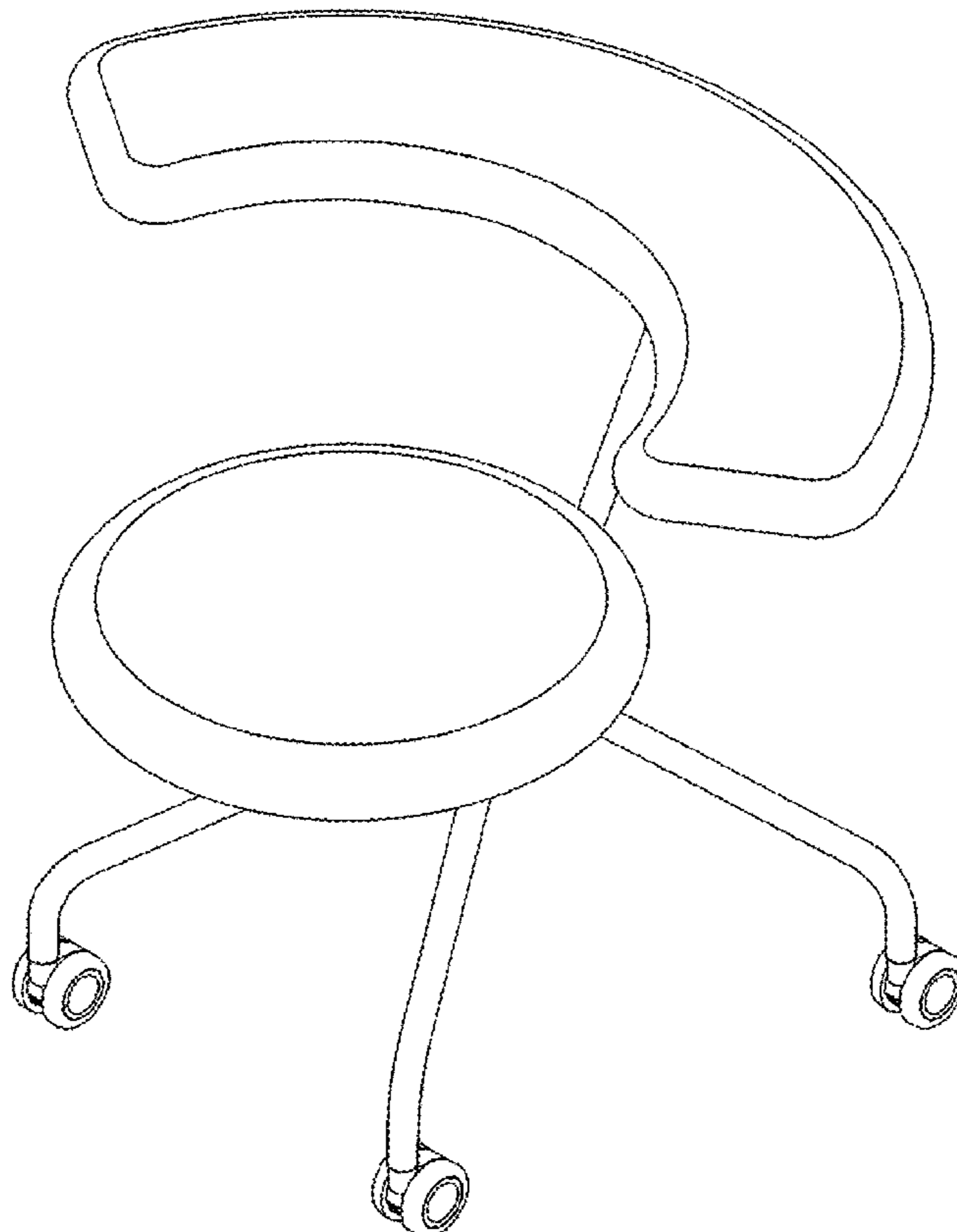
The ornamental design for the chair, as shown and described.

DESCRIPTION

FIG. 1 is a front elevational view of a chair showing my new design;
 FIG. 2 is a rear elevational view thereof;
 FIG. 3 is a top elevational view thereof;
 FIG. 4 is a right side elevational view thereof, the left side being a mirror image thereof; and,
 FIG. 5 is a front left side perspective view thereof.

1 Claim, 5 Drawing Sheets

- (56) **References Cited**
U.S. PATENT DOCUMENTS
- 4,085,967 A * 4/1978 Spencer A47C 9/02
297/115
- 4,429,918 A * 2/1984 Alsup, Jr. A47C 7/48
297/353



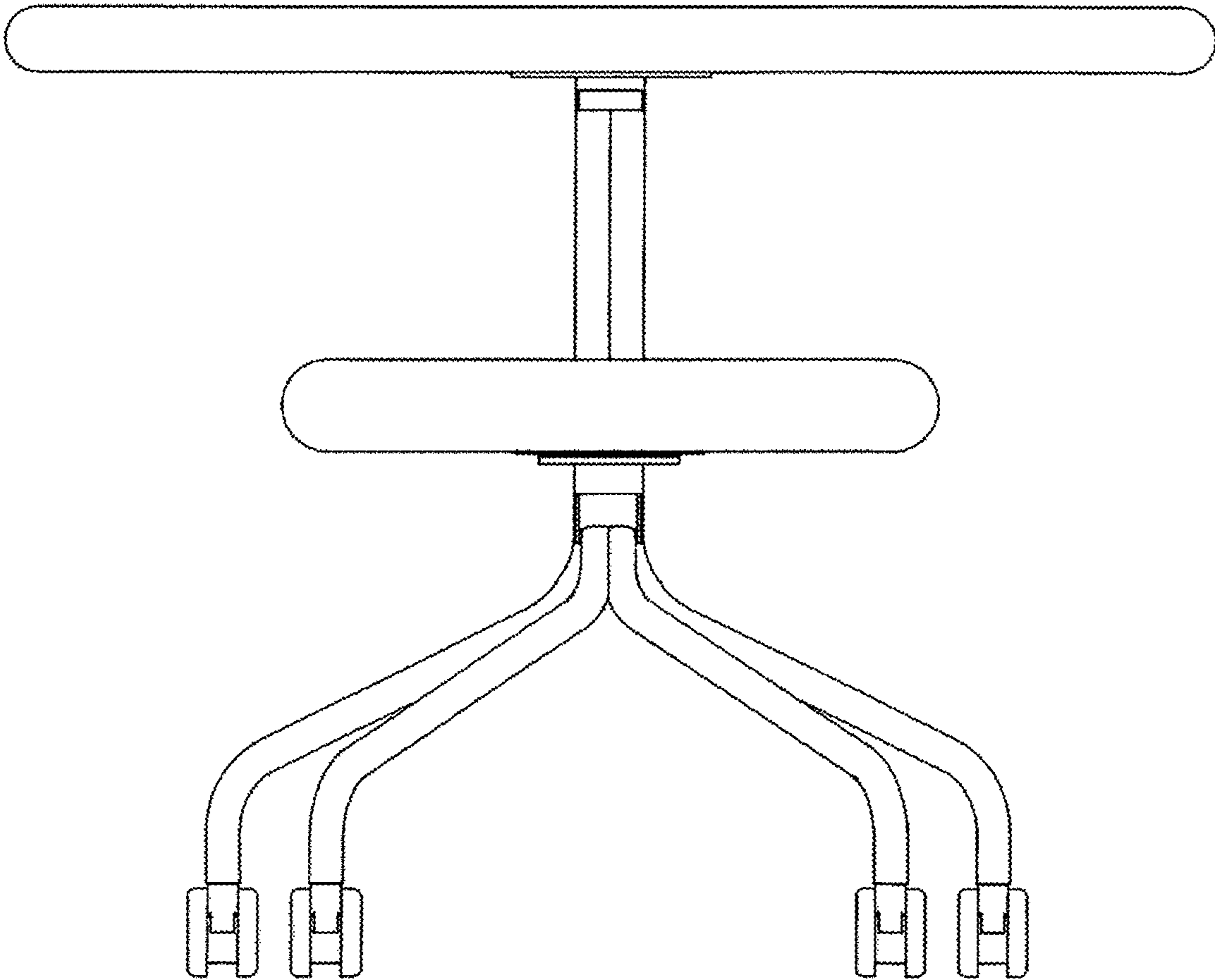


FIG. 1

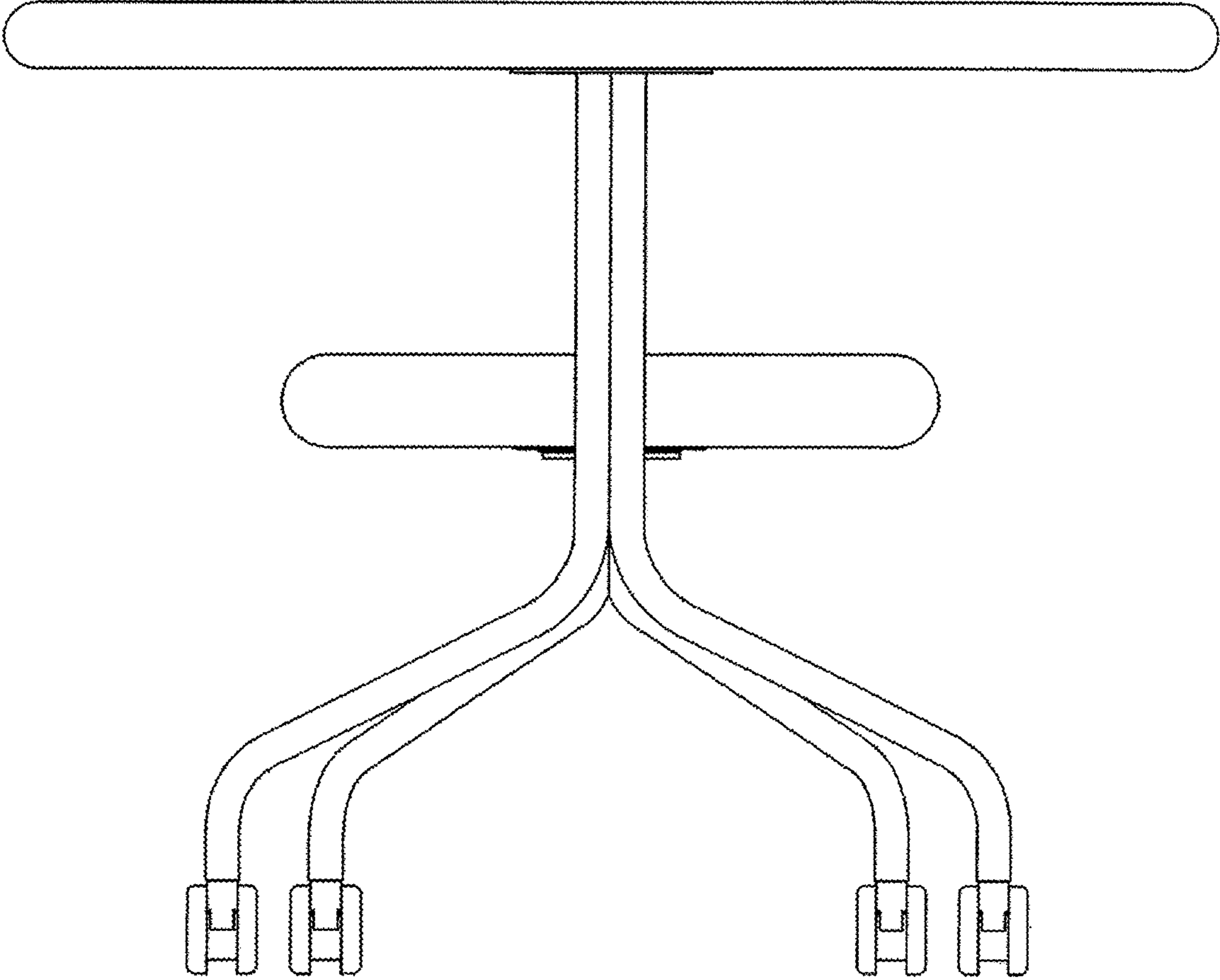


FIG. 2

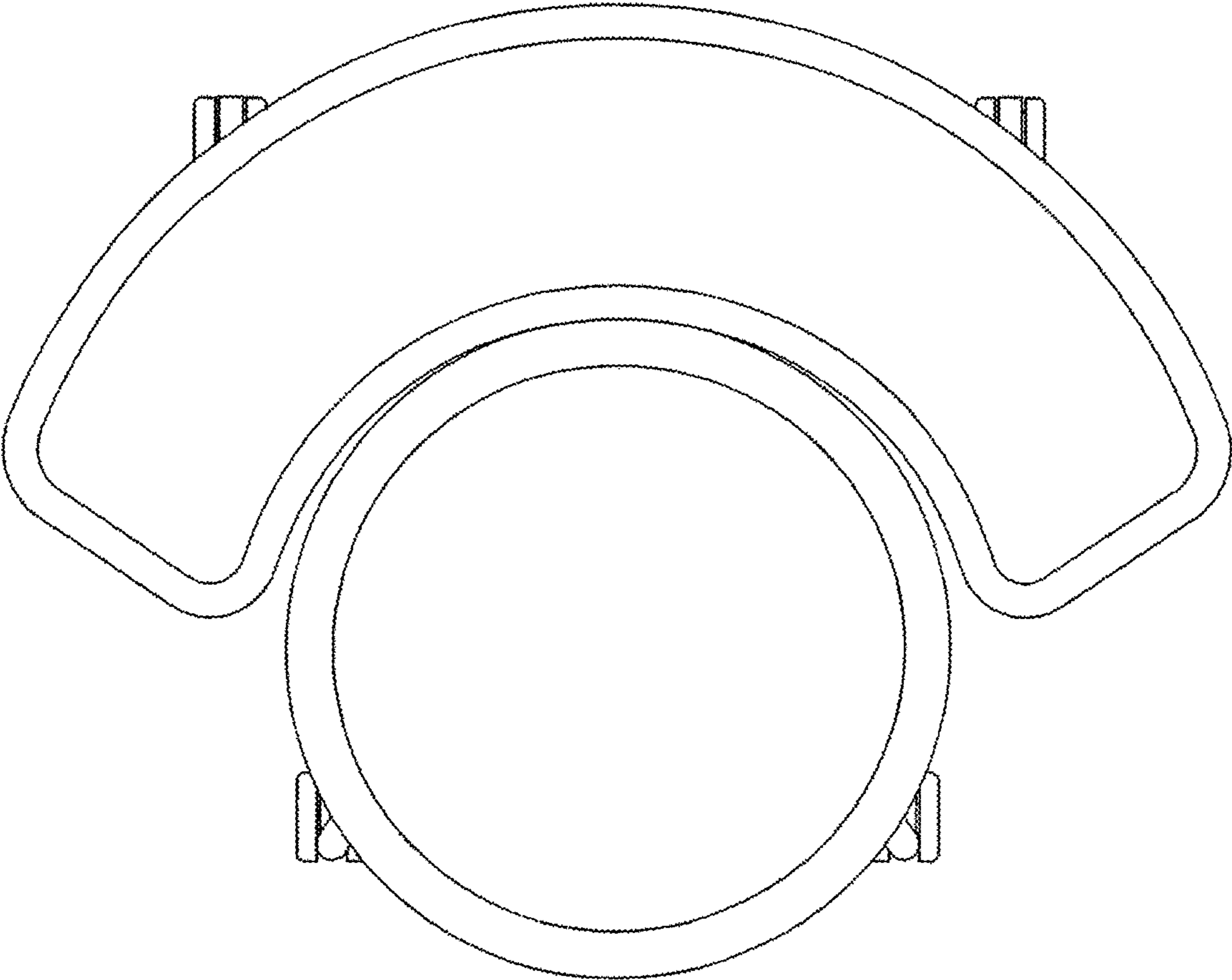


FIG. 3

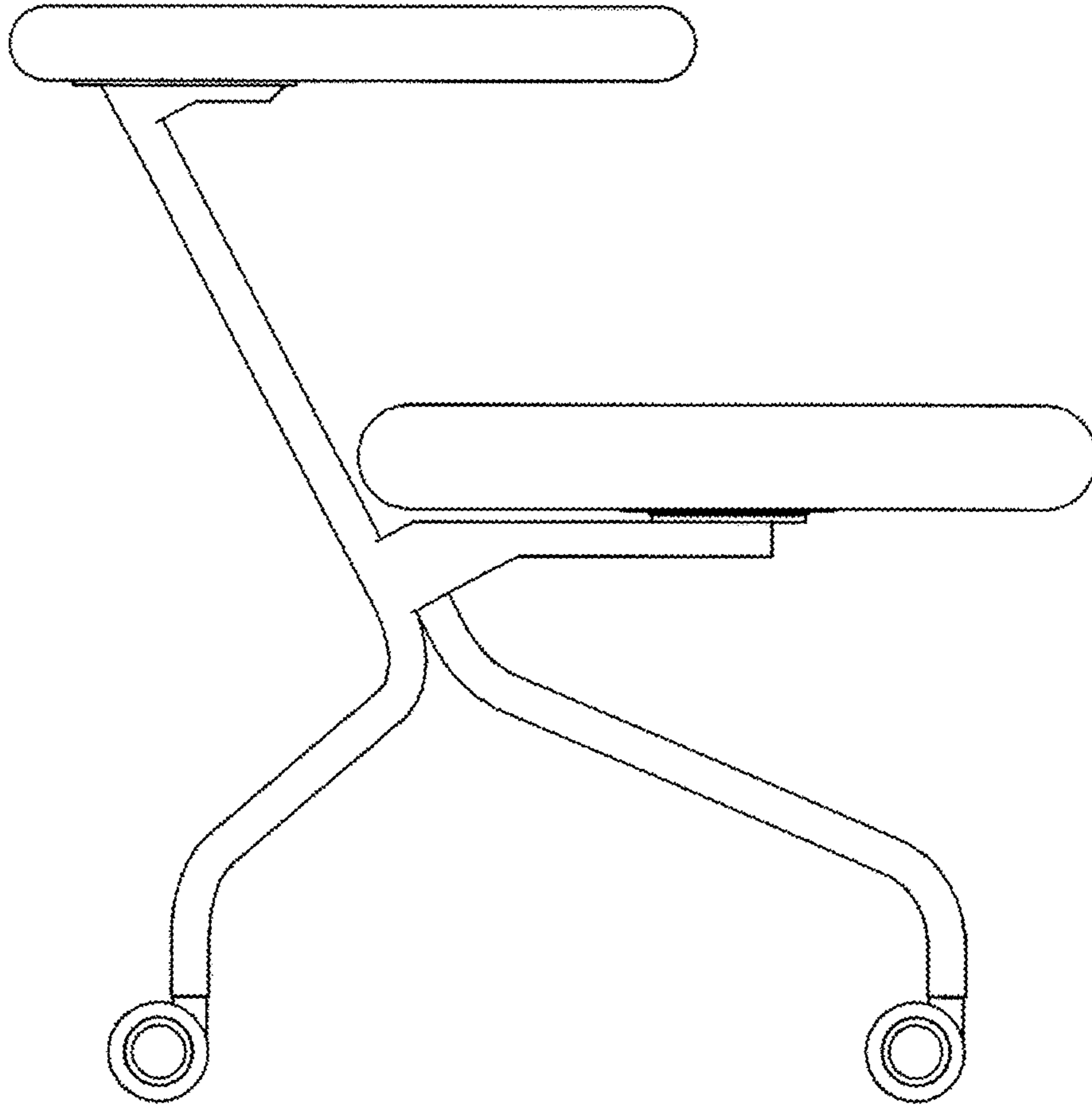


FIG. 4

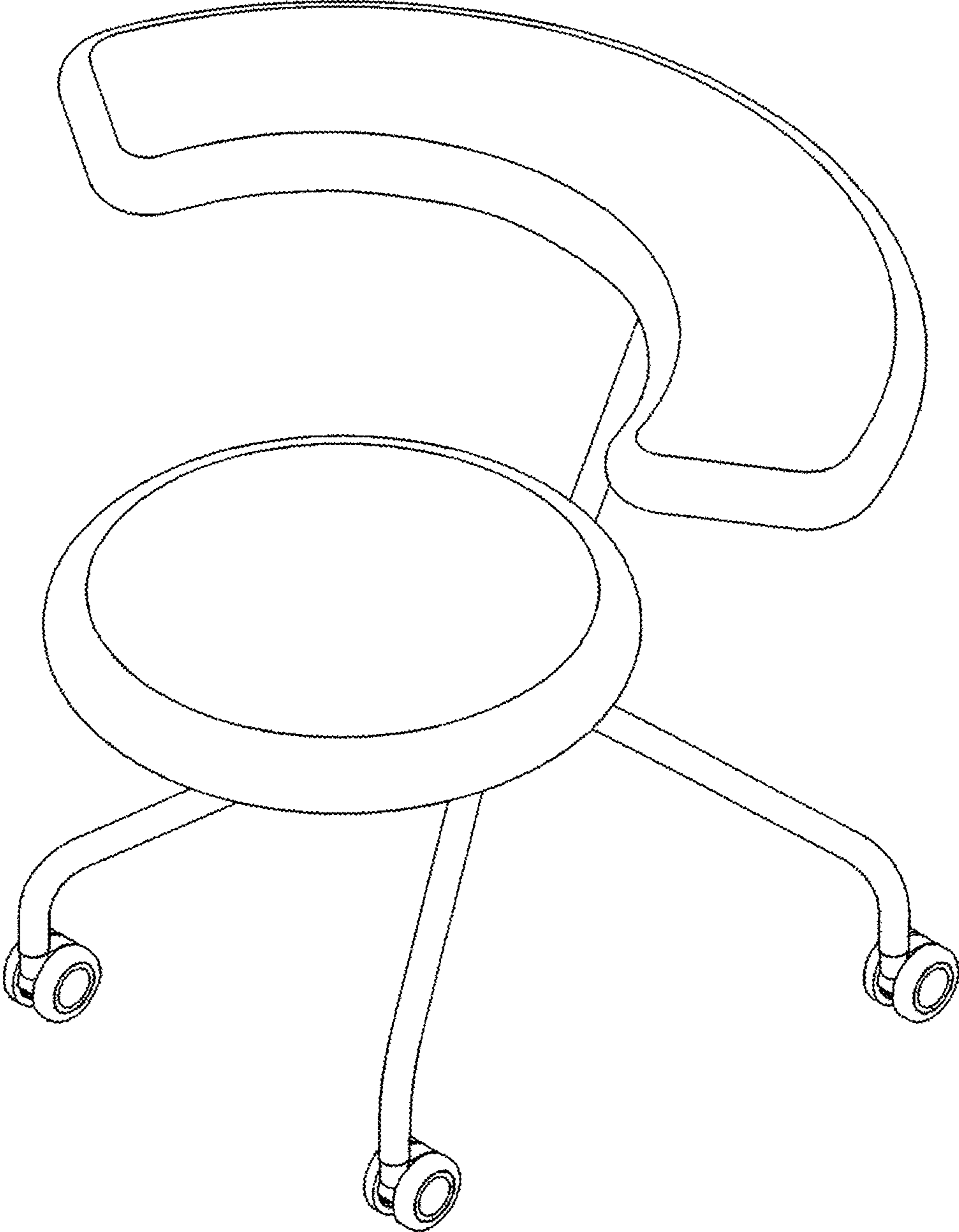


FIG. 5