



US00D815445S

(12) **United States Design Patent**  
**Longo**

(10) **Patent No.:** **US D815,445 S**  
(45) **Date of Patent:** **\*\* Apr. 17, 2018**

- (54) **SILHOUETTE SLATTED SEAT**
- (71) Applicant: **Seachrome Corporation**, Long Beach, CA (US)
- (72) Inventor: **Samuel Colavin Longo**, La Canada, CA (US)
- (73) Assignee: **Seachrome Corporation**, Long Beach, CA (US)
- (\*\*) Term: **15 Years**
- (21) Appl. No.: **29/588,992**
- (22) Filed: **Dec. 27, 2016**
- (51) **LOC (11) Cl.** ..... **06-01**
- (52) **U.S. Cl.**  
USPC ..... **D6/362**
- (58) **Field of Classification Search**  
USPC ..... D6/334-336, 355, 362, 368, 370, 716, D6/716.1, 716.4; D23/304  
CPC .. A47C 4/28; A47C 5/004; A47C 9/06; A47K 3/12; A47K 3/122; A47K 3/282; E04H 4/14  
See application file for complete search history.

- D571,112 S 6/2008 Henderson
- 8,123,271 B1 2/2012 Wimberley
- D713,161 S 9/2014 Nelson
- D727,046 S 4/2015 Alexander
- D727,047 S 4/2015 Alexander
- D737,087 S 8/2015 Wood

**OTHER PUBLICATIONS**

“18 inch Serena Seat Foldable Shower Seat”, ArthritisSupplies.com, <http://www.arthritisupplies.com/serena-seat-foldable-shower-seat.html>, screen capture Nov. 11, 2014.  
 “Marion Folding Shower Seat with Backrest—Off-White”, Signature Hardware, <http://www.signaturehardware.com/bathroom/bathroom-accessories/shower-seats-and-stools/marion-folding-shower-seat-with-backrest-off-white.html>, screen capture Nov. 11, 2014.  
 “Moen DN7110 Home Care Fold Down Shower Seat”, Amazon.com, <http://www.amazon.com/Moen-DN7110-Home-Care-Shower/dp/B005MTSRAE>, screen capture Nov. 11, 2014.  
 “The Compact”, Oyster, screen capture Nov. 11, 2014.

*Primary Examiner* — Mimosa De  
 (74) *Attorney, Agent, or Firm* — Fish IP Law, LLP

(57) **CLAIM**

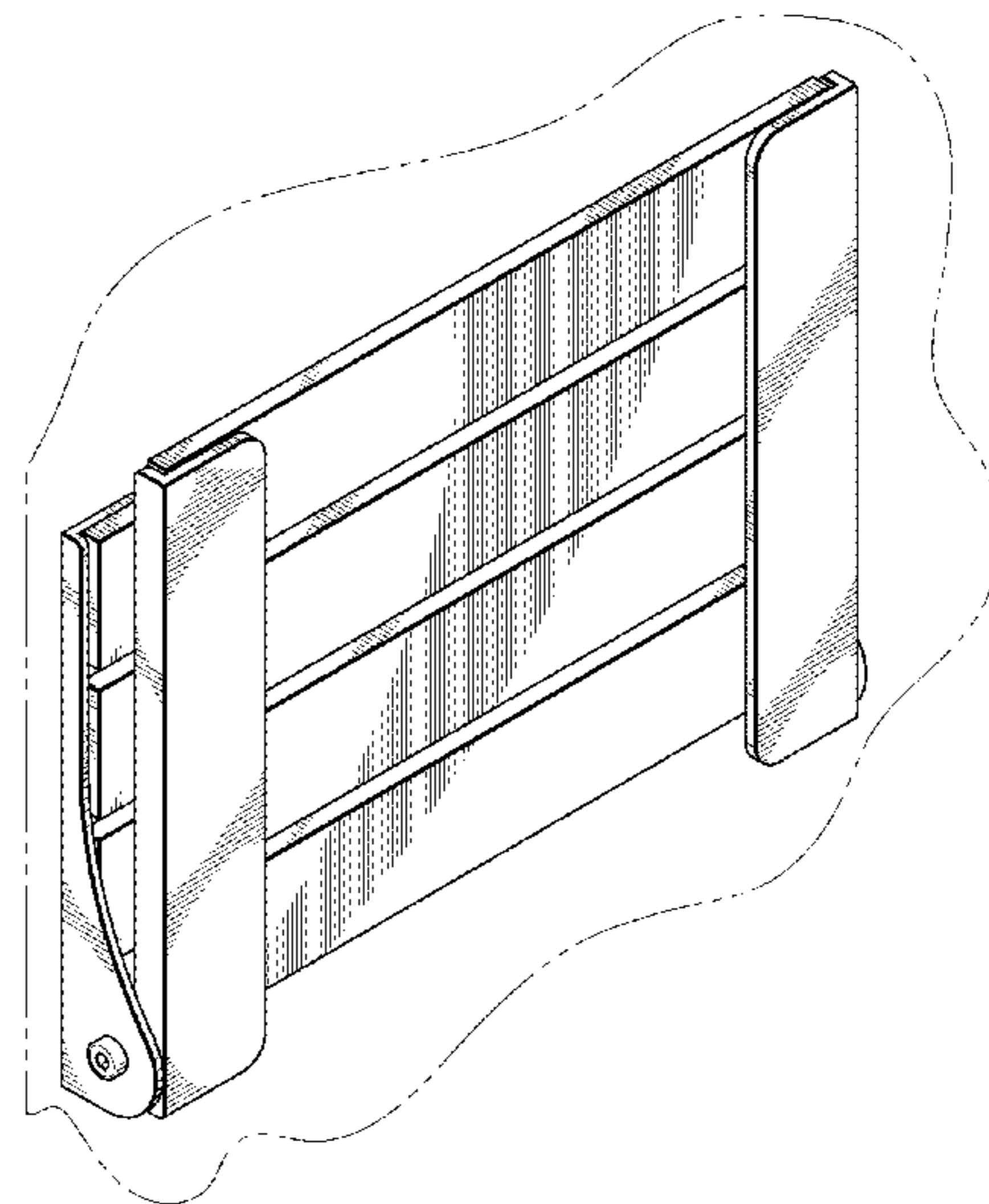
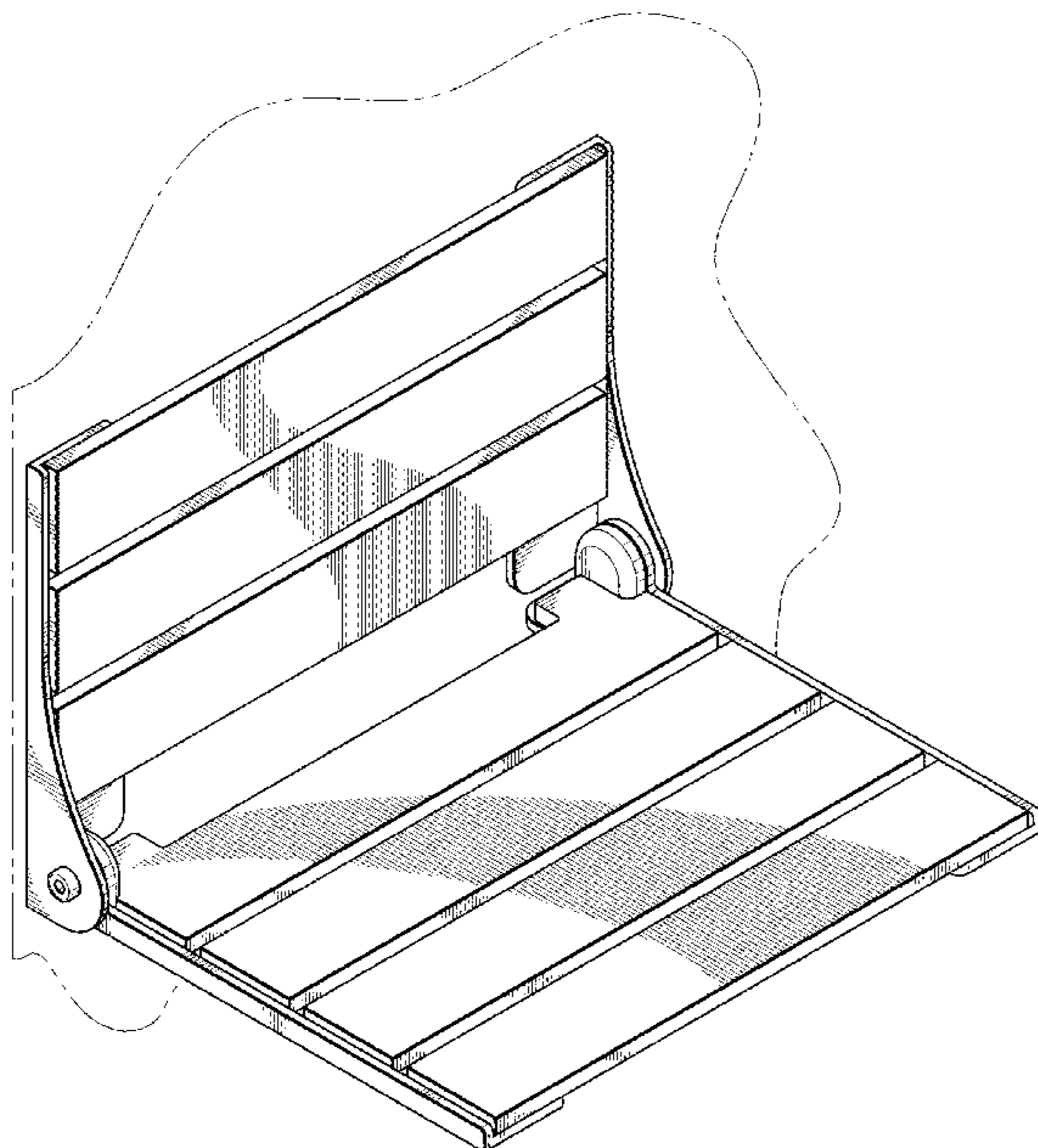
The ornamental designs of a silhouette slatted seat, as shown and described.

**DESCRIPTION**

FIG. 1 is a top, front, left side perspective view of a silhouette slatted seat of the new design.  
 FIG. 2 is a top plan view thereof.  
 FIG. 3 is a front elevation view thereof.  
 FIG. 4 is a rear elevation view thereof.  
 FIG. 5 is a bottom plan view thereof.  
 FIG. 6 is a right side elevation view thereof, the left side elevation view being a mirror image; and,  
 FIG. 7 is a top, front, left side perspective view thereof, with the seat bottom shown in a folded up position.

**1 Claim, 5 Drawing Sheets**

- (56) **References Cited**  
U.S. PATENT DOCUMENTS
- 2,792,053 A 5/1957 Krusman
- 3,026,142 A 3/1962 Hollowya
- D212,226 S 9/1968 Archer
- D252,658 S 8/1979 Kressin
- 4,775,182 A 10/1988 Von Hoffman
- 5,967,255 A 10/1999 Young
- D425,716 S 5/2000 Jansen
- D468,548 S 1/2003 Head, Jr. et al.
- D495,511 S 9/2004 Dingess
- D509,372 S 9/2005 King



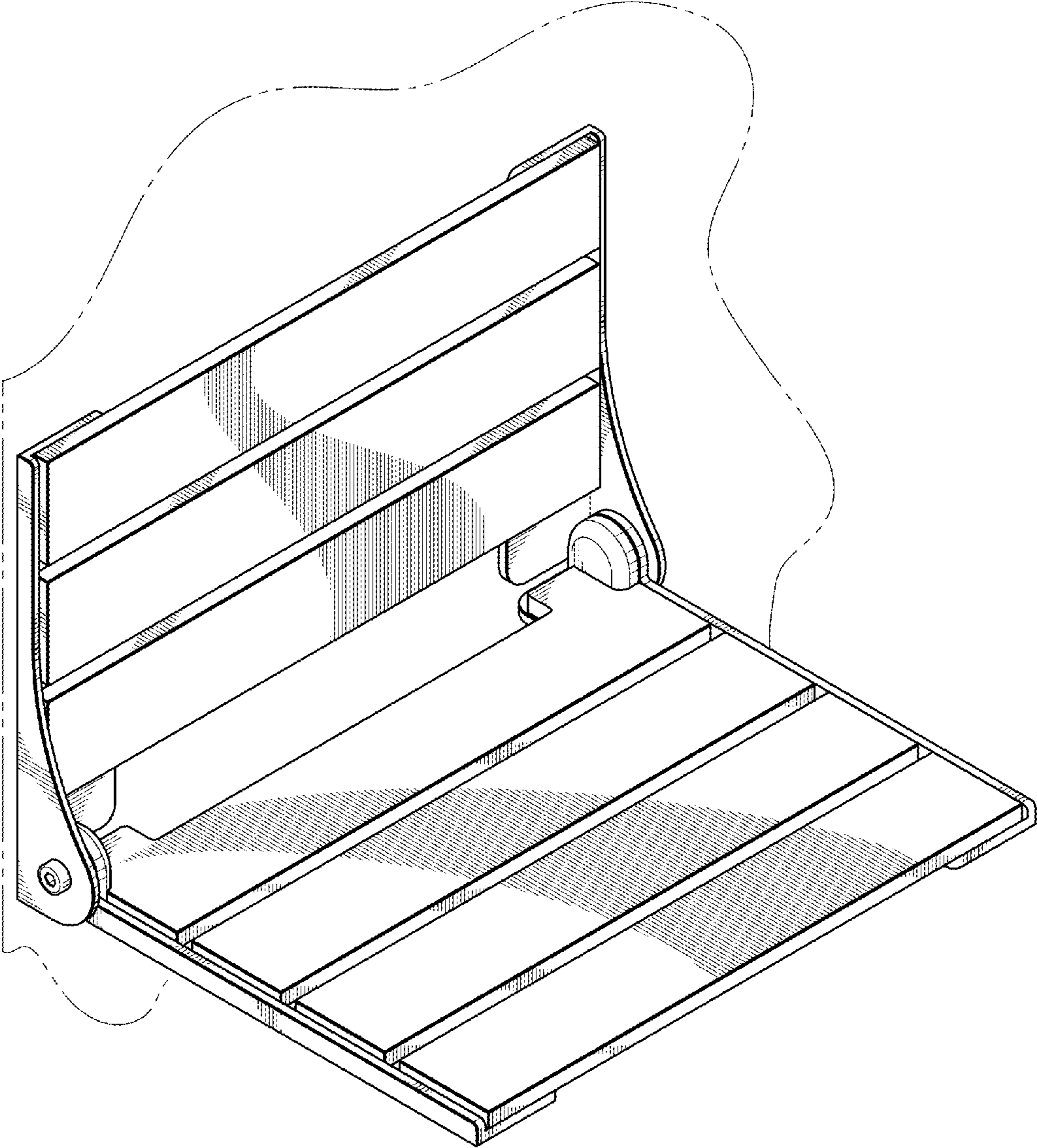


FIG. 1

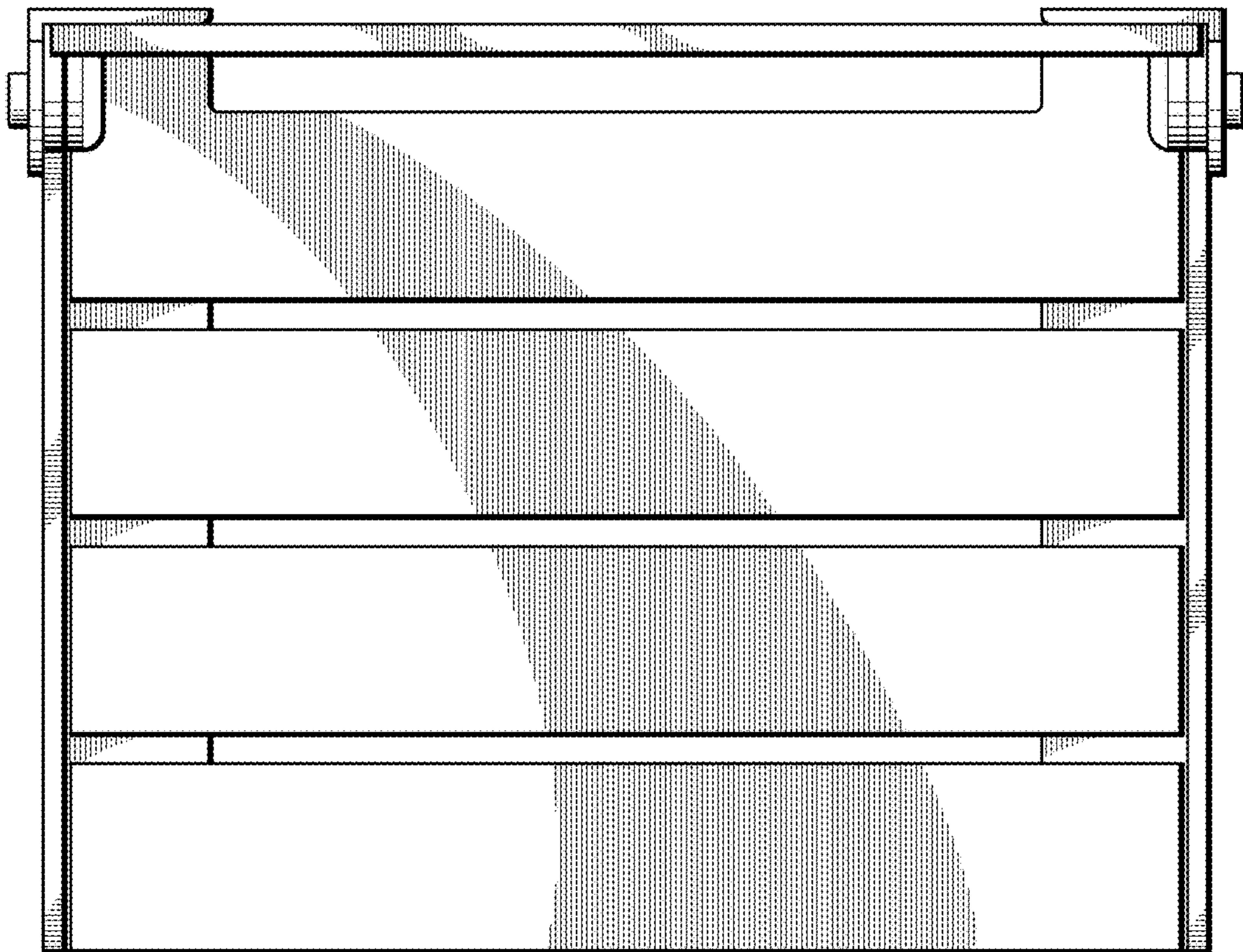


FIG. 2

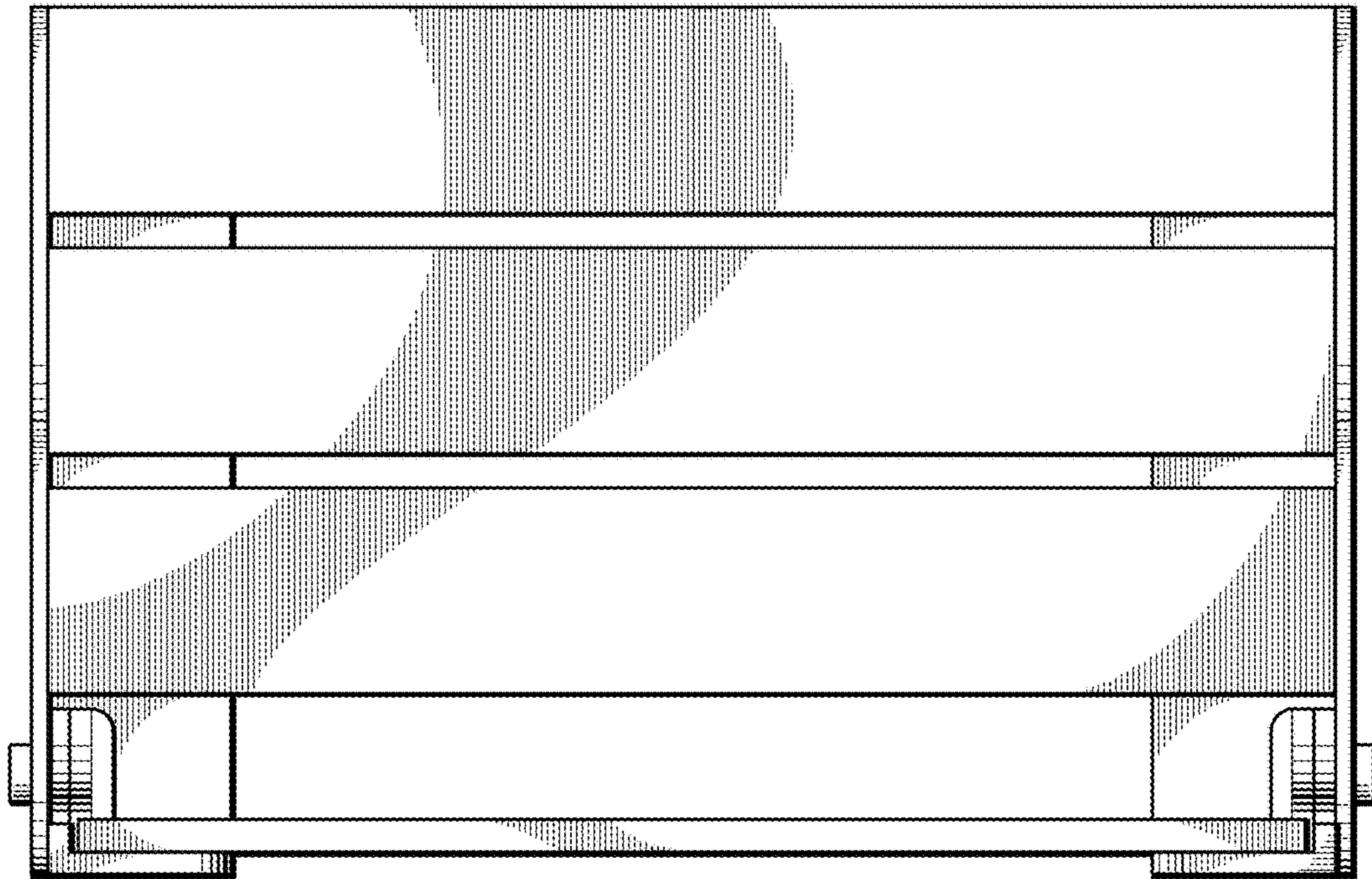
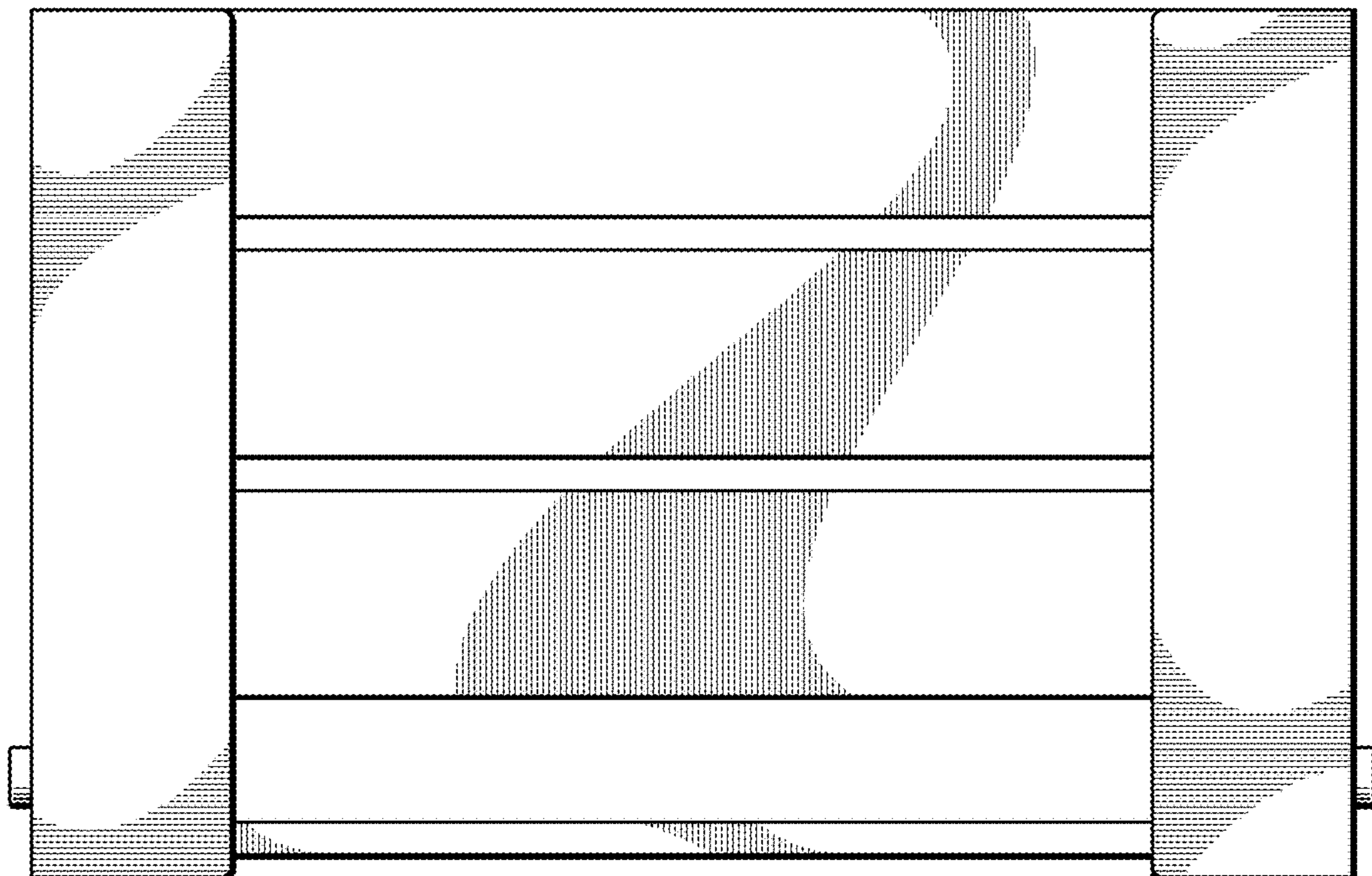


FIG. 3

FIG. 4



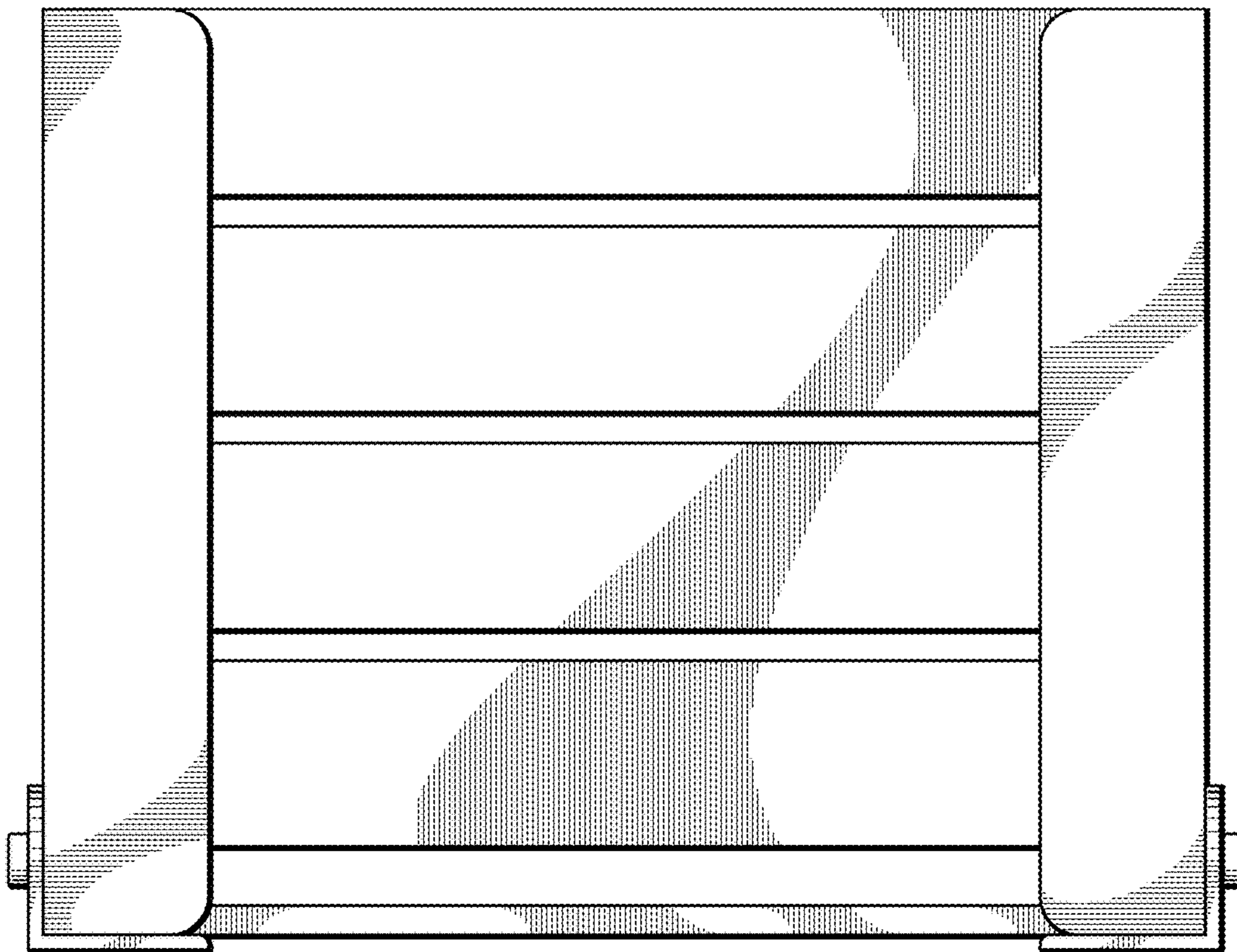


FIG. 5

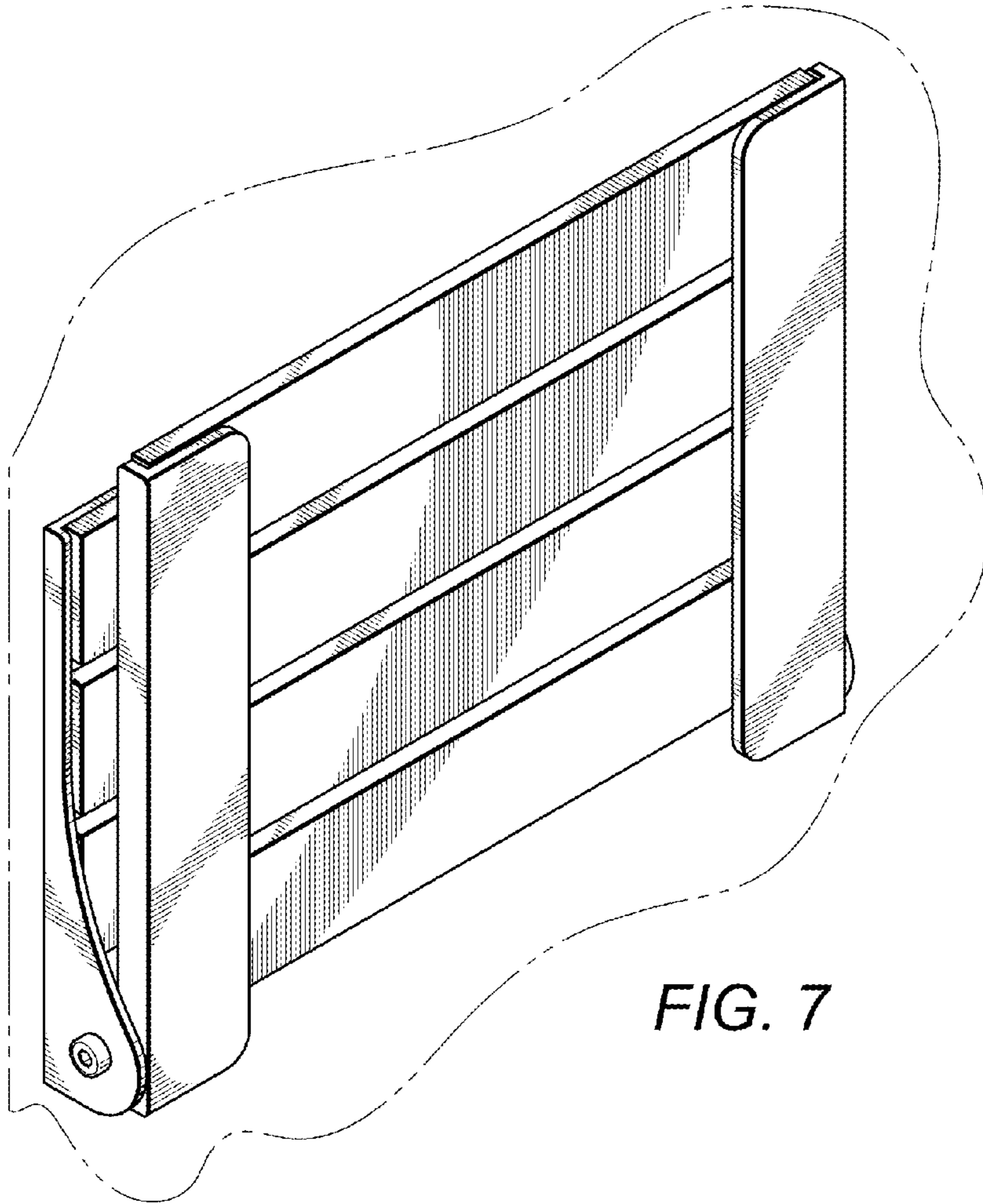


FIG. 7

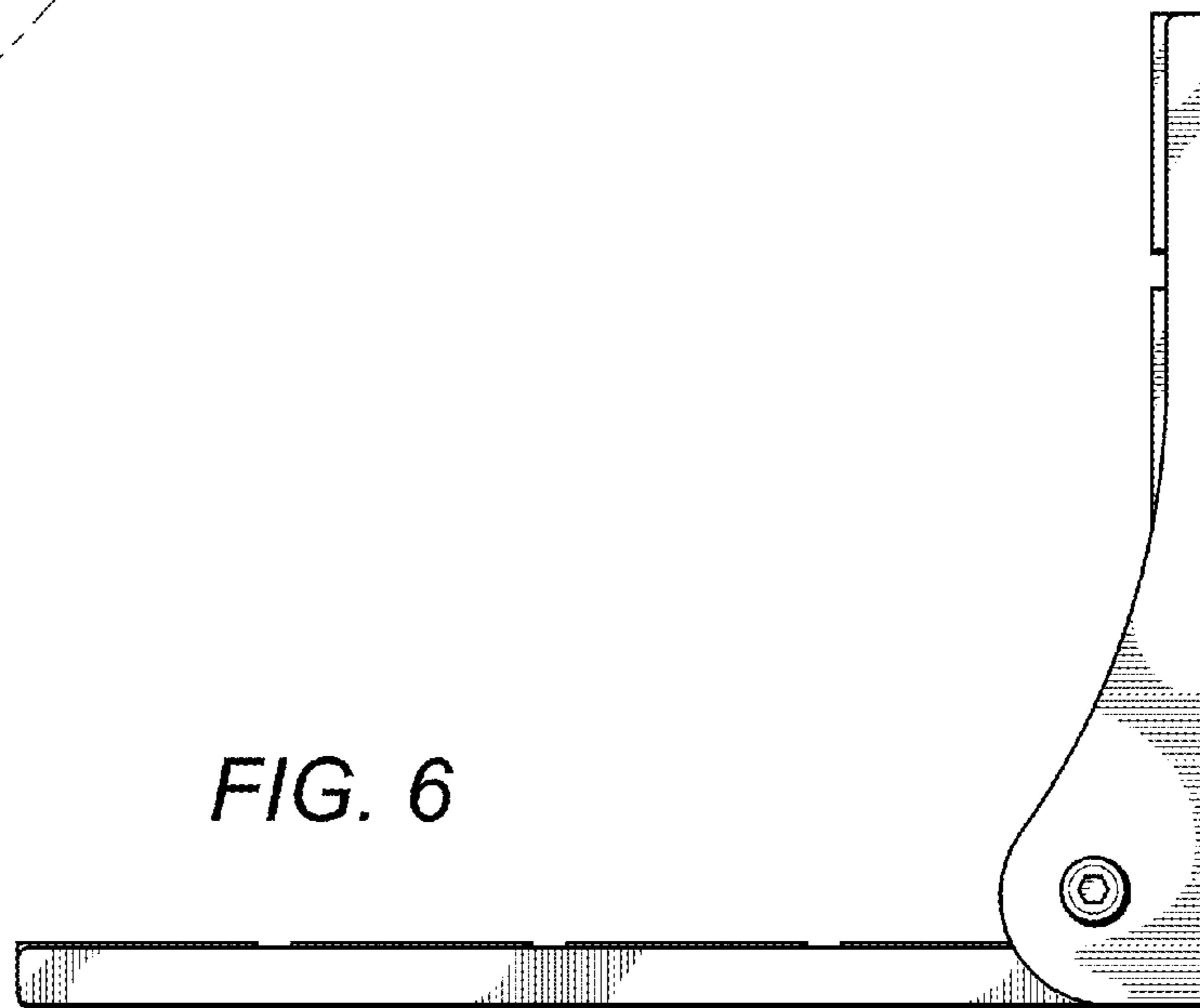


FIG. 6